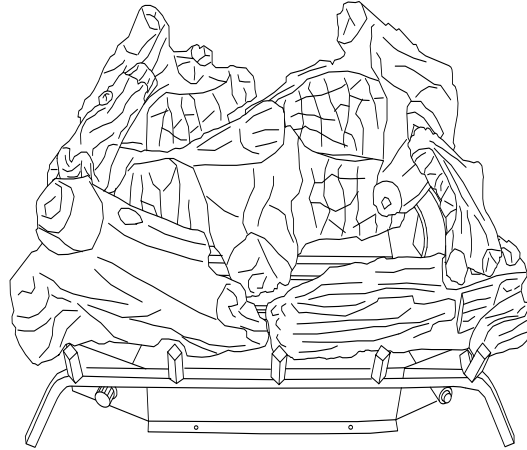




**WARNING:** This appliance is equipped for (Natural and Propane) gas. Field conversion is not permitted other than between natural or propane gases.

**VENT FREE GAS LOG**  
MODEL #PCDS24RT

HEATER IS PRESET FOR PROPANE AT FACTORY SEE INSTALLATION INSTRUCTIONS FOR NATURAL GAS HOOK UP



**⚠ CAUTION - FOR YOUR SAFETY**

**⚠ WARNING:** IF THE INFORMATION IN THIS MANUAL IS NOT FOLLOWED EXACTLY, A FIRE OR EXPLOSION MAY RESULT CAUSING PROPERTY DAMAGE, PERSONAL INJURY, OR LOSS OF LIFE.

– Do not store or use gasoline or other flammable vapors and liquids in vicinity of this or any other appliance.

**WHAT TO DO IF YOU SMELL GAS**

- Do not try to light any appliance.
- Do not touch any electrical switch; do not use any phone in your building.
- Immediately call your gas supplier from a neighbor's phone. Follow the gas supplier's instructions.
- If you cannot reach your gas supplier, call the fire department.

– Installation and service must be performed by a qualified installer, service agency or the gas supplier.

This is an unvented gas-fired heater. It uses air (oxygen) from the room in which it is installed. Provisions for adequate combustion and ventilation air must be provided. Refer to *Air For Combustion and Ventilation* section on page 8 of this manual.

**INSTALLER:** Leave this manual with the appliance. **CONSUMER:** Retain this manual for future reference.

This appliance may be installed in an aftermarket, permanently located manufactured (mobile) home, where not prohibited by local codes. This appliance is only for use with propane or natural gas. This appliance is equipped with a simple means to switch between propane and natural gas. Field conversion by any other means including the use of a kit is not permitted.



Questions about installation, operation, or troubleshooting? Before returning to your retailer, contact our customer service department at 1-877-886-5989, 8:00 a.m.- 4:30p.m., EST, Monday-Friday or e-mail [customerservice@usaprocom.com](mailto:customerservice@usaprocom.com).

## TABLE OF CONTENTS

---

Safety Information.....	3
Product Features.....	6
Air For Combustion and Ventilation.....	8
Installation .....	11
Installing Logs.....	20
Operation.....	22
Care and Maintenance.....	28
Troubleshooting.....	30
Replacement Parts.....	33

**⚠ WARNING:** Read the installation & operation instructions before using this appliance.

**IMPORTANT:** Read instructions and warnings carefully before starting installation. Failure to follow these instructions may result in a possible fire hazard and will void the warranty.

## PRODUCT SPECIFICATIONS

ITEM #	VENT FREE GAS LOG	
Input Rating	34,000 BTU/Hr	34,000 BTU/Hr
Gas Type	Natural	LP/Propane
Ignition	Electronic Piezo	Electronic Piezo
Manifold Pressure	4 in. W.C.	9 in. W.C.
Inlet Gas Pressure	*For purposes of input adjustment	
Maximum	10.5 in. W.C.	14 in. W.C.
Minimum*	5 in. W.C.	11 in. W.C.

## SAFETY INFORMATION

---

**IMPORTANT:** Read this owner's manual carefully and completely before trying to assemble, operate, or service this heater. Improper use of this heater can cause serious injury or death from burns, fire, explosion, electrical shock, and carbon monoxide poisoning.

Only a qualified installer, service agent, or local gas supplier may install and service this product.

**⚠ WARNING:** Do not store or use gasoline or other flammable vapors or liquids in the vicinity of this or any other appliance.

**⚠ WARNING:** This appliance can be used with propane or natural gas. It is shipped from the factory adjusted for use with propane.

**CARBON MONOXIDE POISONING:** Early signs of carbon monoxide poisoning resemble the flu with headaches, dizziness, or nausea. If you have these signs, the heater may not be working properly. Get fresh air immediately! Have heater serviced. Some people are more affected by carbon monoxide than others. These include pregnant women, people with heart or lung disease, people who are anemic, those under the influence of alcohol, and those living in high altitudes.

**NATURAL AND PROPANE/LP GAS:** Natural and Propane/LP gases are odorless. An odor-making agent is added to the gas. The odor helps you detect a gas leak. However, the odor added to the gas can fade. Gas may be present even though no odor exists. Make certain you read and understand all warnings. Keep this manual for reference. It is your guide to operating this heater safely.

**⚠ WARNING:** Any change to this heater or its controls can be dangerous.

**⚠ WARNING:** Do not allow fans to blow directly into heater. Avoid any drafts that alter burner flame patterns.

**⚠ WARNING:** Do not use a blower insert, heat exchange insert or other accessory not approved for use with this heater.

Due to high temperatures, the appliance should be located out of traffic and away from furniture and draperies. Do not place clothing or other flammable material on or near the appliance. The log set becomes very hot while running heater. Keep children and adults away from the hot surface to avoid burns or clothing ignition. Heater will remain hot for a short time after shut off. Allow surface to cool before touching.

**⚠ WARNING:** Carefully supervise young children when they are in the same room with the heater.

**⚠ WARNING:** Make sure a fireplace screen is in place before running the log set.

**⚠ WARNING:** Do not install in bedrooms or bathrooms.

**⚠ WARNING:** Keep the appliance area clear and free from combustible materials, gasoline, and other flammable vapors and liquids.

1. Do not place propane/LP supply tank(s) inside any structure. Propane/LP supply tank(s) must be placed outdoors.
2. This heater should not be installed in a bedroom or bathroom unless installed as a vented appliance.
3. Solid fuels should not be burned in a fireplace in which vent-free log set is installed.
4. Do not add extra logs or ornaments such as pine cones, vermiculite, or rock wool. Using these added items can cause sooting. Do not add lava rock around base. Rock and debris could fall into the control area of heater. After servicing, always replace screen before operating heater.
5. If fireplace has glass doors, never operate this heater with glass doors closed. If you operate heater with doors closed, heat will build up inside fireplace and cause glass to burst. If fireplace opening has vents at the bottom, you must open the vents before operating log set. Always operate heater with glass doors fully open.
6. This log heater is designed to be smokeless. If logs ever appear to be smoking, turn off heater and call a qualified service technician.  
**Note:** During initial operating, slight smoking could occur due to log curing and heater burning off manufacturing residues.
7. To prevent the creation of sooting, follow the instructions (see *Care and Maintenance*, page 28).
8. Before using furniture polish, wax, carpet cleaner, or similar products, turn heater off. If heated, the vapor from these products may create a white powder residue within burner box or on adjacent walls and furniture.
9. This heater needs fresh, outside air ventilation to run properly. This heater has an Oxygen Depletion Sensor (ODS) safety shutoff system. The ODS shuts down the heater if not enough fresh air is available. (See *Air For Combustion And Ventilation*, pages 8-10)
10. To prevent performance problems, do not use propane/LP fuel tank of less than 100 lbs. capacity.
11. Do not run heater where flammable liquids or vapors are used or stored under dusty conditions.

12. Do not use heater if any part has been underwater. Immediately call a qualified service technician to inspect the room heater and replace any part of the control system and any gas control which has been underwater.
13. Turn off and let cool before servicing. Only a qualified service technician should service and repair heater.
14. Operating heater above elevations of 4,500 ft. could cause pilot outage.
15. Do not use this heater if any log is broken. Do not operate heater if a log is chipped (dime-size or larger).
16. Do not use this heater to cook food or burn paper or other objects.
17. To prevent prevent performance problems, do not use propane/LP fuel tank of less than 100 lb. capacity.

### **QUALIFIED INSTALLING AGENCY**

Only a qualified agency should perform installation and replacement of gas piping, gas utilization equipment or accessories, and repair and servicing of equipment. The term "qualified agency" means any individual, firm, corporation, or company that either in person or through a representative is engaged in and is responsible for:

- a) Installing, testing, or replacing gas piping or
- b) Connecting, installing, testing, repairing, or servicing equipment; that is experienced in such work; that is familiar with all precautions required; and that has complied with all the requirements of the authority having jurisdiction.

## PRODUCT FEATURES

---

This log set has been tested and approved to ANSI Z21.11.2 standard for Unvented Heaters and can be operated with the flue damper closed. State and local codes in some areas prohibit the use of vent-free heaters.

### SAFETY PILOT

This heater has a pilot with an Oxygen Depletion Sensing (ODS) safety shutoff system. The ODS/pilot shuts off the heater if there is not enough fresh air.

### PIEZO IGNITION SYSTEM

This heater is equipped with an electronic piezo control system. This system requires one (1) AAA battery (provided).

### 2 GAS OPTIONS CAPABLE

Your heater is equipped to operate on either propane or natural gas. The heater is shipped from the factory ready for connecting to propane. The heater can easily be changed to natural gas by having your qualified installer follow the instructions on page 18 and the markings on the heater.

**State of Massachusetts:** The installation must be made by a licensed plumber or gas fitter in the Commonwealth of Massachusetts. Sellers of unvented propane or natural gas-fired supplemental room heaters shall provide to each purchaser a copy of 527 CMR 30 upon sale of the unit.

In the State of Massachusetts, unvented propane or natural gas-fired space heaters shall be prohibited in bedrooms and bathrooms.

**In the State of Massachusetts the gas cock must be a T-handle type. The State of Massachusetts requires that a flexible appliance connector cannot exceed three feet in length.**

### LOCAL CODES

Install and use heater with care. Follow all codes. In the absence of local codes, use the latest edition of The National Fuel Gas Code, ANSI Z223.1, also known as NFPA 54\*.

\*Available from:

American National Standard Institute, Inc  
1430 Broadway  
New York, NY 10018

National Fire Protection Association, Inc.  
1 Batterymarch Park  
Quincy, MA 02269-9101

This heater is designed for vent-free operation. State and local codes in some areas prohibit the use of vent-free heaters.

## PREPARING FOR INSTALLATION

---

Before beginning assembly or operation of the product, make sure all parts are present. Compare parts with package contents list. If any part is missing or damaged, do not attempt to assemble, install or operate the product. Contact customer service for replacement parts.

**Estimated Assembly Time:** 1 to 2 hours

### Tools Required for Assembly:

Before installing heater, make sure you have the the following:

- Hardware package (provided with heater)
- Approved flexible gas hose (not provided) if allowed by local codes
- Sealant (resistant to natural or propane/LP gas, not provided)
- Electric drill with 3/16- in. drill bit
- Phillips screwdriver
- External regulator (supplied by installer)
- Piping (check local codes)
- Equipment shutoff valve
- Test gauge connection
- Sediment trap
- Tee joint
- Pipe wrench

### UNPACKING

1. Remove logs and burner base assembly from carton. **NOTE:** Do not pick up burner base assembly by burners as this could damage heater. Always handle base assembly by grate.
2. Remove all protective packaging applied to logs and heater for shipment.
3. Check all items for any shipping damage. If damaged, promptly inform dealer where you purchased the heater.

### WATER VAPOR: A BY-PRODUCT OF UNVENTED ROOM HEATERS

Water vapor is a by-product of gas combustion. An unvented room heater produces approximately one (1) ounce (30 mL) of water for every 1,000 BTUs (.3 kw) of gas input per hour. An unvented room heater is recommended as a supplemental heater (a room) rather than a primary heat source (an entire house). In most supplemental heat applications, the water vapor does not create a problem. In most applications, the water vapor enhances the low humidity atmosphere experienced during cold weather.

The following steps will help ensure that water vapor does not become a problem:

1. Be sure the heater is the proper size for the application, including adequate combustion air and circulation air.
2. If there is high humidity, a dehumidifier may be used to help lower the water vapor content of the air.
3. Do not use an unvented room heater as the primary heat source.

## AIR FOR COMBUSTION AND VENTILATION

**⚠ WARNING:** If the area in which the heater may be operated does not meet the required volume for indoor combustion air, combustion and ventilation air shall be provided by one of the methods described in the National Fuel Gas Code, ANSI Z223.1/NFPA 54, the International Fuel Gas Code, or applicable local codes

### PRODUCING ADEQUATE VENTILATION

All spaces in homes fall into one of the three following ventilation classifications:

1. Unusually Tight Construction
2. Unconfined Space
3. Confined Space

The information on pages 8 through 9 will help you classify your space and provide adequate ventilation.

#### Confined and Unconfined Space

A confined space as a space whose volume is less than 50 cu. ft. per 1,000 BTU/hr (4.8 m<sup>3</sup> per kw) of the aggregate input rating of all appliances installed in that space and an unconfined space as a space whose volume is not less than 50 cu. ft. per 1,000 BTU/hr (4.8 m<sup>3</sup> per kw) of the aggregate input rating of all appliances installed in that space. Rooms connecting directly with the space in which the appliances are installed\*, through openings not furnished with doors, are considered a part of the unconfined space.

This heater shall not be installed in a confined space or unusually tight construction unless provisions are provided for adequate combustion and ventilation air.

\* Adjoining rooms are connecting only if there are doorless passageways or ventilation grills between them

#### Unusually Tight Construction

The air that leaks around doors and windows may provide enough fresh air for combustion and ventilation. However, in buildings of unusually tight construction, you must provide additional fresh air.

Unusually tight construction is defined as construction where:

- a) walls and ceilings exposed to the outside atmosphere have a continuous water vapor retarder with a rating of one perm ( $6 \times 10^{-11}$  kg per pa-sec-m<sup>2</sup>) or less with openings gasketed or sealed and
- b) weather stripping has been added on windows that can be opened and on doors and
- c) caulking or sealants are applied to areas such as joints around window and door frames, between sole plates and floors, between wall-ceiling joints, between wall panels, at penetrations for plumbing, electrical, and gas lines, and at other openings.

If your home meets all of the three criteria above, you must provide additional fresh air.

See "Ventilation Air From Outdoors" (page 10). If your home does not meet all of the three criteria above, proceed to "Determining Fresh-Air Flow For Heater Location".



## DETERMINING FRESH-AIR FLOW FOR HEATER LOCATION

### Determining if You Have a Confined or Unconfined Space

Use this worksheet to determine if you have a confined or unconfined space.

**Space:** Includes the room in which you will install heater plus any adjoining rooms with doorless passageways or ventilation grills between the rooms.

1. Determine the volume of the space  $\text{Length} \times \text{Width} \times \text{Height} = \text{cu. ft. (volume of space)}$   
 Example: Space size 20 ft. (length)  $\times$  16 ft.(width)  $\times$  8 ft. (ceiling height) = 2560 cu. ft. (volume of space)

If additional ventilation to adjoining room is supplied with grills or openings, add the volume of these rooms to the total volume of the space.

2. Divide the space volume by 50 cu. ft. to determine the maximum BTU/hr the space can support.

\_\_\_\_\_ (volume of space)  $\div$  50 cu. ft. = (Maximum BTU/hr the space can support)

Example: 2560 cu. ft. (volume of space)  $\div$  50 cu. ft. = 51.2 or 51,200 (maximum BTU/hr the space can support)

3. Add the BTU/hr of all fuel burning appliances in the space.

Vent-free heater \_\_\_\_\_ BTU/hr

Gas water heater\* \_\_\_\_\_ BTU/hr

Gas furnace \_\_\_\_\_ BTU/hr

Vented gas heater \_\_\_\_\_ BTU/hr

Gas heater logs \_\_\_\_\_ BTU/hr

Other gas appliances\*+ \_\_\_\_\_ BTU/hr

Total = \_\_\_\_\_ BTU/hr

Example:

Gas water heater 30,000 BTU/hr

Vent-free heater + 26,000 BTU/hr

Total = 56,000 BTU/hr

\*Do not include direct-vent gas appliances. Direct-vent draws combustion air from the outdoors and vents to the outdoors.

4. Compare the maximum BTU/hr the space can support with the actual amount of BTU/hr used.

\_\_\_\_\_ BTU/hr (maximum the space can support)

\_\_\_\_\_ BTU/hr (actual amount of BTU/hr used).

Example : 51,200 BTU/hr (maximum the space can support)

56,000 BTU/hr (actual amount of BTU/hr used)

The space in the above example is a confined space because the actual BTU/hr used is more than the maximum BTU/hr the space can support.

You must provide additional fresh air. Your options are as follows:

- a) Rework worksheet, adding the space of an adjoining room. If the extra space provides an unconfined space, remove door to adjoining room or add ventilation grills between rooms. See "Ventilation Air From Inside Building," page 10.
- b) Vent room directly to the outdoors. See "Ventilation Air From Outdoors", page 10.
- c) Install a lower BTU/hr heater if lower BTU/hr size makes room unconfined. If the actual BTU/hr used is less than the maximum BTU/hr the space can support, the space is an unconfined space. You will need no additional fresh air ventilation.

**⚠ WARNING:** If the area in which the heater may be operated does not meet the required volume for indoor combustion air, combustion and ventilation air shall be provided by one of the methods described in the NATIONAL FUEL GAS CODE, ANSI Z223.1/NFPA 54, the INTERNATIONAL FUEL GAS CODE, or applicable local codes.

### Ventilation Air From Inside Building

This fresh air would come from adjoining unconfined space. When ventilating to an adjoining unconfined space, you must provide two permanent openings: one within 12 in. of the wall connecting the two spaces (see options 1 and 2, Fig. 1). You can also remove door into adjoining room (see option 3, Fig. 1). Follow the National Fuel Gas Code NFPA 54/ANS Z223.1. Air for Combustion and Ventilation for required size of ventilation grills or ducts.

Fig. 1 - Ventilation Air from Inside Building

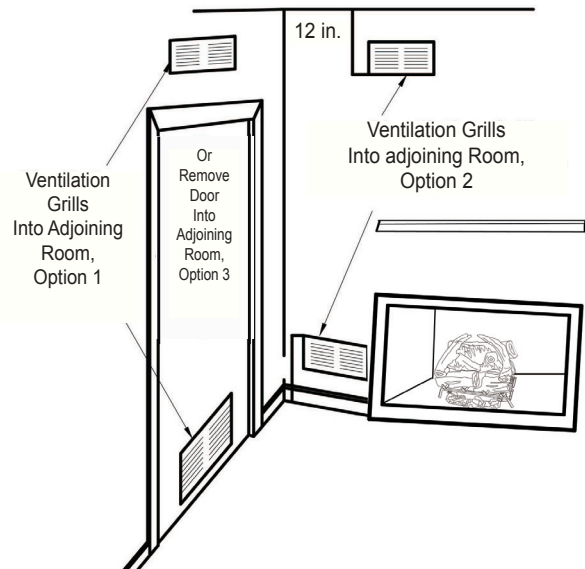
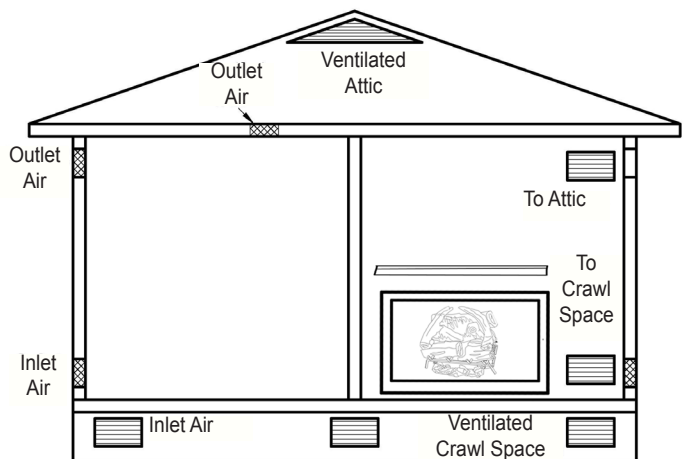


Fig. 2 - Ventilation Air from Outdoors

### Ventilation Air From Outdoors

Provide extra fresh air by using ventilation grills or duct. You must provide two permanent openings: one within 12 in. of the ceiling and one within 12 in. of the floor. Connect these items directly to the outdoors or spaces open to the outdoors. These spaces include attics and crawl spaces. Follow the National Fuel Gas Code NFPA 54/ANS Z223.1. Air for Combustion and Ventilation for required size of ventilation grills or ducts.



**IMPORTANT:** Do not provide openings for inlet or outlet air into attic if attic has a thermostat-controlled power vent. Heated air entering the attic will activate the power vent. Rework worksheet, adding the space of the adjoining unconfined space. The combined spaces must have enough fresh air to supply all appliances in both spaces.

## INSTALLATION

---

- ⚠ NOTICE:** This heater is intended for use as supplemental heat. Use this heater along with your primary heating system. Do not install this heater as your primary heat source. If you have a central heating system, you may run system's circulating blower while using heater. This will help circulate the heat throughout the house.
- ⚠ WARNING:** A qualified technician must install heater. Follow all local codes.
- ⚠ WARNING:** Before installing in a solid flue burning firebox, the chimney flue and firebox must be cleaned of soot, creosote, ashes and loose paint by a qualified chimney cleaner. Creosote will ignite if highly heated. A dirty chimney flue may create and distribute soot within the house. Inspect chimney flue for damage.
- ⚠ WARNING:** Maintain the minimum clearances. If possible, provide greater clearances from the floor, ceiling, and adjoining wall than required.

<b>Minimum Fireplace Clearance to Combustible Materials</b>	
Side wall	Ceiling
12 in.	48 in.

**CAUTION:** This heater creates warm air currents. These currents move heat to wall surfaces next to heater. Installing heater next to vinyl or cloth wall coverings or operating heater where impurities (such as tobacco smoke, aromatic candles, cleaning fluids, oil or kerosene lamps, etc.) in the air exist, may cause walls to discolor.

- ⚠ WARNING:** Seal any fresh air vents or ash clean-out doors located on the floor or wall of fireplace to prevent drafting caused by pilot outage or sooting. Use a heat-resistant sealant. Do not seal chimney flue damper.

**IMPORTANT:** Vent-free heaters add moisture to the air. Although this is beneficial, installing heater in rooms without enough ventilation air may cause mildew to form from too much moisture. See Air for Combustion and Ventilation, pages 8 through 10.

**NOTICE:** State or local codes may only allow operation of this appliance in a vented configuration. Check your state or local codes.

- ⚠ WARNING:** This appliance is designed for installation in only a solid-fuel burning masonry or UL 127 factory-built fireplace or in a listed ventless firebox enclosure. Exception: DO NOT install this appliance in a factory-built fireplace that includes instructions stating it has not been tested or should not be used with unvented gas logs.

## CHECK GAS TYPE

Make sure your gas supply is correct for your log set. If supply is not correct, do not install heater. Call dealer where you purchased heater for proper gas log set.

LOG SIZING REQUIREMENTS			
Minimum Firebox Size			
Height	Depth	Front Width	Rear Width
20 in.	14 in.	30 in.	23 in.

## MINIMUM CLEARANCE FOR SIDE

### Combustible Material, Side Wall, and Ceiling.

- Clearance from the side of the fireplace opening to any combustible material and wall should follow diagram in Fig. 3.
- Clearance from the top of the fireplace opening to the ceiling must not be less than 42 inches.

## MINIMUM NONCOMBUSTIBLE MATERIAL CLEARANCE

### If Not Using Mantel

You must have noncombustible material(s) above the fireplace opening. Noncombustible materials (such as slate, marble, tile, etc.) must be at least 1/2 in. thick. With sheet metal, you must have noncombustible material behind it, such as a noncombustible fireplace hood accessory. See Fig. 4.

**NOTICE:** This heater may be used as a vented product. If so, you must always operate log set with chimney flue damper open. If running log set with damper open, noncombustible material above fireplace opening is not needed. Go to Installing Damper Clamp Accessory for Vented Operation, page 15.

Fig. 3 - Minimum Clearance for Combustible to Wall

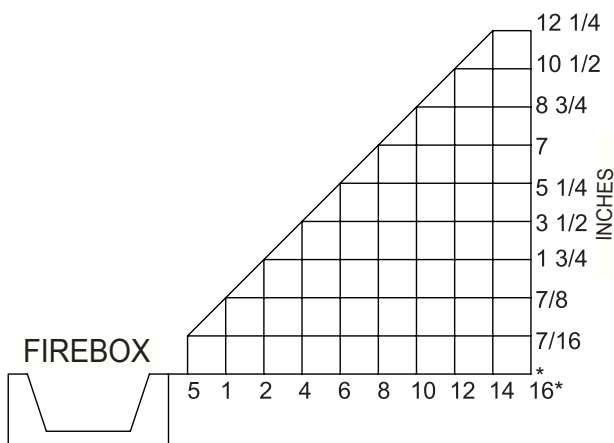
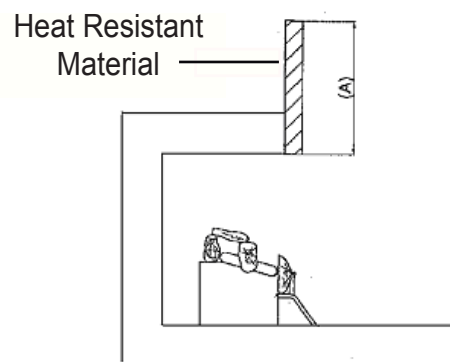


Fig. 4 - Heat resistant material (slate, marble, tile, etc.) above fireplace



**If Using Mantel**

You must have noncombustible material(s) (such as slate, marble, tile, etc.) at least 1/2 in. thick. With sheet metal, you must have noncombustible material behind it. Noncombustible material must extend at least 8 inches up. If noncombustible material is less than 12 in., you must install the fireplace hood accessory. Even if noncombustible material is more than 12 in., you may need the hood accessory to deflect heat away from mantel shelf. See Fig. 4, 5 and 6 for minimum clearances requirements.

**IMPORTANT:** If these minimum clearances are not met, you must operate heater with chimney flue damper open. Go to “Installing Damper Clamp Accessory for Vented Operation,” page 15.

**MANTEL CLEARANCES**

In addition to meeting noncombustible material clearances, you must also meet required clearances between fireplace opening and mantel shelf. If the clearances listed below are not met, you will need a hood.

**Determining Mantel Clearances**

If you meet minimum clearance requirements between mantel shelf and top of fireplace opening, a hood is not necessary (see Fig. 5).

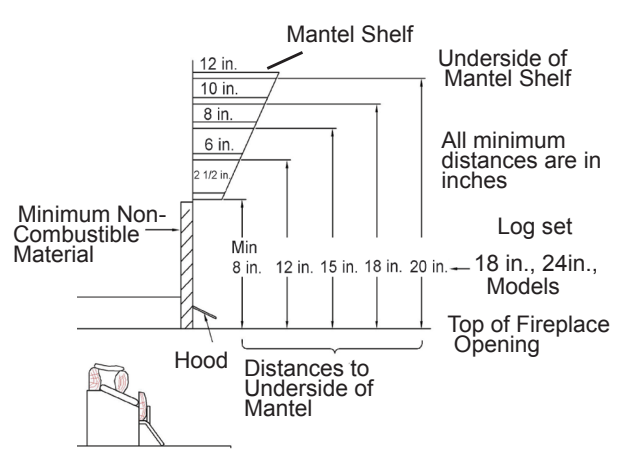
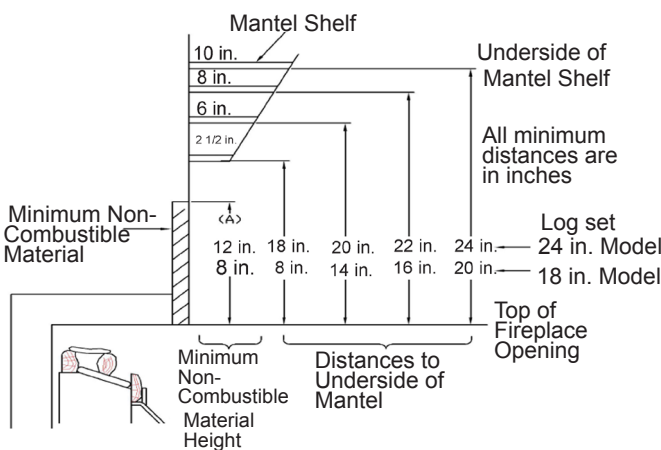
Noncombustible Material Distance	Requirements for Safe Installation
8 in. or more	Noncombustible material okay.
Less than 8 in.	Noncombustible material must be extended to at least 8 in. See between 8 in. and 12 in. above. If you can not extend material, you must operate heater with flue damper open.

**Determining Minimum Mantel Clearance When Using a Hood**

If minimum clearances in Fig. 6 are not met, you must have a hood. When using a hood there are still certain minimum mantel clearances required. Follow minimum clearances shown in Fig. 6 when using a hood.

Fig. 5 - Minimum mantel clearances without using hood

Fig. 6 - Minimum mantel clearances when using hood



**NOTICE:** Surface temperature of adjacent walls and mantels become hot during operation. Walls and mantels above the firebox may become too hot to touch. If installed properly, these temperatures meet the requirement of the national product standard. Follow all minimum clearances shown in this manual.

**NOTICE:** If your installation does not meet the minimum clearances shown, you must do one of the following: Operate the logs with the flue damper open only. Raise the mantel to an acceptable height.

### FLOOR CLEARANCES

- a) If installing appliance on floor level, you must maintain the minimum distance of 14 in. to combustibles (see Fig. 7).
- b) If combustible materials are less than 14 in. to the fireplace, you must install appliance at least 5 in. above the combustible flooring (see Fig. 8).

Fig. 7- Minimum fireplace clearances if installed at floor level

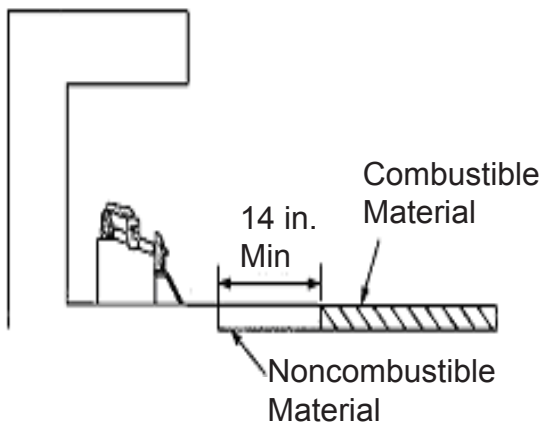


Fig. 8 - Minimum fireplace clearances above combustible flooring

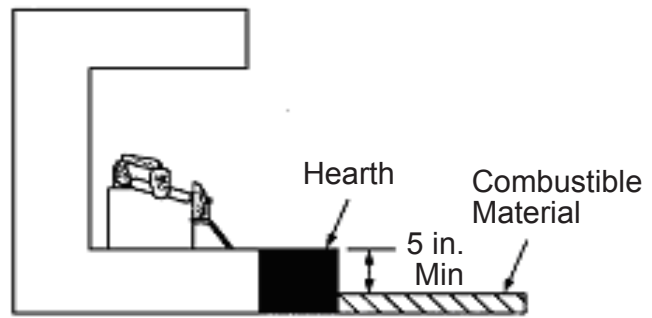
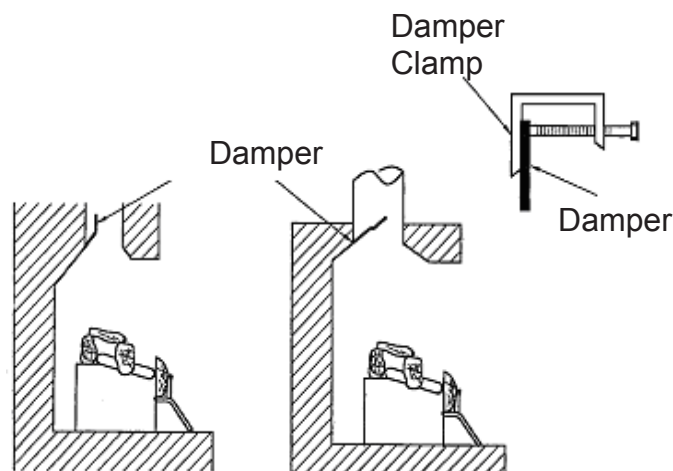


Fig. 9 - Attach Damper to Fireplace



## INSTALLING DAMPER CLAMP ACCESSORY FOR VENTED OPERATION

NOTE: When used as a vented heater, appliance must be installed only in a solid-fuel burning fireplace with a working flue constructed of noncombustible material. You may use this heater as a vented product. There are three reasons for operating your heater as a vented model:

1. The fireplace does not meet the clearance requirements for vent-free operation.
2. State or local codes do not permit vent-free operation.
3. You prefer vented operation.

If reasons number 1 or 2 above apply to you, you must permanently open chimney flue damper. You must install the damper clamp accessory (not provided). This will ensure vented operation (see Fig. 9). The damper clamp will keep damper open. Installation instructions are included with clamp accessory.

See chart below for the minimum permanent flue opening you must provide. Attach damper clamp so the minimum permanent opening will be maintained at all times.

<b>Chimney Height (ft.)</b>	<b>Minimum Permanent Flue Opening (sq. in)</b>
6 ft to 15 ft	39 sq. in.
15 ft to 30 ft	29 sq. in.

<b>Area of Various Standard Round Flues</b>	
<b>Diameter (in.)</b>	<b>Area (sq. in.)</b>
5 in.	20 sq. in.
6 in.	29 sq. in.
7 in.	39 sq. in.
8 in.	51 sq. in.

## CONNECTING TO GAS SUPPLY

**⚠ WARNING:** A qualified technician must connect heater to gas supply. Follow all local codes.

**⚠ WARNING:** This appliance requires 1/2-in. NPT (National Pipe Thread) inlet connection to the pressure regulator.

**⚠ WARNING:** Never connect heater to private (non-utility) gas wells. This is commonly known as well-head gas.

**CAUTION:** Never connect heater directly to the gas supply. This heater requires an external regulator (not supplied). The external regulator between the gas supply and heater must be installed. Gas supplier provides external regulator for natural gas.

1. Apply pipe joint sealant lightly to fitting threads. Connect approved flexible gas hose to gas regulator of heater (see Fig. 11).

**Note:** Never apply pipe sealant to flare fitting threads.

2. Locate masonry screws in hardware package.

3. Position heater base assembly in fireplace.

4. Place logs in their proper position on heater base.

5. Center heater base and logs front-to-front and side-to-side in fireplace.

6. Carefully remove logs without moving heater base.

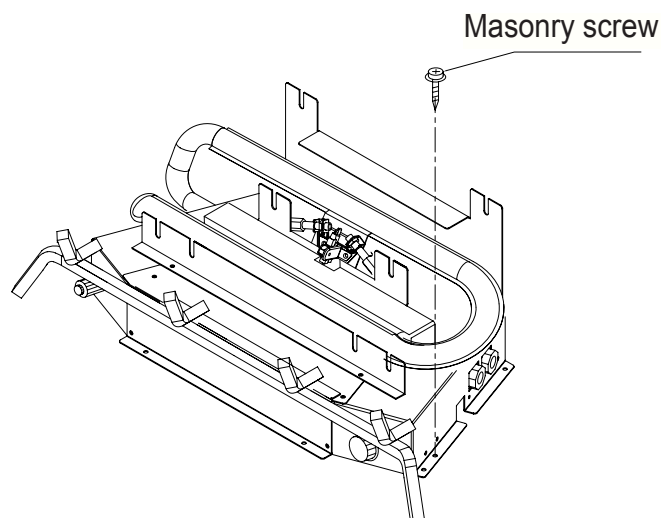
7. Mark screw locations through holes in mounting brackets (see Fig. 10). If installing in a brick-bottom fireplace, mark screw locations in mortar joint of bricks.

8. Remove heater base from fireplace.

9. Drill holes at marked locations using 3/16-in. drill bit.

10. Attach base assembly to fireplace floor using two masonry screws (in hardware package) (see Fig. 10).

Fig. 10 - Attaching Heater Base to Fireplace Floor





A CSA/AGA design-certified equipment shutoff valve with 1/8-inch NPT tap is an acceptable alternative to test gauge connection. Purchase the optional CSA/AGA design-certified equipment shutoff valve.

The installer must supply an external regulator for liquid propane. The external regulator is provided by the gas supplier for natural gas. The external regulator will reduce incoming gas pressure. You must reduce incoming gas pressure to minimum allowable on rating label. If you do not reduce incoming gas pressure, heater regulator damage could occur. Install external regulator with the vent down as shown in Fig. 12. Pointing the vent down protects it from freezing rain or sleet.

Installation must include equipment shutoff valve, union, and plugged 1/8-in. NPT tap. Locate NPT tap within reach for test gauge hook up. NPT tap must be upstream from heater (see Fig. 13). To prevent performance problems, Propane/LP tank of less than 100 lb. capacity is not recommended.

**IMPORTANT:** Install an equipment shutoff valve in an accessible location. The equipment shutoff valve is for turning on or shutting off the gas to the appliance. Apply pipe joint sealant lightly to male threads. This will prevent excess sealant from going into pipe. Excess sealant in pipe could result in clogged heater valves.

**CAUTION:** Use only a new, black iron or steel pipe. Internally-tinned copper tubing may be used in certain areas. Check your local codes. Use pipe 1/2-in. diameter or greater to allow proper gas volume to heater. If pipe is too small, loss of pressure will occur.

**CAUTION:** Use pipe joint sealant that is resistant to natural gas (NG) or liquid petroleum (LP) gas.

We recommend that you install a sediment trap in the supply line as shown in Fig. 13. Place sediment trap where it is within reach for cleaning and where trapped matter is not likely to freeze. A sediment trap traps moisture and contaminants.

This keeps them from going into heater controls. If sediment trap is not installed or is installed incorrectly, heater may not run properly.

**IMPORTANT:** Hold pressure regulator with wrench when connecting it to gas piping and/or fittings.

Fig. 11 - Attaching Flexible Gas Hose to Heater Gas Regulator

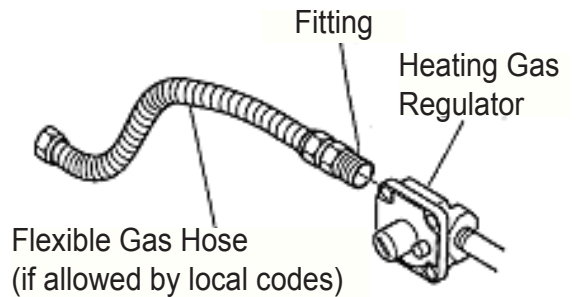


Fig. 12-A - External Regulator with Vent Pointing Down For NG

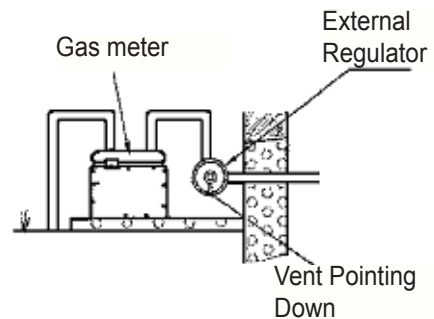


Fig. 12-B - External Regulator with Vent Pointing Down For LP

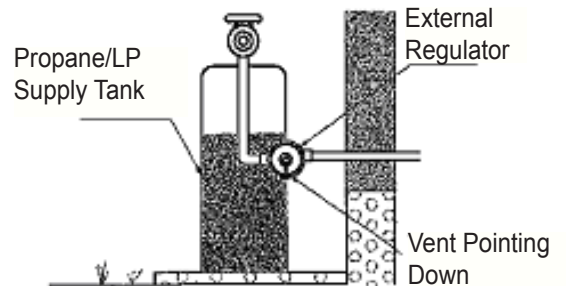
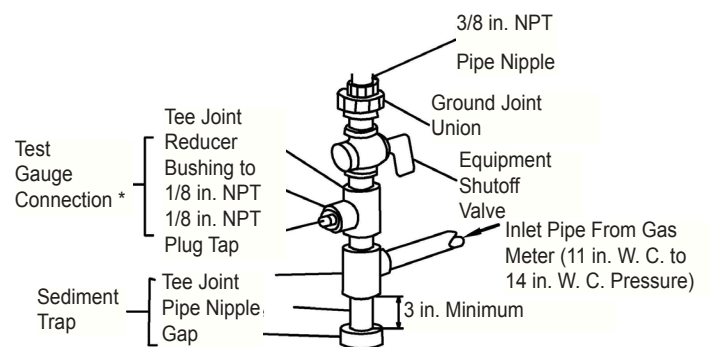


Fig. 13 - Gas Connection



\*Purchase the optional CSA design-certified equipment shutoff valve from your dealer.

**CAUTION:** Two gas line installations at the same time are prohibited. The access plate to the simple switching means shall not be opened while the heater is in operation.

This appliance can be used with propane or natural gas. It is shipped from the factory adjusted for use with propane. Only a qualified installer or service technician can perform gas selection and connecting to gas supply.


**CAUTION:** To avoid gas leakage at the inlet of regulator, a qualified installer or service technician must use steel or metal hex plug with sealant.

**WARNING:** Do not attempt to access or change the setting of the fuel selection means. Access to and adjustment of the fuel selection means must only be performed by a qualified service person when connecting this appliance to a specified fuel supply at the time of installation.


Change of the selector setting to other than the fuel type specified at the time of installation could damage this appliance and render it inoperable.

The installer shall replace the access cover before completing the installation and operating this appliance.

#### For changing from propane to natural gas supply:

1. Overturn chassis, See Figure 14.
2. For NATURAL GAS, press knob using a flat screw driver with a blade the thickness of a quarter and turn knob clockwise  until the knob locks into the NG position (see Figure 15). Fuel selection device must be locked in the NG position. Do not operate heater between locked positions!
3. Remove hex plug (with wrench provided) from natural gas inlet of regulator and install into LP inlet of regulator; use thread sealant to assure there are no leaks.

#### For changing from natural gas supply to propane supply:

1. Overturn chassis, See Figure 14.
2. For propane gas, press in knob using a flat screw driver with a blade the thickness of a quarter and turn knob counterclockwise  until the knob locks into the LP position, see Figure 16. Fuel selection device must be locked in the LP position. Do not operate heater between locked positions.
3. Remove hex plug from liquid propane inlet of regulator and install into NG inlet of regulator; use thread sealant to assure there are no leaks.

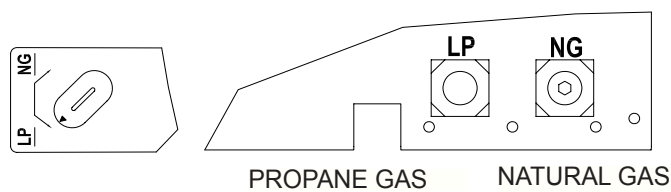


Fig. 14

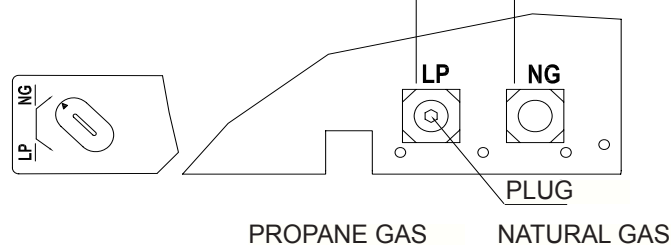


Fig. 15

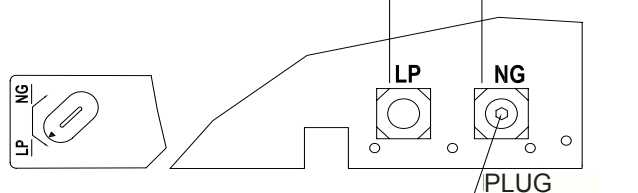


Fig. 16

## CHECKING GAS CONNECTIONS

**⚠ WARNING:** Test all gas piping and connections for leaks after installing or servicing. Correct all leaks immediately.

**⚠ WARNING:** Never use an open flame to check for a leak. Apply a mixture of liquid soap and water to all joints. If bubbles form, there may be a leak. Correct all leaks immediately.

### Pressure Testing Gas Supply Piping System

#### Test Pressures In Excess Of 1/2 PSIG ( 3.5kPa )

1. Disconnect heater with its appliance main gas valve (control valve) and equipment shutoff valve from gas supply piping system. Pressures in excess of 1/2 PSIG will damage heater regulator.
2. Cap off open end of gas pipe where equipment shutoff valve was connected.
3. Pressurize supply piping system by either using compressed air or opening gas supply tank valve.
4. Check all joints of gas supply piping system. Apply mixture of liquid soap and water to gas joints. If bubbles form, there may be a leak.
5. Correct all leaks immediately.
6. Reconnect heater and equipment shutoff valve to gas supply. Check reconnected fittings for leaks.

#### Test Pressures Equal To or Less Than 1/2 PSIG (3.5 kPa)

1. Close equipment shutoff valve (see Fig. 17).
2. Pressure supply piping system by either using compressed air or opening gas supply tank valve.
3. Check all joints from gas meter to equipment shutoff valve (see Fig.18). Apply mixture of liquid soap and water to gas joints. If bubbles form, there may be a leak.
4. Correct all leaks immediately.

### Pressure Testing Heater Gas Connections

1. Open equipment shutoff valve (see Fig. 17).
2. Open gas supply tank valve.
3. Make sure control knob of heater is in the OFF position.
4. Check all joints from equipment shutoff valve to control valve (Fig. 18). Apply mixture of liquid soap and water to gas joints. If bubbles form, there may be a leak.
5. Light heater (see Operation, page 22). Check all other internal joints for leaks.
6. Turn off heater (see "To Turn Off Gas to Appliance," page 23).

Fig. 17 - Equipment Shut -off Valve

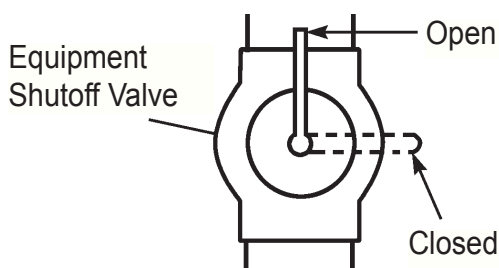
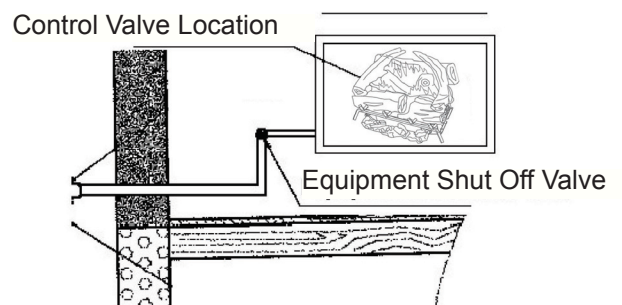


Fig. 18 - Checking Gas Joints



## INSTALLING LOGS

**⚠ WARNING:** Failure to position the parts in accordance with these diagrams or failure to use only parts specifically approved with this heater may result in property damage or personal injury.

**⚠ CAUTION:** After installation and periodically thereafter, check to ensure that no yellow flame comes in contact with any log. With the heater set to High, check to see if yellow flames contact any log. If so, reposition logs according to the log installation instructions in this manual. Yellow flames contacting logs will create soot.

It is very important to install the logs exactly as instructed. Do not modify logs. Use only logs supplied with heater.

Each log is marked with a number. This number will help you to identify the logs when installing.

After installing logs, add decorative cinders around the grate base, do not place any decorative cinders on logs or burner.

Provided Logs: 7

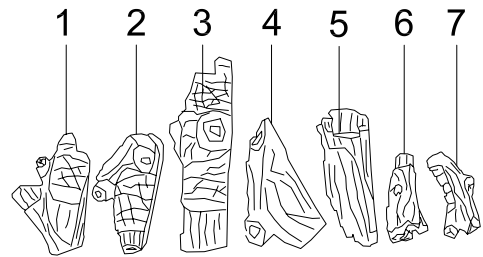


Fig. 19 - Installing Log #3

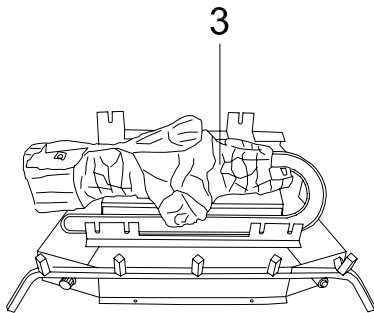


Fig. 20 - Installing Log #2

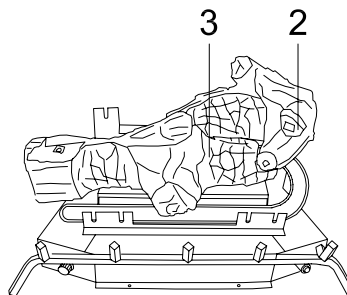
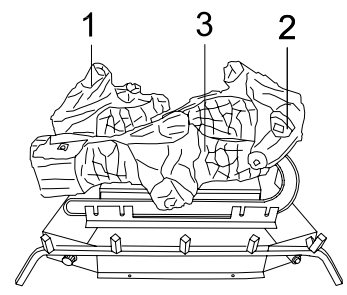


Fig. 21 - Installing Log #1



1. Insert log #3 into slots in middle grate, and tighten nuts.
2. Insert log #2 into slots in rear log bracket on grate base, and tighten nuts.
3. Insert log #1 into slots in rear log bracket on grate base, and tighten nuts.

Fig. 22 - Installing Log #4 and log #5

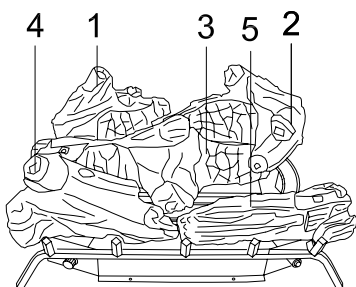


Fig. 23 - Installing Log #6

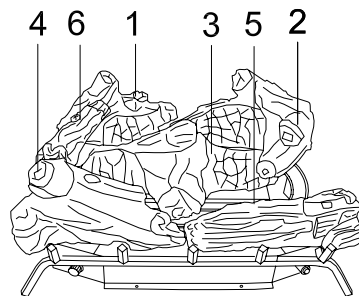
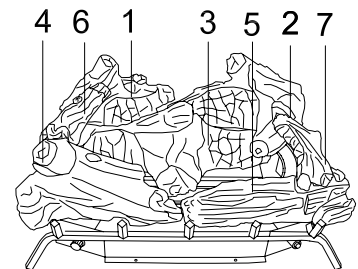


Fig. 24- Installing Log #7



4. Insert log #4, log #5 into slots in front log bracket on grate base and tighten nuts.
5. Insert the pin on the bottom of log #6 into the recessed hole on log #3 and place the other end on log #1.
6. Insert the pin at the top of log #7 into the recessed hole on log #2 and place the other end onto log #5.

## INSTALLING REMOTE RECEIVER

The remote receiver operates on four 1.5V AA-size batteries (included). Use ALKALINE batteries for longer battery life and maximum microprocessor performance.

**IMPORTANT:** New or fully charged batteries are essential for proper operation of the remote receiver as the solenoid power consumption is higher than standard remote control systems.

1. Remove battery cover along the direction shown on the battery box, and install four 1.5V AA-size batteries into the box. (See Fig. 25)
2. Rotate the log set, according with the color red wire to red, black on black, one-to-one connected to receiver and AF-1110 valve. (See Fig. 26)
3. With receiver wired to the valve, place receiver to the side of the log set. (See Fig. 27)

Fig. 25

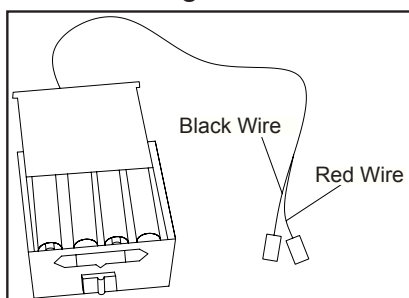


Fig. 26

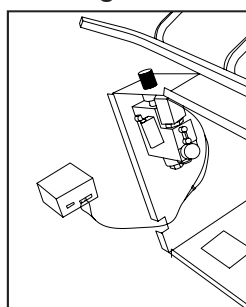
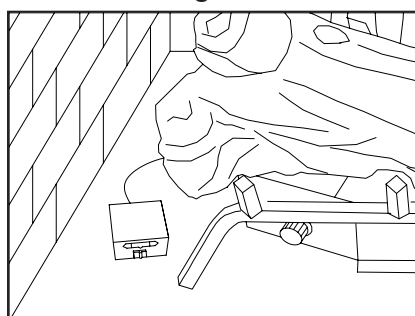


Fig. 27



## BATTERY INSTRUCTIONS

**⚠ CAUTION:** Do not mix old and new batteries. Do not mix alkaline, standard (carbon - zinc), or rechargeable (nickel - cadmium) batteries.  
Do not dispose of batteries in fire, batteries may explode or leak.

- Batteries are included.
- Remove batteries when depleted.
- Install/replace the batteries according to the type and quantity stated in table below.
- Do not mix old and new batteries. New batteries should be the same brand for best results.
- Be sure to observe proper polarity (+/-) when installing or replacing the batteries. Damage due to improper battery installation may void the warranty on the product.
- For remote control systems, maximize battery life by turning off the receiver when it is not in use.
- For long periods of non-operation, remove batteries from all components for safety.

Component	Type of Battery	Battery Qty.
Ignitor	AAA	1
Remote Control	AAA	2 or 3*
Remote Receiver	AA	4

\*Note: Quantity depends on model of remote control.

## OPERATION

---

### FOR YOUR SAFETY READ BEFORE LIGHTING

**⚠ WARNING:** If you do not follow these instructions exactly, a fire or explosion may result causing property damage, personal injury or loss of life.

**⚠ NOTICE:** During initial operation of new heater, burning logs will give off a paper burning smell. Orange flame will also be present. Open a window to vent smell. This will last only few hours.

**⚠ CAUTION:** Do not try to adjust heating levels by using the equipment shutoff valve.

- A. This appliance has a pilot which must be lighted by the electronic ignitor. When lighting the pilot, follow these instructions exactly.
- B. BEFORE LIGHTING smell all around the appliance area for gas. Be sure to smell next to the floor because some gas is heavier than air and will settle on the floor.

#### WHAT TO DO IF YOU SMELL GAS

- Do not try to light any appliance.
  - Do not touch any electrical switch; do not use any phone in your building.
  - Immediately call your gas supplier from a neighbor's phone. Follow the gas supplier's instructions.
  - If you cannot reach your gas supplier, call the fire department
- C. Use only your hand to push control. Never use tools. If the appliance does not operate, don't try to repair it. Call a qualified service technician or gas supplier. Forced or attempted repair may result in fire or explosion.
- D. Do not use this appliance if any part has been under water. Immediately call a qualified service technician to inspect the appliance and to replace any part of the control system and any gas control, which has been under water.

**Note:** Please wait one minute after shutting off fireplace to allow the control valve to reset before starting again.

## REMOTE CONTROL LIGHTING INSTRUCTIONS MODELS

1. STOP! Read the safety information on the front and back of the warning plate on page 22.
2. Make sure manual shutoff valve is fully open.
3. Unscrew ignitor cap and install an AAA type battery with the anode (+) pointing out. Replace cap.
4. Install two (2) AAA size batteries in the remote transmitter.
5. Be sure the slide switch on the front of the receiver box is in the REMOTE position.
6. Push in the control knob slightly and turn clockwise ↻ to the OFF position.
7. Wait five (5) minutes to clear out any gas. Then smell for gas around the heater and near the floor. If you smell gas, STOP! Follow "B" in the safety information on the rating plate. If you do not smell gas, go to the next step.
8. Push the control knob in slightly and turn counterclockwise ↺ to "PILOT" position and depress for five (5) seconds.

Note: The first time the heater is operated after connecting the gas supply, the control knob should be depressed for about thirty (30) seconds. This will allow gas to bleed from the gas system.

9. With the control knob pushed in, push down and release the ignitor button. This will light the pilot. If needed, keep pressing the ignitor button until pilot lights.
10. Continue pushing the control knob in for an additional sixty (60) seconds to allow the thermocouple to warm up and to allow air to bleed from the gas system. Release the control knob.

Note: If the pilot goes out, repeat steps 7, 8, 9 and 10.

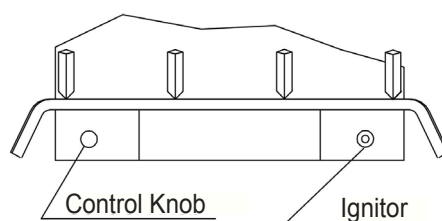
11. Rotate the control knob counterclockwise ↺ to the ON position.
12. Press the LEARN BUTTON on the front of the remote receiver box until you hear a beep.
13. Press the ON button on the remote control transmitter to light the burner. (This will also "learn", or program, the transmitter and the receiver).
14. If the transmitter is lost or damaged, the slide switch on the receiver can be used to operate the heater.

## TO TURN OFF GAS TO APPLIANCE

### Shutting off heater

1. Press the OFF button to let pilot stay.
2. Turn gas control knob clockwise ↻ to OFF position to shut off burner.

Fig. 28 - Control Knob and Ignitor Button Location



## REMOTE CONTROL OPERATION

### MATCHING SECURITY CODES

When matching security codes, be sure slide button on the receiver is in the REMOTE position. To program the remote receiver to LEARN a new security code, press and release the LEARN button on the top of the remote receiver, and then press ON or OFF button on the transmitter. A change in the beeping pattern at the receiver, indicates the transmitter's code has been programmed into the receiver.

Fig. 29

### REMOTE CONTROL OPERATION

This appliance must not be used with glass doors in the closed position.

This can lead to pilot outages and severe sooting outside the fireplace.

The transmitter operates on two AAA batteries.

### KEY SETTINGS

**ON** - Operates unit to on position, Manually operated solenoid ON.

**OFF** - Operates unit to off position, Manually operated solenoid OFF.

**MODE** -Changes unit from manual mode to thermo mode.

**SET** - Sets temperature in thermo mode.

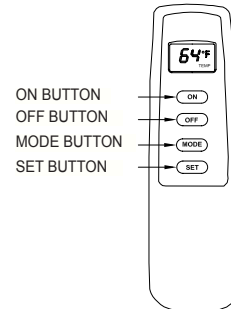


Fig. 30

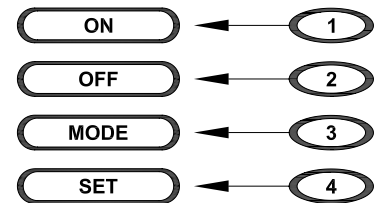


Fig. 31

### LCD Liquid Crystal Display

1. DISPLAY Indicates CURRENT room temperature.
2. °F or °C Indicates degrees Fahrenheit or Celsius.
3. FLAME Indicates burner/valve in operation.
4. ROOM Indicates remote is in THERMO operation.
5. TEMP Appears during manual operation.
6. SET Appears during time the of setting the desired temperature in the thermo operation.

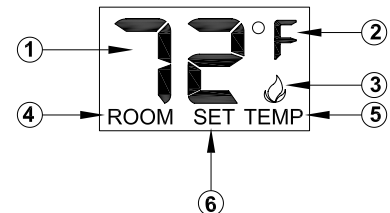


Fig. 32

### SETTING °F/°C SCALE

The factory setting for temperature is °F. To change this setting to °C .

First

Press the ON key and the OFF key on the transmitter at the same time this will change from °F to °C. Follow this same procedure to change from °C back to °F.

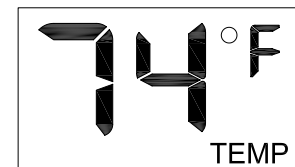


Fig. 33



### MANUAL FUNCTION

To operate the system in the manual "MODE" do the following.

#### ON OPERATION

Press the ON key and the appliance flame will come on.

During this time the LCD screen will show ON (Fig. 33).



After 3 seconds the LCD screen will default to display room temperature and the word TEMP will show (Fig. 34). (Flame icon will appear on LCD screen in manual on mode).

### OFF OPERATION

Press the OFF key and the appliance flame will shut off.

During this time the LCD screen will show OF (Fig. 35). After 3 seconds the LCD screen will default to display room temperature and the word TEMP will show (Fig. 36).

Fig. 34

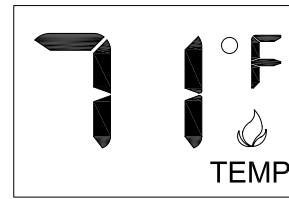


Fig. 35

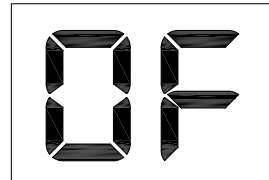
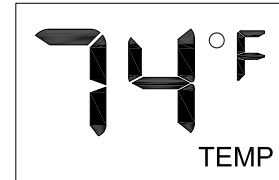


Fig. 36



### THERMOSTAT FUNCTION

#### SETTING DESIRED ROOM TEMPERATURE

This remote control system can control the thermostat when the transmitter is in the THERMO mode (The word ROOM must be displayed on the screen).

To set the THERMO MODE and desired room temperature:

1. Press the MODE key until the LCD screen shows the word ROOM. Then the remote is in the thermostatic mode.
2. Press and hold the SET key until the desired set temperature is reached. (By pressing and holding the set key the LCD screen set numbers will increase from 45° to 99° and then restart over at 45°).
3. Next release the SET key. The LCD screen will display the set temperature for 3 seconds and the LCD screen will flash the set temperature for 3 seconds. Then the LCD screen will default to display the room temperature.

#### TO CHANGE THE SET TEMPERATURE

1. Press and hold the SET key until the desired set temperature is reached. (By pressing and holding the set key the LCD screen set numbers will increase from 45° to 99° then restart over at 45°).
2. Next release the SET key. The LCD screen will display the set temperature for 3 seconds then will flash the set temperature for 3 seconds then the LCD screen will default to display the room temperature.
3. Press the MODE key to disengage the thermo mode.

The word ROOM on the LCD screen will not show when the thermo is not in operation.

**Note:** The highest SET temperature is 99°F (32°C) and the lowest temperature is 45°F (6°C).

Fig. 37

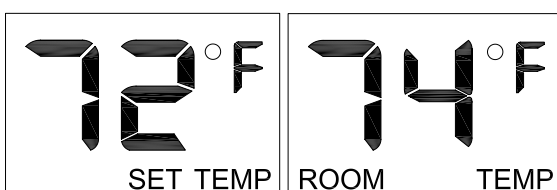
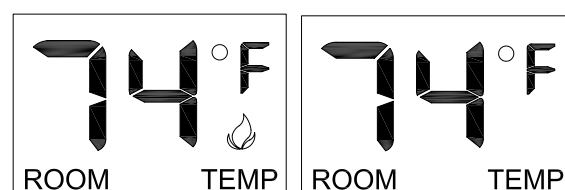


Fig. 38



## REMOTE CONTROL OPERATION NOTES:

The Thermo Feature on the transmitter operates the appliance whenever the ROOM TEMPERATURE varies a certain number of degrees from the SET TEMPERATURE. This variation is called the “swing” or temperature differential. The normal operating cycle of an appliance may be -4 times per hour depending on how well the room or home is insulated from the cold or drafts. The factory setting for the “swing number” is 2. This represents a temperature variation of +/-2°F (1°C) between SET temperature and ROOM temperature, which determines when the fireplace will be activated. The transmitter has ON and OFF manual functions that are activated by pressing either button on the face of the transmitter. When a button on the transmitter is pressed the word ON or OF will appear on the LCD screen to show while the signal is being sent. Upon initial use, there may be a delay of three seconds before the remote receiver will respond to the transmitter. This is part of the system’s design.

## SETTING UP & USING YOUR REMOTE CONTROL SYSTEM

**Notice:** This guide is intended to provide supplemental information about setting up and using the remote control that was included with your gas logs. It is not intended to replace the information in the Owners Manual. Please refer to the Owners Manual for detailed information about your appliance.

Install batteries. Batteries are required in both the Remote (2AAA size) and Receiver (4AA size). (See Fig. 39)

**Helpful Hint:** Be sure batteries are placed correctly. Reversing the batteries can cause damage to the receiver and remote. Replace all batteries on a yearly basis or sooner.

### Programming the Remote and Receiver

The remote and receiver must be “learned” to one another. Place the slide switch on the receiver in the Remote position. (See Fig. 40)

### Programming the Remote and Receiver

Use a pen or small screwdriver to gently press and release the recessed Learn button on the face of the receiver (audible beep occurs). (See Fig. 41)

### Programming the Remote and Receiver

Press the ON button on the remote (series of audible beeps occur). Your appliance should come on. (See Fig. 42)

**Helpful Hint:** If your appliance does not come on check to make sure the control knob is in the “ON” position.

### Setting The Temperature

Press the SET button to change the temperature setting. Release the SET button to choose the desired setting. Your unit will cycle on and off to maintain that selected setting. (See Fig. 43)

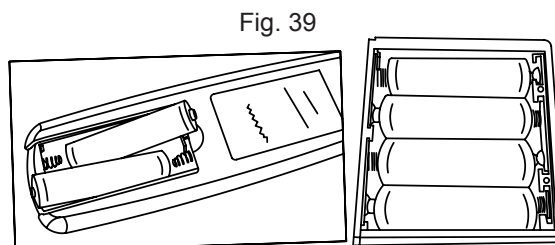


Fig. 39

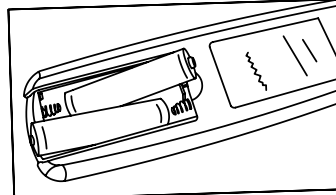


Fig. 40

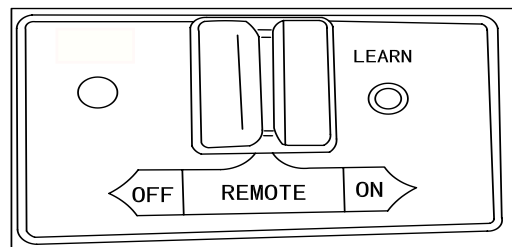


Fig. 41

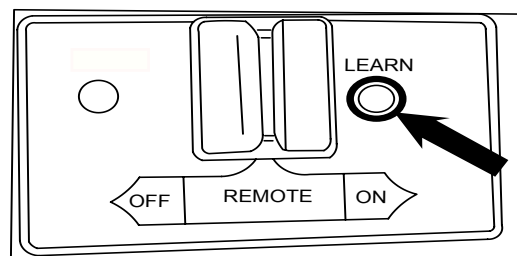


Fig. 42

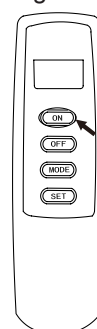
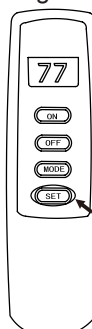


Fig. 43



## INSPECTING BURNERS

Check pilot flame pattern and burner flame patterns often.

### PILOT FLAME PATTERN

1. Turn control knob to pilot position.
2. Inspect pilot flame and refer to Fig. 44 and 45.
  - Fig. 44 shows a correct pilot flame pattern.
  - Fig. 45 shows an incorrect pilot flame pattern. The incorrect pilot flame is not touching the thermocouple. This will cause the thermocouple to cool. When the thermocouple cools, the heater will shut down.
  - If the pilot flame is incorrect, as shown in Fig. 33, turn heater off (see "To Turn Off Gas to Appliance," page 23). See Troubleshooting, page 30 - 32.

Fig. 44 - Correct Pilot Flame Pattern

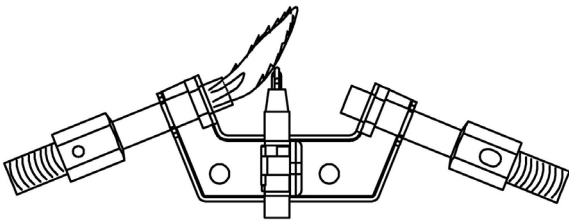
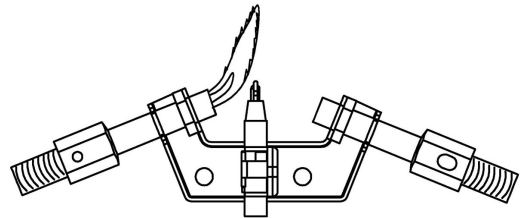


Fig. 45 - Incorrect Pilot Flame Pattern



### BURNER FLAME PATTERN

- Fig. 46 shows a correct burner flame pattern. Fig. 47 shows an incorrect burner flame pattern.
- If burner flame is incorrect, as shown in Fig. 47, turn heater off (see "To Turn Off Gas to Appliance", page 23).
  - see Troubleshooting, pages 30 through 32.

Fig. 46 - Correct Pilot Flame Pattern with Control Knob Set to High Flame (5)

Approx. 3-6 in. above top of logs

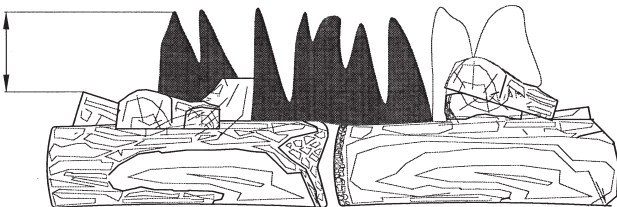
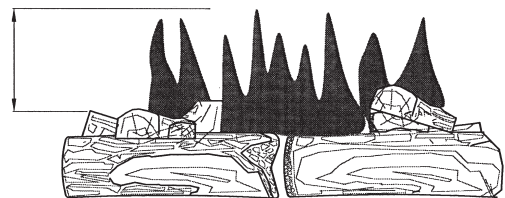


Fig. 47 - Incorrect Pilot Flame Pattern with Control Knob Set to High Flame (5)

More than 8 in. above top of logs



### BURNER PRIMARY AIR HOLES

Air is drawn into the burner through the holes in the fitting at the entrance to the burner. These holes may become blocked with dust or lint. Periodically inspect these holes for any blockage and clean as necessary. Blocked air holes will create soot.

## CARE AND MAINTENANCE

---

**⚠ WARNING:** Failure to keep primary air openings of burners clean may result in sooting and property damage.

**⚠ CAUTION:** You must keep control areas, burner, and circulating air passageways of heater clean. Inspect these areas of heater before each use. Have heater inspected yearly by a qualified service person. Heater may need more frequent cleaning due to excessive lint from carpeting, bedding material, pet hair, etc.

The primary air inlet holes allow the proper amount of air to mix with the gas. This provides a clean burning flame. Keep these holes clear of dust, dirt and lint. Clean these air inlet holes prior to each heating season. Blocked air holes will create soot. We recommend that you clean the unit every 2,500 hours of operation or every three months.

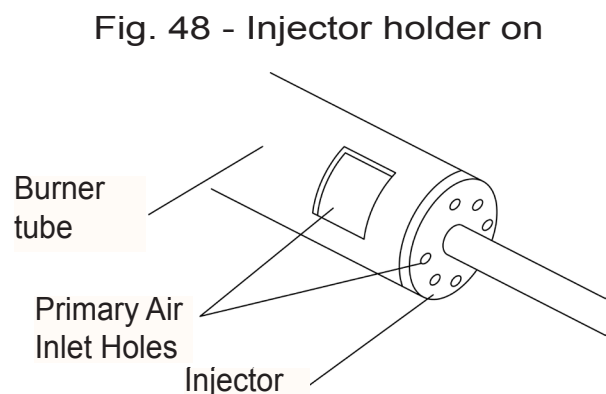
### MAIN BURNER

Periodically inspect all burner flame holes with the heater running. All slotted burner flame holes should be open with yellow flame present. All round burner flame holes should be open with a small blue flame present. Some burner flame holes may become blocked by debris or rust, with no flame present. If so, turn off heater and let cool, either remove blockage or replace burner. Blocked burner flame holes will create soot.

### CLEANING BURNER INJECTOR HOLDER AND PILOT AIR INLET HOLE

We recommend that you clean the unit every three months or after 2,500 hours of operation. We also recommend that you keep the burner tube and pilot assembly clean and free of dust and dirt. To clean these parts we recommend using compressed air no greater than 30 PSI. You can use a vacuum cleaner in the blow position. If using compressed air in a can, please follow the directions on the can. If you don't follow directions on the can, you could damage the pilot assembly.

1. Shut off the unit, including the pilot. Allow the unit to cool for at least thirty minutes.
2. Inspect burner, pilot, and primary air inlet holes on injector holder for dust and dirt (see Fig. 48).
3. Blow air through the ports/slots and holes in the burner.
4. Check the injector holder located at the end of the burner tube again. Remove any large particles of dust, dirt, lint, or pet hair with a soft cloth or vacuum cleaner nozzle.
5. Blow air into the primary air holes on the injector holder.
6. In case any large clumps of dust have now been pushed into the burner. Repeat steps 3 and 4. Clean the pilot assembly also.



## CLEANING ODS/PILOT

Use a vacuum cleaner, pressurized air, or a small, soft bristled brush to clean.

A yellow tip on the pilot flame indicates dust and dirt in the pilot assembly. There is a small pilot air inlet hole about two inches from where the pilot flame comes out of the pilot assembly (see Fig. 49). With the unit off, lightly blow air through the air inlet hole. You may blow through a drinking straw if compressed air is not available.

## CABINET

### Air Passageways

- Use a vacuum cleaner or pressurized air to clean the cabinet to remove dust.

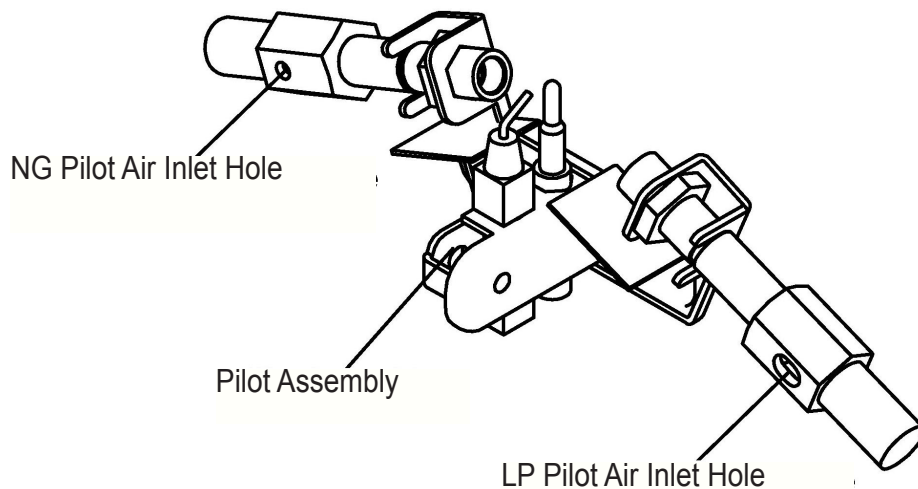
### Exterior

- Use a soft cloth dampened with a mild soap and water mixture.
- Wipe the cabinet to remove dust.

## LOGS

- If you remove logs for cleaning, refer to Installing Logs pages 20 to properly replace logs.
- Replace log(s) if broken or chipped (dime-size or larger).

Fig. 49



## TROUBLESHOOTING

- ⚠ WARNING:** If you smell gas:
- Shut off gas supply.
  - Do not try to light any appliance.
  - Do not touch any electrical switch; do not use any phone in your building.
  - Immediately call your gas supplier from a neighbor's phone. Follow the gas supplier's instructions.
  - If you cannot reach your gas supplier, call the fire department.

**IMPORTANT:** Operating heater where impurities in air exist may create odors. Cleaning supplies, paint, paint remover, cigarette smoke, cements and glues, new carpet or textiles, etc., create fumes. These fumes may mix with combustion air and create odors.

**⚠ WARNING:** Make sure that power is turned off before proceeding.

**⚠ WARNING:** Turn off and let cool before servicing. Only a qualified service person should service and repair heater.

**⚠ CAUTION:** Never use a wire, needle, or similar object to clean ODS/pilot. This can damage ODS/pilot unit.

Problem	Possible Cause	Corrective Action
When ignitor button is pressed in, there is no spark at ODS/pilot.	<ol style="list-style-type: none"> <li>1. Ignitor electrode is positioned wrong.</li> <li>2. Ignitor electrode is broken.</li> <li>3. Ignitor electrode is not connected to ignitor cable.</li> <li>4. Ignitor cable is pinched or wet.</li> <li>5. Damaged ignitor cable.</li> <li>6. Bad piezo ignitor.</li> <li>7. Low battery.</li> </ol>	<ol style="list-style-type: none"> <li>1. Replace electrode.</li> <li>2. Replace electrode.</li> <li>3. Replace ignitor cable</li> <li>4. Free ignitor cable if pinched by any metal or tubing. Keep ignitor cable dry.</li> <li>5. Replace ignitor cable.</li> <li>6. Replace piezo ignitor.</li> <li>7. Replace battery.</li> </ol>
When ignitor button is pressed in, there is a spark at ODS/pilot but no ignition.	<ol style="list-style-type: none"> <li>1. Control knob not fully pressed in.</li> <li>2. Control knob not pressed in long enough.</li> <li>3. Equipment shutoff valve not fully open.</li> <li>4. Thermocouple connection loose at control valve.</li> <li>5. Pilot flame not touching thermocouple, which allows thermocouple. This problem could be caused by one or both of the following:               <ol style="list-style-type: none"> <li>a) Low gas pressure.</li> <li>b) Dirty or partially clogged ODS/pilot</li> </ol> </li> <li>6. Depleted gas supply.</li> </ol>	<ol style="list-style-type: none"> <li>1. Pressed in control knob fully.</li> <li>2. After ODS/pilot lights, keep control knob pressed in 30 seconds.</li> <li>3. Fully open equipment shutoff valve.</li> <li>4. Hand tighten until snug, and then tighten 1/4 turn more.</li> <li>5. a) Contact local natural or propane/LP gas company. b) Clean ODS/pilot (see Care and Maintenance page 28), or replace ODS/pilot assembly.</li> <li>6. Contact local propane/LP Gas Company.</li> </ol>

<b>Problem</b>	<b>Possible Cause</b>	<b>Corrective Action</b>
ODS/pilot lights but flame goes out when control knob is released.	<ol style="list-style-type: none"> <li>1. Gas supply turned off or equipment shutoff valve closed.</li> <li>2. Control knob not fully pressed in while pressing ignitor button.</li> <li>3. Air in gas lines when installed.</li> <li>4. ODS/pilot is clogged.</li> <li>5. Control knob not in pilot position.</li> <li>6. Diaphragm in regulator is stuck.</li> </ol>	<ol style="list-style-type: none"> <li>1. Turn on gas supply or open equipment shutoff valve.</li> <li>2. Fully press in control knob while pressing ignitor button.</li> <li>3. Continue holding down control knob. Repeat igniting operation until air is removed.</li> <li>4. Clean ODS/pilot (see Care and Maintenance page 28) or replace ODS/pilot assembly.</li> <li>5. Turn control knob to pilot position.</li> <li>6. Replace gas regulator. Do not attempt to fix.</li> </ol>
Burner(s) does not light after ODS/pilot is lit	<ol style="list-style-type: none"> <li>1. Burner orifice is clogged.</li> <li>2. Burner orifice diameter is too small.</li> <li>3. Inlet gas pressure is too low.</li> </ol>	<ol style="list-style-type: none"> <li>1. Burner orifice (see Care and Maintenance, page 28) or contact customer service.</li> <li>2. Contact customer service.</li> <li>3. Contact your gas supplier.</li> </ol>
Delayed ignition of burner(s).	<ol style="list-style-type: none"> <li>1. Manifold pressure is too low.</li> <li>2. Burner orifice is clogged.</li> </ol>	<ol style="list-style-type: none"> <li>1. Contact your gas supplier.</li> <li>2. Clean burner (see Care and Maintenance, page 28) or contact customer service.</li> </ol>
Burner backfiring during combustion	<ol style="list-style-type: none"> <li>1. Burner orifice is clogged or damaged.</li> <li>2. Burner is damaged.</li> <li>3. Gas regulator is damaged.</li> </ol>	<ol style="list-style-type: none"> <li>1. Clean burner orifice (see Care and Maintenance, page 28) or contact customer service.</li> <li>2. Contact dealer or customer service.</li> <li>3. Replace gas regulator.</li> </ol>
Gas odor during combustion.	<ol style="list-style-type: none"> <li>1. Foreign matter between control valve and burner.</li> <li>2. Gas leak. (See Warning Statement at top of page 30)</li> </ol>	<ol style="list-style-type: none"> <li>1. Take apart gas tubing and remove foreign matter.</li> <li>2. Locate and correct all leaks (see "Checking Gas Connections," page 19)</li> </ol>

<b>Problem</b>	<b>Possible Cause</b>	<b>Corrective Action</b>
Slight smoke or odor during initial operation	<ol style="list-style-type: none"> <li>1. Residues from manufacturing process.</li> <li>2. Not enough combustion/ventilation air.</li> </ol>	<ol style="list-style-type: none"> <li>1. Problem will stop after a few hours of operation.</li> <li>2. Refer to air for combustion and ventilation requirements.</li> </ol>
Heater produces a clicking/ticking noise just after burner is lit or shut off.	<ol style="list-style-type: none"> <li>1. Metal is expanding while heating or contracting while cooling.</li> </ol>	<ol style="list-style-type: none"> <li>1. This is common with most heaters. If noise is excessive, contact qualified service technician.</li> </ol>
White powder residue forming within burner box or on adjacent walls or furniture	<ol style="list-style-type: none"> <li>1. When heated, the vapors from furniture polish, wax, carpet cleaners, etc., turn into white powder residue.</li> </ol>	<ol style="list-style-type: none"> <li>1. Turn heater off when using furniture polish, wax, carpet cleaner or similar products.</li> </ol>
Heater produces unwanted odors.	<ol style="list-style-type: none"> <li>1. Heater is burning vapors from paint, hair spray, glues, etc. See IMPORTANT statement, page 30.</li> <li>2. Gas leak. See Warning Statement at the top of page 30.</li> <li>3. Low fuel supply.</li> </ol>	<ol style="list-style-type: none"> <li>1. Ventilate room. Stop using odor causing products while heater is running.</li> <li>2. Locate and correct all leaks (see "Checking Gas Connections," page 19).</li> <li>3. Refill supply tank (Propane /LP models).</li> </ol>
Heater shuts off in use (ODS operates).	<ol style="list-style-type: none"> <li>1. Not enough fresh air is available.</li> <li>2. Low line pressure.</li> <li>3. ODS/pilot is partially clogged.</li> </ol>	<ol style="list-style-type: none"> <li>1. Open window and/or door for ventilation.</li> <li>2. Contact local gas supplier.</li> <li>3. Clean ODS/pilot (see Care and Maintenance, page 28).</li> </ol>
Gas odor exists even when control knob is in OFF position.	<ol style="list-style-type: none"> <li>1. Gas leak. See Warning Statement at top of page 30.</li> <li>2. Control valve is defective.</li> </ol>	<ol style="list-style-type: none"> <li>1. Locate and correct all leaks (see "Checking Gas Connections", page 19).</li> <li>2. Contact customer service.</li> </ol>
Moisture/condensation noticed on windows.	<ol style="list-style-type: none"> <li>1. Not enough combustion/ventilation air.</li> </ol>	<ol style="list-style-type: none"> <li>1. Refer to "Air for Combustion and Ventilation" requirements, page 8.</li> </ol>



## **REPLACEMENT PARTS**

---

**NOTE:** Use only original replacement parts. This will protect your warranty coverage for parts replaced under warranty.

### **PARTS UNDER WARRANTY**

Call Customer Service toll free at (877)886-5989 for referral information.

When calling Customer Service, have ready:

- Your name
- Your address
- Model and serial number of your heater
- How heater was malfunctioning
- Type of gas used (Propane/LP or Natural gas/NG)
- Purchase date
- Usually, we will ask you to return the defective part to the factory

### **PARTS NOT UNDER WARRANTY**

Call Customer Service toll free at (877)886-5989 for referral information.

When calling Customer Service have ready:

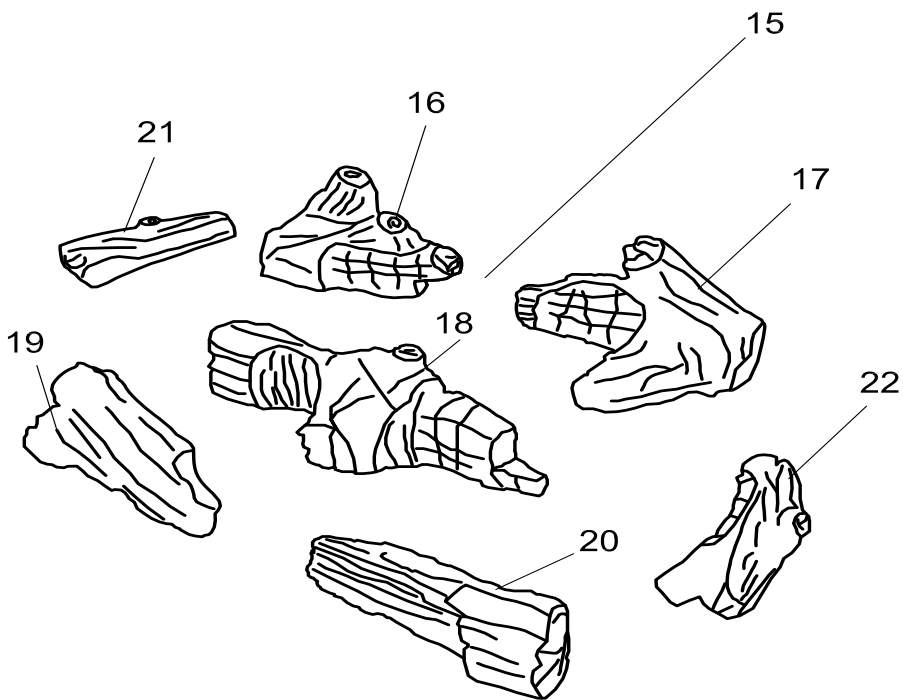
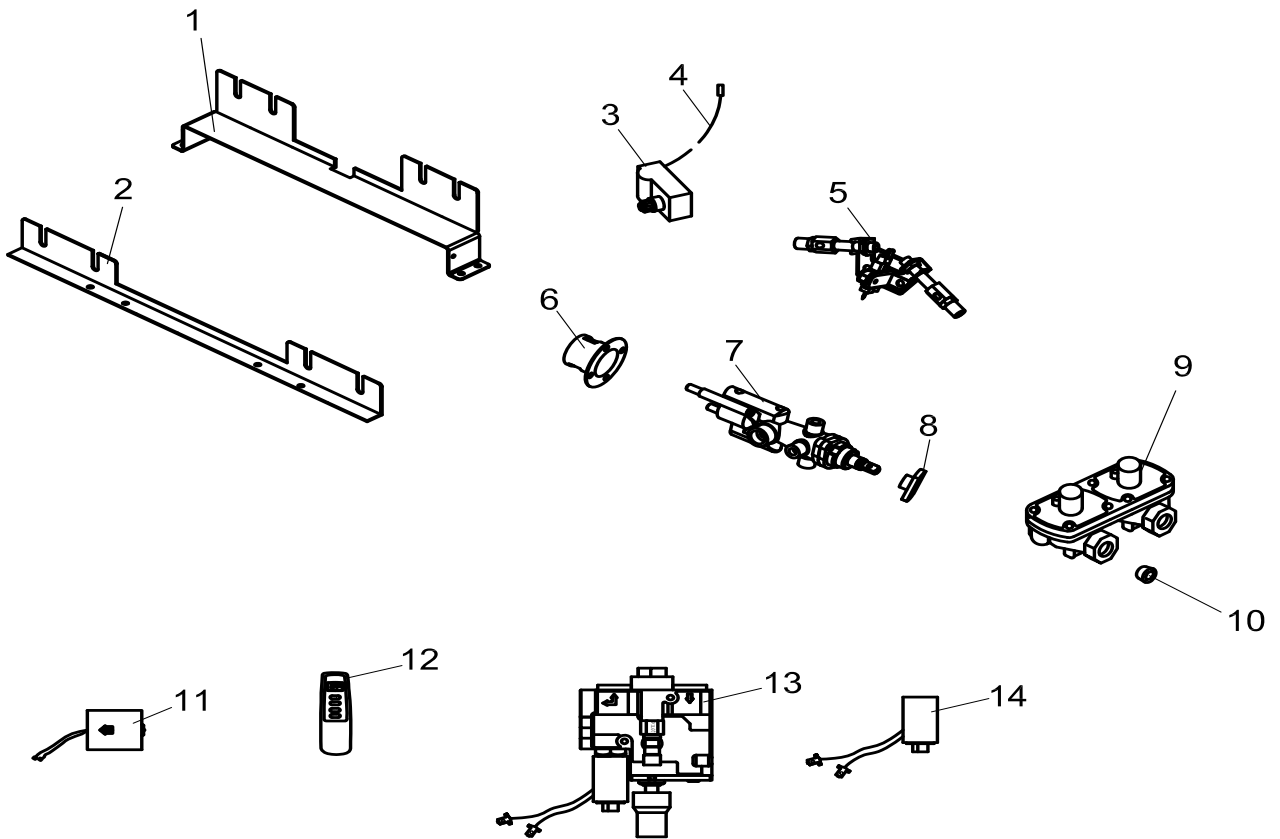
- Model number of your heater
- The replacement part number

## REPLACEMENT PARTS LIST

For replacement parts, call our customer service department at 1-877886-5989,  
8:00 a.m - 4:30 p.m., EST, Monday - Friday or e-mail [customerservice@usaprocom.com](mailto:customerservice@usaprocom.com).

Part	Description	Part #	QTY
1	Mid Log Bracket	WYL006-02D	1
2	Front Log Bracket	WYL005-01F	1
3	"Piezo Ignitor"	PIMSC1-01	1
4	"Ignitor Cable"	ML073-04	1
5	"DF ODS"	NDD0308-400	1
6	"Air Shutter"	FBB28D11	1
7	Fuel Selection Device Assembly	YDF06-PCDS24RT	1
8	Knob	MDL304B	1
9	DF Regulator	RV83FI-4/9	1
10	Regulator Plug	PF120820	2
11	Receive Box	UN3	1
12	Remote Control	CON1001TH	1
13	AF Valve	AF-1110	1
14	Solenoid	AS-1000S	1
15	Log Assembly	WYB522-02	1
16	Log 1	WYL522-1	1
17	Log 2	WYL522-2	1
18	Log 3	WYL522-3	1
19	Log 4	WYL522-4	1
20	Log 5	WYL522-5	1
21	Log 6	WYL522-6	1
22	Log 7	WYL522-7	1
<b>Part Available----Not Shown</b>			
	Manual	PC-PCDS24RT-1203	1
	Hardware Packaging	24-RT	
	Bag For Accessory	ML064-01	2
	Hex Wrench	FB28D20	1
	AAA Battery	PCAM-012	3
	AA Battery	PCAM-018	4
	Self Tapping Screw	MAL040-01	2

PCDS24RT



## WARRANTY INFORMATION

### Keep This Warranty

**IMPORTANT:** We urge you to fill your warranty registration card within TEN(10) days of date of installation, complete with the entire serial number which can be found on the rating plate. Retain this portion of the card for your record.

Always specify model and serial numbers when communicating with customer service.

We reserve the right to amend these specifications at any time without notice. The only warranty applicable is our standard written warranty. We make no other warranty, expressed or implied.

#### **LIMITED WARRANTY:**

PRO-COM warrants this product to be free from defects in materials and components for ONE (1) year from the date of first purchase, provided that the product has been properly installed, operated and maintained in accordance with all applicable instructions, to make a claim under this warranty, the Bill of Sale or cancelled check must be presented.

#### **RESPONSIBILITY OF OWNER**

This warranty is extended only to the original retail purchaser. This warranty covers the cost of part(s) required to restore this heater to proper operating condition and an allowance for labor when provided by a PRO-COM Authorized Service Center. Warranty part(s) MUST be obtained through authorized dealers of this product and/or PRO-COM who will provide original factory replacement parts. Failure to use original factory replacement parts voids this warranty. The heater MUST be installed by a qualified installer in accordance with all local codes and instructions furnished with the unit.

#### **WHAT IS NOT COVERED**

This warranty does not apply to parts that are not in original condition because of normal wear and tear or parts that fail or become damaged as a result of misuse, accidents, lack of proper maintenance or defects caused by improper installation. Travel, diagnostic cost, labor, transportation and any and all such other costs related to repairing a defective heater will be the responsibility of the owner.

TO THE FULL EXTENT ALLOWED BY THE LAW OF THE JURISDICTION THAT GOVERNS THE SALE OF THE PRODUCT, THIS EXPRESS WARRANTY EXCLUDES ANY AND ALL OTHER EXPRESSED WARRANTIES AND LIMITS THE DURATION OF ANY AND ALL IMPLIED WARRANTIES. INCLUDING WARRANTIES OF MERCHANTABILITY AND FITNESS FOR A PARTICULAR PURPOSE TO ONE (1) YEARS ON ALL COMPONENTS FROM THE DATE OF FIRST PURCHASE. PRO-COM'S LIABILITY IS HEREBY LIMITED TO THE PURCHASE PRICE OF THE PRODUCT AND PRO-COM SHALL NOT BE LIABLE FOR ANY OTHER DAMAGES WHATSOEVER INCLUDING INDIRECT. INCIDENTAL OR CONSEQUENTIAL DAMAGES.

Some states do not allow a limitation on how long an implied warranty lasts or an exclusion or limitation of accidental or consequential damages, the above limitation on implied warranties, or exclusion or limitation on damages may not apply to you.

This warranty gives you specific legal right, and you may also have other rights that vary from state to state.

Printed in China