



www.kregtool.com
800.447.8638

Drawer Mounting Brackets

For full-Extension Slides

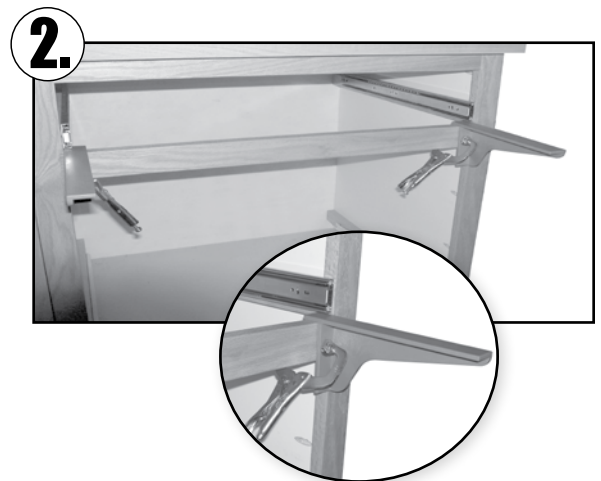
NZ03-B

Our mounting brackets are designed to ease the process of aligning a full-extension drawer slide to the drawer box once the slide has been mounted into the cabinet. Brackets are designed to work with both face frame and frameless cabinets.

To use with face frame cabinets...

Install full-extension drawer slides with our Magnetic Drawer Slide Mounting Tool (NZ03). This will position the slide $\frac{1}{4}$ " off the bottom of the face frame.

Place the brackets into the drawer box opening so that the support tabs of the brackets rest on the top of the face frame rail and under the slide as shown. Clamp the bracket to the face frame to hold it in position.



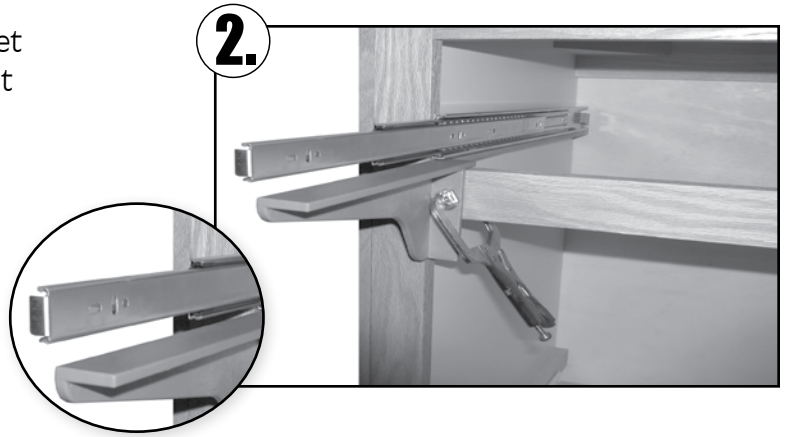
KREG TOOL COMPANY
201 Campus Drive
Huxley, Iowa 50124

www.kregtool.com

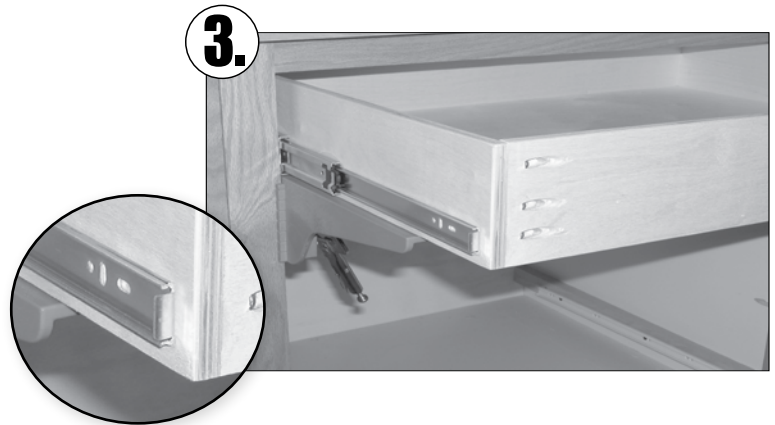
800.447.8638

FT4410B

Pull out the slides on both sides of the cabinet so they are approximately 10" from the front of the face frame.



Position the drawer box in the opening so it balances on the brackets. Position the end of the slide so that it sets back from the face of the drawer box.



Start a screw at the endpoint of the slide. Continue to add screws and then pull the drawer box out further to finish the process. Remove brackets and you have perfect drawer box alignment!



To use with frameless cabinets...

For frameless cabinets, reverse the brackets end-for-end and swap sides so the long toe points inward as shown. Move the brackets into position so that they contact the base of the slides. Clamp into place as shown and continue mounting the drawer box as described in the framed cabinet example above.

