

# OPERATING INSTRUCTIONS AND OWNER'S MANUAL

## MR. HEATER

MODEL

MH55FAV, MH60FAV, MH85FAV,  
MH125FAV  
PA55FAV, PA85FAV, PA125FAV

### READ INSTRUCTIONS CAREFULLY:

Read and follow all instructions. Place instructions in a safe place for future reference. Do not allow anyone who has not read these instructions to assemble, light, adjust or operate the heater.

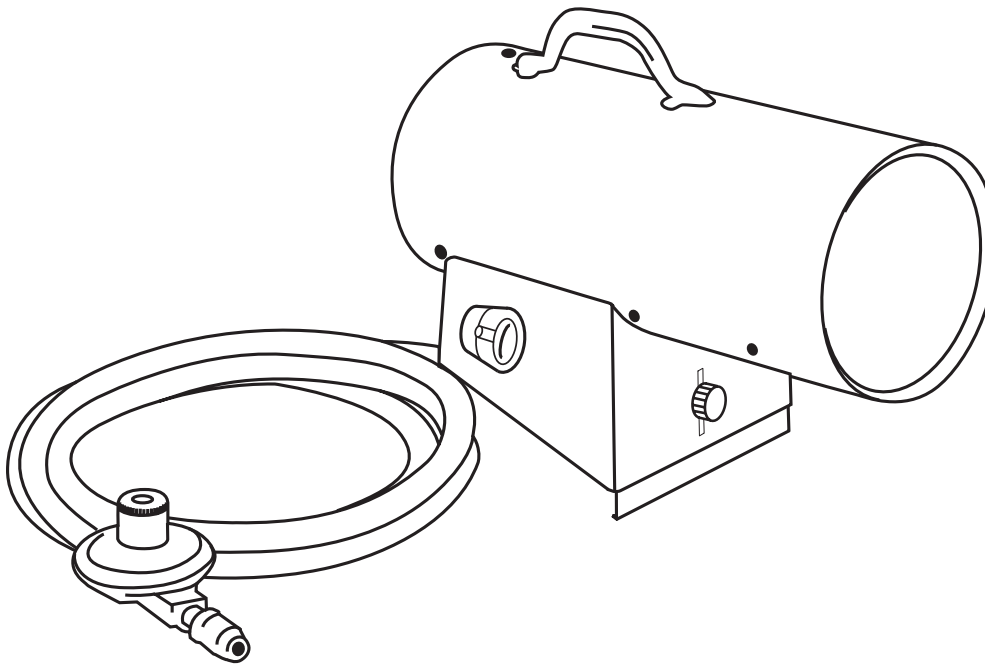
## HEATSTAR

MODEL

HS55FAV, HS85FAV, HS125FAV

## FORCED AIR PROPANE CONSTRUCTION HEATER

For model serial numbers, see page E10.



### LANGUAGES

#### ENGLISH

Pages E1 — E10

#### SPANISH

Pages S1 — S11

#### FRENCH

Pages F1 — F11

**⚠ WARNING: If the information in this manual is not followed exactly, a fire or explosion may result causing property damage, personal injury or loss of life.**

- Do not store or use gasoline or other flammable vapors and liquids in the vicinity of this or any other appliance.
- An LP cylinder not connected for use shall not be stored in the vicinity of this or any other appliance.
- WHAT TO DO IF YOU SMELL GAS
  - Do not try to light appliance.
  - Extinguish any open flame.
  - Shut off gas to appliance.
- Service must be performed by a qualified service agency.

This is an unvented gas-fired portable heater. It uses air (oxygen) from the area in which it is used. Adequate combustion and ventilation air must be provided. Refer to page 3.

**⚠ WARNING:** YOUR SAFETY IS IMPORTANT TO YOU AND TO OTHERS, SO PLEASE READ THESE INSTRUCTIONS BEFORE YOU OPERATE THIS HEATER.

### GENERAL HAZARD WARNING:

- ⚠ FAILURE TO COMPLY WITH THE PRECAUTIONS AND INSTRUCTIONS PROVIDED WITH THIS HEATER, CAN RESULT IN DEATH, SERIOUS BODILY INJURY AND PROPERTY LOSS OR DAMAGE FROM HAZARDS OF FIRE, EXPLOSION, BURN, ASPHYXIATION, CARBON MONOXIDE POISONING, AND/OR ELECTRICAL SHOCK.**
- ⚠ ONLY PERSONS WHO CAN UNDERSTAND AND FOLLOW THE INSTRUCTIONS SHOULD USE OR SERVICE THIS HEATER.**
- ⚠ IF YOU NEED ASSISTANCE OR HEATER INFORMATION SUCH AS AN INSTRUCTIONS MANUAL, LABELS, ETC. CONTACT THE MANUFACTURER.**

**⚠ WARNING:** NOT FOR HOME OR RECREATIONAL VEHICLE USE

**⚠ WARNING:** FIRE, BURN, INHALATION, AND EXPLOSION HAZARD. KEEP SOLID COMBUSTIBLES, SUCH AS BUILDING MATERIALS, PAPER OR CARDBOARD, A SAFE DISTANCE AWAY FROM THE HEATER AS RECOMMENDED BY THE INSTRUCTIONS NEVER USE THE HEATER IN SPACES WHICH DO OR MAY CONTAIN VOLATILE OR AIRBORNE COMBUSTIBLES, OR PRODUCTS SUCH AS GASOLINE, SOLVENTS, PAINT THINNER, DUST PARTICLES OR UNKNOWN CHEMICALS.

**The State of California requires the following warning:**

**⚠ WARNING:** COMBUSTION BY-PRODUCTS PRODUCED WHEN USING THIS PRODUCT CONTAIN CARBON MONOXIDE, A CHEMICAL KNOWN TO THE STATE OF CALIFORNIA TO CAUSE CANCER AND BIRTH DEFECTS (OR OTHER REPRODUCTIVE HARM).

## CONTENTS

HEATER SPECIFICATIONS.....	E-2
WARNINGS.....	E-2
OPERATING PRECAUTIONS.....	E-3
SAFETY PRECAUTIONS.....	E-4
ODOR FADE WARNING.....	E-5
OPERATING INSTRUCTIONS.....	E-6
SERVICING.....	E-6
SIZE AND CAPACITY OF PROPANE CYLINDERS REQUIRED.....	E-7
WIRING DIAGRAMS.....	E-8
55FAV PARTS.....	E-9
60FAV PARTS.....	E-9
85FAV PARTS.....	E-9
125FAV PARTS.....	E-9
WARRANTY.....	E-11

## SPECIFICATIONS

Type of Gas:..... For use with Propane Only

Gas Supply Pressure

to regulator ..... Max.: Bottle Pressure

to regulator ..... Min.: 5 psig (34.5 kPa)

regulator out ..... 27.5" W.C. (6.84 kPa)

Electrical Input:..... 115V, 60 Hz, 1Ø, 3a

Min. Operating Voltage: 100V

Ignition:..... Direct Spark

Primary

Flame Control:..... Thermocouple Operated Gas Valve

High Temperature

Control:..... 240°F (116°C)

Min. Ambient Temp. Rating 0°F (-17.8°C)

## SPECIFICATIONS

Model:	55FAV	60FAV	85FAV	125FAV
Rating:	30,000 - 55,000 Btu/Hr (8.8 - 16.1 kW)	30,000 - 65,000 Btu/Hr (8.8 - 19.0 kW)	50,000 - 85,000 Btu/Hr (14.6 - 25.0 kW)	75,000 - 125,000 Btu/Hr (21.9 - 36.6 kW)
Fuel Consumption:	1.4-2.5 #/hr (.64-1.1 kg/hr)	1.4 - 3.0 #/hr (0.64 - 1.36 kg/hr)	2.3 - 3.9 #/hr (1.04 - 1.77 kg/hr)	3.5 - 5.8 #/hr (1.59 - 2.63 kg/hr)
Fuel Ori□ce Port No.:	18	18	18	18
Fuel Ori□ce Port Size:	0.0196" (0.50mm)	0.0247" (0.52mm)	0.0236" (0.60mm)	0.0295" (0.75mm)
Heated Air Output:	300 cfm (8.49 cmm)	300 cfm (8.49 cmm)	300 cfm (8.49 cmm)	350 cfm (9.91 cmm)
Average Air Temp. Rise:	200°F (111°C)	200°F (111°C)	200°F (111°C)	400°F (232°C)

## OPERATING PRECAUTIONS

This is a propane, direct-fired, forced air heater. It's intended use is primarily temporary heating of buildings under construction, alteration or repair.

Propane is heavier than air. If propane leaks from a connection or fitting, it sinks to the floor, collecting there with the surrounding air, forming a potentially explosive mixture. Obviously, propane leaks should be avoided, so set up the propane supply with utmost care. Read enclosed Odor Fade and Propane Sheet for additional information about detecting propane leaks. Leak check new connections or reconnections with a soap and water solution and follow all connection instructions herein. Also, ask your propane dealer for advice on the propane application and supply installation and ask him to check it if there are any questions.

This heater was designed and certified for use as a construction heater in accordance with ANSI Z83.7a/CGA 2.14a-2007. Check with your local fire safety authority if you have any questions about your applications. Other standards govern the use of fuel gases and heat producing products in specific applications. Your local authority can advise you about these.

Direct-Fired means that all of the combustion products enter the heated space. Even though this heater operates very close to 100 percent combustion efficiency, it still produces small amounts of carbon monoxide. Carbon monoxide (called CO) is toxic. We can tolerate small amounts but not a lot. CO can build up in a heated space and failure to provide adequate ventilation could result in death. The symptoms of inadequate ventilation are:

- headache
- dizziness
- burning eyes and nose
- nausea
- dry mouth or sore throat

So, be sure to follow advice about ventilation in these operating instructions.

Forced Air means that a blower or fan pushes the air through the heater. Proper combustion depends upon this air flow; therefore, the heater must not be revised, modified or operated with parts removed or missing. Likewise, safety systems must not be circumvented or modified in order to operate the heater.

When the heater is to be operated in the presence of other people the user is responsible for properly acquainting those present with the safety precautions and instructions, and of the hazards involved.

# SAFETY PRECAUTIONS

1. Check the heater thoroughly for damage. DO NOT operate a damaged heater.
2. DO NOT modify the heater or operate a heater which has been modified from its original condition.
3. Use only propane gas.
4. Use only VAPOR WITHDRAWAL propane supply. If there is any question about vapor withdrawal, ask your propane dealer.
5. Mount the propane cylinders vertically (shutoff valve up). Secure them from falling or being knocked over and protect them from damage.
6. Locate propane containers at least (USA) 7 ft. (2.13m), (Canada) 10 ft. (3m) from the heater and **do not** direct exhaust toward containers.
7. **IMPORTANT** Use only the hose and regulator assembly provided with the heater. Match the color stripe on the hangtag attached to the hose assembly with the color on the label located near the propane inlet fitting on the heater. Inspect hose assembly before each use of the heater. If there is excessive abrasion or wear, or hose is cut, replace with hose assembly listed on parts list before using heater.
8. For indoor use only. Area must be well ventilated. **Figure 1.** (also see "Operating Precautions").
9. If at any time gas odor is detected, IMMEDIATELY DISCONTINUE operation until the source of gas has been located and corrected. Read enclosed Odor fade and Propane Sheet for additional information about detecting propane leaks.
10. Install the heater such that it is not directly exposed to water spray, rain and/or dripping water.
11. Maintain minimum clearance from normal combustible material (like paper). **Figure 2.**
12. Due to the high surface and exhaust temperatures, adults and children must observe clearances to avoid burns or clothing ignition.
13. Operate only on a stable, level surface.
14. Do not use with duct work. Do not restrict inlet or exit.
15. Use only the electrical power specified. The electrical connection and grounding must comply with National Electrical Code - ANSI/NFPA 70 (USA) and CSA C22.1 Canadian Electrical Code, Part 1 (Canada).
16. Use only a properly grounded 3-prong receptacle or extension cord.
17. Do not move, handle or service while hot or burning.
18. **Do not adjust the heater combustion tube elevation while heater is running or hot. Adjustments to elevation should only be made after the heater has cooled to touch.**
19. Use only in accordance with local codes or, in the absence of local codes, with the Standard for the Storage and Handling of Liquefied Petroleum Gases ANSI/NFPA 58 and CSA B149.1, Natural Gas and Propane Installation Code.

**Figure 1**

VENTILATION: Minimum openings required		
Heater	Opening near floor	Opening near ceiling
Forced air (55, 60).....	1 ft <sup>2</sup> .....	1 ft <sup>2</sup>
Forced air (85, 125) .....	2 ft <sup>2</sup> .....	2 ft <sup>2</sup>

**Figure 2**

MINIMUM CLEARANCE: From normal combustible material	
Clearance	55, 60, 85, 125 Forced Air
From floor.....	0 ft
From outlet.....	6 ft
From sides .....	2 ft
From top.....	3 ft

Locate 10 ft. from canvas or plastic tarpaulins or similar coverings and secure them to prevent flapping or movement due to wind action.

## ODOR FADE WARNING

### WARNING

#### ⚠️ Asphyxiation Hazard

- Do not use this heater for heating human living quarters.
- Do not use in unventilated areas.
- The flow of combustion and ventilation air must not be obstructed.
- Proper ventilation air must be provided to support the combustion air requirements of the heater being used.
- Refer to the specification section of the heater's manual, heater data plate, or contact the factory to determine combustion air ventilation requirements of the heater.
- Lack of proper ventilation air will lead to improper combustion.
- Improper combustion can lead to carbon monoxide poisoning leading to serious injury or death. Symptom of carbon monoxide poisoning can include headaches, dizziness and difficulty in breathing.

## FUEL GAS ODOR

LP gas and natural gas have man-made odorants added specifically for detection of fuel gas leaks.

**If a gas leak occurs you should be able to smell the fuel gas. Since Propane (LP) is heavier than air you should smell for the gas odor low to the floor. ANY GAS ODOR IS YOUR SIGNAL TO GO INTO IMMEDIATE ACTION!**

- Do not take any action that could ignite the fuel gas. Do not operate any electrical switches. Do not disconnect any power supply or extension cords. Do not light matches or any other source of flame. Do not use your telephone.
- Get everyone out of the building and away from the area immediately.
- Close all propane (LP) gas tank or cylinder fuel supply valves, or the main fuel supply valve located at the meter if you use natural gas.
- Propane (LP) gas is heavier than air and may settle in low areas. When you have reason to suspect a propane leak, keep out of all low areas.
- Use your neighbor's phone and call your fuel gas supplier and your fire department. Do not re-enter the building or area.
- Stay out of the building and away from the area until declared safe by the firefighters and your fuel gas supplier.
- FINALLY, let the fuel gas service person and the firefighters check for escaped gas. Have them air out the building and area before you return. Properly trained service people must repair any leaks, check for further leakages, and then relight the appliance for you.

## ODOR FADING - NO ODOR DETECTED

- Some people cannot smell well. Some people cannot smell the odor of the man-made chemical added to propane (LP) or natural gas. You must determine if you can smell the odorant in these fuel gases.
- Learn to recognize the odor of propane (LP) gas and natural gas. Local propane (LP) gas dealers will be more than happy to give you a scratch and sniff pamphlet. Use it to become familiar with the fuel gas odor.
- Smoking can decrease your ability to smell. Being around an odor for a period of time can affect your sensitivity to that particular odor. Odors present in animal confinement buildings can mask fuel gas odor.
- **The odorant in propane (LP) gas and natural gas is colorless and the intensity of its odor can fade under some circumstances.**
- If there is an underground leak, the movement of gas through the soil can filter the odorant.
- Propane (LP) gas odor may differ in intensity at different levels. Since Propane (LP) gas is heavier than air, there may be more odor at lower levels.
- **Always be sensitive to the slightest gas odor.** If you continue to detect any gas odor, no matter how small, treat it as a serious leak. Immediately go into action as discussed previously.

## ATTENTION - CRITICAL POINTS TO REMEMBER!

- Propane (LP) gas has a distinctive odor. Learn to recognize these odors. (Reference Fuel Gas Odor and Odor Fading sections above.)
- Even If you are not property trained in the service and repair of the heater, ALWAYS be consciously aware of the odors of propane (LP) gas and natural gas.
- If you have not been properly trained in repair and service of propane (LP) gas then do not attempt to light heater, perform service or repairs, or make any adjustments to the heater on the propane (LP) gas fuel system.
- A periodic sniff test around the heater or at the heater's joints; i.e. hose, connections, etc., is a good safety practice under any conditions. If you smell even a small amount of gas, CONTACT YOUR FUEL GAS SUPPLIER IMMEDIATELY. DO NOT WAIT!

## OPERATING INSTRUCTIONS

### PREPARING FOR OPERATION

1. Check the heater for possible shipping damage. If any is found, *immediately* notify the factory.
2. Follow all of the "Precautions".
3. Connect the POL fitting of hose and regulator assembly to the propane cylinder by rotating the POL nut counterclockwise into the propane cylinder's valve outlet and securely tighten with a wrench.
4. Connect the hose to the heater by rotating the hose fitting clockwise.
5. Securely tighten all gas connections.
6. Open the cylinder's gas valve and check all gas connections with a soap and water solution. **DO NOT USE A FLAME.**
7. Connect power cord to well-grounded 115V, 60 Hz, 1Ø source of power.
8. When using an extension cord, make certain that it is a 3-wire (grounded) cord of proper wire size.

### START

1. Before heater ignition, always allow heater fan (blower) to run for 20 seconds to purge fuel.
2. Slowly open the main valve at propane cylinder.
3. Depress the fuel valve button to light the heater.
4. After the heater lights, keep the gas valve button depressed for 15 seconds then release and the heater will continue to operate.
5. Adjust burn rate by setting control knob to desired level.
6. Igniter continues to fire as long as power cord is plugged in.
  - a) Igniter sparks continually.
7. No thermostat usable with these units.

### STOP

1. Securely close valve on the propane cylinder.
2. Continue to operate heater until all fuel in the hose has burned.
3. Unplug the power cord.

### RESTART AFTER SAFETY SHUTDOWN

1. Securely close valve at propane cylinder. Unplug heater.
2. Wait 5 minutes.
3. Restart following "Start" procedure.

## MAINTENANCE AND STORAGE

1. The heater should be inspected before each use, and at least annually by a qualified person.
2. Before each use, check the soft "O" ring seal at the bullnose of the POL fitting. If the "O" ring is cut, scuffed, or otherwise damaged, replace it with part number 73786.
3. Turn off the gas at the LP-gas supply cylinder(s) when the heater is not in use.
4. When the heater is to be stored indoors, the connection between the LP-gas supply cylinder(s) and the heater must be disconnected and the cylinder(s) removed from the heater and stored out of doors and in accordance with Chapter 5 of the standard for Storage and Handling of Liquefied Petroleum Gases ANSI/NFPA 58 and CSA B149.1, Natural Gas and Propane Installation Code.

## SERVICING

A hazardous condition may result if a heater is used that has been modified or is not functioning properly. When the heater is working properly:

- The flame is contained within the heater.
- The flame is essentially blue with perhaps some yellow tipping.
- There is no strong disagreeable odor, eye burning or other physical discomfort.
- There is no smoke or soot internal or external to the heater.
- There are no unplanned or unexplained shut downs of the heater.

The parts lists and wiring diagram show the heater as it was constructed. Do not use a heater which is different from that shown. In this regard, use only the hose, regulator and cylinder connection fitting (called a POL fitting) supplied with the heater. **IMPORTANT** Match the color stripe on the hangtag attached to the hose assembly with the color on the label located near the propane inlet fitting on the heater. Do not use alternates. For this heater, the regulator must be set as shown in "specifications". If there is any uncertainty about the regulator setting, have it checked.

A heater which is *not* working right must be repaired, but *only* by a trained, experienced service person.

In-warranty products will be repaired with no charge for either parts or labor. Please include a brief statement indicating date, place of purchase, the nature of the problem and proof of purchase.

Out-of-warranty products will be repaired with a charge for parts and labor.

## HEATER ELEVATION ADJUSTMENT

This heater is equipped with an elevation adjustment panel located at the exhaust end of the control box.

1. Do not adjust the heater combustion tube elevation while heater is running or hot. Adjustments to elevation should only be made after the heater has cooled to touch.
2. To adjust the heater combustion tube elevation, turn the adjustment screw knob counterclockwise and lift the combustion tube to desired position.

# SIZE AND CAPACITY OF PROPANE CYLINDERS REQUIRED

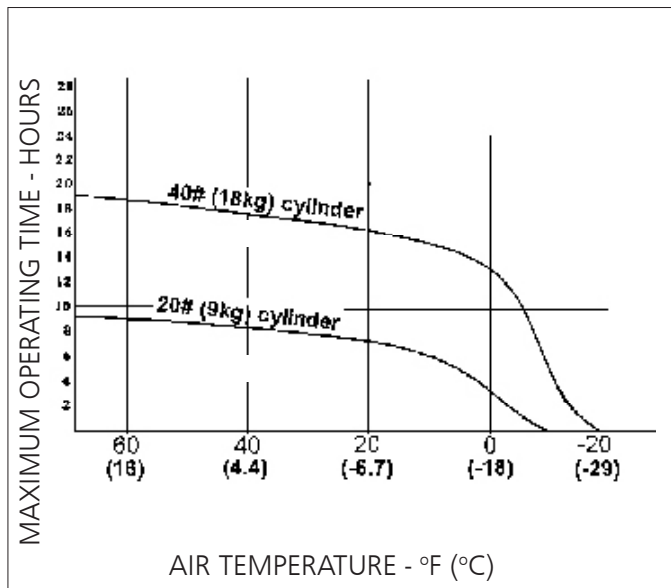
The charts below show the approximate size of the cylinder required for these heaters. To use the chart:

1. Select the lowest air temperature expected (at the bottom of the chart).
2. Move straight up to time of operation desired (left side of chart).
3. Read the cylinder size required.

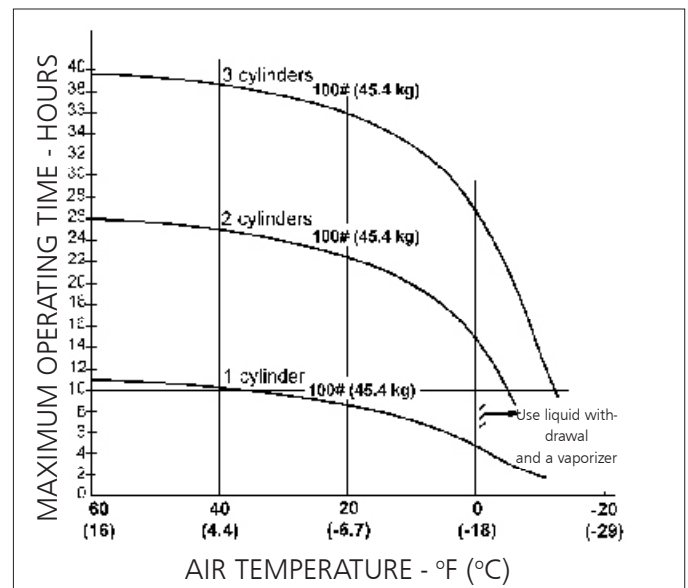
All heaters should have:

- full cylinders
- good air circulation
- no frost on cylinders

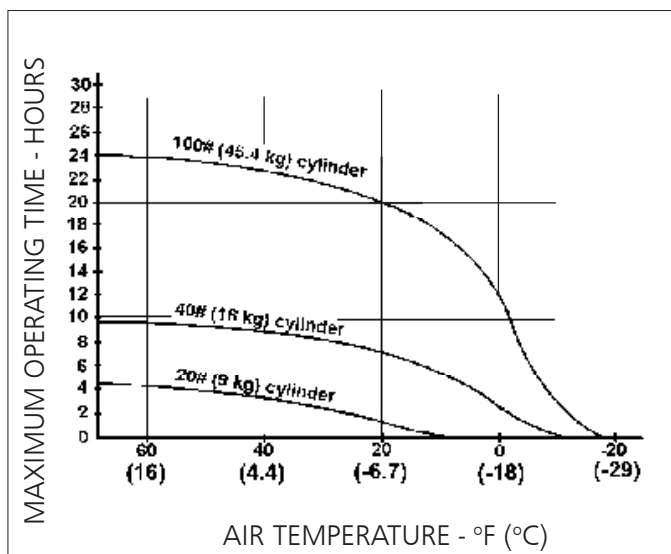
## 55,000 BTU/HR (16.1 kW)



## 125,000 BTU/HR (49.1 kW)

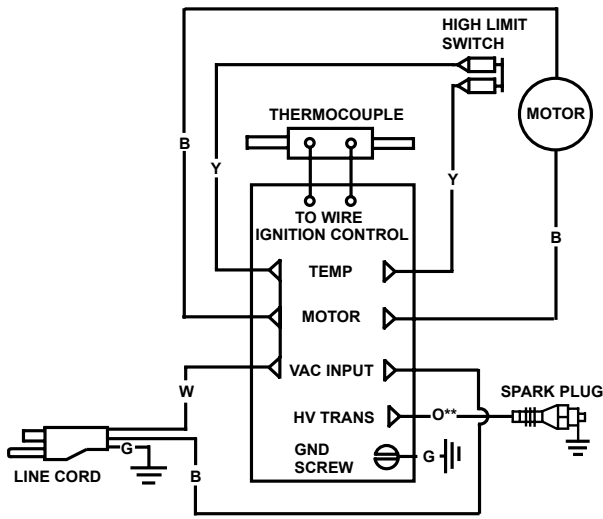


## 85,000 BTU/HR (33.4 kW)

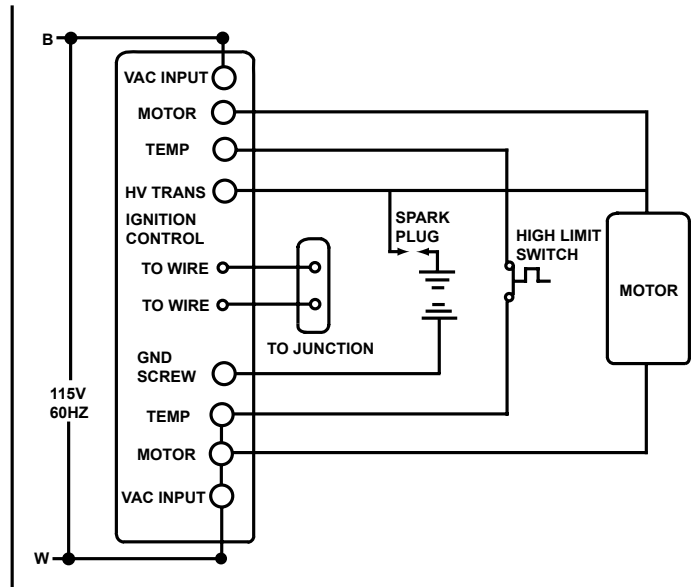


# WIRING DIAGRAMS

CONNECTION DIAGRAM



SCHEMATIC DIAGRAM



COLOR CODE		LEGEND	
B	BLACK	R	RED
W	WHITE	Y	YEL
G	GREEN	O	ORG
			FEMALE CONN.
			RING CONN.

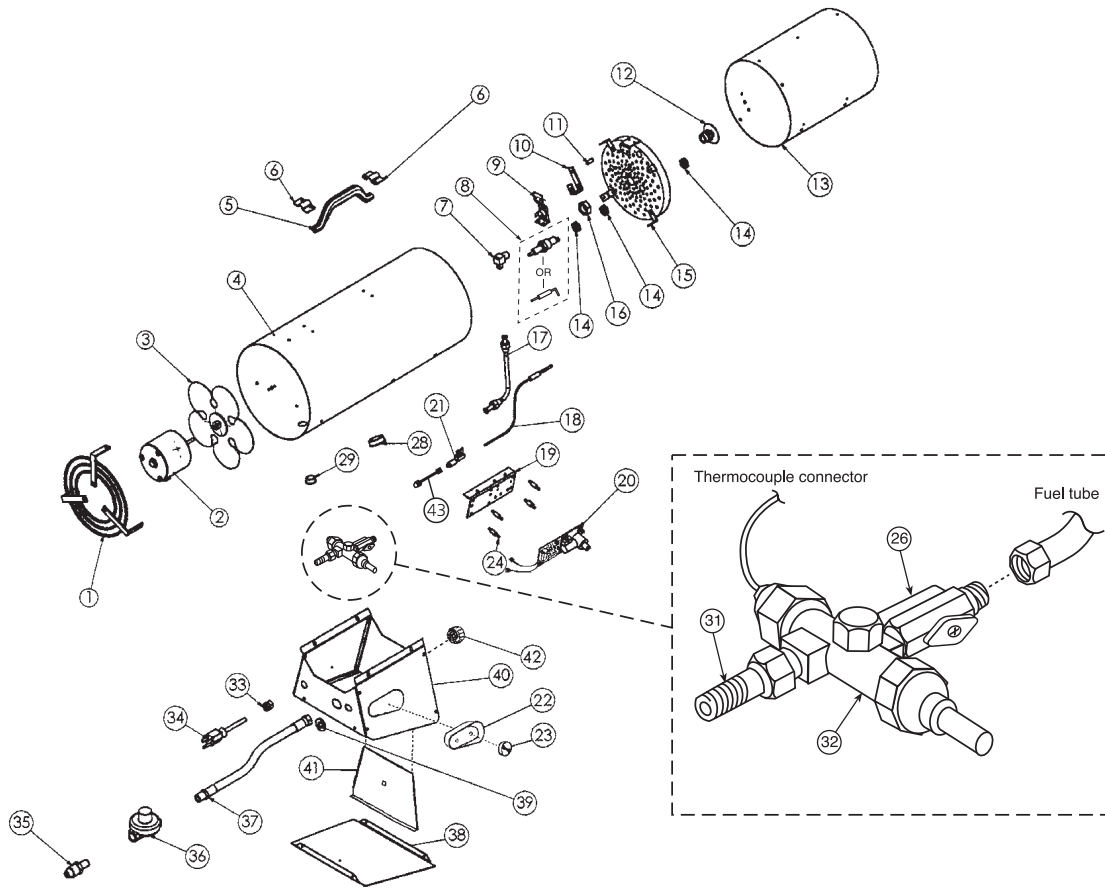
**NOTE:** If any original wiring as supplied with the heater, must be replaced, It must be replaced with Type AWG 105° C wire or its equivalent, except as indicated (Type SF 2.200, \*\*SGI-250° C)

## WIRING CHART (Wire: Type AWG 150° C or equivalent (Type SF2-200, \*\*SGI-250° C))

Color	Length	From	To
Yellow	18" (406mm)	High Limit	Ignition Control Temp. Terminal
Yellow	18" (406mm)	High Limit	Ignition Control Temp Terminal



Forced Air Propane Construction Heater • Model #55FAV, 60FAV, 85FAV, 125FAV



REF. #	#	ITEM	DESCRIPTION	QTY.	REF. #	#	ITEM	DESCRIPTION	QTY.				
55FAV	60FAV	85FAV	125FAV		55FAV	60FAV	85FAV	125FAV					
1	21654	21654	21654	21671	Motor Grille Assy	1	32	27285	27285	27285	27285	Thermoelectric Valve	1
2	21652	21652	21652	21551	Motor Assy	1	33	26223	26223	26223	26223	Strain Relief Bushing	1
3	26086	26086	26086	27898	Fan	1	34	21036	21036	21036	21036	Power Cord Assy	1
4	21729	21729	21729	21998	Outer Shell	1	35	26433	26433	26433	26433	POL Excess Flow 1/4 MPT	1
	21730	21730	21730	21999	Outer Shell - Model TS	1	36	26257	26257	26257	26257	Regulator 28" WC W/POL	1
5	28075	28075	28075	28075	Handle, plastic	1	37	26152	26152	26152	26152	Hose Assy, LP, 12'	1
6	28074	28074	28074	28074	Clip Handle Mounting, plastic	2	*	26152-20	26152-20	26152-20	26152-20	Hose Ass'y, 20' (HS only)	1
7	26121	26121	26121	27433	Ftg, Male Elbow	1	*	21667	21667	21667	21667	Hose & Regulator Ass'y	1
8	21082	—	—	21083	Spark Plug	1	38	24017	24019	24019	24019	Panel, Bottom	1
	—	28166	28167	—	Ignitor Electrode	1	40	24020	24020	24022	24022	Control Box Assy	1
9	21751	21751	21751	22003	High Limit Control Assy	1	41	24023	24023	24025	24025	Elevation Plate	1
10	—	—	23036	23036	Bracket Thermocouple	1	42	25026	25026	25026	25026	Elevation Knob	1
11	—	—	23787	23787	Spacer Thermocouple	1	43	26656	26656	26656	26656	Thermocouple, connector	1
12	21930	22008	22007	22002	Orifice Assy, LP	1	*	26189	—	—	—	Terminal "Y"	2
13	21651	21651	21651	22001	Middle Cylinder Assy	1	*	23676	23676	—	—	Brkt, Motor Mounting	1
14	23037	23037	23037	23037	Spark Plug Nut (2-55FAV)	3	*	26226	26226	—	—	Universal Bushing	1
15	21931	22006	22009	22004	Flame Holder Assy	1	*	70056	70056	70056	70056	Manual, Operating Instr	1
16	23038	23038	23038	23038	Orifice Nut Mtg	1	*	28733	28163	28724	28510	Label, Model	1
17	21941	21655	21655	21655	Fuel Tube Assy	1	*	27783	28727	28784	28784	Label, Operating Instr.	1
18	26655	26655	26655	26655	Thermocouple 10" Lg w/JB.	1	*	26374	26374	26374	26374	Label, Electrical Grounding	1
19	23045	23045	23045	23045	Bracket Ignition / Relay	1	*	27709	27709	27709	27709	Label, Fuel	1
20	23276	23276	23276	23276	Ignition / Relay Module	1	*	27503	27503	27503	27503	Label, Wiring Diagram	1
21	26134	26134	26134	26134	Compression Block, Relay	1	*	26373	26373	26373	26373	Label, Fan Rotation	1
22	27093	27093	27093	27093	Cover, Cup, Valve	1	*	28203	28203	28203	28203	Label Hang Tag, LP	1
23	25027	25027	25027	25027	Knob, Variable Rate	1	*	27704	27704	27704	27704	Label, Warning	1
24	26079	26079	26079	26079	Spacer PC Standoff	3	*	26375	26375	26375	26375	Label Elevation Adjustment	1
26	27422	22010	22011	27418	Variable Rate Valve	1	*	26376	26376	26376	26376	Label Btu/hr Adjustment	1
28	26225	26225	26225	26227	Snap Bushing	1							
29	26224	26224	26224	27158	Snap Bushing, 1/2	1							
31	26127	26127	26127	26127	Ftg, Male Connector	1							
							*					Not shown on exploded view	

# OPERATING INSTRUCTIONS AND OWNER'S MANUAL

## MR. HEATER

## HEATSTAR

MODEL

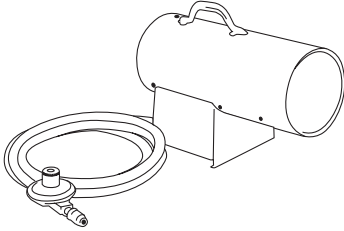
MH55FAV, MH60FAV, MH85FAV,  
MH125FAV  
PA55FAV, PA85FAV, PA125FAV

MODEL

HS55FAV, HS85FAV, HS125FAV

### READ INSTRUCTIONS CAREFULLY:

Read and follow all instructions. Place instructions in a safe place for future reference. Do not allow anyone who has not read these instructions to assemble, light, adjust or operate the heater.



**⚠ WARNING:** USE ONLY MANUFACTURER'S REPLACEMENT PARTS. USE OF ANY OTHER PARTS COULD CAUSE INJURY OR DEATH. REPLACEMENT PARTS ARE ONLY AVAILABLE DIRECT FROM THE FACTORY AND MUST BE INSTALLED BY A QUALIFIED SERVICE AGENCY.

Model	Starting Serial Number
MH55FAV	LN-2700550001001
MH60FAV	LN-2281600001001
MH85FAV	LN-2282850001001
MH125FAV	LN-2701250001001
HS55FAV	LN-1700550001001
HS85FAV	LN-1700850001001
HS125FAV	LN-1701250001001
PA55FAV	LN-2220240001001
PA125FAV	LN-2220450001001

### PARTS ORDERING INFORMATION:

**PURCHASING:** Accessories may be purchased at any Mr. Heater local dealer or direct from the factory

### FOR INFORMATION REGARDING SERVICE

Please call Toll-Free 800-251-0001 • [www.mrheater.com](http://www.mrheater.com)

Our office hours are 8:30 AM – 5:00 PM, EST, Monday through Friday.

Please include the model number, date of purchase, and description of problem in all communication.

### LIMITED WARRANTY

The company warrants this product to be free from imperfections in material or workmanship, under normal and proper use in accordance with instructions of The Company, for a period of one year from the date of delivery to the buyer. The Company, at its option, will repair or replace products returned by the buyer to the factory, transportation prepaid within said one year period and found by the Company to have imperfections in material or workmanship.

If a part is damaged or missing, call our Technical Support Department at 800-251-0001.

Address any Warranty Claims to the Service Department, Mr. Heater, Inc., 4560 W. 160TH ST., CLEVELAND, OHIO 44135. Include your name, address and telephone number and include details concerning the claim. Also, supply us with the purchase date and the name and address of the dealer from whom you purchased our product.

The foregoing is the full extent of the responsibility of the Company. There are no other warranties, express or implied. Specifically there is no warranty of fitness for a particular purpose and there is no warranty of merchantability. In no event shall the Company be liable for delay caused by imperfections, for consequential damages, or for any charges of the expense of any nature incurred without its written consent. The cost of repair or replacement shall be the exclusive remedy for any breach of warranty. There is no warranty against infringement of the like and no implied warranty arising from course of dealing or usage of trade. This warranty will not apply to any product which has been repaired or altered outside of the factory in any respect which in our judgment affects its condition or operation.

Some states do not allow the exclusion or limitation of incidental or consequential damages, so the above limitation or exclusion may not apply to you. This Warranty gives you specific legal rights, and you may have other rights which vary from state to state.

Mr. Heater, Inc. reserves the right to make changes at any time, without notice or obligation, in colors, specifications, accessories, materials and models.



ANSI Z83.7b/CSA 2.14b-2009

MR. HEATER, INC., 4560 W. 160TH ST., CLEVELAND, OHIO 44135 • 216-916-3000  
Mr. Heater is a registered trademark of Mr. Heater, Inc.  
© 2010, Mr. Heater. All rights reserved