



# GAS BARBECUES

## OWNER'S MANUAL

FOR USE WITH L.P. GAS (LIQUIFIED PETROLEUM GAS)  
IN CANADA - PROPANE GAS



ANSI Z21.58a-2008 / CSA 1.6a-2008

### CONTENTS

**SAFETY** .....2

**INSTALLATION** .....2

**L.P. GAS CYLINDER**.....3

**OPD EQUIPPED CYLINDER**.....4

**HOSE & REGULATOR**.....4

**LEAK TESTING** .....5

**VENTURI TUBES** .....5

**LIGHTING** .....6

**OPERATION** .....7

**COOKING TECHNIQUES**.....7

**MAINTENANCE**.....10

**TROUBLE SHOOTING**.....11

**WARRANTY** .....12



#### DANGER

If you smell gas:

1. Shut off gas to the appliance.
2. Extinguish any open flame.
3. Open lid.
4. If odor continues, keep away from the appliance and immediately call your gas supplier or your fire department.



#### WARNING

1. Do not store or use gasoline or other flammable liquids or vapors in the vicinity of this or any other appliance.
2. An LP cylinder not connected for use shall not be stored in the vicinity of this or any other appliance.

Please record your model and serial number here.

\_\_\_\_\_ Model number

\_\_\_\_\_ Serial number

\_\_\_\_\_ Date of purchase

**READ ALL INSTRUCTIONS CAREFULLY BEFORE OPERATING YOUR GAS BARBECUE**

**RETAIN THESE INSTRUCTIONS FOR FUTURE REFERENCE**

1-800-265-2150  
info@omcbbq.com



10094-40LP REV E 04/11

# SAFETY

Your new OMC gas grill is a safe, convenient appliance when assembled and used properly. However, as with all gas-fired products, certain safeguards must be observed.

**Failure to follow these safeguards may result in damage or injury.** If you have questions concerning assembly or operation, consult your dealer, gas appliance serviceman, your gas company or our direct customer service line at 800-265-2150.

## CAUTION

- **FOR OUTDOOR USE ONLY.**
- **IF STORED INDOORS, DETACH AND LEAVE CYLINDER OUTDOORS.**
- **THIS APPLIANCE MUST NOT BE OPERATED UNATTENDED.**
- **SPECIAL CARE MUST BE TAKEN TO KEEP SMALL CHILDREN AWAY FROM HEATED SURFACES.**

Use caution when handling or transporting this product. Metal edges can present a hazard. Use appropriate gloves when lifting or handling. Before lifting, remove side shelves and grids and grates.

## ELECTRICAL CAUTION

1. If any accessory is used on this appliance that requires an external electrical power source, the accessory when installed must be electrically grounded in accordance with local codes. In the absence of local codes, the following standards apply:  
(U.S.A.) ANSI/NFPA No. 70-Latest Edition  
and  
(CANADA) CSA C22.1 Canadian Electrical Code
2. Do not cut or remove the grounding prong from the plug.
3. Keep the electrical supply cord and fuel supply hose away from any heated surface.

## PROPOSITION 65 WARNING

Handling the brass material on this product exposes you to lead, a chemical known to the state of California to cause cancer, birth defects or other reproductive harm. WASH YOUR HANDS AFTER HANDLING THIS PRODUCT.

## WARNING

Fuels used in gas or oil-fired appliances, and the products of combustion of such fuels, contain chemicals known to the State of California to cause cancer, birth defects or other reproductive harm.

"This warning is issued pursuant to California Health and Safety Code Sec. 25249.6"

# INSTALLATION

1. In Canada, this appliance must be installed in accordance with the local code and the relevant CSA standards:

### CSA-B149.1 Natural Gas and Propane installation Code

In the U.S.A., this appliance must be installed in accordance with the local code and the relevant national code.

### ANSI Z223.1/NFPA 54 - Latest Edition National Fuel Gas Code and Latest Local Codes where Applicable

2. The appliance must be located away from combustible surfaces by at least 76cm/30" from each side, and 76cm/30" from the rear.



3. Do **not** operate this appliance under any overhead roof construction or foliage.
4. This appliance is for **OUTDOOR USE ONLY, DO NOT** operate in garage, shed, balcony or other such enclosed areas.
5. **DO NOT** restrict the flow of air to the appliance.
6. Keep the area surrounding the appliance free of combustible materials, gasoline, and all flammable liquids and vapours.
7. This appliance is not intended to be installed in, or on, recreational vehicles and/or boats.
8. Keep the ventilation opening(s) of the cylinder enclosure free and clear from debris.

## LP GAS CYLINDER PLACEMENT

9. LP gas cylinders must be installed according to assembly instructions using retainer provided. Do not store a spare cylinder under or near this appliance.

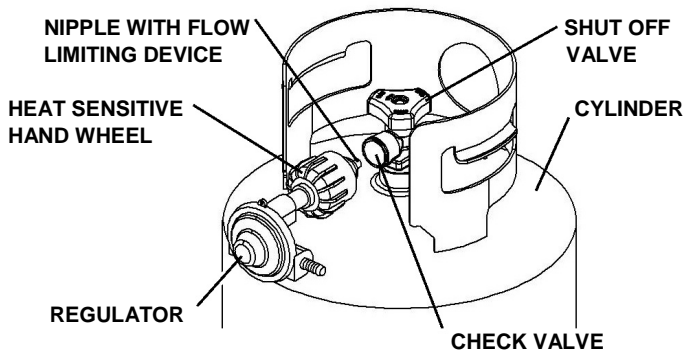
# LP GAS CYLINDER

## QCC<sup>®</sup>-1 QUICK CLOSING COUPLING

All models are designed to be used with an LP gas cylinder equipped with the QCC<sup>®</sup>-1 Quick Closing Coupling system.

The QCC<sup>®</sup>-1 system incorporates new safety features required by the American National Standards Institute (ANSI) and the Canadian Standards Steering Committee.

- Gas will not flow until a positive connection has been made.
- A thermal element will shut off the flow of gas between 240° and 300°F.
- When activated, a Flow Limiting Device will limit the flow of gas to 10 cubic feet per hour.



**The LP Gas Cylinder is not included with the Gas Grill.**

Be sure to purchase one with the QCC<sup>®</sup> valve. This valve is recognized by the external threads on the inlet port of the valve. QCC<sup>®</sup> equipped cylinders are available from your Gas Grill Dealer.

**Any attempt to connect the regulator, by use of adapters or any other means, to any other valve could result in damage, fire or injury and may negate the important safety features designed into the QCC<sup>®</sup>-1 system.**

### SPECIFICATION:

1. All LP gas cylinders used with this appliance must be constructed and marked in accordance with the *Specifications for LP Gas Cylinders* of the U.S. Department of Transportation (D.O.T.) or the National Standard of Canada, *CAN/CSA-B339, Cylinders, Spheres and Tubes for Transportation of Dangerous Goods; and Commission*, as applicable
2. The LP gas cylinder used for this appliance must not have a capacity larger than 20 lb.(9 kg).  
Approximately 18" (46cm) high  
12" (31cm) diameter
3. All LP gas cylinders used with this appliance should be inspected at every filling and re qualified by a licensed service outlet at the expiry date (10 years), in accordance with the DOT (USA) and CTC (Canada) codes for LP Gas Cylinders.
4. All LP gas cylinders used with this appliance must be provided with a shutoff valve terminating in a cylinder valve outlet No. 510, specified in the Standard for Compressed Gas Cylinder Valve Outlet and Inlet Connection (USA) ANSI/CGA-V-1-1977 (Canada) CSA B96.

The cylinder supply system must be arranged for vapor withdrawal.

The cylinder must include a collar to protect the cylinder valve.

The cylinder must be installed as per assembly instructions.

Never fill the cylinder beyond 80% full. A fire causing death or serious injury may occur.

The cylinder valve must include a safety relief device having direct communication with the vapour space of the cylinder.

### HANDLING:

1. Government regulations prohibit shipping full LP gas cylinders. You must take your new cylinder to a LP gas dealer for filling.
2. A filled LP gas cylinder is under very high pressure. Always handle carefully and transport in the **upright** position. Protect the valve from accidental damage.
3. Do not tip the LP gas cylinder while connecting it to the regulator. Fasten the cylinder securely during transport, use and storage.
4. If the cylinder is tipped after it is connected to the regulator, shut off the gas, disconnect the regulator and have it checked before using again.

### STORAGE:

1. Store the LP gas cylinder outdoors in a well ventilated place.
2. Do not store the LP gas cylinder in direct sunlight, near a source of heat or combustion.
3. If you intend to store the grill indoors, disconnect and remove the LP gas cylinder first. Disconnected cylinders must have a dust cap installed and must not be stored in a building, garage or any other enclosed area.
4. Keep out of the reach of children.
5. When the LP gas cylinder is connected to the gas grill, the gas grill and LP gas cylinder must be stored outside in a well ventilated place.

### OPERATION:

1. Never connect your gas grill to an LP gas cylinder without the regulator provided, and **NEVER TO AN UNREGULATED LP GAS SUPPLY**. The gas regulator supplied with the appliance must be used.
2. **Always** leak test the LP gas cylinder to regulator connection when connecting the LP gas cylinder to the appliance. See "Leak Testing".
3. **Do not** operate appliance if the smell of LP gas is present. Extinguish all flame and determine source of LP gas before proceeding. **Do not** ignite the appliance until the LP gas leak has been found and sealed.
4. **Always** shut off LP gas cylinder valve when the appliance is not in use.

# OPD EQUIPPED CYLINDER

# HOSE & REGULATOR

## OVERFILL PREVENTION DEVICE

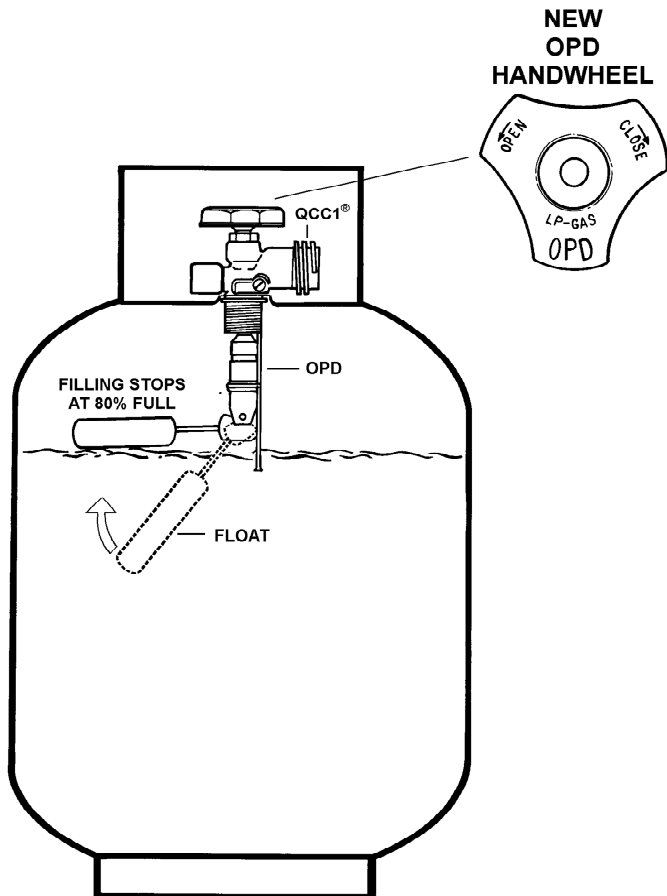
The standard for outdoor gas appliances, ANSI Z21.58/CAN/CGA-1.6, requires that appliances are to be used with cylinders equipped with an Overfill Prevention Device (OPD).

The OPD is designed to reduce the potential for the overfilling of propane cylinders, thus reducing the possibility of relief valve discharges of raw propane. **The OPD causes a slower purge/fill operation.** Some consumers have been advised by filling stations that these cylinders are "defective". **This is not a defect.** Some propane filling stations may not be aware of this device and its effect on the purge/fill operation.

New OPDs coming onto the market have technology that allows for much greater BTU outputs which will decrease the amount of time it takes to purge a cylinder.

## Identification

To identify these cylinders, the OPD handwheel has been standardized to the shape shown.



All models are equipped with a hose and regulator with a QCC®-1 Quick Closing Coupling.

1. The QCC® coupling contains a magnetic Flow Limiting Device which will limit the flow of gas should there be a leak between the regulator and the appliance valve. This device will activate if the cylinder valve is opened while the appliance valves are open. **Be sure the appliance valves are off before the cylinder valve is opened to prevent accidental activation.**
2. The QCC® coupling incorporates a heat sensitive hand wheel that will cause the back check module in the QCC® cylinder valve to close when exposed to temperatures between 240° and 300°F. Should this occur, do not attempt to re connect the hand wheel. Remove hose/regulator assembly and replace with a new one.
3. The pressure regulator is set at 11 inches WC (water column) and is for use with LP gas only. The hose and hose couplings comply with CGA Standard CAN 1.83. No modifications or substitutions should be attempted.
4. Protect the hose from dripping grease and **do not allow the hose to touch any hot surface, including the base casting of the barbecue.**
5. Inspect the seal in the QCC® cylinder valve when replacing the LP gas cylinder or once per year whichever is more frequent. Replace the seal if there is any indication of cracks, creases, or abrasion.
6. Inspect the hose before each use of the barbecue. If the hose is cracked, cut, abraded or damaged in any way, the appliance must **not** be operated.
7. For repair or replacement of the hose/regulator assembly, contact customer service at 1-800-265-2150 or [info@omcbbq.com](mailto:info@omcbbq.com)

## Connection

1. Be sure cylinder valve and appliance valves are "off".
2. Place full LP gas cylinder in LP tank well and secure base as per assembly instructions.
3. Center the nipple in the cylinder valve and hold in place. Using other hand, turn the hand wheel clockwise until there is a positive stop. **Do not use tools. Hand tighten only. When making the connection, hold the regulator in a straight line with the cylinder valve, so as not to cross thread the connection.**
4. Leak test connections. See "Leak Testing".
5. Refer to lighting instructions. **To avoid activating the Flow Limiting Device when lighting, open cylinder valve slowly with the appliance valves off.** If the Flow Limiting Device is accidentally activated, turn off cylinder valve and appliance valves, wait 10 seconds to allow the device to reset, open cylinder valve slowly, then open the appliance valve.

## Disconnection

Always close LP cylinder valve and remove coupling nut before moving cylinder from specified operation position.

# LEAK TESTING

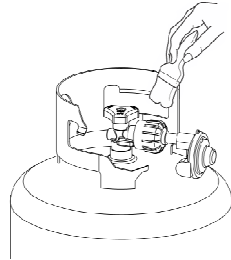
All factory-made connections have been thoroughly tested for gas leaks. However, shipping and handling may have loosened a gas fitting.

## AS A SAFETY PRECAUTION:

- Test all fittings for leaks before using your gas barbecue.
- Test the cylinder valve for leaks each time the cylinder is filled.
- Test for leaks every time you connect a gas fitting.
- Do not smoke!
- Never test for leaks with a lighted match or open flame.
- Test for leaks outdoors.

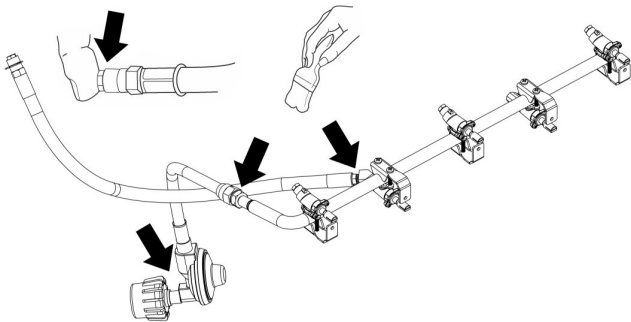
## TO TEST FOR LEAKS:

1. Extinguish any open flame or cigarettes in the area.
2. Be sure that cylinder valve and appliance valves are "off".
3. Connect LP gas cylinder. See "Hose and Regulator".
4. Prepare a soap solution of one part water, one part liquid detergent.
5. With a full gas cylinder, open cylinder slowly.
6. Brush the soap solution on each connection.



If your barbecue is equipped with a side burner or rear burner:

- a. Place finger tip over the opening in the orifice at the end of hose.
- b. Turn "SIDE"/"REAR" control to "HI".
- c. Brush soap solution on each connection between orifice and control valve.
- d. Turn "SIDE"/"REAR" control to "OFF".

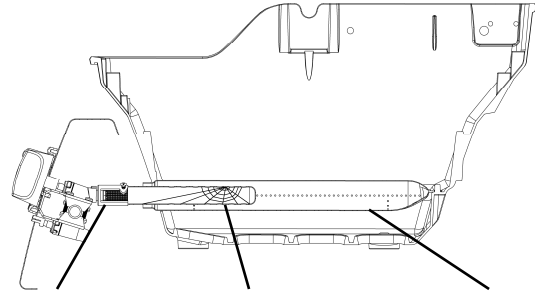


7. A leak is identified by a flow of bubbles from the area of the leak.
8. If a leak is detected, close the gas cylinder "shut-off" valve, tighten the connection and retest (Step 5).
9. If the leak persists, contact your barbecue dealer for assistance. Do not attempt to operate appliance if a leak is present.

# VENTURI TUBES

- Keep venturi tubes clean.
- Blockages caused by spiders insects and nests can cause a flashback fire.

Although the barbecue might still light, the backed up gas might also ignite and cause a fire around the venturi tubes at the control panel or side burner.



VENTURI TUBE SPIDER WEB TUBE BURNER

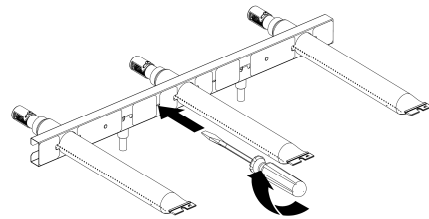
- If a flashback fire occurs, turn off gas at the source immediately

**Inspect and clean the venturi tubes (main burner, side burner, rear burner) if any of the following symptoms occur:**

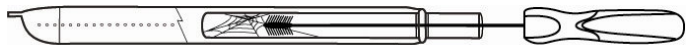
1. You smell gas.
2. Your barbecue does not reach temperature.
3. Your barbecue heats unevenly.
4. The burners make popping noises.

## INSPECTING & CLEANING VENTURI TUBES

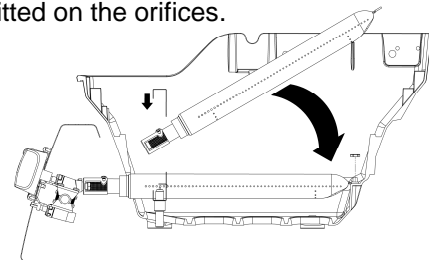
1. Turn off gas at the source. i.e. the gas cylinder or supply line for natural gas.
2. When barbecue is cool, remove the burner fasteners. Remove the top portion of the collector box and lift the burner from the barbecue housing.



3. Clean the venturi tubes with a pipe cleaner or venturi cleaning tool (Accessory #77310 or #18270).

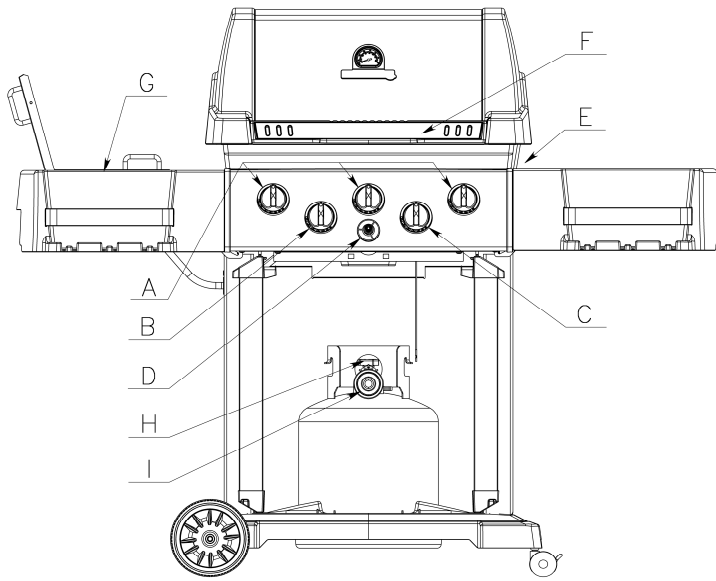


4. Lower the burner into position in the barbecue housing, making sure that the venturi tubes are correctly aligned and fitted on the orifices.



5. Secure burner with burner fasteners.
6. Snap top portion of collector box back in place.

# LIGHTING



- |                         |                   |
|-------------------------|-------------------|
| A. MAIN BURNER CONTROLS | F. HANDLE         |
| B. SIDE BURNER CONTROL  | G. SIDE BURNER    |
| C. REAR BURNER CONTROL  | H. CYLINDER VALVE |
| D. IGNITOR              | I. REGULATOR      |
| E. MANUAL LIGHTING HOLE |                   |

- The appliance must be assembled as per the assembly instructions.
- Check that your gas cylinder is full and properly connected to the regulator.
- Check that there are no gas leaks in the gas supply system. See Leak Testing.
- Check that the venturi tubes are properly located over the gas valve orifices.
- Check that both Main Burner and Side Burner ignition wires are connected.
- Read carefully all instructions contained on the information plate attached to the barbecue.
- WARNING: Open lid before lighting.**
- Set control knobs to "OFF" and turn on the gas supply.

## 9a. For Main Burner:

Check that the battery has been installed into the electronic ignition. Push and turn one main burner control knob to "Hi". Push and hold down the ignitor button or match light. Burner should ignite within 5 seconds.

**Note: To light burner with a match** follow steps 1 thru 8 above.

Insert lighted match through lighting hole located at the bottom right of the grill housing.

Push and turn right main burner control knob to "Hi". Burner should ignite within 5 seconds.

After the first burner is lit, push and turn the center main burner control knob to "Hi". Other burners will ignite automatically. After center burner(s) is lit, push and rotate left main burner control knob to "Hi".

## 9b. For Side Burner:

Push and turn side burner control knob to "Hi". Push and hold the ignitor button. Burner should ignite within 5 seconds.

**Note: To light burner with a match** follow steps 1 thru 8 above.

Apply lighted match to burner ports.

Push in the side burner control knob and turn to "Hi". Burner should ignite within 5 seconds.

## 9c. For Rear Burner Rotisserie:

**Warning** - Do not operate the main burner simultaneously with the rear burner.

**Caution:** Rear burner must be in place before operating the control knob.

### REMOVE THE WARMING RACK.

Follow steps 1 thru 8.

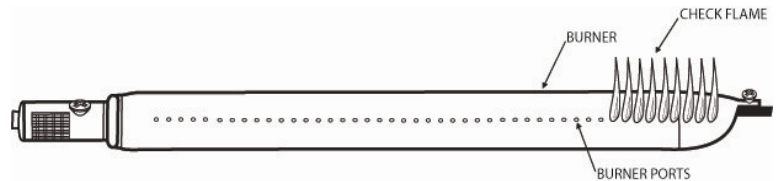
Push and turn rear burner control knob to "Hi".

Push and hold the ignitor button or match light by placing a lit match near the rear burner ports **BEFORE** turning control knob.

Burner should ignite within 5 seconds.

It is important to have lighted match near burner ports **BEFORE** turning the control knob.

## 10. Caution - Check your barbecue after lighting



All the ports on the burner should show a 2.5cm / 1" flame on "Hi" setting.

If any of the following symptoms occur there is probably a blockage in the venturi tubes. Shut off gas at once and clean the venturi tubes. See "Venturi Tubes".

- You smell gas.
- If a flashback fire occurs.
- Your barbecue heats unevenly.
- The burners make popping noises.

### IF BURNER DOES NOT IGNITE:

- Push and turn control knob to "OFF". Wait 5 minutes, then try again with control knob set at medium.
- If any burner will not light, consult "Trouble Shooting Guide". If problem cannot be resolved, do not attempt to operate the appliance; contact your dealer or approved service centre.

### SHUT DOWN

- Turn off cylinder valve.
- Turn control knobs to "OFF".



# OPERATION

**Burn-off.** Before cooking on your gas barbecue for the first time, burn off the barbecue to rid it of any odours or foreign matter as follows:

Remove cooking grids and warming rack and wash in mild soap and water. Ignite the burner. Close the lid and operate the barbecue for **20 minutes** with the control knobs set at "**MEDIUM/HIGH**". Turn the gas off at the source. Turn the control knobs to "Off". Let the appliance cool down, replace the grids. You are now ready to use the appliance.

**Preheating.** When grilling, preheat the barbecue on Medium/High with the lid closed for ten minutes. Reduce heat as appropriate for what you are grilling. Scrub grids with a wire grill brush and brush or spray the grids with vegetable or olive oil to prevent food from sticking.

**Lid Position.** The position of the lid during cooking is a matter of personal preference, but the barbecue cooks faster, uses less gas, and controls the temperature best with the lid closed. A closed lid also imparts a smokier flavor to meat cooked directly on the grid, and is essential for smoke and convection cooking.

**Vapourization Systems.** Your gas grill is designed for use with the Flav-R-Wave™ vapourization system (included). Do not use lava rock, ceramic briquets or any other vapourization system other than the one that came with the barbecue.

## COOKING TEMPERATURES

**High Setting** will produce temperatures at the cooking grid of approximately 600 - 650°F (320 - 340°C). Use this setting only for fast warm-up and for burning food residue from the cooking grids after the cookout is over. This setting is also ideal for quickly searing steaks before reducing temperature. Rarely, if ever, do you use the HIGH setting for extended cooking.

**Medium/High Setting** will produce temperatures at the cooking grid of approximately 550°F (290 °C). Use this setting for warm-up and for grilling steaks and chops,

**Medium Setting** will produce temperatures inside the barbecue of approximately 450°F (230°C) with the lid down. Use this setting for most grilling of chicken, burgers, vegetables and for roasting, and baking.

**Low Setting** will produce temperatures inside the barbecue of approximately 310- 350°F (155-175°C). Use this setting for all smoke cooking, large cuts of meat, delicate fish, and for dough and pastry such as pizza and quesadillas.

**These temperatures are approximate only and vary with the outside temperature and the amount of wind present.**

# COOKING TECHNIQUES

## DIRECT GRILLING

The direct grilling method involves cooking the food on grids directly over the flame. Direct grilling is the most popular method for most single serving items such as steaks, chops, fish, burgers, kebabs and vegetables.

1. Prepare food in advance to avoid delay and timing problems. If using marinade or spices, they should be applied before placing meat on the cooking grid. If basting with sauces, they should be applied the last 2-4 minutes of grilling to avoid burning.
2. Organize the area around the barbecue to include forks, tongs, oven mitts, sauces and seasonings, to allow you to stay in the vicinity of the barbecue while cooking.
3. Bring meat to room temperature just prior to grilling. Trim excess fat from meat to minimize the "flare-ups" that are caused by dripping grease.
4. Pre-heat the barbecue to the desired temperature with the cover closed.
5. Coat the grids with vegetable or olive oil to prevent food from sticking to the grids.
6. Hold the salt when cooking meats on the barbecue. The meat will stay juicier if the salt is added after cooking.
7. To prevent steaks from "drying out", use tongs rather than a fork and start on "MEDIUM/HIGH" to sear the meat and seal the juices in. Reduce the heat and extend cooking times when grilling thicker cuts of meat.
8. Learn to test when the meat is done by time and feel. The meat firms up as it cooks. When the meat is soft it is rare. When it is firm, it is well done.
9. Follow the perfect steak grilling guide for most meat, fish, poultry and vegetables.

**The Perfect Steak Grilling Guide for Steaks and Chops**

Place steak on angle on hot grids.      Flip the steak as shown below.      Turn and flip the steak again.      Finally, flip the steak again.

Meat Thickness	Heat Setting		Time Per Side				Total Time
	1 1/2"	1"	A	B	C	D	
	Rare	High	1 3/4	1 3/4	1 3/4	1 3/4	7 minutes
	Rare	Med/Rare	2	2	2	2	8 minutes
	Med/Rare	Medium	2 1/2	2 1/2	2 1/2	2 1/2	10 minutes
	Medium	Well	3	3	3	3	12 minutes
	Well	Medium	3 1/2	3 1/2	3 1/2	3 1/2	14 minutes

# COOKING TECHNIQUES

## DIRECT GRILLING GUIDE

	1" THICKNESS	HEAT SETTING	TIME PER SIDE	TOTAL TIME
CHICKEN	MED / WELL	MEDIUM	3 / 3 / 3 / 3	12 MIN.
CHICKEN WINGS	MED / WELL	MED / LOW	5 / 5 / 5 / 5	20 MIN.
HAMBURGER	MEDIUM	MEDIUM	3 / 3 / 3 / 3	12 MIN.
HAMBURGERS 3/4" FROZEN	MEDIUM	MEDIUM	3 / 3 / 3 / 3	12 MIN.
FISH FILLET	MEDIUM	MEDIUM	2 / 2 / 2 / 2	8 - 10 MIN.
LOBSTER TAILS SPLIT	MEDIUM	MEDIUM	4 / 4 / 4 / 4	16 - 20 MIN.

Use same technique as the perfect steak grilling guide

## INDIRECT CONVECTION COOKING

This method is ideal for cooking large cuts of meat such as roasts or poultry with or without a rotisserie. The food is cooked by hot air circulating around it.

- For most applications of convection cooking with and without a rotisserie, a drip pan is recommended to catch the drippings. Place drip pan on top of the Flavr-Wave, beneath centre of food. Put half to one inch of water in the drip pan. Fruit juice, wine or a marinade may also be added to enhance the flavour. Do not let the drip pan run dry.
- In most cases convection cooking with and without a rotisserie is best with the cover closed and the heat reduced. All burners can be set to low or the outside burners can be set to medium and the middle burner(s) can be turned off. Turning the center burner off will prevent juices in the drip pan from burning.
- Prior to placing the meat on the barbecue, baste the meat with vegetable oil. This will enhance the browning on the outside of the meat.
- When cooking without a drip pan, close attention must be paid to avoid the risk of grease fire and is not recommended.
- Use oven mitts when working around the barbecue to avoid injury.
- Turn barbecue off and allow it to cool before removing drip pan. The fat drippings are highly flammable and must be handled carefully to avoid injury.
- For convection cooking roasts and poultry without a rotisserie, place meat in a roasting rack directly on the grids.

## INDIRECT CONVECTION AND ROTISSERIE COOKING GUIDE

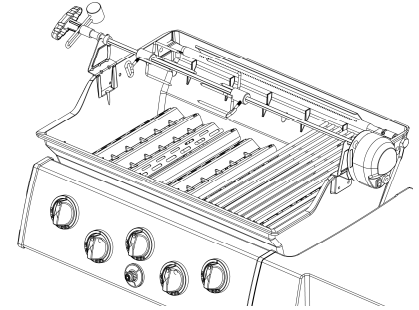
BEEF ROAST	3-6 LB	MED/LOW	2 - 4 HRS
BEEF ROAST	6-10 LB	MED/LOW	3 - 5 HRS
PORK ROAST	2-5 LB	MED/LOW	2 - 4 HRS
PORK ROAST	6-10 LB	MED/LOW	3 - 5 HRS
TURKEY OR CHICKEN	2-5 LB	MED/LOW	2 - 4 HRS
TURKEY OR CHICKEN	5-10 LB	MED/LOW	3 - 5 HRS

When using rotisserie burner, set heat at Med. / High.

## ROTISSERIE COOKING

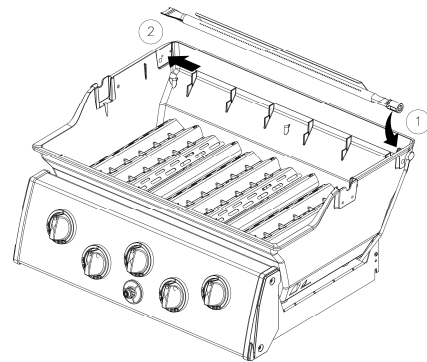
Follow the steps for Indirect Convection Cooking above.

- The rotisserie can accommodate up to 7 kg (15lb) of meat with the limiting factor of rotating clearance. For best results the meat should be centered on the center line of spit to eliminate an out-of-balance condition.
- The rotisserie can be used with the cooking grids in place if space allows.
- Fasten the meat securely on the spit prior to placing it on the barbecue. For poultry, tie the wings and legs in tightly to avoid contact with drip pan.



## Rear Burner Rotisserie

Certain models feature a rear burner for rotisserie cooking. The rear burner rotisserie method is the ultimate for cooking roasts and poultry. With the heat source located behind the food, there is no chance of a flare up caused by fat drippings. Cook with confidence knowing you will get perfect results every time. A dish or drip pan placed below the spit will collect the juices for basting or for preparing a sauce.



The spring loaded rear burner may be easily removed when not in use.

To operate your rear burner, follow the lighting directions on page 6.

## MEAT TEMPERATURE GUIDE

	RARE	MED.	WELL
BEEF / LAMB / VEAL	130°F / 55°C	145°F / 63°C	160°F / 70°C
PORK		150°F / 65°C	170°F / 77°C
POULTRY			170°F / 77°C

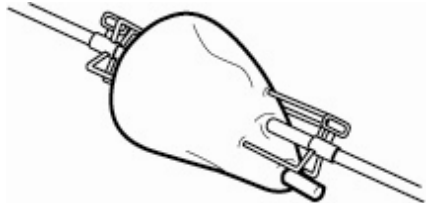
For best results use a meat thermometer.



# COOKING TECHNIQUES

## HOW TO USE A SPIT

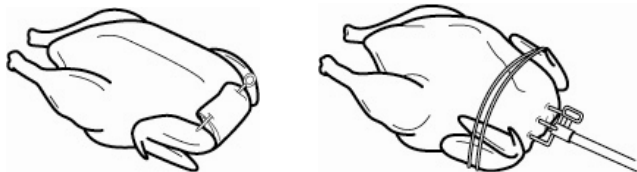
### LEG OF LAMB



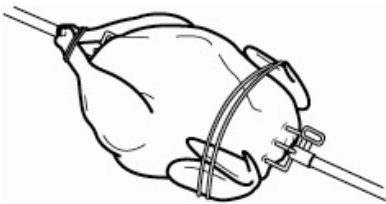
1. Have 3" of bone sawed from small end of leg. Leave meat around bone intact to form a flap. Put a spit fork on rod. Fold flap up and run rod through flap and leg. Put second fork on rod and insert forks in each end of leg. Test for balance. Tighten screws.

### POULTRY

1. With breast down; bring neck skin up over cavity. Turn under edges of skin; skewer to back skin. Loop twine around skewer and tie. Turn breast side up; tie or skewer wings to body.



2. Put a spit fork on rod. Insert rod in neck skin parallel to backbone; bring it out just above tail. Put second fork on rod and insert forks in breast and tail. Test for balance. Tighten screws.



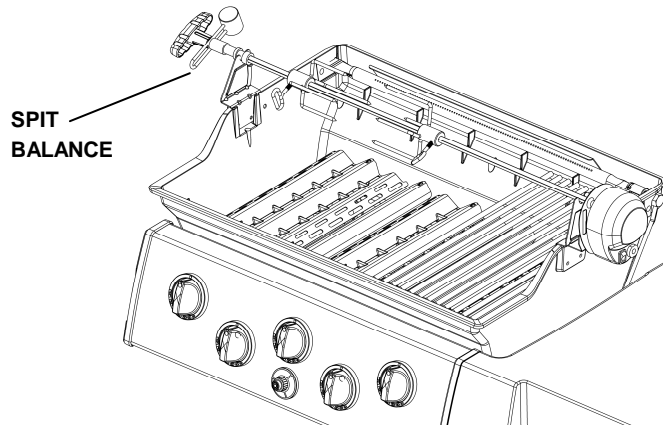
3. Tie tail to rod with twine. Cross legs; tie to tail.

### THREE CHICKENS ON A SPIT



1. Tie or skewer wings to body. Put a spit fork on rod. Dovetail chickens on rod. Loop twine around tails and legs; tie to rod. Put second fork on rod and insert forks in chicken. Tighten screws.

## SPIT BALANCE



1. Loosen the rod handle to allow the balance to turn freely. Set the rotisserie rod in the slots of the barbecue casting. Let the heaviest side of the meat rotate to the bottom.
2. Adjust the balance to the top of the rod, opposite the heaviest side of the meat. Tighten the rod handle. Periodically, check to see if the meat turns smoothly while cooking. Adjust the balancer as necessary. **Caution:** Use oven mitt when adjusting balancer.

## HOW TO USE A BARBECUE THERMOMETER

1. The accurate way to determine when a large piece of meat is done is to use a barbecue thermometer. Insert the thermometer at an angle so the sturdy pointed metal tip rests in the center of the thickest part of the meat. **Be careful that it doesn't touch the spit or the bone, and that the point is not resting in fat.**
2. Leave the thermometer in place while the meat revolves. When the thermometer reaches the desired temperature the meat is done. Add your sauces during the last few minutes of cooking time, then take the meat off spit and let the meat stand about 15 minutes to firm up. Carve and serve.

**For poultry:** insert the tip of the thermometer in the thickest part of the thigh close to the body.



**For ham or roasts:** insert the tip of the thermometer in the center of the heaviest section of the meat.



# MAINTENANCE

## PERIODIC MAINTENANCE

After you have finished, prepare for the next cookout by burning off any residue of food from the grid and Flav-R-Wave™ in the following manner:

### Cooking Grids

Remove all food from the grids, turn the control knobs to "HIGH", and operate the barbecue with the lid closed for 5 to 10 minutes or until smoking stops. Turn the gas cylinder valve to OFF, then the control knobs to OFF.

Use a long-handled **brass** wire brush to clean the grids. Remember that the barbecue is hot, so wear kitchen mitts or use a pot-holder to handle the brush.

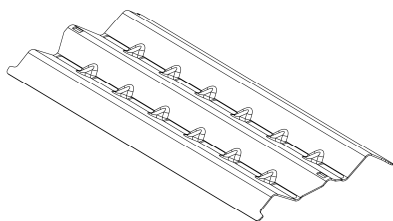
You do not have to wash the grids and upper cooking rack after each cookout, but if you wish to do so, use a mild soap and water solution, then rinse them thoroughly. Never use a commercial oven cleaner.

### Porcelain Coating

Most OMC cooking grids are coated with a durable porcelain enamel to assist in cleaning and reduce the tendency of food sticking to the grid. Some chipping may occur if mishandled. This will not affect the use or performance of the grids. If some rust appears, remove the rust with a scrub pad and coat the grid with cooking oil.

### Flav-R-Wave™

If any residue begins to accumulate on the Flav-R-Wave™, remove cooking grids and scrape excess residue with back of barbecue brush.



### Grease Tray

The grease tray is located immediately below the hole through which grease will drain and is accessible from the rear of the barbecue. The grease tray should be checked and cleaned or replaced regularly to prevent grease from overflowing onto your patio (Accessory #50416).

### General Cleaning

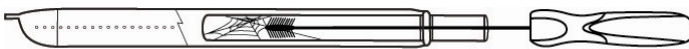
When the barbecue is cold, remove the grids. Cover three quarters of the cooking grids with aluminum foil, shiny side down. Ignite the burners; operate the barbecue on HIGH with the lid closed for 10 minutes or until smoking stops. Turn the gas cylinder valve to OFF, turn the control knobs to OFF. When the barbecue is cool, remove the foil and grids. Scrape the Flav-R-Wave™ clean and remove, then clean the interior of the bottom oven by scraping the sides and vacuuming.

## ANNUAL MAINTENANCE

To ensure safe and efficient performance, the following components should be inspected and cleaned at least once per year or after any period of storage exceeding one month.

### Burner

Remove burner and inspect for cracks and deterioration. Clean venturi tubes using a pipe cleaner or venturi brush to eliminate any blockages caused by spiders or insects. See "Venturi Tubes".



While burner is removed, clean interior of bottom oven by scraping the sides and vacuuming.

### Hose

Inspect and replace if necessary. See "Hose and Regulator".

### Exterior Finish

If white oxidation spots appear, wash the outside of the housing with a mild soap and water solution. Rinse the surfaces thoroughly, then wipe them with a cloth dipped in cooking oil to restore the luster.

For repair of paint scratches and scuffs, use a good quality HIGH temperature (600°F) spray paint for touch-up.

Rusting is a natural oxidation process and may appear on cast-iron and steel parts. Rust will not affect short term performance of your grill.

### Stainless Steel

Wash with soap and water. Use stainless steel cleaner to polish as well as remove stains and marks (Accessory #70395 or #44395). Weathering and extreme heat can cause a stainless steel lid to turn a tan color. This is discoloration and is not considered a manufacturing defect.

### Perma-Mold Side Shelves

Wash with soap and water. To enhance luster, coat lightly with cooking oil.

### Replacement Parts

If a problem is found with the regulator, hose, burner, or control valves, **do not** attempt repair. See your dealer, approved service centre, or contact the factory for repairs or replacement parts. To ensure optimum performance, use only original OMC replacement parts.

### Leak Test

After reconnecting gas cylinder, be sure to check for leaks. See "Leak Testing"

# TROUBLE SHOOTING

PROBLEM	POSSIBLE CAUSE	CORRECTIVE ACTION
<b>SMELL OF GAS</b>	<b>SHUT OFF LP GAS CYLINDER VALVE AT ONCE. DO NOT USE THE APPLIANCE UNTIL LEAK IS SEALED.</b>	
Leak detected at cylinder, regulator or other connection.	<ol style="list-style-type: none"> <li>1. Regulator fitting loose.</li> <li>2. Gas leak in hose/regulator or control valves.</li> </ol>	<ol style="list-style-type: none"> <li>1. Tighten fitting and "Leak Test".</li> <li>2. See authorized service centre.</li> </ol>
Flame flashback beneath control panel.	<ol style="list-style-type: none"> <li>1. Venturi blocked.</li> </ol>	<ol style="list-style-type: none"> <li>1. Remove burner, clean venturi. See "Venturi Tubes".</li> </ol>
Burner will not light.	<ol style="list-style-type: none"> <li>1. Out of LP Gas.</li> <li>2. Ignitor wire(s) not connected.</li> <li>3. Ignitor electrode misaligned on burner.</li> <li>4. Ignitor malfunction.</li> <li>5. Regulator is not fully connected to the cylinder valve.</li> <li>6. Burner valve left open while cylinder valve was opened causing excess flow device to activate.</li> <li>7. A leak in the system causing the excess flow device to activate.</li> <li>8. Venturi blocked.</li> <li>9. Venturi not aligned with valve orifice.</li> <li>10. Orifice blocked.</li> <li>11. Hose is twisted.</li> </ol>	<ol style="list-style-type: none"> <li>1. Refill LP Gas Cylinder.</li> <li>2. Connect both main burner and side burner electrode wires.</li> <li>3. Realign electrode.</li> <li>4. Use "Manual Lighting" Procedure.</li> <li>5. Tighten the regulator hand wheel.</li> <li>6. Close burner and cylinder valves. Open cylinder valve slowly, then open burner valve to light.</li> <li>7. Leak test connections to determine loose fitting. Tighten fitting. Leak test system.</li> <li>8. Remove burner, clean venturi. See "Venturi Tubes".</li> <li>9. Realign venturi to orifice. See "Venturi Tubes".</li> <li>10. Remove burner, clean orifice with a pin or fine wire. Do not attempt to drill orifice.</li> <li>11. Straighten hose. Keep away from bottom casting.</li> </ol>
Decreasing heat, "popping sound".	<ol style="list-style-type: none"> <li>1. Out of LP Gas.</li> <li>2. Venturi blocked.</li> </ol>	<ol style="list-style-type: none"> <li>1. Refill LP Gas Cylinder.</li> <li>2. Remove burner, clean venturi. See "Venturi Tubes".</li> </ol>
Hot spots on cooking surface.	<ol style="list-style-type: none"> <li>1. Venturi blocked.</li> </ol>	<ol style="list-style-type: none"> <li>1. Remove burner, clean venturi. See "Venturi Tubes".</li> </ol>
"Flare-ups" or grease fires.	<ol style="list-style-type: none"> <li>1. Excessive grease buildup.</li> <li>2. Excessive heat.</li> </ol>	<ol style="list-style-type: none"> <li>1. See "Maintenance".</li> <li>2. Turn burner controls to a lower setting.</li> </ol>
Humming noise from regulator.	<ol style="list-style-type: none"> <li>1. Cylinder valve turned on too quickly.</li> </ol>	<ol style="list-style-type: none"> <li>1. Turn cylinder valve on slowly.</li> </ol>
Yellow Flame.	<ol style="list-style-type: none"> <li>1. Some yellow flame is normal. If it becomes excessive the venturi may be blocked.</li> <li>2. Burner ports blocked.</li> </ol>	<ol style="list-style-type: none"> <li>1. Remove burner, clean venturi. See "Venturi Tubes".</li> <li>2. Remove burner &amp; clean with soft bristle brush.</li> </ol>
Inside of lid appears to be peeling.	<ol style="list-style-type: none"> <li>1. This is a build up of grease. The inside of the lid is not painted.</li> </ol>	<ol style="list-style-type: none"> <li>1. Clean with stiff bristle brush or scraper.</li> </ol>

# WARRANTY

The OMC Warranty is effective from date of purchase and is limited to the repair or replacement of parts at no charge which prove to be defective under normal domestic use.

In Canada and the United States replacement is FOB Factory.

In all other countries replacement is FOB OMC Distributor. (consult your Dealer for name of OMC Distributor).

All other costs are the responsibility of the owner.

This warranty is extended only to the original purchaser as indicated on the warranty registration and applies only to products sold at retail and only when used in country where purchased. (Different types of gas used in different countries require appropriate valves, orifices and regulators.)

## WHAT IS COVERED

Cast Aluminum Components	Lifetime
Burners and Stainless Steel Components Excluding Flav-R-Wave™	5 years
All Remaining Parts And Paint Excluding The Tank	2 years

## WHAT IS NOT COVERED

Any failures or operating difficulties due to accident, abuse, misuse, alteration, misapplication, vandalism, improper installation or improper maintenance or service, or failure to perform normal and routine maintenance, including but not limited to damage caused by insects within the burner tubes, as set out in the owner's manual.

Deterioration or damage due to severe weather conditions such as hail, hurricanes, earthquakes or tornadoes, discoloration due to exposure to chemicals either directly or in the atmosphere.

Shipping or transportation costs.

Removal or re-installation costs.

Labor costs for installation and repair.

Cost of service calls.

Liability for indirect, or consequential damages.

## REPLACEMENT PARTS

"Genuine OMC Gas Barbecue Parts" must always be used for replacement. Use of any other parts will automatically nullify the above warranty.

## WARRANTY CLAIMS

All warranty is handled directly by OMC. Parts must be returned to OMC Warranty Department, shipping charges prepaid, accompanied by Model #, Serial #, and if your grill is not registered, proof of purchase (copy of sales slip or invoice). If inspection confirms the defect, OMC will repair or replace such part in accordance with the terms of the warranty.

On receipt of letter or fax (not by phone) OMC may at its option not require part or parts to be returned.

Name		Model #	
Address		Serial #	
City, State/Province		Date of purchase	
Postal/Zip Code		Name of dealer	
Phone #		Part # (see assembly manual)	
Fax #			
Problem			

## NON CANADIAN RESIDENTS

The above warranty is administered by the OMC distributor in your country. Contact your dealer for the name of your OMC distributor.

## BURNERS

The life of OMC burners (made of stainless steel) depends almost entirely on proper use, cleaning and maintenance. This warranty does not cover failure due to improper use and maintenance. In this event the warranty grants the owner the option of buying a new burner at the following discounts from current price. During 3rd year - 50%, 4th year - 40%, 5th year - 25%. Shipping and handling charges are the responsibility of the owner.

## PORCELAIN COOKING GRIDS

Most OMC cooking grids are coated with a durable porcelain enamel to assist in cleaning and reduce the tendency of food from sticking to the grid. Porcelain is essentially a glass coating. Some chipping may occur if mishandled. This will not affect the use or performance of the grids. The grids are not warranted against chipping or rusting due to mishandling. If some rust appears, remove the rust with a scrub pad and coat the grid with cooking oil.

## VAPORIZATION SYSTEMS

OMC Gas Grills are designed for use with Flav-R-Wave™ vaporization systems. Use of any other product will nullify the warranty.

## FLAV-R-WAVE™

The Flav-R-Wave™ is warranted against defects in materials or rust through for a period of 2 years from date of purchase. Surface rust will not affect the performance of the Flav-R-Wave™ and is not covered by the warranty. If rust appears, remove the rust with a scrub pad and coat with cooking oil.

## LP GAS CYLINDER

OMC does not manufacture LP Gas Cylinders. The LP Gas Cylinder manufacturer is responsible for the materials, workmanship and performance of the cylinder. If the cylinder has a defect, malfunctions, or you have a question regarding the cylinder, contact your dealer or the cylinder manufacturer.

Voire garantie OMC entre en vigueur à la date d'achat et se limite aux réparations et remplacements de pièces défectueuses, s'il est assemblé et utilisé selon les instructions qui l'accompagnent, sous utilisation domestique seulement.

Au Canada le remplacement sera fait FAB Kitchener. Dans tout autre pays, le remplacement sera fait FAB du distributeur OMC de votre région. (communiquer avec votre détaillant pour le nom de votre distributeur OMC).

Tout autre coût sera la responsabilité du propriétaire. Cette garantie s'applique seulement à l'acheteur initial indiqué sur l'enregistrement de la garantie. Cette garantie ne s'applique qu'aux produits vendus au détail, dans le pays où il a été acheté (En vertu des différences de gaz d'un pays à l'autre, les soupapes, les orifices et le régulateur peuvent varier).

## LA GARANTIE INCLUS

Boîtier	Garantie à Vie
Brûleurs et composants en acier inoxydable, avec l'exclusion du Flav-R-Wave™	5 ans
Toutes les autres pièces et peinture, avec l'exclusion de la bonne propane.	2 ans

## EXCLUSION DES LA COUVERTURE DE LA GARANTIE:

Cette garantie ne couvre pas les défaillances ou les difficultés de fonctionnement causées par les situations suivantes : un accident, abus, mauvais usage, modifications, vandalisme, installation incorrecte, entretien et service incorrects, ou manquements au niveau de l'entretien normal et habituel, y compris mais non-limité aux dommages causés par les insectes dans les tubes venturis, tel qu'indiqué dans le manuel de l'utilisateur.

La détérioration ou les dommages causés par les tempêtes, y compris la grêle, les ouragans, les tremblements de terre ou les tornades, et la décoloration causée par l'exposition directe aux produits chimiques (ou à ceux de l'air environnant), ne sont pas couverts sous cette garantie.

Les frais de transport. Les coûts de démontage ou de réinstallation. Le coût de main d'œuvre pour installation ou réparations. Les frais de service liés à la réparation à domicile. Responsabilité pour les dommages indirects.

## PIÈCES DE REMPLACEMENT

Toujours utiliser "les pièces de gris à gaz authentiques OMC" pour remplacement. Cette garantie sera annulée si d'autres pièces sont utilisées.

## RÉCLAMATION DE GARANTIE

Toutes les garanties sont gérées directement par OMC. Les pièces doivent être retournées, port-payé et accompagnées de la preuve d'achat (si votre barbecue n'est pas déjà enregistré), du numéro de modèle et de série, au service de garantie OMC. Si, après inspection, la pièce est jugée défectueuse, OMC la remplacera en accord avec les termes de garantie décrits ci-dessus. Dans le cas d'une lettre ou d'un fax (non pas par téléphone), OMC décidera si la ou les pièces doivent leur être retournées.

Nom	N° de modèle	
Adresse	N° de série	
Ville, État/Province	Date d'achat	
Code postal	Nom du détaillant	
N° téléphone	N° pièce (voir manuel d'assemblage)	
N° télécopieur		
Problème		

**RÉSIDENTS NON CANADIENS** La garantie ci-dessus est administrée par le distributeur OMC de votre pays. Communiquer avec votre détaillant pour le nom de votre distributeur OMC.

## BRÛLEUR

L a durée de vie des brûleurs OMC (en acier inoxydable) dépend presque entièrement de leur bon usage, entretien et nettoyage. Cette garantie ne couvre aucune panne ou difficulté de fonctionnement due à un mauvais usage ou entretien. Dans ce cas, cette garantie accorde un rabais au propriétaire pour l'achat d'un nouveau brûleur. (50% la 1<sup>ère</sup> à la 3<sup>ème</sup> année, 40 % la 4<sup>ème</sup> année et 25 % la 5<sup>ème</sup> année, selon le prix courant de remplacement de la pièce).

## GRILLES DE CUISSON DE PORCELAINE

La plupart des grilles de cuisson OMC sont recouvertes d'un solide émail de porcelaine pour faciliter le nettoyage et réduire les chances que la nourriture ne colle à la grille. La porcelaine est essentiellement une couche de vitre. On risque d'écailler la couche si elle n'est pas manipulée avec soin. Toutefois, ceci n'aura pas d'effet sur l'emploi ou le fonctionnement des grilles. Les grilles de cuisson ne sont pas garanti contre l'écaillage ni la rouille, causées par une mauvaise utilisation. Si vous apercevez de la rouille, enlevez-la avec un tampon à récurer et enduisez la grille d'huile de cuisson.

## SYSTÈMES DE VAPORISATION

Les barbecues au gaz d'OMC sont conçus pour être utilisés avec des briquettes en céramique ou les systèmes de vaporisation Flav-R-Wave™ ou Flav-R-Cast™. Cette garantie sera nulle si un autre produit était utilisé.

## FLAV-R-WAVE™

Le FLAV-R-WAVE est garanti contre les défauts dans le matériel ou la rouille pour une période de 2 ans à partir de la date d'achat. La rouille extérieure n'affectera pas la performance du FLAV-R-WAVE et elle n'est pas couverte par la garantie. Si la rouille apparaît, enlevez celle-ci avec un tampon à récurer et recouvrir la surface avec l'huile de cuisine ou d'olive.

## BONBONNE DE PROPANE

OMC ne fabrique pas de bonnes pour barbecues au gaz. Le fabricant de la bonne est responsable des matériaux, de la fabrication et de la performance de la bonne. Si la bonne est défectueuse, a un vice de fabrication ou vous avez des questions, communiquez avec votre détaillant ou le fabricant de la bonne.

# LOCALISATION DE PANNES

PROBLÈME	CAUSE POSSIBLE	ACTION CORRECTIVE
ODEUR DE GAZ	FERMER IMMÉDIATEMENT LE ROBINET DE LA BONNOME DE PROPANE. NE PAS UTILISER L'APPAREIL JUSQU'À CE QUE LA FUITE SOIT SCÉLÉE	
Fuite détectée à la bonbonne, au régulateur ou autre connexion.	1. Le raccord du régulateur est desserré. 2. Fuite de gaz dans le tuyau, le régulateur ou dans la vanne de régulation.	1. Serrer de nouveau et vérifier s'il y a des fuites. 2. Voir centre de service autorisé.
Il y a un retour de flammes sous le panneau de contrôle.	1. Venturi bloqué.	1. Enlever le brûleur, nettoyer les tubes venturi, voir « nettoyage & entretien ».
Les brûleurs ne s'allument pas.	1. Manque de propane. 2. Fils de l'allumeur non connectés. 3. L'électrode de l'allumeur est désaligné du brûleur. 4. Fonctionnement défectueux de l'allumeur. 5. Le régulateur n'est pas complètement connecté à la soupape du réservoir. 6. Le contrôle du brûleur était ouvert lorsque le robinet de la bonbonne a été ouvert, causant l'activation du limitateur de débit. 7. Une fuite dans le système a causé l'activation de l'appareil pour excès de circulation. 8. Venturi bloqué. 9. Venturi non aligné avec l'orifice de la soupape. 10. Orifice bloqué. 11. Le tuyau est tordu.	1. Faire remplir la bonbonne. 2. Connecter les électrodes du brûleur principal et latéral. 3. Aligner de nouveau l'électrode. 4. Suivre la procédure pour « l'allumage manuel ». 5. Serrer la roue du régulateur. 6. Fermer les contrôles des brûleurs et du réservoir. Ouvrir la soupape de réservoir lentement, puis ouvrir le contrôle du brûleur pour allumer. 7. Vérifier s'il y a des fuites aux connexions pour déterminer si elles sont assez serrées. Résérez. Vérifier s'il y a des fuites. 8. Enlever le brûleur, nettoyer le tube venturi. Voir « nettoyage & entretien ». 9. Aligner de nouveau le venturi à l'orifice. Voir « Tubes Venturi ». 10. Enlever le brûleur et nettoyer l'orifice avec une aiguille ou un fil en métal fin. N'utilisez pas une perceuse. 11. Redresser le tuyau. Eloigner du fond du bôtier.
Chaleur moins intense, crépitements.	1. Manque de propane. 2. Venturi bloqué.	1. Remplir de nouveau la bonbonne. 2. Enlever le brûleur, nettoyer le tube venturi, voir « Tubes Venturi ».
Sections chaudes sur la surface de cuisson.	1. Les briquettes ne sont pas distribuées uniformément. 2. Venturi bloqué.	1. Étendre les briquettes afin d'éliminer les « trous » et les « vides » sur la grille des briquettes, en une seule couche. 2. Enlever le brûleur, nettoyer le tube venturi, voir « Tubes Venturi ».
Flambées ou feu de graisse.	1. Accumulation excessive de graisse sur les briquettes. 2. Chaleur excessive.	1. Nettoyer les briquettes. Voir « Entretien ». 2. Tourner le contrôle du brûleur à un réglage plus bas ou lever la grille de cuisson à la position supérieure (grilles à deux positions seulement).
Vrombissement du régulateur.	1. Robinet de la bonbonne ouvert trop rapidement.	1. Tourner le robinet plus lentement.
Flamme jaune.	1. Un peu de flamme jaune est normal. Si c'est en quantité excessive, il est possible que le venturi soit bloqué. 2. Orifice du brûleur bloqué.	1. Enlever le brûleur, nettoyer le venturi. Voir « Tubes Venturi ». 2. Enlever le brûleur et nettoyer avec une brosse à poils doux.
L'intérieur du couvercle semble peler	1. C'est une accumulation de graisse, et non pas une défécuosité de la peinture.	1. Nettoyer avec une brosse rigide ou un grattoir.



Après la cuisson, préparez votre prochaine grillade en brûlant les restes de la nourriture adhérents sur les grilles et Flav-R-Wave™ de la façon suivante:

### Grilles de cuisson

Enlever toute la nourriture des grilles, tourner les boutons de réglage à « H » et faire fonctionner le barbecue avec le couvercle fermé de 5 à 10 minutes, ou jusqu'à ce qu'il n'y ait plus de fumée. Tourner le robinet de la bonne de propane à « OFF » et ensuite, les boutons de contrôle à « OFF ».

Utiliser une brosse à long manche avec fils en laiton pour nettoyer les grilles. Ne pas oublier que le grill est chaud, alors porter des mitaines à four pour tenir la brosse. Il n'est pas nécessaire de laver les grilles après chaque grillade, mais si vous le voulez, utiliser une solution d'eau savonneuse douce, puis rincez-les bien. Ne jamais utiliser de nettoyeur commercial pour fours.

### Revêtement en porcelaine

La plupart des grilles pour cuisson OMC sont recouvertes d'un solide émail de porcelaine pour faciliter le nettoyage et réduire les chances que la nourriture ne colle à la grille. On risque d'écailler la couche si elle n'est pas manipulée avec soin. Toutefois, ceci n'aura pas d'effet sur l'emploi ou le fonctionnement des grilles. Si vous apercevez de la rouille, enlevez-la avec un tampon à récurer et enduisez la grille d'huile de cuisson.

### Flav-R-Wave™

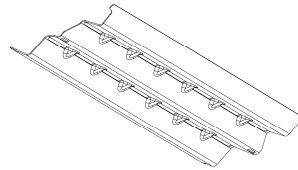
Si quelques résidus commencent à s'accumuler sur le Flav-R-Wave, enlever les grilles de cuisson et gratter l'excès avec l'arrière de votre brosse à barbecue.

### Contenant à graisse

Le contenant à graisse est situé immédiatement au-dessous du drain à travers lequel la graisse se décharge dans celui-ci et est accessible à l'arrière du grill. Le contenant doit être examiné régulièrement afin d'éviter que l'excès de graisse ne déborde pas et tombe sur le patio (accessoire #50416).

### Nettoyage Général

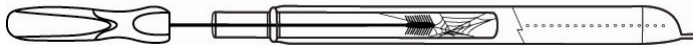
Enlever les grilles lorsque le grill est froid. Couvrir les grilles au trois quart avec du papier d'aluminium, le côté luisant vers l'intérieur. Allumer les brûleurs et tourner les valves au réglage à 'élevé' avec le couvercle clos pendant 10 minutes ou quand la fumée s'arrête. Tourner la valve de la bonne à 'OFF (arrêt)' suivi des valves des brûleurs aussi à 'OFF (arrêt)'. Lorsque le grill est refroidi, enlever le papier d'aluminium et les grilles de cuisson. Avec la brosse à barbecue nettoyer le résidu laissé sur le Flav-R-Wave, par la suite nettoyer l'intérieur et le fond du grill en brossant le tout, pour finir utiliser un aspirateur pour aspirer les résidus.



Pour s'assurer d'une performance efficace et en toute sécurité du grill, ces composants doivent être inspectés et nettoyés au moins une fois par an ou quand la période d'entreposage de plus d'un mois.

### Brûleurs

Enlever chaque brûleur et examiner pour des signes de détérioration ou fissures. Nettoyer les tubes venturi en utilisant une brosse à bouteille ou celle à venturi pour éliminer tout blocage causé par le nid d'araignées ou insectes. Voir la section 'Tube Venturi'.



Pendant que les brûleurs sont enlevés, nettoyer l'intérieur et le fond du grill en brossant le tout, pour finir utiliser un aspirateur pour aspirer les résidus.

### Tuyau

Examiner et remplacer si nécessaire. Voir section 'Tuyau et Régulateur'.

### Finis extérieur

Si des taches de calcium blanches apparaissent à l'extérieur du grill, laver le avec de l'eau savonneuse douce. Ensuite bien rincer toutes surfaces avec un chiffon imbibé d'huile d'olive ou d'huile de cuisson pour redonner le lustre au grill. Les égalitignures de la peinture peuvent être 'retouchées' avec l'aide d'une peinture en aérosol à HAUTE température (600 F). L'apparition de la rouille est un phénomène normal de l'oxydation de l'acier et de la fonte. La rouille n'affectera pas la performance du grill dans un temps court.

### Acier inoxydable

Laver avec une solution d'eau et savon (doux). Utiliser le produit d'entretien pour acier inoxydable, (Accessoire # 70395 ou # 44395) pour enlever les taches et empreintes. Au fil du temps et l'exposition à la chaleur ceci peut causer que la couleur du couvercle tourne au brun clair. Ce changement de couleur est normal et n'est pas considéré comme un défaut du produit.

### Tablettes latérales (modulaires) Perma-Mold

Laver avec une solution d'eau et savon (doux). Passer un chiffon imbibé d'huile d'olive ou d'huile de cuisson, sur toutes les surfaces, pour leur redonner le lustre.

### Pièces de rechange

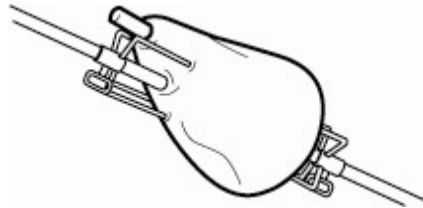
Si un problème se développe avec le régulateur, le tuyau, les brûleurs, ou les valves de contrôle, Ne pas essayer de les réparer. Pour une réparation ou remplacement de pièces de rechange, prière de contacter votre détaillant, centre approuvé de réparation ou le fabricant OMC. Remplacer les pièces à remplacer avec celles originales du fabricant pour avoir une performance optimale.

### Contrôle des fuites

Après avoir branché le réservoir, vérifiez que des fuites ne sont pas présentes. Voir section 'Contrôle des fuites'

## COMMENT UTILISER UNE BROCHE

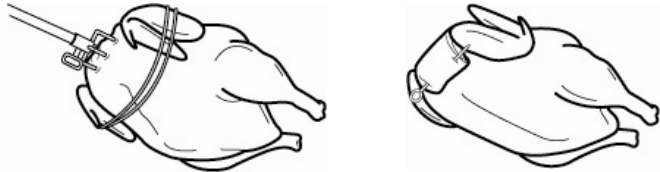
### GIGOT D'AGNEAU



1. Faire scier 3 pouces d'os de la petite partie du gigot. Laisser la viande autour de l'os intacte pour former un rabat. Placer une fourchette sur la broche. Replier le rabat et filer la broche à travers le rabat et le gigot. Mettre la deuxième fourchette sur la broche et insérer les dents des deux fourchettes dans chaque bout du gigot. Tester l'équilibre. Serrer les vis.

### VOLAILLE

1. Poitrine vers le bas, recouvrir la cavité avec la peau du cou. Replier et fixer la peau et placer les dents de la fourchette dans la chair du dos. Enrouler une ficelle autour de la volaille et attacher. Retourner la volaille afin que la poitrine soit vers le haut et attacher ou embrocher les ailes au corps.



2. Mettre une fourchette sur la broche. Insérer la broche dans la peau du cou, parallèle à la colonne vertébrale; sortez-la juste au-dessus de la queue. Mettre une deuxième fourchette sur la broche et insérer les dents de la fourchette dans la poitrine et la queue. Tester l'équilibre. Serrer les vis.
3. Attacher la queue avec une ficelle. Croiser les pattes et fixer à la queue.



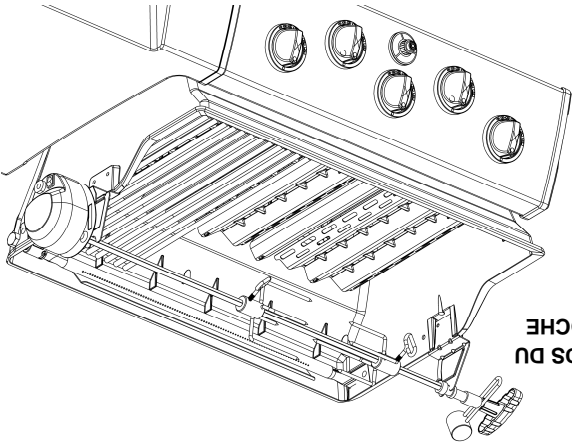
### TROIS POULETS SUR UNE BROCHE



1. Attacher ou embrocher les ailes au corps. Mettre une fourchette sur la broche. Raccorder les poulets sur la broche. Enrouler une ficelle autour des queues et des pattes et attacher à la broche. Mettre la deuxième fourchette sur la broche et insérer les dents dans le poulet. Serrer les vis.

## CONTREPOIDS DU TOURNEBROCHE

### CONTREPOIDS DU TOURNEBROCHE



1. Deserrer la poignée du tournebroche pour que le contrepoide tourne librement. Placer le tournebroche dans les coches du boîtier.
2. Ajuster le contrepoide sur le côté le moins lourd du tournebroche. Serrer la poignée. Vérifier, périodiquement, que la pièce de viande tourne de manière uniforme. Ajuster le contrepoide si nécessaire.

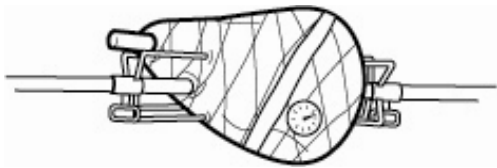
## COMMENT UTILISER UN THERMOMÈTRE À VIANDE POUR BARBECUE

1. La seule façon de vérifier si un gros morceau de viande est cuit est d'utiliser un thermomètre à viande. Insérez le thermomètre à un angle dans la partie la plus épaisse de la viande. Vérifiez que le thermomètre ne touche pas la tige ou un os, et qu'il n'est pas dans la graisse.
2. Laisser le thermomètre en place pendant que la viande tourne. Quand le thermomètre atteint la température désirée, la viande est cuite. Ajouter vos sauces durant les dernières minutes de la cuisson. Enlever la viande du tournebroche et attendez 15 minutes pour que la viande se raffermisse avant de trancher. Trancher et servir.

**Pour le poulet:** insérer le thermomètre dans la partie la plus épaisse de la cuisse, là où la cuisse rejoint le corps du poulet.



**Pour un jambon ou un rôti:** insérer le thermomètre dans le centre de la partie la plus pesante de la viande.



GUIDE DE CUISSON DIRECTE			
POULET	MÉDIUM / BIEN CUIT	MOYEN	3 / 3 / 3 / 3
ALES DE POULET	MÉDIUM / BIEN CUIT	MOYEN/BAS	5 / 5 / 5 / 5
HAMBURGER	MÉDIUM	MOYEN	3 / 3 / 3 / 3
HAMBURGER	MÉDIUM	MOYEN	3 / 3 / 3 / 3
S 3/4" GELÉS	MÉDIUM	MOYEN	3 / 3 / 3 / 3
FILET DE POISSON	MÉDIUM	MOYEN	2 / 2 / 2 / 2
QUEUE DE HOMARD	MÉDIUM	MOYEN	4 / 4 / 4 / 4
Utilisez la technique de cuisson du steak parfait			
EPAISSEUR	TEMPÉRATURE	DURÉE PAR CÔTÉ	DURÉE TOTALE

## CUISSON À CONVECTION (INDIRECTE)

C'est une méthode qui est idéale pour rôtir de gros morceaux de viande ou de volaille avec ou sans tournbroche. La cuisson s'effectue grâce à l'air chaud qui circule autour des aliments.

- Pour la plupart des cuissons à convection, avec ou sans tournbroche, on recommande l'utilisation d'une lèche-frite. Placez-la sur le Flay-R-Wave™ sous le centre de la nourriture et ajoutez de 1 pouce à 1 1/2 pouce d'eau. Pour plus de saveur, ajoutez du jus de fruit, du vin ou une marinade. Ne laissez pas le liquide s'évaporer entièrement de la lèche-frite.
- Pour la cuisson à convection, avec ou sans tournbroche, il est préférable de fermer le couvercle et de cuire à basse température. Tous les brûleurs peuvent être réglés à basse température, ou ceux des extrémités à « moyen » et celui/ceux du milieu à « OFF ». En mettant le brûleur central à « OFF » on évite que les jus de cuisson de la lèche-frite s'évaporent.
- Avant de placer la viande sur le barbecue, badigeonnez-la d'huile végétale pour qu'elle devienne plus dorée. Une cuisson indirecte sans lèche-frite n'est pas recommandée. Si vous le faites, portez une attention particulière car les jus de cuisson pourraient causer un feu de graisse.
- Utiliser des mitaines de four aux alentours du barbecue pour éviter des blessures corporelles.
- Fermer le barbecue et laisser refroidir avant de retirer la lèche-frite. La graisse est très inflammable et doit être manipulée avec soin pour éviter des blessures graves.
- Pour la cuisson des rôtis et volailles à convection et sans tournbroche, placez-les dans un support pour rôtis, directement sur les grilles de cuisson.

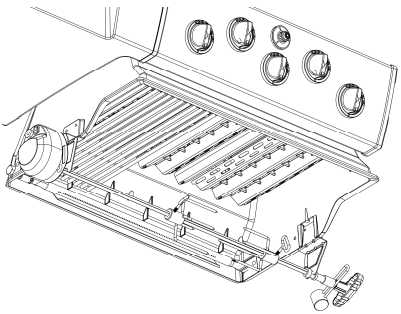
## GUIDE POUR LA CUISSON À CONVECTION ET AU TOURNEBROCHE

POULET	MÉDIUM/BAS	MOYEN/BAS	3 - 5 HEURES
POULET	MÉDIUM/BAS	MOYEN/BAS	2 - 4 HEURES
POULET	MÉDIUM/BAS	MOYEN/BAS	3 - 5 HEURES
BOEUF	MÉDIUM/BAS	MOYEN/BAS	2 - 4 HEURES
BOEUF	MÉDIUM/BAS	MOYEN/BAS	3 - 5 HEURES
BOEUF	MÉDIUM/BAS	MOYEN/BAS	2 - 4 HEURES
BOEUF	MÉDIUM/BAS	MOYEN/BAS	3 - 5 HEURES
BOEUF	MÉDIUM/BAS	MOYEN/BAS	2 - 4 HEURES

Avec un tournbroche, régler la température à moyen/élevé.

## CUISSON AVEC TOURNEBROCHE

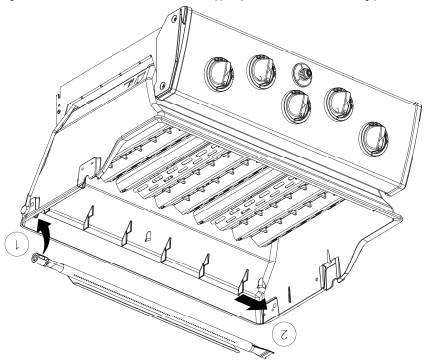
Suivre les étapes décrites à la section de cuisson à convection. 1. Le tournbroche peut accommoder jusqu'à 15 lbs (7 kg) limité seulement par l'espace de rotation.



- Pour de meilleurs résultats, disposez la viande au centre de la broche afin qu'elle soit bien équilibrée. Le tournbroche peut être utilisé avec les grilles de cuisson si l'espace le permet. Bien attacher la viande sur la broche avant de la placer sur le grill. En ce qui concerne la volaille, bien attacher les ailes et pattes, afin d'éviter qu'elles ne viennent en contact avec la lèche-frite.
- Le tournbroche peut être utilisé avec les grilles de cuisson si l'espace le permet.
- Bien attacher la viande sur la broche avant de la placer sur le grill. En ce qui concerne la volaille, bien attacher les ailes et pattes, afin d'éviter qu'elles ne viennent en contact avec la lèche-frite.

## CUISSON AVEC BRÛLEUR ARRIÈRE

Certains modèles comportent un brûleur arrière pour la cuisson au tournbroche. C'est la méthode idéale pour cuire des rôtis et des volailles. Avec la source de chaleur située derrière la nourriture, il n'y a aucune chance que le repas brûle ou soit gâché par des flambées de graisse. Cuisinez en toute confiance en sachant que vous aurez toujours des résultats parfaits. Un plat en aluminium ou une lèche-frite, placés sous la broche, permettra de recueillir les jus pour arroser les aliments ou pour préparer une sauce.



Le brûleur arrière est muni d'un ressort et peut être facilement enlevé quand il n'est pas utilisé.

Veillez vous référer à la page 6 pour les instructions d'allumage du brûleur arrière.

## GUIDE DE TEMPÉRATURE POUR VIANDES ET VOLAILLES

SAIGNANT	MÉDIUM	BIEN CUIT
Bœuf/Agneau/Eau	130°F / 55°C	145°F / 63°C
130°F / 55°C	145°F / 63°C	160°F / 70°C
Porc	150°F / 65°C	170°F / 77°C
150°F / 65°C	170°F / 77°C	
Volaille	170°F / 77°C	

Pour de meilleurs résultats utiliser un thermomètre à viande.

## CUISSON DIRECTE

La cuisson directe est une méthode de cuisson des aliments directement sur les grilles. Cette méthode est la plus populaire pour cuire des steaks, des côtelettes, du poisson, des hamburgers, des brochettes et des légumes.

1. Préparer la nourriture en avance pour éviter les délais et pour mieux planifier la durée de cuisson. Si vous utilisez des marinades et des épices, appliquez-les avant de placer la viande sur les grilles de cuisson. Badigeonner la viande de 2 à 4 minutes avant la fin de la cuisson pour éviter qu'elle ne brûle.

2. Pour éviter d'avoir à quitter l'aire de votre barbecue, assurez-vous d'avoir des fourchettes, des pinces, des mitaines, votre sauce et vos assaisonnements à proximité.
3. La viande doit être à la température de la pièce avant la cuisson. Ôter le surplus de graisse pour minimiser les flambées causées par la fonte de la graisse.
4. Avant la cuisson, préchauffer le barbecue à la température désirée, couvercle fermé.
5. Enduire les grilles de cuisson avec de l'huile végétale ou d'olive pour éviter que les aliments ne collent aux grilles.
6. Éviter d'utiliser du sel pour la cuisson de viandes sur le barbecue. La viande sera plus juteuse si vous ajoutez du sel après la cuisson.

7. Pour prévenir que les steaks ne deviennent "secs", utiliser des pinces au lieu d'une fourchette et commencer la cuisson à "MED-HI" pour bien saisir la viande et sceller la saveur. Réduire la température et allonger la durée de cuisson pour les tranches de viande plus épaisses.

8. Apprenez à vérifier si la viande est à point en tenant compte de la durée de cuisson et sa fermeté. La viande s'affermi lorsqu'elle est cuite. Une viande tendre est saignante et plus ferme lorsqu'elle est bien cuite.
9. Suivre le guide de cuisson du steak parfait pour la plupart des viandes, poissons, volaille et légumes.

### Guide de cuisson du steak parfait

Placer le steak en diagonale sur le gril chaud. Tourner le steak, tel qu'illustré ci-dessous. Retourner le steak à la diagonale du côté opposé. Retourner le steak une dernière fois. 2 min.

Epaissseur De La Viande		Température		Minutes Par Côté		Temps Total	
1"	1 1/2"	A	B	C	D		
Saignant	Saignant	Elevée	1 3/4	1 3/4	1 3/4	7 minutes	
Méd/Saignant	Méd/Saignant	Moyenne/Elevée	2	2	2	8 minutes	
Méd/Saignant	Médium	Moyenne/Elevée	2 1/2	2 1/2	2 1/2	10 minutes	
Bien Cuit	Bien Cuit	Moyenne	3	3	3	12 minutes	
Bien Cuit	Bien Cuit	Moyenne	3 1/2	3 1/2	3 1/2	14 minutes	

**Brûlage.** Avant de cuisiner pour la première fois avec votre barbecue au gaz, allumez-le pour éliminer toute odeur ou corps étranger qui pourraient être présents en procédant comme suit:

Enlever toutes les grilles de cuisson et la grille de réchaud et les nettoyer avec de l'eau savonneuse. Allumer les brûleurs, fermer le couvercle et laisser en marche pendant **20 minutes** avec les boutons de contrôle ouverts réglés à température "MED/HI". Fermer la source de gaz. Remettre les boutons de contrôle à la position d'arrêt "OFF". Laisser refroidir l'appareil et remettre toutes les grilles à leur place. Vous êtes maintenant prêts à utiliser votre barbecue.

**Préchauffage.** Avant la cuisson, il est nécessaire de préchauffer le barbecue, couvercle fermé, pour une période de 10 minutes à "MED/HI". Réduire la chaleur selon les aliments à griller. À l'aide d'une brosse en métal, nettoyer les grilles et ensuite utiliser un vaporisateur ou une brosse pour enduire les grilles d'huile d'olive ou végétale, afin que les aliments n'adhèrent pas aux grilles.

**Position du couvercle.** La position du couvercle durant la cuisson est une question de préférence personnelle. Cependant, il faut noter qu'avec le couvercle fermé, la cuisson se fait plus rapidement, le barbecue utilise moins de gaz et la température est mieux contrôlée. Un couvercle fermé donne aussi un goût plus fumé aux viandes cuites directement sur les grilles et est aussi indispensable pour la fumaison ou la cuisson à convection.

**Système de vaporisation.** Votre barbecue est conçu pour fonctionner avec le système de vaporisation "Flav-R-Wave™" (inclus avec l'appareil). N'utilisez pas de pierres de lave, de briquettes en céramique ou tout autre système de vaporisation autre que celui fourni avec votre barbecue.

## TEMPÉRATURES DE CUISSON

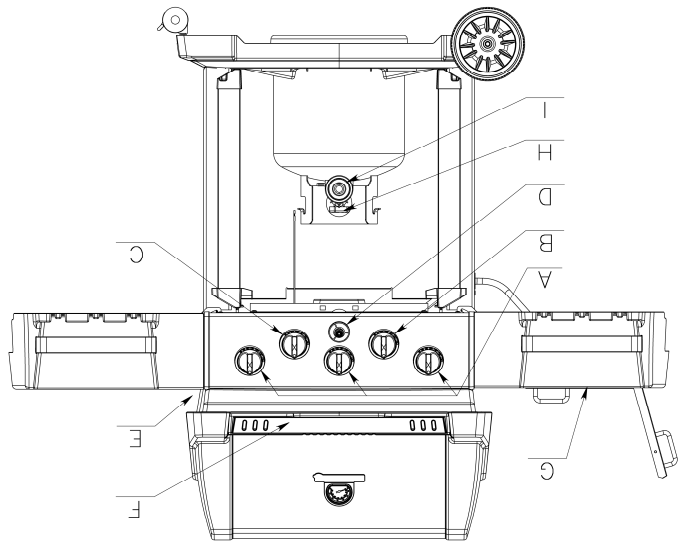
**Régime élevé.** La température à la surface des grilles est d'environ 600 – 650 F (320 – 340 C). Cette température est utilisée pour chauffer rapidement le gril ou enlever les résidus d'aliments des grilles à la fin de la cuisson. Cette température est idéale pour saisir des steaks avant de réduire la température. L'option de cuisson à "HI" n'est que rarement utilisée et ne convient pas à de longues périodes de cuisson.

**Régime moyen/élevé.** La température à la surface des grilles est d'environ 550 F (290 C). Cette température est utilisée pour le réchauffement du gril et pour la cuisson de steaks et de côtelettes.

**Régime moyen.** La température à la surface des grilles est d'environ 450 F (230 C) avec le couvercle fermé. Ce réglage est idéal pour la plupart des grillades telles volaille, hamburgers, légumes, rôtis et cuisson au four.

**Régime bas.** La température à la surface des grilles est d'environ 310 - 350 F (155 - 175 C). Ce réglage est idéal pour la fumaison, de gros morceaux de viande, des poissons plus délicats ainsi que pour la pâte et la pâtisserie comme la pizza ou des quesadillas.

**Ces températures ne sont qu'approximatives et varient selon la température ambiante et la force du vent à proximité du barbecue lors de la cuisson.**



- A. BRÛLEUR PRINCIPAL
- B. BRÛLEUR LATÉRAL
- C. BRÛLEUR ARRIÈRE
- D. ALLUMEUR
- E. ORIFICE D'ALLUMAGE MANUEL
- F. POIGNÉE
- G. BRÛLEUR LATÉRAL
- H. SOUPAPE DE LA BONNONE
- I. RÉGULATEUR

1. L'appareil doit être entièrement assemblé selon les instructions détaillées d'assemblage.

2. S'assurer que la bonbonne de gaz est pleine et bien connectée au régulateur.

3. S'assurer qu'il n'y a pas de fuites de gaz dans le système d'alimentation de gaz. Voir "Contrôle des Fuites"

4. S'assurer que les tubes venturi sont placés correctement au-dessus des orifices des soupapes de gaz des brûleurs.

5. S'assurer que les fils pour allumer le brûleur principal et le brûleur latéral sont connectés.

6. Lire attentivement toutes les instructions figurant sur la fiche de renseignements du barbecue.

7. **AVERTISSEMENT : Ouvrir le couvercle avant l'allumage.**

8. Placer les boutons de réglage à la position d'arrêt, "OFF", et ouvrir le robinet de gaz de la bonbonne.

9a. **Pour le brûleur principal**  
Assurez que la pile est bien installée dans la boîte d'allumage.

Pour ouvrir un des contrôles pour le brûleur principal, il faut pousser et, en même temps, tourner le bouton de contrôle au cadre haut.

Pour allumer le bq, pousser, en même temps, tourner le bouton d'allumage.

Le brûleur devrait s'allumer dans environ 5 secondes.

**Remarque: Allumage à l'allumette** Suivre les étapes 1 à 8 ci-dessus. Insérer une allumette allumée dans l'orifice d'allumage situé en bas à droite du boîtier. Pousser le bouton de réglage de droite à "HI". Le brûleur devrait s'allumer dans les 5 prochaines secondes. Après avoir allumé le brûleur droit, pousser le bouton de réglage de gauche à "HI". Le brûleur s'allumera automatiquement.

9b. **Pour le brûleur latéral :**  
Pousser le bouton de réglage et le tourner au réglage maximum "HI". Appuyer (ou tourner) 3 à 4 fois sur le bouton d'allumage. Le brûleur devrait s'allumer dans les 5 prochaines secondes. **Remarque : Allumage à l'allumette** Suivre les étapes 1 à 8 ci-dessus. Placer une allumette allumée près des orifices du brûleur latéral. Pousser le bouton de réglage à la position "HI". Le brûleur devrait s'allumer dans les 5 secondes suivantes.

9c. **Pour le brûleur à rôtisserie arrière :**  
Avertissement - Ne pas faire fonctionner le brûleur principal en même temps que le brûleur arrière, un feu de graisse ou des dommages au barbecue pourraient résulter.

**Attention :** Le brûleur arrière doit être en place avant de tourner le bouton de réglage.

**ENLEVER LA GRILLE DE RÉCHAUD.**  
Suivre les étapes de 1 à 8.

Pousser, en même temps, tourner le bouton pour le brûleur de tournbroche sur le cadre haut.

Avant que vous tourner le bouton de contrôle, mettez une allumette près de les trous sur le brûleur de tournbroche, pousser et tenir le bouton d'allumage en même temps.

Brûleur devrait s'allumer dans environ 5 secondes. Il est important de placer l'allumette près des orifices du brûleur **AVANT** de tourner le bouton de contrôle du brûleur.

10. **Attention - Vérifiez votre barbecue une fois allumé.**

Les flammes provenant des orifices du brûleur devraient mesurer environ 2,5 cm de hauteur au réglage maximum "HI".

Si l'un des problèmes suivants se produit, les tubes venturi sont probablement bloqués. Fermer le gaz immédiatement et nettoyer les tubes venturi. Voir "Tubes Venturi".

- 1. Une odeur de gaz.
- 2. Un retour de flamme se produit.
- 3. Le barbecue ne cuit pas uniformément.
- 4. Les brûleurs émettent des crépitements.

**SI LE BRÛLEUR NE S'ALLUME PAS:**

1. Pousser et tourner le bouton de réglage à la position d'arrêt "OFF". Attendez 5 minutes, puis essayer de nouveau avec le bouton de réglage de droite ou avec les deux boutons de réglage tournés à chaleur moyenne "Medium".

2. Si un brûleur ne s'allume pas, consulter la section "Localisation de Panne" du manuel. Si le problème ne peut pas être résolu, ne pas essayer de faire fonctionner l'appareil; contacter votre détaillant ou un centre de service autorisé.

**FERMETURE**

1. Fermer le robinet de la bonbonne à "OFF".

2. Tourner les boutons de réglage du panneau de contrôle à "OFF".



# CONTRÔLE DES FUITES

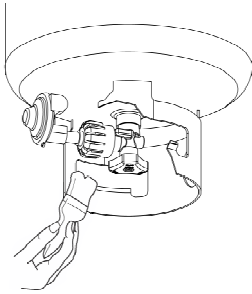
Toutes les connexions fabriquées en usine ont été testées pour des fuites de gaz. Toutefois, à l'expédition et à la maintenance un raccord pourrait s'être desserré.

## MESURES DE PRÉCAUTION :

- VÉRIFIER TOUTES LES CONNEXIONS POUR FUITES AVANT D'UTILISER VOTRE BARBECUE AU GAZ.
- VÉRIFIER LA SOUPAPE DE LA BONBONE POUR DES FUITES POSSIBLES À CHAQUE REMPLISSAGE.
- VÉRIFIER POUR DES FUITES DE GAZ POSSIBLES À CHAQUE FOIS QU'UN RACCORD DE GAZ EST DÉBRANCHÉ ET REBRANCHÉ.
- NE PAS FUMER !
- NE JAMAIS TESTER LES FUITES DE GAZ EN TENANT UNE ALLUMETTE ALLUMÉE OU AUTRE SOURCE DE FLAMME.
- LE TEST DE FUITES DE GAZ DOIT ÊTRE EFFECTUÉ À L'EXTÉRIEUR.

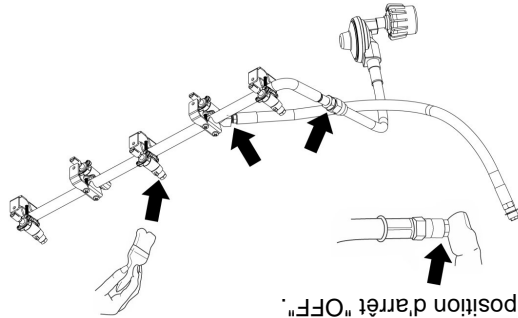
## VÉRIFICATION DES FUITES DE GAZ :

1. Éteindre toutes flammes ou cigarettes dans les environs.
2. S'assurer que les soupapes de la bonbonne et de l'appareil sont fermées.
3. Connecter la bonbonne de propane. Voir « Tuyau et Régulateur ».
4. Préparer une solution savonneuse (quantités égales d'eau et de détergent liquide pour la vaisselle).
5. Ouvrir lentement le robinet de la bonbonne pleine.
6. À l'aide d'un pinceau, brosser chaque raccord avec la solution savonneuse.



- a. Mettre le bout d'un doigt sur l'ouverture de l'orifice à l'extrémité du tuyau.
- b. Tourner le bouton de commande du brûleur latéral "SIDE/REAR" à la position "HI".
- c. Brosser chaque raccord entre l'orifice et le bouton de commande avec la solution savonneuse.
- d. Tourner le bouton de commande "SIDE/REAR" à la position d'arrêt "OFF".

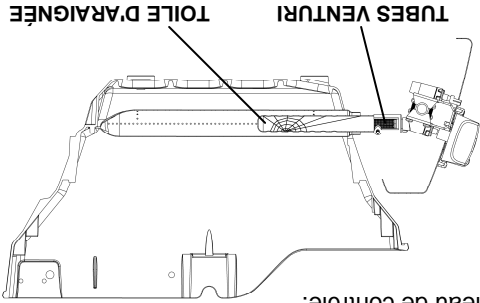
7. Si la solution fait des bulles, il y a une fuite.
8. Si une fuite est détectée, fermer le robinet d'arrêt de la bonbonne, resserrer la connexion et rétester. (Étape N°5).
9. Si la fuite persiste, communiquez avec votre détaillant de barbecues pour assistance. Ne pas essayer de faire fonctionner l'appareil s'il y a une fuite.



# TUBES DE VENTURI

- GARDER LES TUBES VENTURI PROPRES
- Les obstructions causées par les toiles d'araignée et nids d'insectes peuvent causer un feu de retour de flamme.

Même s'il est possible d'allumer le grill, le gaz accumulé dans les conduits peut s'enflammer et incendier les tubes venturi et le tableau de contrôle.

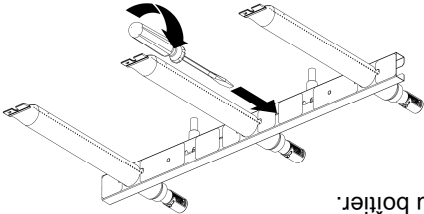


- Si un feu de retour de flamme à lieu, fermer immédiatement le gaz à la source.
- Il est recommandé d'inspecter et de nettoyer les tubes venturi si l'un des problèmes suivants survient:

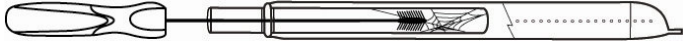
1. Une ne odeur de gaz.
2. Le barbecue n'atteint pas la température désirée.
3. Le barbecue ne cuit pas uniformément.
4. Les brûleurs émettent des crépitements.

## INSPECTION ET NETTOYAGE DES BRÛLEURS

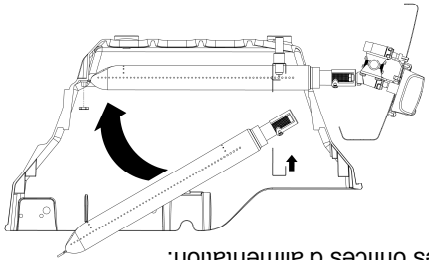
1. Fermer la source de gaz du barbecue, c.-à-d. la bonbonne, ou la conduite d'alimentation de gaz naturel.
2. Lorsque le barbecue est refroidi, enlever les attaches de retenue des brûleurs de dessous et, lever le brûleur du fond du boîtier.



3. Nettoyer les tubes venturi avec une brosse à bouteille ou celle à venturi (Accessoire #77310 ou #18270).



4. Replacer le brûleur à sa position originale dans le foyer, en prenant soin d'aligner correctement les tubes venturi avec les orifices d'alimentation.



5. Replacer les attaches de retenue des brûleurs.
6. Remettre le couvercle de la boîte du collecteur à sa position originale.



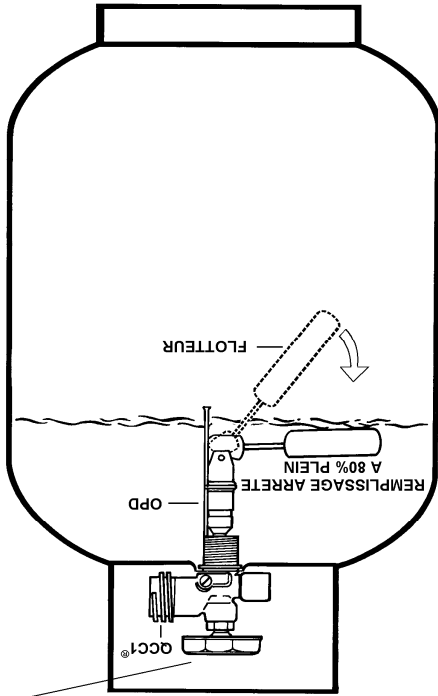
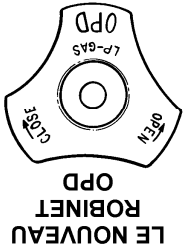
## SYSTÈME DE PRÉVENTION DE TROP-PLEIN

La norme pour les appareils au gaz, ANSI Z21.58/CAN/GA-1.6 exige qu'ils doivent être utilisés avec les bonnones équipées d'un système de prévention de trop-plein ou "Overfill Prevention Device" (OPD).

L'OPD a été conçu pour réduire la possibilité de remplissage excessif de la bonbonne, diminuant la possibilité qu'une soupape de sûreté dégage du propane brut. Avec l'OPD, la purge et le remplissage sont plus lents. Certains postes de remplissage ont indiqué aux consommateurs que les bonnones étaient défectueuses. Ce n'est pas le cas. Il est possible que certains détaillants de propane ne connaissent pas cette nouvelle mesure et son effet sur la purge et le remplissage.

Le système de prévention du trop-plein (OPD) utilisé sur les nouvelles bonnones permet d'atteindre une plus grande quantité de BTU et ainsi diminuer le temps requis pour la purge. Pour identifier ces bonnones, la forme du robinet OPD est standard, telle que démontrée ci-dessous.

## IDENTIFICATION



Tous les modèles sont équipés d'un tuyau et d'un régulateur avec un raccord pour connexion rapide QCC®-1.

1. Le raccord QCC comprend un appareil magnétique qui limite le débit du gaz si une fuite se développe entre le régulateur et la soupape QCC® du réservoir de la bonbonne s'il détecte des températures entre 240°F et 300°F. Si cette situation se produit, ne t'entrez pas de reconnecter la roue. Désassemblez le tuyau et le régulateur au complet et remplacez-les par de nouvelles pièces.

2. Le raccord QCC incorpore une roue sensible à la chaleur qui fermera le module arrière dans la soupape QCC® du réservoir de la bonbonne s'il détecte des températures entre 240°F et 300°F. Si cette situation se produit, ne t'entrez pas de reconnecter la roue. Désassemblez le tuyau et le régulateur au complet et remplacez-les par de nouvelles pièces.

3. Le régulateur de pression est réglé à l'usine à une pression de 11 po. CE (colonne d'eau). Les accouplements du tuyau et le tuyau sont conformes à la Norme CGA CAN 1.83. Ne tentez pas de les modifier ou de les substituer.

4. Protégez le tuyau des graisses de cuisson, et ne laissez pas le tuyau toucher à aucune surface chaude, y compris le fond du barbecue.

5. Inspecter l'étanchéité du joint dans le raccord QCC à chaque fois que vous remplacez la bonbonne, ou au minimum une fois par année. Remplacez le joint si vous observez des fissures, des faux plis ou des abrasions.

6. Vérifier le tuyau avant chaque utilisation. Si vous observez des fissures, des coupures, des abrasions ou quelque dommage que ce soit, n'utilisez pas l'appareil.

7. Pour une réparation ou le remplacement de l'assemblage régulateur/tuyau, communiquez avec le service à la clientèle au 1-800-265-2150 ou à info@omcbbq.com.

1. S'assurer que le robinet de la bonbonne et que l'appareil sont fermés.

2. Placer la bonbonne de gaz propane sur le support à bonne sur la base de l'appareil.

3. Centrez le raccord du régulateur sur le clapet de la bonbonne et tenir en place. En utilisant l'autre main, tournez la roue du régulateur dans le sens des aiguilles d'une montre jusqu'au bout. **N'utilisez pas d'outils. Serrez à la main seulement. En effectuant la connexion, assurez-vous de placer le régulateur parfaitement horizontalement avec le clapet de la bonbonne de propane, pour assurer un raccord parfait.**

4. Vérifiez qu'il n'y a pas de fuite. Voir « Contrôle de fuites ». Voir les instructions d'allumage. **Pour éviter d'activer le limiteur de débit, vérifiez que les contrôles du barbecue sont fermés et ouvrez le robinet de la bonbonne lentement.** Si le limiteur de débit est activé accidentellement, fermez le robinet de la bonbonne et les contrôles du barbecue, attendez que le limiteur se réajuste, environ 10 secondes et ouvrez le robinet de la bonbonne lentement, et ouvrez ensuite les contrôles du barbecue.

## RACCORDEMENT

1. S'assurer que le robinet de la bonbonne et que l'appareil sont fermés.

2. Placer la bonbonne de gaz propane sur le support à bonne sur la base de l'appareil.

3. Centrez le raccord du régulateur sur le clapet de la bonbonne et tenir en place. En utilisant l'autre main, tournez la roue du régulateur dans le sens des aiguilles d'une montre jusqu'au bout. **N'utilisez pas d'outils. Serrez à la main seulement. En effectuant la connexion, assurez-vous de placer le régulateur parfaitement horizontalement avec le clapet de la bonbonne de propane, pour assurer un raccord parfait.**

4. Vérifiez qu'il n'y a pas de fuite. Voir « Contrôle de fuites ». Voir les instructions d'allumage. **Pour éviter d'activer le limiteur de débit, vérifiez que les contrôles du barbecue sont fermés et ouvrez le robinet de la bonbonne lentement.** Si le limiteur de débit est activé accidentellement, fermez le robinet de la bonbonne et les contrôles du barbecue, attendez que le limiteur se réajuste, environ 10 secondes et ouvrez le robinet de la bonbonne lentement, et ouvrez ensuite les contrôles du barbecue.

## DÉCONNEXION

Fermez toujours le robinet de la bouteille de GPL et enlevez l'écran-raccord avant de déplacer la bouteille de GPL de sa position d'utilisation indiquée.

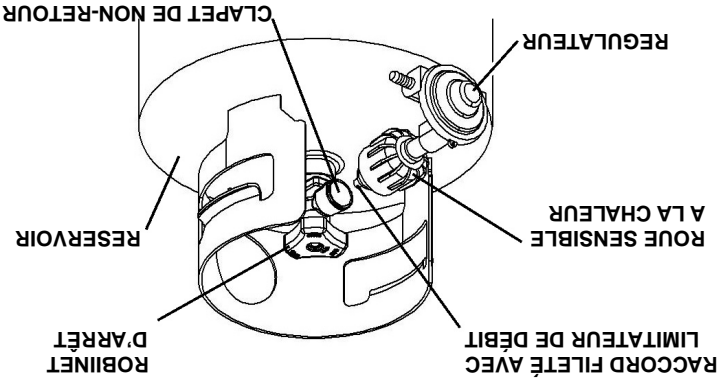
# BONBONNE DE GAZ PROPANE

## QCC®-1 RACCORD À FERMETURE RAPIDE

Tous modèles de barbecues au gaz ont été conçus pour être utilisés avec une bonbonne de gaz propane équipée du nouveau système QCC®-1 (raccord à fermeture rapide).

Le système QCC®-1 contient les nouveaux dispositifs de sûreté exigés par l'American National Standards Institute (ANSI) et le Conseil canadien des normes.

- Le gaz circule seulement si une connexion positive est établie.
- Un élément thermo-sensible arrête le débit du gaz entre 240° et 300° F.
- Lorsque active, un limitateur de débit, limitera le débit du gaz à 10 pi<sup>3</sup>/h.



La bonbonne n'est pas vendue avec le barbecue. Procurez-vous une bonbonne munie du raccord QCC®. Ce raccord est reconnaissable par le filetage extérieur sur son orifice d'alimentation. Les bonbonnes équipées du raccord QCC® sont disponibles chez votre détaillant de barbecues.

Un essai de connecter le régulateur à l'aide d'adaptateurs ou d'autres moyens n'importe quelle soupape peut mener aux dommages, incendies, ou blessures et pourra nier les caractéristiques de précaution importantes du système QCC®-1

## SPÉCIFICATIONS:

1. Toutes les bonbonnes de gaz propane utilisées avec cet appareil doivent être fabriquées et identifiées tel qu'indiqué dans la norme "LP gaz cylinders" du U.S. Department of Transportation (D.O.T.) ou de la norme nationale canadienne, CAN/CSA-B339 "Bouteilles et tubes pour le transport des marchandises dangereuses", selon le cas.
2. La bonbonne utilisée avec cet appareil doit avoir une capacité maximale 20 lbs (9kg). Taille approximative : 18po(46cm) de haut et 12po (31cm) de diamètre.
3. Toutes les bonbonnes utilisées avec cet appareil doivent être inspectées à chaque remplissage et doivent être requilibrées par un magasin de service licencié à la date d'expiration indiquée sur le réservoir (10 ans), conformément aux règlements pour Tous les réservoirs utilisés avec cet appareil doivent être munis d'un robinet d'arrêt se raccordant à un robinet de réglage N° 510 pour bonbonne, comme spécifié par la « Standard for Compressed Gas Cylinder Valve Outlet and Inlet Connection » (E-U.) ANSI/CGA-V-1-1977 (Canada) CSA B96.
4. Le système d'alimentation du réservoir doit permettre à la vapeur de s'échapper.  
Le réservoir doit inclure un rebord pour protéger le robinet d'arrêt.

## MANUTENTION:

1. Les règlements gouvernementaux interdisent l'expédition de réservoirs de propane pleins. Il faut donc faire remplir votre nouveau réservoir chez un détaillant de gaz propane.
2. Les règlements gouvernementaux interdisent l'expédition de réservoirs de propane pleins. Il faut donc faire remplir votre nouveau réservoir chez un détaillant de gaz propane.
3. Ne pas incliner la bonbonne lorsque vous la branchez au régulateur. Il faut bien fixer la bonbonne lors du transport, de l'utilisation ou de l'entreposage.
4. Si le réservoir est incliné après son branchement au régulateur, il faut fermer le gaz, débrancher le régulateur et le faire vérifier avant de l'utiliser à nouveau.

## ENTREPOSAGE :

1. Toujours conserver la bonbonne de gaz à l'extérieur dans un endroit bien aéré.
2. Ne pas entreposer de bonbonne de gaz en plein soleil ou près d'une source de chaleur.
3. Si vous désirez ranger l'appareil à l'intérieur, il faut débrancher et enlever la bonbonne. Installez un bouchon anti-poussière sur votre bonbonne déconnectée. Ne jamais ranger une bonbonne pleine à l'intérieur d'un bâtiment, d'un garage ou tout autre espace clos.
4. Gardez hors de la portée des enfants.
5. Si vous laissez la bonbonne branchée à l'appareil pour l'entreposage, vous devez les ranger à l'extérieur dans un endroit bien aéré.

## FONCTIONNEMENT:

1. Ne jamais brancher votre appareil à une bonbonne sans utiliser le régulateur fourni et n'utilisez JAMAIS UNE SOURCE DE GAZ PROPANE NON MUNIE D'UN RÉGULATEUR DE PRESSION. Le régulateur de gaz fourni avec l'appareil doit toujours être utilisé.
2. Toujours effectuer un contrôle de fuites quans vous connectez la bonbonne au régulateur lorsque vous installez la bonbonne au barbecue. Voir la section "Contrôle des fuites".
3. Ne jamais faire fonctionner l'appareil s'il y a une odeur de gaz. Éteindre toute flamme et déterminer la source de l'odeur de propane avant de continuer. **Ne pas** allumer l'appareil tant que la fuite n'a pas été repérée et réglée.
4. Toutes les bonbonnes utilisées avec cet appareil doivent être inspectées à chaque remplissage et doivent être requilibrées par un magasin de service licencié à la date d'expiration indiquée sur le réservoir (10 ans), conformément aux règlements pour Tous les réservoirs utilisés avec cet appareil doivent être munis d'un robinet d'arrêt se raccordant à un robinet de réglage N° 510 pour bonbonne, comme spécifié par la « Standard for Compressed Gas Cylinder Valve Outlet and Inlet Connection » (E-U.) ANSI/CGA-V-1-1977 (Canada) CSA B96.
4. Le système d'alimentation du réservoir doit permettre à la vapeur de s'échapper.  
Le réservoir doit inclure un rebord pour protéger le robinet d'arrêt.

Votre nouveau barbecue est un appareil sécuritaire et pratique s'il est assemblé et utilisé correctement. Néanmoins, comme avec tous les produits fonctionnant au gaz, certaines mesures de sécurité doivent être observées. **L'observation de ces mesures de sécurité pourrait causer des dommages ou blessures.** Si vous avez des questions en ce qui concerne l'assemblage ou le fonctionnement, veuillez consulter votre marchand, technicien d'appareils à gaz, votre compagnie distributrice de gaz ou notre service à la clientèle au 800-265-2150.

## ATTENTION

- UTILISER À L'EXTÉRIEUR SEULEMENT.
- POUR L'ENTREPOSAGE À L'INTÉRIEUR, DÉTACHER ET RANGER LA BONBONNE À L'EXTÉRIEUR.
- NE PAS FAIRE FONCTIONNER CET APPAREIL SANS SURVEILLANCE.
- PRENEZ LES PRÉCAUTIONS NÉCESSAIRES POUR TENIR LES JEUNES ENFANTS ÉLOIGNÉS DES SURFACES CHAUFFÉES.

Soyez prudent lorsque vous déplacez l'appareil. Les angles métalliques peuvent être coupants. Utilisez des gants appropriés pour soulever ou déplacer le barbecue. Avant de soulever le barbecue, prenez soin de retirer les tablettes latérales et les grilles de cuisson.

## PRÉCAUTIONS À PRENDRE AVEC L'ÉLECTRICITÉ

1. Si vous servez d'un appareil électrique nécessitant une source d'alimentation extérieure, l'accessoire doit être mis à la terre conformément aux codes locaux ou en l'absence de ceux-ci, conformément aux normes suivantes : (E-U.) ANS/NFPA 70 Dernière édition et (Canada) CSA C22.1 Code canadien de l'électricité
2. Ne pas couper ou enlever la broche de masse de la fiche électrique.
3. Tenir le fil électrique et le tuyau d'alimentation de combustible éloignés de toute surface chauffée.

## PROPOSITION 65 AVERTISSEMENT

Manipulation du matériel sur ce produit peut vous exposer à du plomb, un produit chimique connu de l'Etat de Californie, qui peut causer le cancer, des malformations congénitales ou d'autres dommages reproductifs. SE LAVER LES MAINS APRÈS AVOIR MANIPULÉ CE PRODUIT.

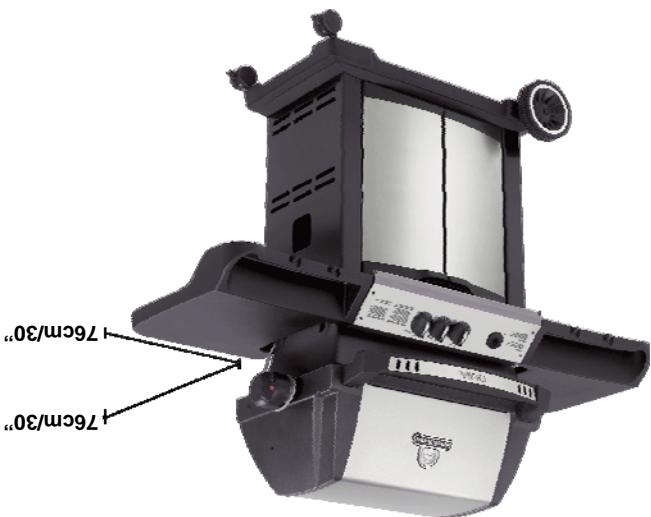
## AVERTISSEMENT

Les combustibles qui sont utilisés dans les appareils qui fonctionnent à l'huile ou au gaz et leurs produits de combustion contiennent des produits chimiques qui, selon des recherches effectuées par l'état de la Californie, causent le cancer, des anomalies congénitales et autres anomalies du système reproducteur. "Cet avertissement est émis en vertu de la California Health and Safety Code Sec. 25249.6"

1. Au Canada, cet appareil doit être installé conformément au code local et à la norme CSA applicable :  
CSA-B149.1 Code d'installation des appareils au gaz Gaz naturels et Propane  
Aux États-Unis, cet appareil doit être installé conformément au code local et aux normes nationales pertinentes :

**ANSI Z223.1/NFPA 54 - Dernière Édition du Code de Gaz National et des codes locaux, s'il y a lieu**

2. L'appareil doit être situé à plus de 76cm/30" de chaque côté et à plus de 76cm/30" à l'arrière de toute surface combustible.



3. **NE PAS UTILISER** cet appareil sous une toiture ou sous un feuillage.
4. Cet appareil est conçu pour être **UTILISÉ À L'EXTÉRIEUR SEULEMENT. NE PAS UTILISER** dans un garage, une remise, sur un balcon ou autre endroit clos.
5. **NE PAS RESTREINDRE** la circulation d'air à l'appareil.
6. Garder les environs de l'appareil libres de matières combustibles, d'essence et de tout liquide et vapeur inflammables.
7. Cet appareil n'est pas conçu pour être installé sur ou dans un véhicule récréatif ou un bateau.
8. Maintenir l'ouverture de ventilation de l'enceinte cylindrique libres et exempts de débris

## LE PLACEMENT DES BONBONNES DE GAZ PROPANE

9. Les bonbonnes de gaz propane doivent être installées selon les instructions d'assemblage en utilisant les supports fournis. N'entrez jamais une bonbonne de recharge à proximité du barbecue.

# GRIL À GAZ



## MANUEL DE L'UTILISATEUR

UTILISATION AVEC GAZ LP (GAZ PÉTROLE LIQUIDE)  
AU CANADA - GAZ PROPANE



ANSI Z21.58a-2008 / CSA 1.6a-2008

## TABLE DES MATIÈRES

DIRECTIVES DE SÉCURITÉ.....	2
INSTALLATION.....	2
RÉSERVOIR DE GAZ.....	3
BONBONNE DE GAZ PROPANE OPD.....	4
RÉGULATEUR ET TUYAU.....	4
TUBES VENTURI.....	5
CONTRÔLE DES FUITES.....	5
ALLUMAGE.....	6
FONCTIONNEMENT.....	7
TECHNIQUES DE CUISSON.....	7
ENTRETIEN.....	10
LOCALISATION DES PANNES.....	11
GARANTIE.....	12

12 Date d'achat  
11 Numéro de série  
7 Numéro du modèle

7 ici:  
6 Veuillez prendre en note vos  
numéros du modèle et de série

LIRE ATTENTIVEMENT AVANT D'UTILISER LE GRIL

GARDER CES INSTRUCTIONS POUR RÉFÉRENCE FUTURE

**DANGER**

S'il y a une odeur de gaz:

1. Coupez l'admission de gaz de l'appareil.
2. Éteindre toute flamme nue.
3. Ouvrir le couvercle.
4. Si l'odeur persiste, éloignez-vous de l'appareil et appelez immédiatement le fournisseur de gaz ou le service d'incendie.

**WARNING**

1. Ne pas entreposer ni utiliser de l'essence ni d'autres vapeurs ou liquides inflammables dans le voisinage de l'appareil, ni de tout autre appareil.
2. Une bouteille de propane qui n'est pas raccordée en vue de son utilisation, ne doit pas être entreposée dans le voisinage de cet appareil ou de tout autre appareil.