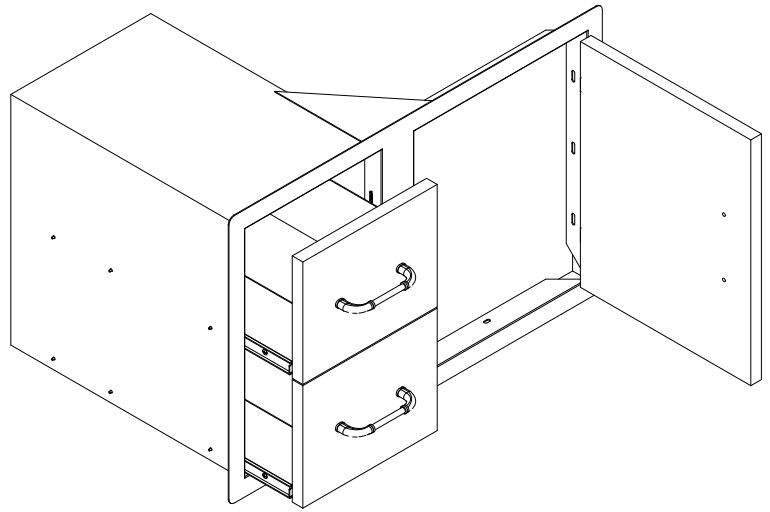
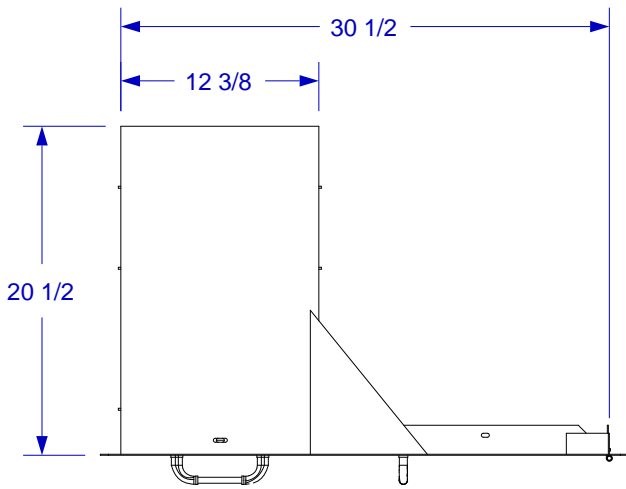




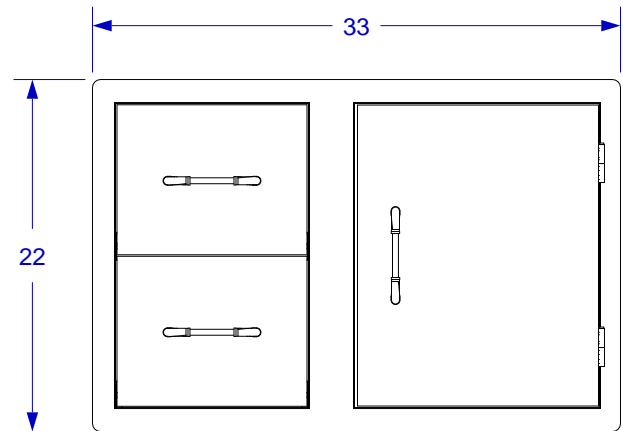
DOOR/DRAWER COMBO SPEC SHEET



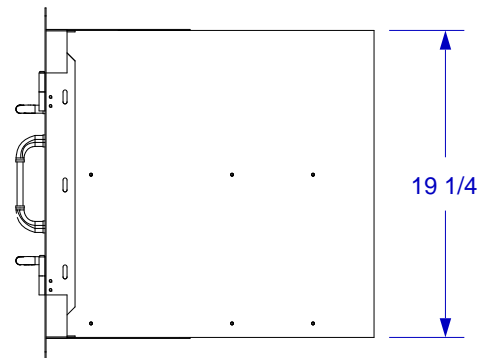
ISOMETRIC VIEW



TOP VIEW



FRONT VIEW



RIGHT SIDE VIEW

- NOTES:**
1. CUTOUT DIMENSIONS: 31" X 19 1/2" X 20 1/2"
2. SCALE: 1" = 1'-0"
3. REVISION: 10/2009