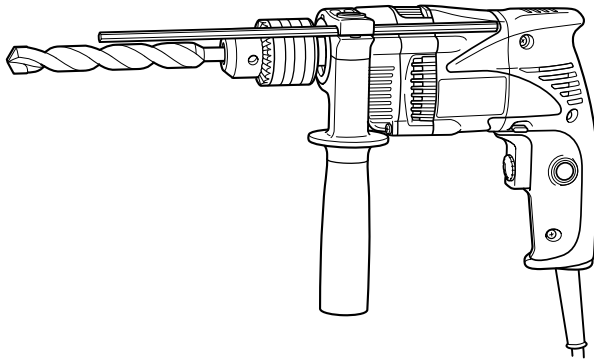


# Hitachi Koki

**Impact Drill**  
**Schlagbohrmaschine**  
**Perceuse percussion**  
**Trapano a percussione**  
**Klop-boormachine**  
**Taladro de percusión**  
**Berbequim com percussão**  
**Κρουστικό δραπανο**

**DV 16V**

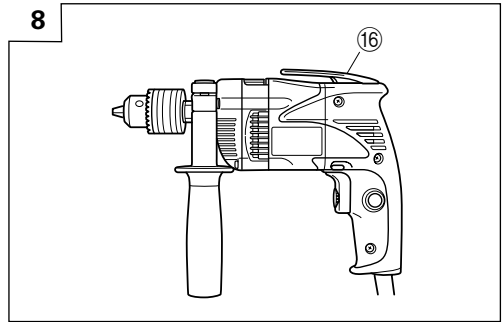
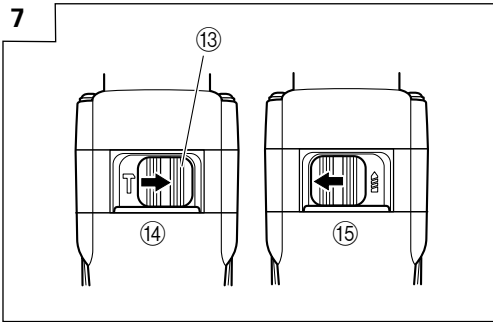
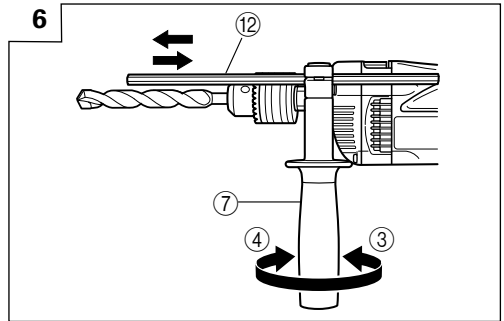
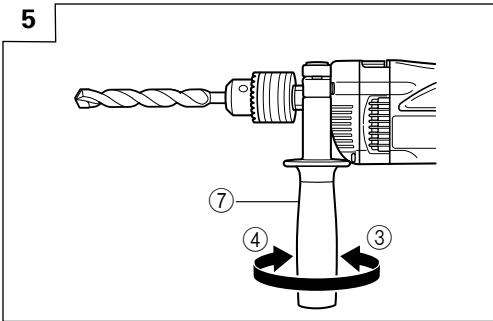
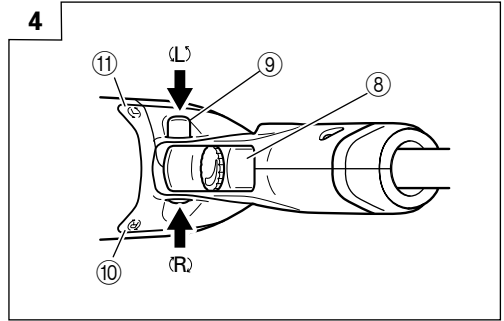
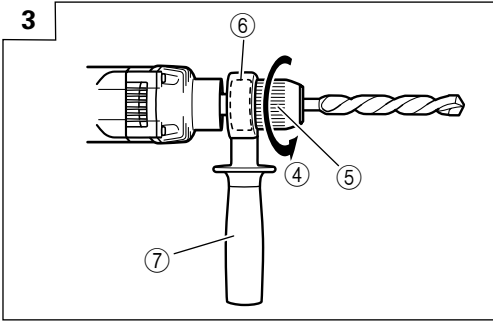
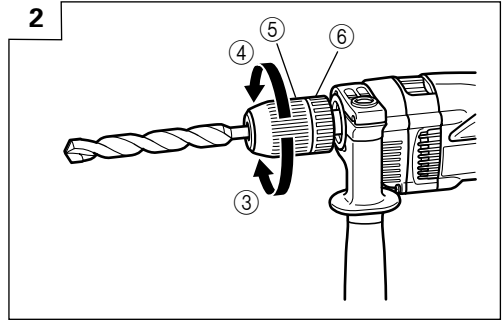
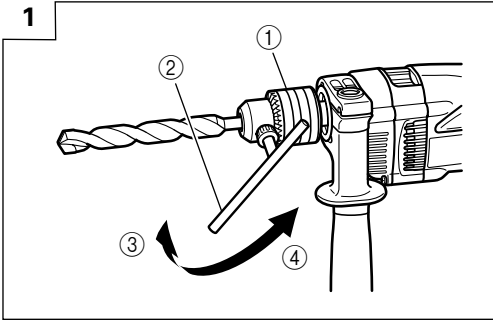


Read through carefully and understand these instructions before use.  
Diese Anleitung vor Benutzung des Werkzeugs sorgfältig durchlesen und verstehen.  
Lire soigneusement et bien assimiler ces instructions avant usage.  
Prima dell'uso leggere attentamente e comprendere queste istruzioni.  
Deze gebruiksaanwijzing s.v.p. voor gebruik zorgvuldig doorlezen.  
Leer cuidadosamente y comprender estas instrucciones antes del uso.  
Antes de usar, leia com cuidado para assimilar estas instruções.  
Διαβάστε προσεκτικά και κατανοήσετε αυτές τις οδηγίες πριν τη χρήση.

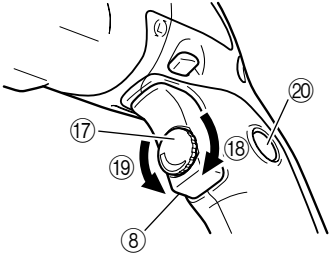


Handling instructions  
Bedienungsanleitung  
Mode d'emploi  
Istruzioni per l'uso  
Gebruiksaanwijzing  
Instrucciones de manejo  
Instruções de uso  
Οδηγίες χειρισμού

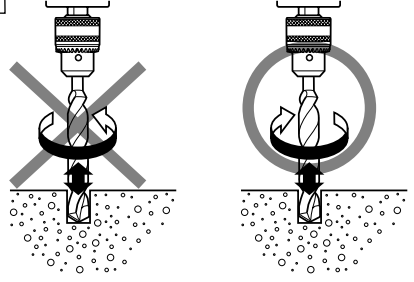
**HITACHI**



9



10



	English	Deutsch	Français	Italiano
①	Drill chuck	Bohrfutter	Mandrin	Mandrino trapano
②	Chuck wrench	Futterschlüssel	Clé de serrage	Chiave mandrino
③	Tighten	Anziehen	Serrer	Stringere
④	Loosen	Lösen	Desserrer	Allentare
⑤	Sleeve	Manschette	Manchon	Collare
⑥	Ring	Ring	Anneau	Anello
⑦	Side handle	Seitengriff	Poignée latérale	Maniglia laterale
⑧	Switch trigger	Abzugschalter	Gâchette	Grilletto interruttore
⑨	Push button	Druckknopf	Bouton poussoir	Pulsante
⑩	(R) mark	Markierung (R)	Repère (R)	Segno (R)
⑪	(L) mark	Markierung (L)	Repère (L)	Segno (L)
⑫	Depth gauge	Tiefenlehre	Jauge de profondeur	Calibro di profondità
⑬	Change lever	Umschalthebel	Lévier de changement	Leva di cambiamento
⑭	Impact	Schlagbohrre	Percussion	Impatto
⑮	Rotation	Bohren	Rotation	Rotazione
⑯	Hook (A)	Haken (A)	Crochet (A)	Gancio (A)
⑰	Speed control dial	Drehzahlscala	Molette de commande de la vitesse	Comando di velocità
⑱	High speed	Hohe Drehzahl	Vitesse élevée	Alta velocità
⑲	Low speed	Niedrige Drehzahl	Petite vitesse	Bassa velocità
⑳	Stopper	Stopper	Butée	Fermo

	Nederlands	Español	Português	Ελληνικά
①	Boorkop	PortabrocasMandril	Mandril	Σφικτήρας δραπάνου
②	Boorkopsleutel	Llave	Chave do mandril	Κλειδί σφικτήρα
③	Aandraaien	Apretar	Apertar	Σφίξτε
④	Losdraaien	Aflojar	Afrouxar	Χαλαρώστε
⑤	Klembus	Manguito	Manguito	Συνδετικός δακτύλιος
⑥	Ring	Anillo	Anel	Δακτύλιος
⑦	Zijhendel	Asa lateral	Empunhadura lateral	Πλευρική λαβή
⑧	Trekkerschakelaar	Interruptor de gatillo	Interruptor de gatilho	Σκανδάλη διακόπτης
⑨	Drukknop	Botón pulsador	Botão-interruptor	Κουμπί ώθησης
⑩	(R) merkteken	Marca (R)	Marca (R)	(R) σημάδι
⑪	(L) merkteken	Marca (L)	Marca (L)	(L) σημάδι
⑫	Dieptemeter	Calibrador de profundidad	Sonda	Μετρητής βάθους
⑬	Wisselhendel	Palanca de cambio	Seletor	Μοχλός αλλαγής
⑭	Slagboor	Impacto	Impacto	Κρούση
⑮	Rotatie	Rotación	Rotação	Περιστροφή
⑯	Haak (A)	Herramienta (A)	Gancho (A)	Γάντζος (A)
⑰	Toerentalregeling	Dial de control de velocidad	Dial de controle de velocidade	Καντράν ελέγχου ταχύτητας
⑱	Hoog toerental	Alta velocidad	rotação	Υψηλή ταχύτητα
⑲	Laag toerental	Baja velocidad	Baixa rotação	Χαμηλή ταχύτητα
⑳	Stopper	Tope	Obturador	Στόπερ

---

## GENERAL OPERATIONAL PRECAUTIONS

---

**WARNING!** When using electric tools, basic safety precautions should always be followed to reduce the risk of fire, electric shock and personal injury, including the following.

Read all these instructions before operating this product and save these instructions.

For safe operations:

1. Keep work area clean. Cluttered areas and benches invite injuries.
2. Consider work area environment. Do not expose power tools to rain. Do not use power tools in damp or wet locations. Keep work area well lit. Do not use power tools where there is risk to cause fire or explosion.
3. Guard against electric shock. Avoid body contact with earthed or grounded surfaces. (e.g. pipes, radiators, ranges, refrigerators).
4. Keep children and infirm persons away. Do not let visitors touch the tool or extension cord. All visitors should be kept away from work area.
5. Store idle tools. When not in use, tools should be stored in a dry, high or locked up place, out of reach of children and infirm persons.
6. Do not force the tool. It will do the job better and safer at the rate for which it was intended.
7. Use the right tool. Do not force small tools or attachments to do the job of a heavy duty tool. Do not use tools for purposes not intended; for example, do not use circular saw to cut tree limbs or logs.
8. Dress properly. Do not wear loose clothing or jewelry, they can be caught in moving parts. Rubber gloves and non-skid footwear are recommended when working outdoors. Wear protecting hair covering to contain long hair.
9. Use eye protection. Also use face or dust mask if the cutting operation is dusty.
10. Connect dust extraction equipment. If devices are provided for the connection of dust extraction and collection facilities ensure these are connected and properly used.
11. Do not abuse the cord. Never carry the tool by the cord or yank it to disconnect it from the receptacle. Keep the cord away from heat, oil and sharp edges.
12. Secure work. Use clamps or a vise to hold the work. It is safer than using your hand and it frees both hands to operate tool.
13. Do not overreach. Keep proper footing and balance at all times.
14. Maintain tools with care. Keep cutting tools sharp and clean for better and safer performance. Follow instructions for lubrication and changing accessories. Inspect tool cords periodically and if damaged, have it repaired by authorized service center. Inspect extension cords periodically and replace, if damaged. Keep handles dry, clean, and free from oil and grease.
15. Disconnect tools. When not in use, before servicing, and when changing accessories such as blades, bits and cutters.
16. Remove adjusting keys and wrenches. Form the habit of checking to see that keys and adjusting wrenches are removed from the tool before turning it on.

17. Avoid unintentional starting. Do not carry a plugged-in tool with a finger on the switch. Ensure switch is off when plugging in.
18. Use outdoor extension leads. When tool is used outdoors, use only extension cords intended for outdoor use.
19. Stay alert. Watch what you are doing. Use common sense. Do not operate tool when you are tired.
20. Check damaged parts. Before further use of the tool, a guard or other part that is damaged should be carefully checked to determine that it will operate properly and perform its intended function. Check for alignment of moving parts, free running of moving parts, breakage of parts, mounting and any other conditions that may affect its operation. A guard or other part that is damaged should be properly repaired or replaced by an authorized service center unless otherwise indicated in this handling instructions. Have defective switches replaced by an authorized service center. Do not use the tool if the switch does not turn it on and off.
21. Warning  
The use of any accessory or attachment, other than those recommended in this handling instructions, may present a risk of personal injury.
22. Have your tool repaired by a qualified person.  
This electric tool is in accordance with the relevant safety requirements. Repairs should only be carried out by qualified persons using original spare parts. Otherwise this may result in considerable danger to the user.

---

## PRECAUTIONS ON USING IMPACT DRILL

---

1. Before drilling into walls, ceilings or floors, ensure that there are no concealed power cables inside.
2. When boring concrete or similar hard materials in IMPACT mode, push the R-side of the push button. (Fig. 10)

## SPECIFICATIONS

Voltage (by areas)*	(110V, 220V, 230V, 240V) ∩	
Power input	590W*	
No load speed	0–2900 min <sup>-1</sup>	
Drill chuck capacity	13 mm	
Capacity	Steel	13 mm
	Concrete	16 mm
	Wood	25 mm
Full load impact rate	34500 min <sup>-1</sup>	
Weight (without cord)	1.5 kg	

\*Be sure to check the nameplate on product as it is subject to change by areas.

## STANDARD ACCESSORIES

- (1) Chuck Wrench (Spec. only for chuck fitted with chuck wrench) ..... 1
  - (2) Side Handle ..... 1
  - (3) Depth Gauge ..... 1
  - (4) Plastic case ..... 1
- Standard accessories are subject to change without notice.

## OPTIONAL ACCESSORIES (sold separately)

- (1) Impact Drill Bit (for concrete)  
3.2 mm – 20 mm dia.
  - (2) Hook (A)
- Optional accessories are subject to change without notice.

## APPLICATIONS

- By combined actions of ROTATION and IMPACT:  
Boring holes in hard materials (concrete, marble, granite, tiles, etc.)
- By ROTATIONAL action:  
Boring holes in metal, wood and plastic.

## PRIOR TO OPERATION

### 1. Power source

Ensure that the power source to be utilized conforms to the power requirements specified on the product nameplate.

### 2. Power switch

Ensure that the power switch is in the OFF position. If the plug is connected to a receptacle while the power switch is in the ON position, the power tool will start operating immediately, inviting serious accident.

### 3. Extension cord

When the work area is removed from the power source. Use an extension cord of sufficient thickness and rated capacity. The extension cord should be kept as short as practicable.

### 4. Selecting the appropriate drill bit

- When boring concrete or stone  
Use the drill bits specified in the Optional Accessories.
- When boring metal or plastic  
Use an ordinary metalworking drill bit.
- When boring wood  
Use an ordinary woodworking drill bit.  
However, when drilling 6.5 mm or smaller holes, use a metalworking drill bit.

### 5. Mounting and dismounting of the bit.

#### For Drill chuck with chuck wrench (Fig. 1)

- (1) Open the chuck jaws, and insert the bit into the chuck.
- (2) Place the chuck wrench in each of the three holes in the chuck, and turn it in the clockwise direction (viewed from the front side). Tighten securely.
- (3) To remove the bit, place the chuck wrench into one of the holes in the chuck and turn it in the counterclockwise direction.

#### For keyless chuck (Fig. 2)

- (1) Open the chuck jaws, and insert the bit into the chuck.  
To open the chuck jaws, hold the ring while turning the sleeve in the counterclockwise direction (viewed from the front side).
  - (2) Firmly grasp the ring and turn the sleeve in the clockwise direction. Tighten securely.
  - (3) To remove the bit, firmly grasp the ring and turn the sleeve in the counterclockwise direction.
  - (4) When the sleeve does not become loose any further, fix the side handle to retaining ring, hold side handle firmly, then turn the sleeve to loosen by hand. (Fig. 3)
- ### 6. Check the rotational direction (Fig. 4)

The bit rotates clockwise (viewed from the rear side) by pushing the R-side of the push button. The L-side of the push button is pushed to turn the bit counterclockwise.  
(The (L) and (R) marks are provided on the body.)

### CAUTION

Always use the impact drill with clockwise rotation, when using it as an impact drill.

**7. Fixing the side handle (Fig. 5)**

Attach the side handle to the mounting part.

Rotate the side handle grip in a clockwise direction to secure it.

Set the side handle to a position that is suited to the operation and then securely tighten the side handle grip.

To attach a depth gauge on the side handle, insert the gauge into the U-shaped groove on the side handle, adjust the position of the depth gauge in accordance with the desired depth of the hole, and firmly tighten the side handle grip. (Fig. 6)

**8. IMPACT to ROTATION changeover (Fig. 7)**

Shift the change lever between the right and left positions to switch easily between IMPACT (rotation and impact) and ROTATION (rotation only), respectively.

To bore holes in hard materials such as concrete, stone and tiles, shift the change lever to the right-hand position (as indicated by the **T** mark).

The drill bit operates by the combined actions of impact and rotation.

To bore holes in metal, wood and plastic, shift the change lever to the left-hand position (as indicated by the **I** mark). The drill bit operates by rotational action only, as in the case of a conventional electric drill.

**CAUTION**

- Do not use the Impact Drill in the IMPACT function if the material can be bored by rotation only. Such action will not only reduce drill efficiency, but may also damage the drill tip.
- Operating the Impact Drill with the change lever in mid-position may result in damage. When switching, make sure that you shift the change lever to the correct position.

**9. Attaching the hook. (Optional accessory) (Fig. 8)**

To attach the hook (A), it is necessary to disassemble the handle portion which covered the tool's electrical system. For your continued safety and electrical shock protection, installing the hook (A) on this drill should **ONLY** be performed by a HITACHI AUTHORIZED SERVICE CENTER.

**CAUTION:**

When the power tool is used with a hook fixed to it, pay attention to the following points:

- Before hanging the main unit from the waist belt, make sure that the drill has come to a complete stop. While it is suspended from the waist belt, the power plug must be disconnected from the power source.
- Do not walk about with the power tool hanging from the waist belt.
- In the case of operation in a high place, it is dangerous to drop the tool accidentally. If the hook is deformed or hung from the wrong position, there is danger that the hook will slip off and the tool will fall. Be careful to avoid danger.
- In making a through hole, the power tool sometimes shakes violently when the workpiece is pierced, from example. Be careful you are not hurt by the hook even if such situation happens.

**HOW TO USE****1. Switch operation**

- When the trigger is depressed, the tool rotates. When the trigger is released, the tool stops.
- The rotational speed of the drill can be controlled by varying the amount that the trigger switch is pulled. Speed is low when the trigger switch is pulled slightly and increases as the trigger switch is pulled more.
- The desired rotation speed can be pre-selected with the speed control dial.

Turn the speed control dial clockwise for higher speed and counterclockwise for lower speed. (Fig. 9)

- Pulling the trigger and pushing the stopper, it keeps the switched-on condition which is convenient for continuous running. When switching off, the stopper can be disconnected by pulling the trigger again.

**2. When using as a Drill or an Impact Drill**

- (1) Pressing force of the drill

You cannot drill holes more quickly even if you press the drill with a stronger force than necessary. It not only damages tip of drill bit and decreases the efficiency of operation, but also shortens the life of the drill tip.

- (2) In case of penetrating holes

Drill bits can be broken when the material being drilled is penetrated. It is important to decrease pressing force just before penetrating.

**CAUTION**

In continuous operation, conduct no-load operation for five seconds after completing a drilling job.

- (3) When a thick drill bit is used

Your arm is subjected to larger reaction force when a thicker drill bit is used. Be careful not to be moved by the reaction force. For this, establish a foothold, hold the unit tightly with both hands perpendicularly to the material being drilled.

**MAINTENANCE AND INSPECTION****1. Inspecting the drill bits**

Since use of an abraded drill bits will cause motor malfunctioning and degraded efficiency, replace the drill bits with a new one or resharpener without delay when abrasion is noted.

**2. Inspecting the mounting screws**

Regularly inspect all mounting screws and ensure that they are properly tightened. Should any of the screws be loose, retighten them immediately. Failure to do so could result in serious hazard.

**3. Maintenance of the motor**

The motor unit winding is the very "heart" of the power tool. Exercise due care to ensure the winding does not become damaged and/or wet with oil or water.

**4. Inspecting the carbon brushes**

For your continued safety and electrical shock protection, carbon brush inspection and replacement on this tool should **ONLY** be performed by a HITACHI AUTHORIZED SERVICE CENTER.

## 5. Service parts list

### CAUTION:

Repair, modification and inspection of Hitachi Power Tools must be carried out by an Hitachi Authorized Service Center.

This Parts List will be helpful if presented with the tool to the Hitachi authorized Service Center when requesting repair or other maintenance.

In the operation and maintenance of power tools, the safety regulations and standards prescribed in each country must be observed.

### MODIFICATION:

Hitachi Power Tools are constantly being improved and modified to incorporate the latest technological advancements.

Accordingly, some parts may be changed without prior notice.

---

### NOTE

Due to HITACHI's continuing program of research and development, the specifications herein are subject to change without prior notice.

---

### IMPORTANT

#### Correct connection of the plug

The wires of the mains lead are coloured in accordance with the following code:

Blue:- Neutral

Brown:- Live

As the colours of the wires in the mains lead of this tool may not correspond with the coloured markings identifying the terminals in your plug proceed as follows:

The wire coloured blue must be connected to the terminal marked with the letter N or coloured black.

The wire coloured brown must be connected to the terminal marked with the letter L or coloured red.

Neither core must be connected to the earth terminal.

### NOTE

This requirement is provided according to BRITISH STANDARD 2769: 1984.

Therefore, the letter code and colour code may not be applicable to other markets except United Kingdom.

---

---

### Information concerning airborne noise and vibration

The measured values were determined according to EN50144.

The typical A-weighted sound pressure level: 99 dB (A).

The typical A-weighted sound power level: 112 dB (A).

Wear ear protection.

The typical weighted root mean square acceleration value: 10.5 m/s<sup>2</sup>.

---

---



## ALLGEMEINE VORSICHTSMASSNAHMEN

**WARNUNG!** Bei der Verwendung von Elektrowerkzeugen müssen immer die grundlegenden Vorsichtsmaßnahmen befolgt werden, um das Risiko von Feuer, elektrischem Schlag und persönlicher Verletzung und den nachfolgenden Punkten zu vermeiden. Lesen Sie diese Anweisungen völlig, bevor Sie dieses Erzeugnis verwenden, und bewahren Sie diese Anweisungen auf.

Für sicheren Betrieb:

- Der Arbeitsplatz sollte sauber gehalten werden. Unaufgeräumte Arbeitsplätze und Werkbänke erhöhen die Unfallgefahr.
- Die Betriebsbedingungen beachten. Elektrowerkzeuge sollten nicht dem Regen ausgesetzt werden. Ebenfalls sollten Sie nicht an feuchten oder nassen Plätzen gebraucht werden. Der Arbeitsplatz sollte gut beleuchtet sein. Verwenden Sie Elektrowerkzeuge nicht an Orten, an denen die Gefahr von Feuer oder Explosion besteht.
- Schutzmaß nahmen gegen elektrische Schläge treffen. Darauf achten, daß das Gehäuse nicht in Kontakt mit geerdeten Flächen kommt. (z.B. Rohre, Radiatoren, Elektroherde, Kühlschränke).
- Kinder und gebrechliche Personen sollten vom Gerät ferngehalten werden. Andere Personen nicht mit dem Werkzeug oder dem Verlängerungskabel in Kontakt kommen lassen. Besucher sollten vom Arbeitsbereich ferngehalten werden.
- Nicht benutzte Werkzeuge sollten sicher aufbewahrt werden. Sie sollten an einem trockenen und hochgelegenen oder verschließbaren Ort aufbewahrt werden, außerhalb der Reichweite von Kindern und gebrechlichen Personen.
- Werkzeuge sollten nicht mit übermäßiger Gewalt verwendet werden. Ihre Leistung ist besser und sicherer, wenn sie mit der vorgeschriebenen Geschwindigkeit verwendet werden.
- Nur die korrekten Werkzeuge verwenden. Niemals ein kleineres Werkzeug oder Zusatzgerät für Arbeiten verwenden, die Hochleistungsgeräte erfordern. Nur Werkzeuge verwenden, die dem Verwendungszweck entsprechen, d.h. niemals eine Kreissäge zum Sägen von Ästen oder Baumstämmen verwenden.
- Die richtige Kleidung tragen. Keine lose Kleidung oder Schmuck tragen, da sich lose Kleidungsstücke in den bewegenden Teilen verfangen können. Bei Arbeiten im Freien sollten Gummihandschuhe und rutschfeste Schuhe getragen werden. Tragen Sie eine schützende Haarabdeckung, um langes Haar zurückzuhalten.
- Es sollte eine Sicherheitsbrille getragen werden. Bei Arbeiten mit Staubentwicklung sollte eine Gesichtsmaske getragen werden.
- Schließen Sie eine Staubabsaugvorrichtung an. Wenn Vorrichtungen für den Anschluß von Staubabsaug- und -sammelvorrichtungen vorhanden sind, so stellen Sie sicher, daß diese angeschlossen sind und richtig verwendet werden.
- Niemals das Kabel mißbrauchen. Ein Werkzeug niemals am Kabel tragen oder bei Abtrennung von der Steckdose das Kabel herausreißen. Das Kabel sollte gegen Hitze, Öl und scharfe Kanten geschützt werden.
- Den Arbeitsplatz gut absichern. Zwingen oder einen Schraubstock zur Befestigung des Werkstücks verwenden. Das ist sicherer als die Benutzung der Hände und macht beide Hände zur Bedienung des Werkzeugs frei.

- Sich niemals weit überbeugen. Immer einen festen Stand und ein sicheres Gleichgewicht bewahren.
- Die Werkzeuge sollten sorgfältig behandelt werden. Für einen einwandfreien und sicheren Betrieb sollten sie stets scharf sein und saubergehalten werden. Die Anleitungen für Schmierung und Austausch des Zuehørs unbedingt einhalten. Die Kabel der Geräte regelmäßig überprüfen und bei Beschädigung durch eine autorisierte Kundendienststelle reparieren lassen. Ebenfalls die Verlängerungskabel regelmäßig überprüfen und bei Beschädigung auswechseln. Die Handgriffe sollten stets trocken und sauber sein, sowie keine Öl- oder Schmierfett stellen aufweisen.
- Werkzeuge vom Netz trennen, wenn sie nicht benutzt werden, vor Wartungsarbeiten und beim Austausch von Zubehörtteilen wie z.B. Blätter, Bohrer und Messer.
- Alle Stelleile und Schraubenschlüssel entfernen. Vor Einschaltung des Gerätes darauf achten, daß alle Stelleile und Schraubenschlüssel entfernt worden sind.
- Ein unbeabsichtigtes Einschalten sollte vermieden werden. Niemals ein angeschlossenes Werkzeug mit dem Finger am Schalter tragen. Vor Anschluß überprüfen, ob das Gerät ausgeschaltet ist.
- Im Freien ein Verlängerungskabel verwenden. Nur ein Verlängerungskabel verwenden, das für die Verwendung im Freien markiert ist.
- Den Arbeitsvorgang immer unter Kontrolle haben. Das Gerät niemals in einem abgespannten Zustand verwenden.
- Beschädigte Teile überprüfen. Vor Benutzung des Werkzeugs sollten beschädigte Teile oder Schutzvorrichtungen sorgfältig überprüft werden, um festzustellen, ob sie einwandfrei funktionieren und die vorgesehene Funktion erfüllen, Ausrichtung, Verbindungen sowie Anbringung sich bewegender Teile überprüfen. Ebenfalls überprüfen, ob Teile gebrochen sind. Teile oder Schutzvorrichtungen, die beschädigt sind, sollten, wenn in dieser Bedienungsanleitung nichts anderes erwähnt ist, durch eine autorisierte Kundendienststelle ausgetauscht oder repariert werden. Dasselbe gilt für defekte Schalter. Wenn sich das Werkzeug nicht mit dem Schalter einoder ausschalten läßt, sollte das Werkzeug nicht verwendet werden.
- Warnung  
Die Verwendung von anderem Zubehör oder anderen Zusätzen als in dieser Bedienungsanleitung empfohlen kann das Risiko einer Körperverletzung einschließen.
- Lassen Sie Ihr Werkzeug durch qualifiziertes Personal reparieren. Dieses Elektrowerkzeug entspricht den zutreffenden Sicherheitsanforderungen. Reparaturen sollten nur von qualifiziertem Personal unter Verwendung von Originalersatzteilen durchgeführt werden, da sonst beträchtliche Gefahr für den Benutzer auftreten kann.

## VORSICHTSMASSNAHMEN FÜR DIE BENUTZUNG DER SCHLAGBOHRMASCHINE

- Bevor man in Wände, in Decken oder Boden bohrt, muß man sich davon überzeugen, daß keine elektrischen Kabel oder Kabelrohre darunter liegen.
- Beim Bohren von Beton oder anderen harten Materialien in Schlagbohr-Betriebsart die R-Seite der Drucktaste drücken. (**Abb. 10**)

## TECHNISCHE DATEN

Spannung (je nach Gebiet)*		(110V, 220V, 230V, 240V) ~
Leistungsaufnahme		590W*
Leerlaufdrehzahl		0-2900 min <sup>-1</sup>
Spannfutterkapazität		13 mm
Kapazität	Stahl	13 mm
	Beton	16 mm
	Holz	25 mm
Vollastschlagzahl		34500 min <sup>-1</sup>
Gewicht (ohne Kabel)		1,5 kg

\*Vergessen Sie nicht, die Produktangaben auf dem Typenschild zu überprüfen, da sich diese je nach Verkaufsgebiet ändern.

## STANDARDZUBEHÖR

- (1) Bohrfutterschlüssel (Technische Daten nur für Futter mit Futterschlüssel Bohrer) ..... 1
  - (2) Handgriff ..... 1
  - (3) Tiefenlehre ..... 1
  - (4) Plastikgehäuse ..... 1
- Das Standardzubehör kann ohne vorherige Bekanntmachung jederzeit geändert werden.

## SONDERZUBEHÖR (separat zu beziehen)

- (1) Schlagbohrer (für Beton)  
3,2 mm bis 20 mm Durchmesser
  - (2) Haken (A)
- Das Sonderzubehör kann ohne vorherige Bekanntmachung jederzeit geändert werden.

## ANWENDUNGEN

- Kombiniertes Betrieb von DREHUNG und STOSS:  
Bohren von Löchern in harten Flächen (Beton, Marmor, Granit, Kachel, etc.)
- Betrieb durch einfache DREHUNG:  
Bohren von Löchern in Metall, Holz und plastisches Material.

## VOR INBETRIEBNAHME

1. **Netzspannung**  
Prüfen, daß die zu verwendende Netzspannung der Angabe auf dem Typenschild entspricht.
2. **Netzschalter**  
Prüfen, daß der Netzschalter auf "AUS" steht. Wenn der Stecker an das Netz angeschlossen ist, Während der Schalter auf "EIN" steht, beginnt das Werkzeug sofort zu laufen und bedeutet ernsthafte Gefahr.
3. **Verlängerungskabel**  
Wenn der Arbeitsbereich nicht in der Nähe des Netzanschlusses liegt, ist ein Verlängerungskabel ausreichenden Querschnitts und ausreichender Nennleistung zu verwenden. Das Verlängerungskabel sollte so kurz wie möglich gehalten werden.

### 4. Wahl des geeigneten Bohrers

- Beim Bohren von Beton oder Stein  
Die unter Sonderzubehör aufgeführten Bohrer verwenden.
- Beim Bohren von Metall oder Kunststoff  
Einen normalen Metallbohrer verwenden.
- Beim Bohren von Holz  
Einen normalen Holzspiralbohrer verwenden. Für Löcher von 6,5 mm oder kleiner wird ein Metallbohrer verwendet.

### 5. Anbringen und Abnehmen der Werkzeugspitze

#### Für Bohrfutter mit Futterschlüssel (Abb. 1)

- (1) Öffnen Sie die Spannbacken des Futters und schieben Sie den Bohrer in das Futter.
- (2) Schieben Sie den Futterschlüssel in jedes der drei Löcher des Spannfutters ein und drehen Sie den Schlüssel im Uhrzeigersinn (von der Vorderseite her gesehen). Ziehen Sie fest an.
- (3) Schieben Sie zum Entfernen des Bohrers den Futterschlüssel in eins der Löcher des Spannfutters und drehen Sie ihn gegen den Uhrzeigersinn.

#### Für ein schlüsselfreies Spannfutter (Abb. 2)

- (1) Öffnen Sie die Spannbacken des Futters und schieben Sie den Bohrer in das Futter.
  - (2) Halten Sie den Ring fest und drehen Sie die Muffe im Uhrzeigersinn. Ziehen Sie fest an.
  - (3) Halten Sie zum Entfernen des Bohrers den Ring fest und drehen Sie die Muffe entgegen dem Uhrzeigersinn.
  - (4) Wenn sich die Buchse nicht weiter lockern läßt, so fixieren Sie den Seitengriff am Haltering, halten Sie den Seitengriff fest, und drehen Sie dann die Buchse, um sie von Hand zu lösen. (Abb. 3)
6. **Überprüfen der Drehrichtung (Abb. 4)**  
Der Bohrer dreht sich im Uhrzeigersinn (gesehen von hinten), Wenn die R-Seite des Druckknopfs gedrückt wird. Wenn die L-Seite des Bohrers gedrückt wird, dreht sich der Bohrer gegen den Uhrzeigersinn. (Die Markierungen (L) und (R) befinden sich auf dem Körper der Bohrmaschine.)

#### VORSICHT

Immer den Schlagbohrschrauber im Uhrzeigersinn betätigen, wenn er als Stoßbohrer gebraucht wird.

**7. Anbringen des Handgriffes (Abb. 5)**

Den Handgriff an der Halterung anbringen. Den Griff des Handgriffs zum Befestigen im Uhrzeigersinn drehen.

Den Handgriff in eine Position stellen, die der Bedienung angemessen ist, und dann den Handgriff sicher befestigen. Zum Anbringen des Tiefenanschlags am Handgriff die Anschlagstange in die U-förmige Rille des Handgriffs einsetzen, den Tiefenanschlag auf die gewünschte Lochtiefe einstellen und den Seitenhandgriff fest anziehen. (Abb. 6)

**8. Umstellung von SCHLAGBOHREFUNKTION auf BOHREN (Abb. 7)**

Den Umschalthebel zwischen der rechten und der linken Position umschalten, um zwischen IMPACT (Schlagen und Drehen) und ROTATION (nur Drehen) umzuschalten.

Zum Bohren von Löchern in harten Materialien wie Beton oder Dachziegeln den Umschalthebel zur rechten Position (wie durch die Markierung **T** angezeigt) umschalten. Der Bohrer führt dann Schlagbohren durch eine Kombination von Schlag und Drehen durch.

Zum Bohren von Löchern in Metall, Holz oder Plastik den Umschalthebel zur linken Position (wie durch die Markierung **2** angezeigt) umschalten. Der Bohrer arbeitet dann wie ein herkömmlicher Elektroböhrer nur durch Drehung.

**VORSICHT**

- Den Schlagbohrer nicht mit der Schlagbohrfunktion verwenden, wenn sich das Material in reiner Bohrfunktion bohren läßt. Dadurch wird nicht nur die Leistung des Bohrers vermindert, sondern es kann auch die Bohrspitze beschädigt werden.
- Betrieb des Schlagbohrers mit dem Umschalthebel in mittlerer Stellung kann Beschädigung verursachen. Beim Umschalten immer sicherstellen, dass der Umschalthebel in die richtige Position geschaltet wird.

**9. Anbringen des Hakens (Sonderzubehör) (Abb. 8)**

Zum Anbringen des Hakens (A) ist es erforderlich, den Handgriffabschnitt zu entfernen, der das Elektrosystem der Bohrmaschine abdeckt. Zur Erhaltung Ihrer Sicherheit und des Schutzes gegen elektrischen Schlag sollte der Haken (A) NUR DURCH EIN AUTORISIERTES HITACHI WARTUNGSZENTRUM angebracht werden.

**ACHTUNG:**

Achten Sie bei Verwendung der Bohrmaschine mit angebrachtem Haken auf die folgenden Punkte:

- Stellen Sie sicher, daß die Bohrmaschine vollständig angehalten hat, bevor Sie diese am Gürtel aufhängen. Während Aufhängung am Gürtel muß der Stecker des Netzkabel aus der Steckdose gezogen sein.
- Gehen Sie nicht herum, während die Bohrmaschine am Gürtel hängt.
- Bei Arbeit an einem höheren Ort ist versehentliches Herunterfallen der Bohrmaschine gefährlich. Wenn der Haken verformt ist oder Aufhängung an der falschen Stelle erfolgt, besteht die Gefahr, daß sich der Haken löst und die Bohrmaschine herunterfällt. Lassen Sie Sorgfalt walten, um Gefahr zu verhüten.

- Beim Bohren eines durchgehenden Loches kann es zu heftigem Schütteln der Bohrmaschine kommen, wenn die Bohrspitze aus dem Material austritt. Achten Sie darauf, daß Sie auch in einem solchen Fall nicht durch den Haken verletzt werden.

**VERWENDUNG****1. Schalterbetätigung**

- Wenn der Abzugschalter durchgedrückt wird, dreht sich das Werkzeug. Wenn der Abzugschalter losgelassen wird, hält das Werkzeug an.
- Die Drehzahl des Bohrers kann durch entsprechendes Durchziehen des Abzugschalters geregelt werden. Wenn der Abzugschalter nur leicht durchgedrückt wird, ist die Drehzahl niedrig, und sie nimmt zu, wenn der Abzugschalter stärker durchgedrückt wird.
- Die gewünschte Drehzahl kann mit der Drehzahlkala voreingestellt werden. Drehen Sie die Drehzahlkala im Uhrzeigersinn für eine höhere Drehzahl und gegen den Uhrzeigersinn für eine niedrigere Drehzahl. (Abb. 9)
- Wenn der Abzugschalter durchgedrückt und der Stopper gedrückt wird, bleibt die Maschine eingeschaltet, was angenehm für kontinuierliche Verwendung ist. Zum Ausschalten kann der Stopper durch erneutes Durchdrücken des Abzugschalters freigegeben werden.

**2. Gebrauch des Werkzeuges als Bohrer oder Spießbohrer****(1) Aufdruckkraft**

Die Löcher werden nicht schneller gebohrt werden, wenn dazu mehr Abdruckkraft als nötig auf das Werkzeug ausgeübt wird. Nicht nur würde dadurch die Bohrspitze beschädigt und die Leistung vermindert werden, sondern die Lebensdauer des Werkzeuges würde sich auch verkürzen.

**(2) Löcherbohren**

Um zu vermeiden, daß die Bohrspitze beim Bohren bricht, ist es wichtig die Aufdruckkraft am Anfang der Bohrerarbeit zu verringern.

**VORISCHT**

Für Dauerbetrieb, ungegüher 5 Sekunden nach Beendigung einer Bohrarbeit leerlaufen lassen.

**(3) Gebrauch einer dicken Bohrspitze**

Bei Gebrauch einer dicken Bohrspitze wird Ihr Arm einer größeren Kraftanwendung unterworfen, Lassen Sie sich dadurch nicht mitreißen. Eine feste Stelle an der man Fuß fassen kann vorsehen, das Werkzeug mit beiden Händen und senkrecht ans Arbeitsmaterial halten.

**WARTUNG UND INSPEKTION****1. Inspektion der Bohrer**

Da ein abgenutzter Bohrer Fehlfunktion des Motors und verringerte Wirksamkeit verursacht, sollten Sie die Bohrer sofort schärfen durch neue ersetzen, wenn Verschleiß festgestellt wird.

**2. Inspektion der Befestigungsschraube**

Alle Befestigungsschrauben werden regelmäßig inspiziert und geprüft, daß sie richtig angezogen sind. Wenn sich eine der Schrauben lockert, maß sie sofort wieder angezogen Werden. Geschieht das nicht, kann das zu erheblicher Gefahr führen.

### 3. **Wartung des Motors**

Die Motorwicklung ist das "Herz" des Elektrowerkzeugs. Daher ist besonders sorgfältig darauf zu achten, daß die Wicklung nicht beschädigt und/oder mit Öl oder Wasser benetzt wird.

### 4. **Inspektion der Kohlebürsten**

Zur Erhaltung Ihrer Sicherheit und des Schutzes gegen elektrischen Schlag sollten Inspektion und Auswechseln der Kohlebürsten NUR DURCH EIN AUTORISIERTES HITACHI-WARTUNGSZENTRUM durchgeführt werden.

### 5. **Liste der Wartungsteile**

#### **ACHTUNG:**

Reparatur, Modifikation und Inspektion von Hitachi-Elektrowerkzeugen müssen durch ein autorisiertes Hitachi-Kundendienstzentrum durchgeführt werden. Diese Teileliste ist hilfreich, wenn sie dem autorisierten Hitachi-Kundendienstzentrum zusammen mit dem Werkzeug für Reparatur oder Wartung ausgehändigt wird.

Bei Betrieb und Wartung von Elektrowerkzeugen müssen die Sicherheitsvorschriften und Normen beachtet werden.

#### **MODIFIKATIONEN:**

Hitachi-Elektrowerkzeuge werden fortwährend verbessert und modifiziert, um die neuesten technischen Fortschritte einzubauen.

Dementsprechend ist es möglich, daß einige Teile ohne vorherige Benachrichtigung geändert werden.

---

#### **HINWEIS**

Aufgrund des ständigen Forschungs- und Entwicklungsprogramms von HITACHI sind Änderungen der hierin gemachten technischen Angaben vorbehalten.

---

---

#### **Information über Betriebslärm und Vibration**

Die Meßwerte wurden entsprechend EN50144 bestimmt.

Der typische A-gewichtete Schalldruck ist 99 dB (A).

Der typische A-gewichtete Schalleistungspegel ist 112 dB (A).

Bei der Arbeit immer einen Ohrenschutz tragen.

Der typische gewogene quadratische Mittelwert für die Beschleunigung ist 10,5 m/s<sup>2</sup>.

---

---

## **PRECAUTIONS GENERALES DE TRAVAIL**

**ATTENTION!** Lors de l'utilisation d'un outillage électrique, les précautions de base doivent être respectées de manière à réduire les risques d'incendie, de secousse électrique et de blessure corporelle, y compris les précautions suivantes.

Lire ces instructions avant d'utiliser le produit et conserver ces instructions pour référence.

Pour assurer un fonctionnement sûr:

1. Maintenir l'aire de travail propre. Des ateliers ou des établis en désordre risquent de provoquer des accidents.
2. Tenir compte de l'environnement de l'aire de travail. Ne pas exposer les outils électriques à la pluie. Ne pas les utiliser dans des endroits humides. Travailler dans un endroit bien éclairé. Ne pas utiliser d'outillage électrique s'il existe un risque d'incendie ou d'explosion.
3. Protection contre une décharge électrique. Eviter tout contact corporel avec des surfaces de mise à la terre telles que les tuyaux, radiateurs, cuisinières et réfrigérateurs.
4. Tenir les enfants et les personnes infirmes éloignés. Ne pas laisser les visiteurs toucher l'outil ni son cordon d'alimentation. Il est préférable de tenir les visiteurs et les personnes infirmes à l'écart de l'aire de travail.
5. Ranger les outils non utilisés. Quand on ne les utilise pas, il est recommandé de ranger les outils dans un endroit sec, verrouillé ou hors de portée des enfants et des personnes infirmes.
6. Ne pas forcer l'outil. Il fonctionnera mieux et plus sûrement à la vitesse pour laquelle il a été conçu.
7. Utiliser l'outil approprié. Ne pas essayer de faire avec un petit outil le travail prévu pour un outil plus important. Toujours utiliser l'outil adéquat; par exemple, ne pas se servir d'une scie circulaire pour couper des branches d'arbres ou des billots de bois.
8. Porter des vêtements appropriés. Ne pas mettre de vêtements flottants ou de bijoux qui risquent d'être pris dans les pièces mobiles. Si l'on travaille à l'extérieur, il est recommandé de porter des gants de caoutchouc et des chaussures à semelles antidérapantes. Veiller à s'attacher les cheveux ou à mettre un bonnet si on a les cheveux longs.
9. Porter des lunettes protectrices. Mettre un masque si l'opération de coupe crée de la poussière.
10. Relier l'équipement d'extraction de poussière. Si des dispositifs sont prévus pour le raccordement d'installations d'extraction et de collection de poussière, s'assurer qu'ils sont correctement raccordés et utilisés.
11. Prendre soin du fil. Ne jamais transporter l'outil en tirant sur le fil d'un coup sec. Tenir le fil à l'abri de la chaleur, l'éloigner de l'huile ou de bords tranchants.
12. Fixer fermement la pièce à travailler. Utiliser des agrafes ou un étai pour la maintenir. C'est plus sûr que d'utiliser ses mains et cela est libère pour faire fonctionner l'outil.
13. Ne pas présumer de ses forces. Essayer de garder son équilibre en toute circonstance.

14. Entretien des outils avec soin. Les conserver bien aiguisés et les nettoyer afin d'en obtenir les meilleures performances et de pouvoir les utiliser sans danger. Suivre les instructions pour le graissage et le changement des accessoires. Vérifier régulièrement les fils et cordons et s'ils sont endommagés, les faire réparer par une personne compétente. Vérifier régulièrement les rallonges et les remplacer si elles sont endommagées. Veiller à ce que les poignées soient toujours sèches et propres, sans huile ni graisse.
15. Débrancher les outils lorsqu'on ne les utilise pas, avant toute opération d'entretien et lors du changement d'accessoire; comme par exemple quand on change les lames, les forets, les fraises, etc.
16. Retirer les clés de réglage. Prendre l'habitude de toujours vérifier que les clés de réglage sont bien retirées de l'appareil avant de le mettre en marche.
17. Eviter toute mise en marche accidentelle. Ne pas transporter l'outil branché avec un doigt sur l'interrupteur. S'assurer que l'interrupteur est sur la position d'arrêt quand on branche l'outil.
18. Utilisation de rallonges à l'extérieur. Quand on utilise l'outil à l'extérieur, ne se servir que des rallonges prévues pour l'extérieur et portant une marque distinctive.
19. Soyez vigilant. Regardez bien ce que vous faites. Faites appel à votre bon sens. N'utilisez pas l'outil quand vous êtes fatigué.
20. Vérifier les pièces endommagées. Avant d'utiliser davantage l'outil, vérifier attentivement toute pièce endommagée afin de déterminer si l'outil peut fonctionner correctement et effectuer le travail pour lequel il est prévu. Vérifier l'alignement et la flexion des pièces mobiles, la cassure des pièces, le montage et toute autre condition risquant d'affecter le bon fonctionnement de l'outil. Un protecteur ou toute autre pièce endommagée devra être correctement réparé ou remplacé par un service d'entretien autorisé, sauf autre indication dans ce mode d'emploi. Faire remplacer les interrupteurs défectueux par un service d'entretien autorisé. Ne pas utiliser l'outil si l'interrupteur ne permet pas de le mettre en marche ou de l'arrêter.
21. Précaution  
L'utilisation d'un accessoire ou dispositif annexe autre que ceux conseillés dans ce mode d'emploi peut entraîner un risque de blessure corporelle.
22. Confier la réparation d'un outil à un technicien qualifié. Cet outil électrique a été conçu conformément aux règles de sécurité en usage. Les réparations doivent être effectuées par du personnel qualifié utilisant des pièces d'origine. Dans le cas contraire, l'utilisateur s'expose à des risques graves.

## **PRECAUTIONS POUR L'UTILISATION DE LA PRECEUSE PERCUSSION**

1. Avant de percer dans un mur, un plancher ou un plafond, s'assurer bien qu'ils ne renferment ni câbles ni lignes électriques.
2. Lors d'un forage dans du béton ou dans des matériaux de dureté similaire en mode IMPACT, appuyer sur le côté R du levier de détente. (voir Fig. 10)

## SPECIFICATIONS

Tension (per sone)*	(110V, 220V, 230V, 240V) ∩	
Puissance	590W*	
Vitesse sans charge	0–2900 min <sup>-1</sup>	
Capacité de mèche	13 mm	
Capacité	Acier	13 mm
	Béton	16 mm
	Bois	25 mm
Vitesse de percussion à pleine charge	34500 min <sup>-1</sup>	
Poids (sans fil)	1,5 kg	

\*Assurez-vous de vérifier la plaque signalétique sur le produit qui peut changer suivant les régions.

## ACCESSOIRES STANDARDS

- (1) Clef pour mandrin (Spéc. uniquement pour mandrin avec clé de serrage) ..... 1
  - (2) Poignée latérale ..... 1
  - (3) Jauge de profondeur ..... 1
  - (4) Boîtier en plastique ..... 1
- Les accessoires standards sont sujettes à changement sans préavis.

## ACCESSOIRES EN OPTION

(vendu séparément)

- (1) Foret à percussion (pour béton)  
Dia. 3,2 mm-20 mm
  - (2) Crochet (A)
- Les accessoires à option sont sujettes à changement sans préavis.

## APPLICATIONS

- Action combinée de ROTATION et PERCUSSION:  
Perçage de trous dans surfaces dures (béton, marbre, granite, tuilles, etc.).
- Par action de ROTATION:  
Perçage de trous dans métal, bois et matières plastiques.

## AVANT LA MISE EN MARCHÉ

### 1. Source de puissance

S'assurer que la source de puissance à utiliser correspond à la puissance indiquée sur la plaque signalétique du produit.

### 2. Interrupteur de puissance

S'assurer que l'interrupteur de puissance est en position ARRÊT. Si la fiche est branchée alors que l'interrupteur est sur MARCHÉ, l'outil démarre immédiatement et peut provoquer un grave accident.

### 3. Fil de rallonge

Lorsque la zone de travail est éloignée de la source de puissance, utiliser un fil de rallonge d'une épaisseur suffisante et d'une capacité nominale suffisante. Le fil de rallonge doit être aussi court que possible.

### 4. Choix du foret de perçage correct

- Pour perçage dans béton ou pierre  
Utiliser les forets spécifiés à la partie "Accessoires à option".
- Pour perçage dans métal ou plastique  
Utiliser un foret de perçage ordinaire pour métal.
- Pour perçage dans bois  
Utiliser un foret de perçage ordinaire pour bois.  
Toutefois, pour percer des trous de 6,5 mm ou plus petits, utiliser un foret de perçage pour métal.

### 5. Montage et démontage des forets.

#### **Pour la mandrin porte-foret avec clé à mandrin** (Fig. 1)

- (1) Ouvrir les mâchoires du mandrin et insérer la mèche dans le mandrin.
- (2) Mettre la clavette à mandrin dans chacun des trois trous du mandrin, et la tourner dans le sens des aiguilles d'une montre (vue depuis l'avant). Serrer à fond.
- (3) Pour retirer la mèche, mettre la clavette à mandrin dans l'un des trous du mandrin et la tourner dans le sens inverse des aiguilles d'une montre.

#### **Mèche sans clavette** (Fig. 2)

- (1) Ouvrir les mâchoires du mandrin et insérer la mèche dans le mandrin.  
Pour ouvrir les mâchoires du mandrin, tenir la bague tout en tournant le manchon dans le sens inverse des aiguilles d'une montre (vu depuis l'avant).
- (2) Tenir fermement la bague et tourner le manchon dans le sens des aiguilles d'une montre. Serrer à fond.
- (3) Pour retirer la mèche, tenir fermement la bague et tourner le manchon dans le sens inverse des aiguilles d'une montre.
- (4) Lorsque le manchon ne se relâche plus, fixer la poignée latérale à la bague de retenue, tenir la poignée latérale fermement, puis tourner le manchon pour le desserrer manuellement (Fig. 3).

### 6. Vérification du sens de rotation (Fig. 4)

La mèche tourne dans le sens des aiguilles d'une montre (vue de l'arrière) quand on appuie sur le côté R du bouton-poussoir.

Appuyer sur le côté L du bouton-poussoir pour la faire tourner dans le sens inverse des aiguilles d'une montre.

(L) (gauche) et (R) (droite) sur le corps de l'outil.)

**ATTENTION**

Utilisez toujours la visseuse/perceuse à percussions dans le sens horaire de rotation, quand vous l'utilisez en tant que perceuse à rotation.

**7. Fixation de la poignée latérale (Fig. 5)**

Fixer la poignée latérale à la pièce de montage.

Tourner la griffe de la poignée latérale dans le sens des aiguilles d'une montre pour la serrer.

Régler la poignée sur une position correspondant au fonctionnement, puis serrer la griffe de la poignée latérale.

Pour attacher un témoin de profondeur sur la poignée latérale, introduire le témoin dans la rainure en U sur la poignée latérale, régler la position du témoin en fonction de la profondeur souhaitée pour le trou, et resserrer la saisie de la poignée latérale à fond. (Fig. 6)

**8. Commutation: fonctionnement en PERCUSSION/ fonctionnement en ROTATION (Fig. 7)**

Déplacer le levier de la position droite sur la position gauche pour pouvoir commuter facilement entre PERCUSSION (rotation et percussion) et ROTATION (rotation seulement), respectivement.

Pour percer des trous dans un matériau dur, par exemple du béton, de la pierre et des tuiles, déplacer le levier sur la position de droite (comme indiqué par le repère **T**). La mèche effectue alors une action combinée de percussion et de rotation.

Pour percer des trous dans du métal, du bois ou des matières plastiques, déplacer le levier sur la position de gauche (comme indiqué par le repère **L**). La mèche effectue une action de rotation seulement, et elle fonctionne alors comme une perceuse électrique ordinaire.

**ATTENTION**

○ Ne pas utiliser la perceuse à percussion en fonctionnement PERCUSSION si le matériau peut être percé par simple rotation. Ce fonctionnement réduirait d'une part l'efficacité de perçage et abîmerait aussi la pointe de perçage.

○ Le fait de faire fonctionner la perceuse percussion avec le levier sur une position intermédiaire risque de provoquer des dommages. Lors de la commutation, bien déplacer le levier à fond sur la position souhaitée.

**9. Fixation du crochet (accessoire en option) (Fig. 8)**

Pour pouvoir fixer le crochet (A), il faut démonter la section de la poignée qui recouvre le circuit électrique de l'outil. Pour garantir la sécurité et préserver la protection contre les chocs électriques, l'installation du crochet (A) sur la perceuse sera confiée EXCLUSIVEMENT à un SERVICE APRES-VENTE HITACHI AGREE.

**PRECAUTION:**

Lorsque l'outil est utilisé avec un crochet fixé dessus, faire attention aux points suivants:

○ Avant d'accrocher l'appareil principal à la ceinture, bien s'assurer que la perceuse est complètement arrêtée.

Si l'appareil est accroché à la ceinture, la fiche d'alimentation risque de se débrancher de la source d'alimentation.

○ Ne pas se promener avec l'outil électrique accroché à la ceinture.

○ Lors d'un travail en hauteur, il serait dangereux de laisser tomber l'outil accidentellement.

Si le crochet est déformé ou qu'il accroché en mauvaise position, il risque de glisser et l'outil de tomber.

Faire attention pour éviter tout danger.

○ Lors du perçage d'un trou, il arrive que l'outil soit violemment secoué, lorsque la pièce est percée par exemple. Faire attention de ne pas se blesser avec le crochet dans ce genre de situation.

**UTILISATION**

**1. Fonctionnement de l'interrupteur**

○ Quand on tire sur la gâchette, l'outil se met à tourner. Quand on relâche la gâchette, l'outil s'arrête.

○ Il est possible de régler la vitesse de rotation de la perceuse en faisant varier la pression sur la gâchette. La vitesse est lente quand on tire légèrement sur la gâchette, et elle augmente quand on tire davantage sur la gâchette.

○ La vitesse de rotation souhaitée peut être préréglée avec la molette de commande de la vitesse.

Tourner la molette de commande de la vitesse dans le sens des aiguilles d'une montre pour augmenter la vitesse et dans le sens contraire pour réduire la vitesse. (Fig. 9)

○ Si l'on tire sur la gâchette et qu'on appuie sur la butée, l'outil continue à tourner tout seul, ce qui est pratique pour un travail continu. Pour arrêter l'outil, déconnecter la butée en tirant à nouveau sur la gâchette.

**2. Utilisation en tant que perceuse ordinaire ou perceuse à percussions**

(1) Force d'appui

Vous ne pourrez pas percer les trous plus vite simplement en appliquant une force d'appui plus grande que nécessaire. Ceci non seulement endommagera la pointe de la mèche et diminuera l'efficacité de rendement, mais raccourcira aussi la durée de vie de la perceuse.

(2) Perçage de trous

Les mèches peuvent se casser lors du perçage du matériel. Il est important de diminuer la force de pression juste avant le perçage.

**ATTENTION**

Pour le fonctionnement continu, effectuez une marche à vide pendant 5 secondes après avoir terminé un travail de perçage.

(3) Utilisation d'une mèche épaisse

Dans ce cas votre bras sera soumis à une force de réaction plus grande. Faites attention de ne pas vous laisser entraîner par cette force. Pour ce faire, maintenez une bonne prise de pied, tenez l'outil fermement avec les deux mains et perpendiculairement par rapport au matériel de travail.

---

## ENTRETIEN ET CONTROLE

---

### 1. Inspection des mèches

L'utilisation d'une mèche usée par abrasion risquant de provoquer un mauvais fonctionnement du moteur et une diminution du rendement, remplacer la mèche par une neuve ou l'affûter sans tarder dès que l'on constate une abrasion.

### 2. Contrôle du foret de perçage et du taraud

Comme l'utilisation continue d'un foret ou taraud usé réduirait l'efficacité de fonctionnement et provoquerait un surchage du moteur, remplacer ou aiguiser le foret ou le taraud sans retard lorsque des traces d'usure excessive apparaissent.

### 3. Entretien du moteur

Le bobinage de l'ensemble moteur est le "cœur" même de l'outil électro-portatif. Veiller soigneusement à ce que ce bobinage ne soit pas endommagé et/ou mouillé par de l'huile ou de l'eau.

### 4. Inspection des balais en carbone

Pour assurer à tout moment la sécurité et la protection contre les chocs électrique, confier l'inspection et le remplacement des balais en carbone de l'outil EXCLUSIVEMENT à un centre de service après-vente agréé par HITACHI.

### 5. Liste des pièces de rechange

#### ATTENTION:

Les réparations, modifications et inspections des outils électriques Hitachi doivent être confiées à un service après-vente Hitachi agréé.

Il sera utile de présenter cette liste de pièces au service après-vente Hitachi agréé lorsqu'on apporte un outil nécessitant des réparations ou tout autre entretien.

Lors de l'utilisation et de l'entretien d'un outil électrique, respecter les règlements et les normes de sécurité en vigueur dans le pays en question.

#### MODIFICATIONS:

Les outils électriques Hitachi sont constamment améliorés et modifiés afin d'incorporer les tous derniers progrès technologiques.

En conséquence, il est possible que certaines pièces soient modifiées sans avis préalable.

---

#### NOTA

Par suite du programme permanent de recherche et de développement HITACHI, ces spécifications peuvent faire l'objet de modifications sans avis préalable.

---

---

#### Au sujet du bruit et des vibrations

Les valeurs mesurées ont été déterminées en fonction de la norme EN50144.

Le niveau de pression acoustique pondéré A type est de 99 dB (A).

Le niveau de puissance sonore pondérée A type est de 112 dB (A).

Porter un casque de protection.

Valeur d'accélération moyenne quadratique pondérée type: 10,5 m/s<sup>2</sup>.

---



## PRECAUZIONI GENERALI

### ATTENZIONE!

Quando si usano elettrotensili, bisogna sempre seguire le precauzioni basilari di sicurezza per ridurre il rischio di incendi, scosse elettriche e lesioni alle persone, tra cui quanto segue.

Leggere tutte queste istruzioni prima di usare questo prodotto e conservare le istruzioni.

Per un funzionamento sicuro:

- Mantenere sempre pulita l'area dove si lavora. Un'area di lavoro sempre pulita aiuta ad evitare incidenti.
- Tenere nella dovuta considerazione le condizioni dell'ambiente di lavoro. Non esporre gli elettrotensili alla pioggia. Non usare gli elettrotensili in luoghi molto umidi o bagnati. Mantenere ben illuminata l'area di lavoro. Non usare elettrotensili dove ci sia il rischio di causare incendi o esplosioni.
- Fare attenzione alle scosse elettriche. Evitare il contatto del corpo con superfici collegate a terra (p.es. tubi, caloriferi, fornelli, frigoriferi)
- Tenere lontani i bambini e gli infermi. Non permettere che persone estranee ai lavori tocchino gli elettrotensili o i cavi della corrente elettrica. Le persone non addette al lavoro non dovrebbero nemmeno avvicinarvisi.
- Riporre gli elettrotensili in un luogo adatto. Quando non utilizzati, gli elettrotensili vanno tenuti in un luogo asciutto, chiuso a chiave o in alto, al di fuori della portata di bambini.
- Non forzare mai gli elettrotensili. Qualsiasi lavoro viene eseguito meglio e più velocemente alla velocità per la quale l'elettrotensile è stato formulato.
- Scegliere sempre l'utensile elettrico adatto. Non forzare un piccolo elettrotensile o un accessorio a fare un lavoro di un utensile o accessorio più grande. Non usare gli elettrotensili per dei lavori per i quali non sono stati formulati (non usare, per esempio, una sega circolare per tagliare grossi tronchi).
- Vestirsi in modo adatto. Non portare abiti larghi o gioielli, che potrebbero impigliarsi nelle parti in movimento degli elettrotensili. Lavorando all'esterno, si raccomanda l'uso di guanti di gomma e di scarpe antiscivolo. Chi porta capelli lunghi dovrebbe utilizzare un'apposita cuffia protettiva.
- Usare occhiali protettivi. Eseguendo dei lavori di taglio che producono molta polvere, usare anche una mascherina antipolvere.
- Collegare apparecchiature di rimozione della polvere. Se sono forniti dispositivi per il collegamento di apparecchiature di rimozione e raccolta della polvere, assicurarsi che siano collegati e usati correttamente.
- Non maltrattare il cavo della corrente elettrica. Non trasportare gli elettrotensili prendendoli per il cavo della corrente e non scollegarli dalla presa in tal modo. Tenere il cavo della corrente lontano dal calore, olio ed oggetti taglienti.
- Lavorare su oggetti fermi. Fissare saldamente l'oggetto in una morsa. È più sicuro che non tenendolo fermo con le mani, che restano libere per maneggiare l'elettrotensile.
- Non squilibrare il corpo durante l'esecuzione di un lavoro. Stare sempre su due piedi, in equilibrio stabile.
- T trattare gli utensili elettrici con cura. Tenerli sempre puliti ed affilati per un funzionamento migliore e più sicuro. Seguire le istruzioni date per la lubrificazione e la sostituzione degli accessori. Controllare periodicamente le condizioni del cavo della corrente. Se dovesse essere rovinato, farlo sostituire presso un Centro Assistenza. Non usare cavi di prolungamento rovinati. Mantenere le impugnature sempre pulite, libere soprattutto da olio e grasso.
- Quando non si usa, prima di eseguire una qualsiasi operazione di manutenzione e prima di intraprendere qualsiasi sostituzione di accessori (lama, punte, ecc.), scollegare sempre l'elettrotensile.
- Togliere sempre le chiavi di regolazione dall'attrezzo. È buona abitudine controllare sistematicamente che nessuna chiave di regolazione sia più attaccata all'elettrotensile, prima di metterlo in funzione.
- Evitare che l'elettrotensile possa inavvertitamente essere messo in funzione. Non trasportare gli elettrotensili mantenendo il dito sull'interruttore, mentre sono collegati alla rete. Prima di collegarli, controllare che l'interruttore sia in posizione di spento.
- Fare uso di cavi di prolungamento per esterni. In questo caso, controllare che il cavo sia adatto per l'uso all'esterno.
- Stare sempre attenti. Guardare sempre nel punto in cui si esegue il lavoro. Non usare utensili elettrici se si è stanchi.
- Controllare qualsiasi parte che sembra danneggiata. Prima di riprendere l'uso degli elettrotensili, controllare attentamente che la parte apparentemente danneggiata possa ancora essere usata in modo da assolvere la sua funzione. Controllare che le parti mobili siano nella loro posizione corretta, che nessun pezzo sia rotto, che tutti i pezzi siano montati correttamente, e controllare altri punti importanti per il funzionamento dell'utensile elettrico. Qualsiasi pezzo danneggiato deve essere riparato o sostituito da un Centro Assistenza autorizzato, a meno che dettagliate istruzioni in proposito siano date nel presente manuale. Fare sostituire gli interruttori difettosi presso un Centro Assistenza autorizzato. Non usare l'elettrotensile se non può e acceso o spento per mezzo del suo interruttore.
- Attenzione  
L'uso di qualsiasi accessorio o attacco diverso da quelli citati nel presente manuale di istruzioni può presentare il rischio di lesioni alle persone.
- Far riparare l'elettrotensile da personale qualificato. Questo elettrotensile è in conformità con le relative norme di sicurezza. Le riparazioni devono essere eseguite solo da personale qualificato usando ricambi originali, altrimenti ne possono derivare considerevoli rischi per l'utilizzatore.

## PRECAUZIONI PER L'USO TRAPANO A PERCUSSIONE

- Prima di praticare fori nei muri, soffitti o pavimenti, assicurarsi che non ci siano, nascosti all'interno, cavi elettrici.
- Quando perforate cemento o altri materiali duri nel modo IMPATTO, premere il lato R del pulsante. (**Fig. 10**)

## CARATTERISTICHE

Voltaggio (per zona)*		(110V, 220V, 230V, 240V) ~
Potenza assorbita		590W*
Velocità senza cario		0-2900 min <sup>-1</sup>
Capacità mandrino trapano		13 mm
Capacità mandrino	Acciaio	13 mm
	Cemento	16 mm
	Legno	25 mm
Frequenza d'impatto a pieno carico		34500 min <sup>-1</sup>
Peso (senza il cavo)		1,5 kg

\*Accertatevi di aver controllato bene la piastrina perchè essa varia di zona a zona.

## ACCESSORI STANDARD

- (1) Chiave per mandrino (Spec. solo per mandrino dotato di chiave mandrino) ..... 1
  - (2) Impugnatura laterale ..... 1
  - (3) Calibro di profondità ..... 1
  - (4) Custodia in plastica ..... 1
- Gli accessori standard possono essere cambiati senza preavviso.

## ACCESSORI DISPONIBILI A RICHIESTA (venduti separatamente)

- (1) Punta trapano a impatto (per cemento)  
3,2 mm – 20 mm dia.
  - (2) Gancio (A)
- Gli accessori disponibili a richiesta possono essere cambiati senza preavviso.

## IMPIEGHI

- Azione combinata di ROTAZIONE e BATTITO:  
Per l'esecuzione di fori in superfici dure (cemento, marmo, granito, ecc.).
- Funzionamento solo a ROTAZIONE:  
Per l'esecuzione di fori nel metallo, legno e plastica.

## PRIMA DELL'USO

- 1. Alimentazione**  
Assicurarsi che la rete di alimentazione che si vuole usare sia compatibile con le caratteristiche relative all'alimentazione di corrente specificate nella piastrina dell'apparecchio.
- 2. Interruttore di corrente**  
Mettere l'interruttore in posizione OFF. Se la spina è infilata in una presa mentre l'interruttore è acceso, l'utensile elettrico si mette immediatamente in moto, facilitando il verificarsi di incidenti gravi.
- 3. Prolunga del cavo**  
Quando l'ambiente di lavoro è lontano da una presa di corrente, usare una prolunga del cavo di sufficiente spessore e di prestazione adeguata. La prolunga deve essere più corta possibile.

### 4. Scelta della punta appropriata

- Quando si fora cemento o pietra  
Usare la punta indicata negli accessori disponibili a richiesta.
- Quando si fora metallo o plastica  
Usare una punta normale di metallo.
- Quando si fora il legno  
Usare una punta normale da legno. Tuttavia, quando si fanno fori da 6,5 mm o inferiori, usare una punta da metallo.

### 5. Installazione e rimozione delle punte.

#### Per mandrino trapano con chiave mandrino (Fig. 1)

- (1) Aprire le ganasce del mandrino e inserire la punta nel mandrino.
- (2) Porre la chiave mandrino in ciascuno dei tre fori sul mandrino e girarla in senso orario (visto dal davanti). Serrare saldamente.
- (3) Per rimuovere la punta, porre la chiave mandrino in uno dei fori sul mandrino e girarla in senso antiorario.

#### Per mandrino senza bietta (Fig. 2)

- (1) Aprire le ganasce del mandrino e inserire la punta nel mandrino.  
Per aprire le ganasce del mandrino, trattenere l'anello mentre si gira il collare in senso antiorario (visto dal davanti).
- (2) Tenere saldamente l'anello e girare il collare in senso orario. Serrare saldamente.
- (3) Per rimuovere la punta, tenere saldamente l'anello e girare il collare in senso antiorario.
- (4) Quando il manicotto non si allenta ulteriormente, fissare la maniglia laterale all'anello di trattenimento, tenere saldamente la maniglia laterale e quindi girare il manicotto per allentarlo a mano (Fig. 3).

### 6. Controllo della direzione di rotazione (Fig. 4)

Il trapano ruota in senso orario (visto dal retro) quando si preme il lato R del pulsante. Premere il lato L del pulsante per far girare il trapano in senso antiorario. (I segni (L) e (R) sono marcati sul corpo.)

#### ATTENZIONE

Usando il trapano nel modo a impatto, inserire sempre la direzione di rotazione in senso orario.

## 7. Fissaggio dell'impugnatura laterale (Fig. 5)

Attaccare l'impugnatura laterale alla sezione di montaggio.

Ruotare il gancio dell'impugnatura laterale in senso orario per fissarla.

Regolare l'impugnatura laterale in una posizione che sia comoda per l'operazione e quindi stringerla fermamente il gancio. Per fissare un calibro di profondità all'impugnatura laterale, infilare il calibro nella scanalatura a forma di U sull'impugnatura laterale, regolare la posizione del calibro secondo la profondità desiderata per il foro e serrare saldamente la presa dell'impugnatura laterale. (Fig. 6)

## 8. Cambio da IMPATTO a ROTAZIONE (Fig. 7)

Spostare la leva del cambio tra le posizioni destra e sinistra per alternare facilmente rispettivamente tra IMPACT (rotazione e impatto) e ROTATION (solo rotazione).

Per trapanare fori in materiali duri come cemento, pietra e piastrelle, spostare la leva del cambio alla posizione destra (come indicato dal segno **T**). La punta del trapano agisce con una combinazione di impatto e rotazione.

Per trapanare fori in metallo, legno e plastica, spostare la leva del cambio sulla posizione di sinistra (come indicato dal segno **L**). La punta del trapano agisce solo in rotazione, come per un trapano elettrico normale.

### ATTENZIONE

- Non usare il trapano variabile battente e avvitatore nella posizione IMPACT se il materiale può essere forato dalla sola rotazione. Un tale fatto non solo diminuirà l'efficacia del trapano ma danneggerà anche la punta.
- Se si usa il trapano a percussione con la leva del cambio in posizione intermedia ne possono risultare danni. Quando si cambia posizione, assicurarsi di spostare la leva del cambio sulla posizione corretta.

## 9. Applicazione del gancio (accessorio opzionale) (Fig. 8)

Per applicare il gancio (A), è necessario smontare la parte maniglia che copre il sistema elettrico dell'utensile. Per mantenere la vostra sicurezza e la protezione da scosse elettriche, l'installazione del gancio (A), su questo trapano deve essere eseguita SOLO da un CENTRO ASSISTENZA AUTORIZZATO HITACHI.

### CAUTELA:

Quando si usa l'utensile elettrico con un gancio fissato ad esso, fare attenzione a quanto segue:

- Prima di agganciare l'unità principale alla cintura, assicurarsi che il trapano si sia fermato completamente. Mentre è appeso alla cintura, la spina del cavo di alimentazione deve essere scollegata dalla presa di corrente.
- Non camminare con l'utensile elettrico appeso alla cintura.
- Nel caso di impiego in luoghi alti, è pericolo se il trapano cade accidentalmente. Se il gancio è deformato o appeso in posizione errata, esiste il rischio che il gancio scivoli fuori e il trapano cada. Fare attenzione a evitare il pericolo.

- Quando si trapano un foro di trapassamento, a volte il trapano scuote violentemente quando il pezzo da lavorare viene trapassato, per esempio. Fare attenzione a non rimanere feriti dal gancio in tali situazioni.

## MODO DI IMPIEGO

### 1. Uso dell'interruttore

- Quando il grilletto è premuto, l'utensile ruota. Quando il grilletto viene rilasciato, l'utensile si ferma.
- La velocità di rotazione del trapano può essere controllata variando la pressione esercitata sul grilletto. La velocità è bassa quando il grilletto interruttore è premuto leggermente e aumenta quando si preme maggiormente.
- La velocità di rotazione desiderata può essere impostata con il comando di velocità. Girare il comando di velocità in senso orario per velocità maggiori o in senso antiorario per velocità inferiori. (Fig. 9)
- Se si preme il grilletto e si spinge il fermo, si può mantenere la condizione attivata, comodo per il funzionamento continuo. Per spegnere, il fermo può essere sbloccata premendo di nuovo il grilletto.

### 2. Uso del trapano normale o a impatto

- (1) Pressione esercitata sul trapano  
Esercitando sul trapano una forza maggiore del necessario non si aumenta per niente la velocità di perforazione. Così facendo, non solo si danneggia la punta e si ottiene un risultato meno accurato, ma si accorcia anche la durata dell'utensile.
- (2) Penetrazione nel materiale  
Nel momento in cui la punta penetra nel materiale, la stessa potrebbe anche rompersi, se non si fa particolarmente attenzione. È importante diminuire la pressione sul trapano un attimo prima che la punta penetri nel materiale.  
**ATTENZIONE**  
Nel modo a funzionamento continuo, lasciar giare il trapano o vuoto per circa 5 secondi, dopo aver completato l'esecuzione del foro.
- (3) Usando una punta grossa  
Usando una punta grossa, il braccio è soggetto ad una maggior forza di reazione. Attenzione a non lasciarsi spostare da questa forza di reazione. Quale misura di sicurezza, appoggiare il piede in modo ben saldo e tener ben saldo l'utensile con le due mani, perpendicolarmente al materiale da forare.

## MANUTENZIONE E CONTROLLI

### 1. Ispezione delle punte trapano

Poiché l'uso di punte trapano usurate causa problemi di funzionamento del motore e una minore efficienza, sostituire le punte trapano con altre nuove o riaffilarle subito quando si nota usura.

### 2. Controllo delle punte perforanti e dei maschi

Poiché l'uso continuativo di una punta perforante o di un maschio logorati può diminuire la capacità di funzionamento e provocare eventuali sovraccarichi al motore, sostituire o affilare la punta perforante od il maschio, senza indugio, quando si nota una eccessiva usura.

**3. Manutenzione del motore**

L'avvolgimento del motore è il vero e proprio "cuore" dell'utensili elettrici. Fare attenzione a non danneggiare l'avvolgimento e/o a non bagnarlo con olio o acqua.

**4. Ispezione delle spazzole di carbone**

Per Per mantenere la vostra sicurezza e la protezione da scosse elettriche, l'ispezione delle spazzole di carbone e la loro sostituzione su questo utensile deve essere eseguita SOLO da un CENTRO ASSISTENZA AUTORIZZATO HITACHI.

**5. Lista dei pezzi di ricambio****CAUTELA:**

Riparazioni, modifiche e ispezioni di utensili elettrici Hitachi devono essere eseguite da un centro assistenza Hitachi autorizzato.

Questa lista dei pezzi torna utile se viene presentata con l'utensile al centro assistenza Hitachi autorizzato quando si richiedono riparazioni o altri interventi di manutenzione.

Nell'uso e nella manutenzione degli utensili elettrici devono essere osservate le normative di sicurezza e i criteri prescritti in ciascun paese.

**MODIFICHE:**

Gli utensili elettrici Hitachi vengono continuamente migliorati e modificati per includere le più recenti innovazioni tecnologiche.

Di conseguenza, alcuni pezzi possono essere modificati senza preavviso.

---

**NOTA**

A causa del continuo programma di ricerca e sviluppo della HITACHI, le caratteristiche riportate in questo foglio sono soggette a cambiamenti senza preventiva comunicazione.

---

---

**Informazioni riguardanti i rumori trasmessi dall'aria e le vibrazioni**

I valori misurati sono stati determinati in conformità a EN50144.

Il livello di pressione sonora pesato A tipico è di 99 dB (A).

Il livello di potenza sonora pesato A tipico è di 112 dB (A).

Indossare protezioni per le orecchie.

Il valore efficace pesato tipico dell'accelerazione è di 10,5 m/s<sup>2</sup>.

---

---

---

## ALGEMENE VOORZORGMAATREGELEN

---

**WAARSCHUWING!** Bij gebruik van elektrisch gereedschap moet u altijd de normale basisvoorzorgen voor de veiligheid in acht nemen om de kans op brand, elektrische schokken en letsel te verminderen. Let tevens op de volgende punten.

Lees al de aanwijzingen door alvorens het gereedschap in gebruik te nemen. Bewaar deze aanwijzingen.

Voor een veilige werking:

1. Houd de plaats waar gewerkt wordt schoon. Niet opgeruimde werkplaatsen en werkbanken verhogen het gevaar van ongelukken.
2. Kies een geschikte omgeving om te werken. Stel elektrisch gereedschap niet aan regen bloot. Gebruik elektrisch gereedschap niet op vochtige of natte plaatsen.  
Zorg dat de werkplaats goed verlicht is.  
Gebruik elektrisch gereedschap niet op plaatsen waar brand- of explosiegevaar is.
3. Vermijd een elektrische schok. Let er daarom op dat er geen contact is met geaarde oppervlakken zoals pijpen, radiators, keukenfornuis of ijskast.
4. Houd kinderen en onbevoegden uit de buurt. Laat bezoekers het gereedschap of snoer niet aanraken. Alle bezoekers moeten een veilige afstand tot de werkplaats aanhouden.
5. Ruim overbodig gereedschap op. Gereedschap dat niet gebruikt wordt moet op een droge, hooggelegen of af te sluiten plaats buiten bereik van kinderen en onbevoegden opgeborgen worden.
6. Forceer het gereedschap niet. Het levert een betere en veiligere prestatie op de snelheid waarvoor zij werd ontworpen.
7. Gebruik het juiste gereedschap. Gebruik een klein gereedschap of hulpstuk niet voor werkzaamheden waarvoor een apparaat met groot vermogen vereist is. Gebruik het gereedschap niet voor doeleinden waarvoor dit niet bestemd is (bijvoorbeeld gebruik van de cirkelzaag voor het zagen van bomen).
8. Draag de juiste kleding. Draag geen loszittende kleren of armbanden e.d. daar deze in de bewegende delen verstrikt kunnen raken. Bij het werken buitenshuis wordt het gebruik van rubber handschoenen en stevige, niet glijdende schoenen aanbevolen. Draag een haarnetje wanneer u lang haar hebt.
9. Draag een veiligheidsbril. Ontstaat er veel stof tijdens het werken, draag dan eveneens een gezichtsbeschermer en/of stofmasker.
10. Sluit apparatuur voor het verzamelen van stof aan. Indien apparatuur voor het verzamelen van stof is bijgeleverd, moet u deze apparatuur op de vereiste wijze verbinden en gebruiken zoals wordt beschreven.
11. Behandel het snoer voorzichtig. Draag het gereedschap nooit door dit bij het snoer vast te houden. Bescherm het snoer tegen hitte, olie en scherpe hoeken.
12. Neem de uiterste veiligheid in acht. Gebruik klemmen of een bankschroef om het werkstuk vast te zetten. Hierdoor heeft u uw handen vrij om het gereedschap te bedienen.
13. Buig u nooit te ver naar voren. Kies een goede plaats en behoud altijd uw evenwicht.

14. Behandel het gereedschap voorzichtig. Zorg ervoor dat het gereedschap scherp en schoon is zodat een goed en veilig prestatievermogen wordt verkregen. Volg de gebruiksaanwijzing voor het smeren en het verwisselen van toebehoren.

Inspecteer de snoeren regelmatig op beschadiging en laat deze zonodig door een erkend servicecenter repareren. Controleer de verlengsnoeren ook regelmatig en vervang deze bij beschadiging. Houd alle handgrepen droog en schoon en vrij van olie en vet.

15. Trek de stekker uit het stopcontact als het gereedschap niet wordt gebruikt en ook bij onderhoudsbeurten, het verwisselen van toebehoren zoals bladen, boren, messen e.d.
16. Verwijder sleutels en moersleutels. Maak er een gewoonte van voor het inschakelen te controleren of alle sleutels en moersleutels verwijderd zijn.
17. Schakel het gereedschap niet onverwacht in. Draag geen aangesloten gereedschap met de vinger op de schakelaar. Controleer altijd of het gereedschap uitgeschakeld staat alvorens dit aan te sluiten.
18. Bij het werken buitenshuis dient een verlengsnoer te worden gebruikt. Gebruik dan alleen verlengsnoeren die geschikt zijn voor het werken buitenshuis en desbetreffend gemerkt zijn.
19. Let altijd goed op tijdens het werken. Kijk uit wat u doet en gebruik het gereedschap niet als u moe bent.
20. Bij beschadiging van een van de onderdelen dient dit nauwkeurig te worden nagekeken en gerepareerd alvorens het gereedschap opnieuw in gebruik wordt genomen. Let erop dat het betreffende onderdeel zijn functie goed vervult. Controleer of de bewegende delen goed zijn gemonteerd en vrij kunnen bewegen. Dit om een foutief functioneren van het gereedschap te voorkomen. Bij de beschadiging van een onderdeel dient de reparatie altijd te worden overgelaten aan een erkend service-center, tenzij in deze gebruiksaanwijzing anders wordt voorgeschreven. Laat ook defekte schakelaars vervangen door een erkend service-center. Gebruik het gereedschap niet als de aan/uitschakelaar niet werkt.
21. **Waarschuwing**  
Het gebruik van toebehoren of verlengstukken waarvan het gebruik niet in deze gebruiksaanwijzing is aangegeven, veroorzaakt mogelijk letsel.
22. Laat het elektrisch gereedschap door een vakman repareren.  
Dit elektrisch gereedschap voldoet aan de vereiste eisen voor de veiligheid. Voorkom mogelijk zeer ernstige ongelukken en laat derhalve reparatie over aan een erkend vakman die de originele reserveonderdelen gebruikt.

---

## VOORZORGMAATREGELEN BATREFFEN DE HET GEBRUIK VAN DE KLOPBOORMACHINE

---

1. Voordat men in een muur, vloer of plafond boort, moet men zich er eerst van overtuigd hebben, dat zich daaronder geen elektrische kabels bevinden.
2. Bij het boren in beton of gelijksoortige harde materialen met het apparaat in de "IMPACT" stand, dient u op de R-kant van de drukknop te duwen. **(Afb. 10)**

## TECHNISCHE GEGEVENS

Voltage (verschillende van gebied tot gebied)*		(110V, 220V, 230V, 240V) ∩
Opgenomen vermogen		590W*
Toerental onbelast		0–2900 min <sup>-1</sup>
Grootste boordiameter		13 mm
Capaciteit	Staal	13 mm
	Beton	16 mm
	Hout	25 mm
Aantal slagen belast		34500 min <sup>-1</sup>
Gewicht (zonder kabel)		1,5 kg

\*Kontroleer het naamplaatje op het apparaat, daar het apparaat afhankelijk van het gebied waar het verkocht wordt gewijzigd kan worden.

## STANDARD TOEBEHOREN

- (1) Boorhoudersleutel (Specificatie voor uitsluitend boorkop voorzien van boorkopsleutel) ..... 1
  - (2) Handgreep ..... 1
  - (3) Dieptemeter ..... 1
  - (4) Plastic doos ..... 1
- De standaard toebehoren kunnen zonder aankondiging op ieder moment worden veranderd.

## EXTRA TOEBEHOREN (los te verkrijgen)

- (1) Impact boorstuk (voor beton)  
3,2 mm – 20 mm diameter
  - (2) Haak (A)
- De extra toebehoren kunnen zonder aankondiging op ieder moment worden veranderd.

## TOEPASSINGSGBIEDEN

- Bij gekombineerde actie van DRAAIEN en SLAG:  
Boren van gaten in harde oppervlakten (beton, marmer, graniet, tegels enz.)
- Bij ROTERENDE actie:  
Boren van gaten in metaal, hout en plastic.

## VOOR BEGIN VAN HET WERK

- 1. Netspanning**  
Controleren of de netspanning overeenkomt met de opgave op het naamplaatje.
- 2. Netschakelaar**  
Controleren of the entschakelaar op "UIT" staat. Wanneer de stekker op het net aangesloten is, terwijl de schakelaar op "AAN" staat, begint het gereedschap onmiddellijk te draaien, hetwelk ernstig gevaar betekent.
- 3. Verlengsnoer**  
Wanneer het werkterrein niet in de buurt van een stopcontact ligt, dan moet men gebruik maken van een verlengsnoer, dat voldoende dwarsprofiel en voldoende nominaal vermogen heeft. Het verlengsnoer moet zo kort mogelijk gehouden worden.

### 4. De keuze van de juiste boor

- Bij boren in beton of steen  
Gebruik maken van de boren, die genoemd werden bij de extra toebehoren.
- Bij boren in metaal of kunststof  
Gebruik maken van een normale metaalboor.
- Bij boren in hout  
Gebruik maken van een normale houtboor. Voor gaten van 6,5 mm of kleiner maakt men gebruik van een metaalboor.

### 5. Monteren en verwijderen van de boren

#### Voor boorkop met boorkopsleutel (Afb. 1)

- (1) Open de klemmen in de boorkop en steek de boor naar binnen.
- (2) Doe de boorkopsleutel beurtelings in elk van de drie gaten in de boorkop en draai de sleutel met de klok mee (van voren gezien). Zet de boor goed vast.
- (3) Om de boor te verwijderen dient u de boorkopsleutel in een van de gaten in de boorkop te doen en vervolgens tegen de klok in te draaien.

#### Voor een sleutellose boorkop (Afb. 2)

- (1) Open de klemmen in de boorkop en steek de boor naar binnen. Om de klemmen te openen, dient u de ring vast te houden terwijl u de klembus tegen de klok in draait (van voren gezien).
- (2) Houd de ring stevig vast en draai de klembus met de klok mee. Zet goed vast.
- (3) Om de boor te verwijderen, dient u de ring stevig vast te houden en de klembus tegen de klok in te draaien.
- (4) Wanneer de huls niet verder los komt, moet u de zijhendel aan de borgring bevestigen, de zijhendel stevig vasthouden en dan de huls met de hand losdraaien. (Afb. 3)

### 6. Controleer de draairichting (Afb. 4)

De boor draait met de klok mee (van achteren gezien) wanneer u op de R-kant van de drukknop drukt. De L-kant van de drukknop dient u in te drukken als u de boor tegen de klok in wilt laten draaien.  
(Op de behuizing bevinden zich de (L) en (R) merktekens.)

#### VOORZICHTIG

Gebruik de slag-schroefboor altijd met de draairichting naar rechts wanneer deze gebruikt wordt als slagboor.

**7. Het aanbrengen van de handgreep (Afb. 5)**

Monteer de handgreep op het daarvoor bestemde bevestigingspunt.

Draai de handgreep nu rechtsom om deze vast te zetten.

Zet de handgreep in de gewenste positie voor het soort werk dat u wilt uitvoeren, en draai de handgreep vervolgens stevig vast. Voor het aanbrengen van een diepteaanslag aan de zijhendel, kunt u deze in de U-vormige groef van de zijhendel doen, stel vervolgens de gewenste diepte van het gat in en draai tenslotte de greep van de zijhendel stevig aan. (Afb. 6)

**8. Het omschakelen van SLAGBOORROTATIE naar normale BOORROTATIE (Afb. 7)**

Zet de hendel in de rechter of linker stand om te kiezen tussen respectievelijk IMPACT (boren en kloppen) en ROTATION (alleen boren).

Om gaten in harde materialen zoals beton, steen of tegels te boren, dient u de hendel in de rechter stand (zoals aangegeven door het **T** teken) te zetten. De boor zal nu tegelijk kloppen en boren.

Om gaten in metaal, hout en plastic te boren, dient u de hendel in de linker stand (zoals aangegeven door het **I** teken) te zetten. De boor zal nu alleen boren zoals met een gewone elektrische boormachine.

**VOORZICHTIG**

- De slagboor niet gebruiken met SLAGBOORROTATIE, wanneer het materiaal met de normale boorrotatie geboord kan worden. Men vermindert daardoor niet alleen het vermogen van de boor, de boorpunt kan tevens beschadigd worden.
- Gebruik van de klopboormachine met de hendel in het midden kan leiden tot schade. Zorg ervoor dat u de hendel helemaal in de gewenste stand zet.

**9. Bevestigen van de haak (los verkrijgbaar accessoire) (Afb. 8)**

Om de haak (A) te kunnen bevestigen dient u eerst de behuizing van de handgreep, die de elektrische onderdelen in het binnenwerk van de boormachine afdekt te demonteren. Met het oog op uw veiligheid en om elektrische schokken te voorkomen, mag de haak (A) op deze machine ALLEEN bevestigd worden door een ERKEND HITACHI SERVICE-CENTRUM.

**LET OP:**

Wanneer dit elektrisch gereedschap wordt gebruikt met de haak, dient u de volgende punten in acht te nemen:

- Voor u de machine aan uw riem hangt moet u controleren of de boormachine volledig gestopt is. Haal de stekker uit het stopcontact wanneer u de machine aan uw riem hangt.
- Ga niet rondlopen met het elektrisch gereedschap aan uw riem.
- Wanneer u op een verhoging werkt, bestaat het gevaar voor vallende gereedschappen enzovoort. Als de haak verbogen is of verkeerd wordt gebruikt, bestaat het gevaar dat de haak los glipt en het gereedschap naar beneden valt. Wees altijd op uw hoede om dit soort risico's te voorkomen.
- Wanneer u dwars door iets heen boort kan het elektrisch gereedschap soms flink schudden. Wees in een dergelijk voorzichtig dat de haak u niet verwondt.

**GBRUIK****1. Bediening van de schakelaar**

- Wanneer u de trekker indrukt, gaat het gereedschap draaien.

Wanneer u de trekker loslaat, stopt het gereedschap.

- Het toerental van de boormachine regelt u door de trekker meer of minder in te drukken. Het toerental is laag als u de trekker minder indrukt, en neemt toe naarmate u de trekker verder indrukt.

- U kunt van tevoren het gewenste toerental instellen met de toerentalregeling. Draai de toerentalregeling met de klok mee voor een hoger toerental, of tegen de klok in voor een lager toerental. (Afb. 9)

- Als u de trekker indrukt en vervolgens de vergrendeling gebruikt, zal de boormachine met het ingestelde toerental blijven draaien. Druk de trekker nog eens een beetje in om de vergrendeling op te heffen en de boormachine uit te kunnen schakelen.

**2. Gebruik als boor of slagboor****(1) Drukkraft van de boor**

Gaten worden niet sneller geboord door veel kracht uit te oefenen tijdens het boren. Overmatige druk zou bovendien tot schade aan de boorpunt kunnen leiden, en het vermindert de efficiëntie van het boren. De levensduur van de boor kan bovendien verkort worden.

**(2) Doorboren van oppervlakken**

Boorpunten kunnen breken als het te boren materiaal doorboord wordt. Verminder de druk op de boor voordat het materiaal doorboord gaat worden.

**VOORZICHTIG**

Als de boor doorlopend en langere tijd gebruikt wordt dient deze ongeveer 5 seconden zonder belasting te draaien na de werkzaamheden.

**(3) Bij gebruik van een dikke boor**

Uw arm staat bloot aan zware schokken wanneer een dikke boor gebruikt wordt. Zorg ervoor, dat het toestel niet uit uw hand schiet wanneer een dergelijke boor gebruikt wordt. Zorg ervoor op een stevige ondergrond te staan, en houd de boor met beide handen goed vast en zet de boor recht op het te boren materiaal.

**ONDERHOUD EN INSPECTIE****1. Inspecteren van de boren**

Omdat gebruik van versleten boren tot motorstoringen en verminderde doelmatigheid kan leiden, dient u versleten boren te vervangen door nieuwe, of te slijpen zodra u merkt dat ze bot geworden zijn.

**2. Inspectie van de boor en schroefdraadsnijder**

Aangezien het verder gebruiken van een versleten boor of schroefdraadsnijder het bedrijfsvermogen vermindert en eventueel een overbelasting van de motor kan veroorzaken, moet de boor of schroefdraadsnijder meteen vervangen of geslepen worden, wanneer een bovenmatige slijtage worden, wanneer een bovenmatige slijtage wordt vastgesteld.

**3. Onderhoud van de motor**

De motorwikkeling is het "hart" van het elektrische gereedschap. Er moet daarom bijzonder zorgvuldig op gelet worden, dat de wikkeling niet beschadigd en/of met olie of water bevochtigd wordt.

#### 4. Inspecteren van de koolborstels

Met het oog op uw veiligheid en om elektrische schokken te voorkomen, mag inspectie en vervanging van de koolborstels ALLEEN uitgevoerd worden door een ERKEND HITACHI SERVICE-CENTRUM.

#### 5. Lijst vervangingsonderdelen

##### LET OP:

Reparatie, modificatie en inspectie van Hitachi elektrisch gereedschap dient te worden uitgevoerd door een erkend Hitachi Service-centrum.

Deze Onderdelenlijst komt van pas wanneer u deze samen met het gereedschap aanbiedt bij het erkende Hitachi Service-centrum wanneer u om reparatie of ander onderhoud verzoekt.

Bij gebruik en onderhoud van elektrisch gereedschap dienen de in het land waar u zich bevindt geldende veiligheidsregelgeving en veiligheidsstandaarden strikt te worden opgevolgd.

##### MODIFICATIES:

Hitachi elektrisch gereedschap wordt voortdurend verbeterd en gewijzigd teneinde gebruik te kunnen maken van de nieuwste technische ontwikkelingen.

Daarom is mogelijk dat sommige onderdelen zonder voorafgaande kennisgeving gewijzigd worden.

---

#### AANTEKENING

Op grond van het voortdurende research- en ontwikkelingsprogramma van HITACHI zijn veranderingen van de hierin genoemde technische opgaven voorbehouden.

---

---

#### Informatie betreffende luchtgeluid en trillingen

De gemeten waarden zijn verkregen overeenkomstig EN50144.

Het doorsnee A-gewogen geluiddrukknivo is 99 dB (A).

Het standaard A-gewogen geluiddrukknivo: 112 dB (A).

Draag gehoorbescherming.

Typische gewogen effectieve versnellingswaarde: 10,5 m/s<sup>2</sup>.

---



## PRECAUCIONES GENERALES PARA OPERACIÓN

**¡ADVERTENCIA!** Cuando utilice herramientas eléctricas, tome las medidas de seguridad básicas para reducir el riesgo de incendios, descargas eléctricas, y lesiones, incluyendo lo siguiente. Lea todas estas instrucciones antes de utilizar este producto y guárdelas. Para realizar operaciones seguras:

- Mantener el área de trabajo limpia, áreas y bancos de trabajo desordenados son causa de daños personales.
- Considerar el medio ambiente del área de trabajo. No exponer las herramientas eléctricas a la lluvia. No usar herramientas eléctricas en lugares mojados o húmedos. Mantener el área de trabajo bien iluminada. No utilice herramientas eléctricas cuando exista el riesgo de incendios o de explosión.
- Protegerse contra descargas eléctricas. Evitar el contacto del cuerpo con las superficies puestas a tierra. (p. ej., tubos, radiadores, hornos de microondas, o refrigeradores.)
- Mantener a los niños y a las personas débiles alejados. No dejar que los visitantes toquen las herramientas ni los cables de extensión. Todos los visitantes deberán mantenerse alejados del área de trabajo.
- Guardar las herramientas que no se usen y ponerlos en lugares secos, altos o cerrados, fuera del alcance de los niños y a las personas débiles.
- No forzar las herramientas, éstas trabajarán más y con mayor seguridad cuando cumplan con las especificaciones para las cuales fueron diseñadas.
- Usar las herramientas apropiadas. No forzar pequeñas herramientas o accesorios a realizar el trabajo de herramientas de mayor potencia. No utilizar herramientas para otros propósitos para los cuales no fueron diseñadas, por ejemplo, no utilizar sierras circulares para cortar ramas de árboles o troncos.
- Vestir apropiadamente. No ponerse ropas que queden flojas ni tampoco joyas. Estas podrían quedar atrapadas en las partes móviles de las herramientas. Cuando se trabaje en exteriores, se recomienda el uso de guantes de goma y calzado que no resbale. Utilice elementos de protección para sujetar el cabello largo.
- Usar gafas de protección. Usar también mascarillas contra el polvo si las condiciones de corte fuesen polvorizadas.
- Conecte un equipo colector de polvo. Si existen dispositivos para la conexión de equipos de extracción y recolección de polvo, cerciórese de que éstos estén conectados adecuadamente, y de utilizarlos en la forma correcta.
- Cuidar del cable. Nunca lleve las herramientas colgando del cable, tampoco tire del cable para efectuar la desconexión de las herramientas. Mantener el cable alejado del calor, aceite y bordes agudos.
- Asegurar la pieza de trabajo usando para ello abrazaderas o un tornillo. Esto es más seguro que usar las manos, además, ambas manos quedan libres para operar la herramienta.
- No extenderse excesivamente para efectuar un trabajo. Mantener en todo momento un buen balance y base de apoyo.
- Mantener cuidadosamente las herramientas. Tener las siempre limpias y afiladas para obtener un mejor

rendimiento y un funcionamiento más seguro. Seguir siempre las instrucciones para la lubricación y el cambio de accesorios. Inspeccionar periódicamente los cables de las herramientas y si estuviesen dañados, hacer que los reparen técnicos ó expertos. Inspeccionar periódicamente los cables de extensión y cambiarlos si estuviesen dañados. Mantener los mangos secos, limpios, y libres de aceite y grasa.

- Desconectar las herramientas cuando no se usen, antes de repararlas, y cuando se cambien accesorios como por ejemplo, cuchillas, brocas, cortadores, etc.
- Quitar las cuñas y las llaves de tuercas. Acostumbrarse a comprobar si se han quitado las cuñas y las llaves de tuercas antes de poner las herramientas en funcionamiento.
- Evitar puestas en funcionamiento sin fin alguno. No llevar las herramientas con los dedos en los interruptores mientras que éstas están conectadas. Cuando se conecten las herramientas, cerciorarse de que los interruptores estén en la posición de desconectados.
- Para usos en exteriores usar cables de extensión. Cuando las herramientas vayan a ser usadas en exteriores, usar solamente cables de extensión diseñados para tal propósito.
- Estar siempre alerta y poner atención a lo que se está haciendo, usar el sentido común y no operar con la herramienta cuando se esté cansado.
- Comprobar las piezas dañadas. Antes de seguir con el funcionamiento de las herramientas, las piezas que estén dañadas deberán comprobarse cuidadosamente para determinar si pueden funcionar apropiadamente y cumplir con la función para las que fueron diseñadas. Comprobar el alineamiento y agarrotamiento de piezas móviles, rotura de piezas, montura, y cualquier otra anomalía que pudiese afectar al rendimiento de la herramienta. Cualquier pieza que estuviese dañada deberá repararse apropiadamente o cambiarse en un centro de reparaciones autorizado, al menos que se indique, lo contrario en este manual de instrucciones. Procurar que los interruptores defectuosos los cambie un centro de reparaciones autorizado. No usar las herramientas si sus interruptores no funcionan apropiadamente.
- Advertencia La utilización de cualquier accesorio o aditivo no recomendado en este manual de instrucciones puede conducir al riesgo de lesiones.
- En caso de avería, haga que su herramienta sea reparada por un técnico cualificado. Esta herramienta eléctrica está de acuerdo con los requisitos de seguridad pertinentes. Las reparaciones solamente deberán realizarlas técnicos cualificados utilizando piezas de repuesto originales. De lo contrario, el usuario podría lesionarse.

## PRECAUCIONES AL USAR EL TALADRO DE IMPACTO

- Antes de taladrar en paredes, techos o suelos asegurarse de que no haya empotrados dentro cables eléctricos.
- Para taladrar hormigón u otros materiales rígidos similares en el modo de impacto (IMPACT), apriete el lado derecho (R) del botón pulsador. (Fig. 10)

## ESPECIFICACIONES

Voltaje (por áreas)*		(110V, 220V, 230V, 240V) ~
Acometida		590W*
Velocidad de marcha en vacío		0–2900 min <sup>-1</sup>
Capacidad del portabrocas		13 mm
Capacidad	Acero	13 mm
	Hormigón	16 mm
	Madera	25 mm
Velocidad de percusión a plena carga		34500 min <sup>-1</sup>
Peso (sin cable)		1,5 kg

\*Verificar indefectiblemente los datos de la placa de características de la máquina, pues varían de acuerdo al país de destino.

## ACCESORIOS ESTANDAR

- (1) Velvedor de mandril (Especificaciones para el portabrocas con llave solamente) ..... 1
  - (2) Asidero lateral ..... 1
  - (3) Calibrador de profundidad ..... 1
  - (4) Caja de plástico ..... 1
- Accesorios estándar están sujetos a cambio sin previo aviso.

## ACCESORIOS FACULTATIVOS

(de venta por separado)

- (1) Broca para taladradora de impacto (para hormigón) 3,2 – 20 mm de diámetro
  - (2) Gancho (A)
- Accesorios facultativos están sujetos a cambio sin previo aviso.

## APLICACIONES

- Acciones combinadas de ROTACION e IMPACTO: Perforación de orificios en superficies duras (concreto, mármol, granito, roca, etc.)
- Acción de ROTACION: Por acción de orificios en metal, madera y plástico.

## ANTES DE LA PUESTA EN MARCHA

### 1. Alimentación

Asegurarse de que la acometida de red que ha de ser utilizada es conforme a las exigencias de corriente especificadas en la placa de características del producto.

### 2. Conmutador de alimentación

Asegurarse de que el conmutador de acometida está en posición OFF (desconectado). Si el enchufe está conectado a la caja del enchufe mientras el conmutador de acometida está en posición ON (conectado) la herramienta eléctrica empezará a trabajar inmediatamente, provocando un serio accidente.

### 3. Cable de prolongación

Cuando está alejada el área de trabajo de la red de acometida, usar un cable de prolongación de un grosor suficiente y potencia nominal. El cable de prolongación debe ser mantenido o más corto posible.

### 4. Seleccionar la broca de taladro apropiada

- Caso de perforar hormigón o piedra  
Usar las brocas de taladro especificadas en los accesorios facultativos.
- Perforando metal o plástico  
Usar una broca de taladro ordinaria para trabajos en metal.
- Perforando madera  
Usar una broca de taladro ordinaria para trabajos en madera. En cualquier caso, perforando orificios de 6,5 mm, o menos, usar una broca de taladro para trabajos en metal.

### 5. Montaje y desmontaje de las brocas

**Para portabrocas con llave para el mismo** (Fig. 1)

- (1) Abra las mordazas del portabrocas e inserte la broca en el portabrocas.
- (2) Coloque la llave del portabrocas en cada uno de los tres orificios del portabrocas, y gírela en el sentido de las agujas del reloj (visto desde el lado delantero). Apriete firmemente.
- (3) Para sacar la broca, coloque la llave del portabrocas en uno de los orificios del portabrocas y gírela en el sentido contrario a las agujas del reloj.

**Para portabrocas sin llave** (Fig. 2)

- (1) Abra las mordazas del portabrocas e inserte la broca en el portabrocas.  
Para abrir las mordazas del portabrocas, sujete el anillo mientras gira el manguito en el sentido contrario a las agujas del reloj (visto desde el lado delantero).
- (2) Sujete el anillo firmemente y gire el manguito en el sentido de las agujas del reloj. Apriete firmemente.
- (3) Para sacar la broca, sujete el anillo firmemente y gire el manguito en el sentido contrario a las agujas del reloj.
- (4) Cuando el manguito no se afloje más, fije el asa lateral en el anillo de retención, sujete firmemente el asa, y después gire el manguito para aflojarlo manualmente (Fig. 3).

**6. Verifique la dirección de rotación (Fig. 4).**

La broca gira en el sentido de las agujas del reloj (visto desde el lado trasero) empujando el lado R del botón.

Si empuja el lado L del botón, la broca girará en sentido contrario a las agujas del reloj.

(Las marcas (L) y (R) están provistas en el cuerpo).

**PRECAUCION**

Usar siempre el taladro-destornillador de impacto con rotación a derecha, cuando se lo emplea como taladro de impacto.

**7. Montar el asidero lateral (Fig. 5)**

Instale el asidero lateral en la parte de montaje.

Gire la empuñadura del asidero lateral hacia la derecha para asegurarla.

Coloque el asidero lateral en la posición adecuada para la operación, y después apriete firmemente la empuñadura del mismo. Para aplicar el calibrador de profundidad en el asidero lateral, insertar el calibrador en el hueco en forma de U en el asidero lateral, ajustar la posición del calibrador de profundidad de acuerdo con la profundidad de orificio deseada y apretar firmemente la empuñadura del asidero lateral. (Fig. 6)

**8. Alteración de IMPACTO a ROTACION (Fig. 7)**

Mover la palanca de cambio entre las posiciones derecha e izquierda para conmutar fácilmente entre IMPACTO (rotación e impacto) y ROTACION (sólo rotación) respectivamente.

Para perforar orificios en materiales duros como hormigón, piedra y baldosas, mover la palanca de cambio hasta la posición de la derecha (como indica la marca **T**). La broca de taladro funcionará combinando las acciones de impacto y de rotación.

Para perforar orificios en metal, madera y plástico, mover la palanca de cambio hasta la posición de la izquierda (como indica la marca **I**). La broca de taladro funcionará sólo en sentido rotatorio, como un taladro eléctrico convencional.

**PRECAUCION**

○ No usar el taladro impulsor en la función IMPACTO si el material puede ser perforado en sólo rotación. Una acción de tal manera no sólo reduciría la eficiencia de taladro, sino que dañaría también la punta del taladrador.

○ Si utiliza el taladro de percusión con la palanca de cambio en la posición central, podrían producirse daños. Al conmutar, asegúrese de que mueve la palanca de cambio a la posición correcta.

**9. Fijación del gancho. (Accesorio opcional) (Fig. 8)**

Para fijar el gancho (A), es necesario desarmar la parte del asa que cubre el sistema eléctrico de la herramienta. Para poder utilizar la herramienta en condiciones de seguridad y evitar las descargas eléctricas, la instalación del gancho (A) de este taladro debe ser realizado SÓLO por un CENTRO DE SERVICIO AUTORIZADO HITACHI.

**PRECAUCIÓN:**

Cuando utilice la herramienta eléctrica con un gancho fijado, preste atención a los puntos siguientes:

- Antes de colgar la unidad del cinturón, cerciórese de que el taladro esté completamente parado. Cuando tenga el taladro colgado del cinturón, el enchufe de alimentación deberá estar desconectado de la fuente de alimentación.

- No camine con la herramienta eléctrica colgada del cinturón.
- Cuando trabaje en un lugar elevado, será peligroso el dejar caer accidentalmente la herramienta. Si el gancho está deformado o en posición errónea, existe el peligro de que se deslice y que se caiga la herramienta. Tenga cuidado para evitar peligros.
- Cuando taladre orificios, es posible que la herramienta sufra sacudidas violentas cuando, por ejemplo, se parta la pieza de trabajo. Tenga cuidado de no herirse con el gancho en caso de ocurrir esta situación.

**COMO SE USA****1. Operación del interruptor**

- La herramienta gira al presionar el interruptor de gatillo. Al soltar el gatillo, la herramienta se detiene.
- La velocidad de rotación del taladro puede controlarse variando la fuerza de apriete del interruptor de gatillo. Apretando ligeramente el interruptor de gatillo la velocidad es lenta, pero aumenta mientras más se lo aprieta.
- Es posible seleccionar previamente la velocidad de rotación deseada con el dial de control de velocidad. Gire el dial de control de velocidad en el sentido a las agujas del reloj para aumentar la velocidad, y en sentido contrario para disminuirla. (Fig. 9).
- Tire del gatillo y empuje el tope para mantener activada la alimentación, lo cual es conveniente para un funcionamiento continuo. Cuando se lo desconecta, el tope puede quitarse tirando del gatillo otra vez.

**2. Uso como taladro común o taladro de impacto**

- (1) Fuerza de presionar del taladro  
No se pueden perforar los orificios más rápidamente por el hecho de presionar el taladro con más fuerza de la necesaria. Ello no sólo daña la punta de la brocas y disminuye la eficacia de operación, sino que acorta la duración útil de la herramienta.
- (2) En caso de los orificios de penetración  
Pueden romperse las brocas cuando se penetra el material perforado. Es importante disminuir la fuerza de penetración justo antes de hacer la penetración.  
**PRECAUCION**  
Al hacer operación continua, no hay que aplicar carga por unos cinco segundos, luego de completar la operación de taladrar.
- (3) Cuando se usa una broca gruesa  
El brazo puede someterse a una fuerte reacción cuando se emplean brocas gruesas. Tener cuidado entonces en no resultar afectado por tal fuerza de reacción. Para ello, establecer un apoyapie y sujetar la unidad fuertemente con ambas manos de modo perpendicular con respecto al material a perforar.

**MANTENIMIENTO E INSPECCION****1. Inspección de las brocas de barrena**

Debido a que el uso de brocas de barrena desgastadas producen fallos de funcionamiento del motor y una disminución de la eficiencia, cámbielas inmediatamente por otras nuevas o reafilelas cuando note abrasión en las mismas.

## 2. Inspeccionar la broca de taladro y el macho de roscar

Como el uso continuado de una broca o macho de roscar desgastados disminuye la eficiencia operativa y causa un posible recalentamiento del motor, reemplazar o afilar la broca o el macho sin demora si se nota un excesivo desgaste.

## 3. Mantenimiento d motor

La unidad de devanado del motor es el verdadero "corazón" del herramientas eléctricas. Prestar el mayor cuidado a asegurarse de que el devando no se dañe y/o se humedezca con aceite o agua.

## 4. Inspección de las escobillas

Por motivos de seguridad contra descargas eléctricas, la inspección y el reemplazo de las escobillas deberán realizarse SOLAMENTE en un CENTRO DE SERVICIO AUTORIZADO POR HITACHI.

## 5. Lista de repuestos

### PRECAUCIÓN:

La reparación, modificación e inspección de las herramientas eléctricas Hitachi deben ser realizadas por un Centro de Servicio Autorizado de Hitachi.

Esta lista de repuestos será de utilidad si es presentada junto con la herramienta al Centro de Servicio Autorizado de Hitachi, para solicitar la reparación o cualquier otro tipo de mantenimiento.

En el manejo y el mantenimiento de las herramientas eléctricas, se deberán observar las normas y reglamentos vigentes en cada país.

### MODIFICACIONES:

Hitachi Power Tools introduce constantemente mejoras y modificaciones para incorporar los últimos avances tecnológicos.

Por consiguiente, algunas partes pueden ser modificadas sin previo aviso.

---

### OBSERVACION

Debido al programa continuo de investigación y desarrollo de HITACHI estas especificaciones están sujetas a cambio sin preaviso.

---

---

### Informatie betreffende luchtgeluid en trillingen

De gemeten waarden zijn verkregen overeenkomstig EN50144.

Het doorsnee A-gewogen geluiddrukknivo is 99 dB (A).

Het standaard A-gewogen geluiddrukknivo: 112 dB (A).

Draag gehoorbescherming.

Typische gewogen effectieve versnellingswaarde: 10,5 m/s<sup>2</sup>.

---

---

## PRECAUÇÕES GERAIS QUANTO À OPERAÇÃO

**ATENÇÃO!** Ao utilizar ferramentas elétricas, observe determinadas medidas básicas de segurança, para se evitar o risco de incêndio, choques elétricos e acidentes pessoais, inclusive os que se seguem.

Leia todas estas instruções antes de utilizar este equipamento, conservando-as depois em seu poder.

Para operações seguras:

1. Mantenha o local de trabalho arrumado. A desordem no local de trabalho pode ser motivo de acidente.
2. Leve em consideração o ambiente que o rodeia. Não exponha as ferramentas elétricas à chuva. Não utilize ferramentas elétricas em locais úmidos ou molhados. Trabalhe em local bem iluminado. Não utilize ferramentas elétricas em locais onde haja risco de incêndios ou explosões.
3. Evite choques elétricos. Evite o contato com superfícies ligadas à terra. (p.ex. tubos, radiadores, fogões, refrigeradores).
4. Mantenha crianças e enfermos afastados. Não deixe que terceiros toquem na ferramenta ou no cabo elétrico. Não permita que estranhos permaneçam no local de trabalho.
5. Guarde as ferramentas que não estão sendo utilizadas. As ferramentas que não estão sendo utilizadas devem ser guardadas em local seco, alto ou fechado, fora do alcance de crianças e enfermos.
6. Não sobrecarregue a ferramenta. O trabalho será melhor e mais seguro se forem observados os limites indicados para cada ferramenta.
7. Utilize ferramentas apropriadas. Não use ferramentas pequenas ou acessórios para trabalhos pesados. Não empregue ferramentas em trabalhos e para fins a que não se destinam; não se sirva, por exemplo, de uma serra circular manual para cortar galhos ou troncos de árvores.
8. Escolha vestuário apropriado para o trabalho. Não use roupas largas ou jóias, pois podem prender-se em alguma peça móvel. Nos trabalhos externos aconselha-se o uso de luvas de borracha e sapatos que não escorreguem. Se tiver cabelo comprido, prenda-os com uma rede.
9. Utilize óculos de proteção. Coloque também máscara para o rosto ou contra a poeira durante os trabalhos que propiciam a formação de pó.
10. Conecte equipamento de extração de poeira. Se forem fornecidos dispositivos para a conexão de equipamentos de extração de poeira e aspirador de pó certifique-se de que estão conectados e usados de maneira apropriada.
11. Não force o cabo elétrico. Nunca transporte a ferramenta pelo cabo e não o puxe para tirar o plugue da tomada. Proteja o cabo contra o calor e evite o seu contato com óleo e objetos cortantes.
12. Mantenha fixa a peça a trabalhar. Utilize dispositivos de fixação ou uma morsa para prender a peça a trabalhar. É mais seguro do que a fixação manual e permite manejar a ferramenta com ambas as mãos.
13. Controle sua posição. Escolha uma posição segura e mantenha sempre o equilíbrio.
14. Efetue uma manutenção cuidadosa das ferramentas. Tenha as ferramentas sempre afiadas e limpas para que possa trabalhar bem e em segurança. Siga as instruções para lubrificação e troca de acessórios. Inspeção periodicamente os cabos elétricos da ferramenta e, se estiverem danificados, mande-os para conserto nas oficinas autorizadas. Mantenha as empunhadeiras secas, limpas e livres de óleo e graxa.
15. Não mantenha a ferramenta ligada à rede. Quando não estiver em uso ou ao trocar de acessório como, por exemplo, cortadores, brocas e lâminas, mantenha a máquina desligada da rede.
16. Retire as chaves de ajuste. Habitue-se a verificar se as chaves de ajuste foram retiradas da ferramenta antes de fazer a ligação.
17. Evite ligações despropositadas. Não transporte ferramentas ligadas à corrente com o dedo colocado no interruptor de comando. Antes de ligar a ferramenta à rede, certifique-se de que o interruptor de comando está desligado.
18. Utilize cabos de extensão para uso externo. Ao ar livre, utilize apenas um cabo de extensão próprio para este fim.
19. Mantenha-se sempre alerta. Ao sentir-se cansado, não utilize a ferramenta.
20. Verifique se as peças apresentam danos. Antes de continuar a utilizar a ferramenta, verifique cuidadosamente se os dispositivos de proteção e peças que apresentam pequenos danos estão operacionais. Veja se as peças móveis estão alinhadas, se movimentando com fluência, se existem peças danificadas, se estão perfeitamente montadas ou se existem quaisquer outros problemas que possam afetar sua operação. Todas as peças e dispositivos de proteção que não estejam funcionando perfeitamente devem ser consertados ou substituídos numa oficina autorizada, a menos que haja indicações contrárias nestas instruções de uso. Não utilize a ferramenta se o interruptor não ligar nem desligar.
21. Atenção  
A utilização de quaisquer acessórios ou aparelhos adicionais que não se encontrem nestas instruções de uso podem apresentar riscos de acidentes pessoais.
22. Utilize os serviços de pessoas qualificadas. Esta ferramenta elétrica está de acordo com os requisitos de segurança apropriados. Os consertos devem ser apenas realizados por pessoal qualificado, utilizando peças sobressalentes originais. Caso contrário, o usuário pode estar correndo um risco considerável.

## PRECAUÇÕES NO USO DO BERBEQUIM COM PERCUSSÃO

1. Antes de furar paredes, tetos ou pisos, certifique-se de que não existam fiações elétricas embutidas nesses locais.
2. Ao perfurar concreto ou materiais duros similares no modo IMPACTO, aperte o lado-R do botão. (Fig. 10)

## ESPECIFICAÇÕES

Voltagem (por áreas)*	(110V, 220V, 230V, 240V) ∩	
Potência de entrada	590W*	
Rotação sem carga	0–2900 min <sup>-1</sup>	
Capacidade do mandril	13 mm	
Capacidade	Aço	13 mm
	Concreto	26 mm
	Madeira	25 mm
Taxa de impacto com carga completa	34500 min <sup>-1</sup>	
Peso (sem fio)	1,5 kg	

\*Não deixe de verificar a voltagem na placa identificadora constante do produto, pois ela está sujeita a mudanças conforme a área.

## ACESSÓRIOS-PADRÃO

- (1) Chave de mandril (especificação somente para o mandril ajustado com chave de mandril) ..... 1
  - (2) Empunhadura lateral ..... 1
  - (3) Sonda ..... 1
  - (4) Estojo de plástico ..... 1
- Standard accessories are subject to change without notice.

## ACESSÓRIOS OPCIONAIS

(vendidos separadamente)

- (1) Broca de impacto (para concreto)  
3,2 mm – 20 mm de diâmetro
  - (2) Gancho (A)
- Os acessórios opcionais estão sujeitos a mudanças sem aviso prévio.

## APLICAÇÕES

- Pelas ações combinadas de ROTAÇÃO e IMPACTO: fazer furos em materiais duros (concreto, mármore, granito, azulejos, etc.)
- Pela ação de ROTAÇÃO: fazer furos em metal, madeira e plástico

## ANTES DA OPERAÇÃO

- 1. Fonte de energia**  
Certifique-se de que a fonte de energia a ser utilizada está conforme às exigências especificadas na placa identificadora do produto.
- 2. Interruptor**  
Certifique-se de que o interruptor está na posição desligada. Se o plugue estiver conectado a um receptáculo quando o interruptor estiver ligado, a ferramenta elétrica vai começar a operar imediatamente, podendo provocar um grave acidente.
- 3. Cabo de extensão**  
Quando o local de trabalho não possuir uma fonte de energia, utilize um cabo de extensão de espessura e de potência nominal suficientes. A extensão deve ser mantida tão curta quanto possível.

### 4. Seleção da broca apropriada

- Ao perfurar concreto ou pedra, use as brocas especificadas na seção sobre acessórios opcionais.
  - Ao perfurar metais ou plásticos, use uma broca comum para trabalhos em metal.
  - Ao perfurar madeira, use uma broca comum para trabalhos em madeira.
- No entanto, ao fazer furos de 6,5 mm ou menores, use uma broca própria para trabalhos em metal.

### 5. Montagem e desmontagem da broca

**Para mandril com chave de mandril (Fig. 1)**

- (1) Abra o mordente e insira a broca no mandril.
- (2) Coloque a chave do mandril em cada um dos três orifícios no mandril e gire-a no sentido horário (visto de cada lado frontal). Aperte bem.
- (3) Para retirar a broca, coloque a chave do mandril em cada um dos orifícios no mandril e gire-a no anti-horário.

**Para mandril sem chave (Fig. 2)**

- (1) Abra o mordente e insira a broca no mandril.  
Para abrir o mordente, segure o anel ao mesmo tempo que gira o manguito no sentido anti-horário (visto do lado frontal).
- (2) Segure firmemente o anel e gire o manguito no sentido horário. Aperte bem.
- (3) Para retirar a broca, segure firmemente o anel e gire o manguito no sentido anti-horário.
- (4) Quando o manguito não se afrouxar mais, prenda a empunhadura lateral para reter o anel, segure a empunhadura lateral firmemente e, então, gire o manguito para afrouxar à mão. (Fig. 3)

### 6. Verifique a direção de rotação (Fig. 4)

A broca gira no sentido horário (vista a partir do lado de trás) ao se apertar o lado direito (R) da tecla. Aperta-se o lado esquerdo (L) da tecla para fazer com que a broca gire no sentido anti-horário. (As marcas (L) e (R) estão gravadas no corpo da ferramenta.)

#### CUIDADO

Ao usar o bebequim com percussão, utilize-o sempre com a rotação no sentido horário.

**7. Ajuste da empunhadura lateral (Fig. 5)**

Prenda a empunhadura lateral na peça de engaste. Gire o cabo da empunhadura lateral no sentido horário para prendê-lo.

Ajuste a empunhadura lateral numa posição que se adapte à operação e, então, aperte firmemente o cabo da empunhadura lateral. Para prender a sonda de profundidade na empunhadura lateral, insira-a na ranhura em forma de U na parte lateral do cabo, ajuste a posição da sonda de acordo com a profundidade desejada do furo, e aperte firmemente a garra da empunhadura lateral. (Fig. 6)

**8. Comutação de IMPACTO para ROTAÇÃO (Fig. 7)**

Desloque a alavanca de mudança entre as posições da direita e da esquerda para passar facilmente de IMPACTO (rotação e impacto) para ROTAÇÃO (apenas rotação), respectivamente.

Para fazer furos em materiais duros como concreto, pedra e azulejos, desloque a alavanca de mudança para a posição da direita (indicada pela marca **T**). A cabeça da broca opera pelas ações combinadas de impacto e rotação.

Para fazer furos em metal, madeira e plástico, desloque a alavanca de mudança para a posição da esquerda (indicada pela marca **L**). A cabeça da broca opera apenas pela ação de rotação, tal qual uma furadeira elétrica convencional.

**CUIDADOS**

- Não utilize o berbequim com percussão na função de IMPACTO se o material puder ser perfurado apenas por rotação. Uma ação dessas não apenas reduz a eficácia da ferramenta, mas pode também danificar a ponta da broca.
- A operação do berbequim com percussão com a alavanca de mudança na posição intermediária pode causar danos. Ao deslocar a alavanca, certifique-se de o fez deixando-a na posição correta.

**9. Para prender o gancho. (Acessório opcional) (Fig. 8)**

Para prender o gancho (A), é necessário desmontar a parte da empunhadura que protege o sistema elétrico da ferramenta. Para sua segurança contínua e para proteção contra choques elétricos, a instalação do gancho (A) neste berbequim deve ser feita APENAS numa OFICINA AUTORIZADA DA HITACHI.

**CUIDADO:**

Quando a ferramenta elétrica for usada com um gancho preso nela, preste atenção aos seguintes pontos:

- Antes de prender a unidade principal no cinto, certifique-se de que a furadeira está completamente desativado. Enquanto ele estiver pendurada no cinto, o plugue deve estar desconectado da fonte de eletricidade.
- Não ande com a ferramenta elétrica presa no cinto.
- No caso de utilizar a ferramenta num local alto, é perigoso deixar cair acidentalmente a ferramenta. Se o gancho estiver deformado ou suspenso numa posição errada há perigo de que ele escorregue e a ferramenta caia. Tome cuidado para evitar riscos.
- Ao fazer um furo, a ferramenta elétrica às vezes balança violentamente, por exemplo, ao furar uma peça. Neste caso, tome cuidado para não se ferir com o gancho.

**MODO DE USAR****1. Acionamento do interruptor**

- Ao se pressionar o gatilho, a ferramenta entra em rotação. Ao se soltar o gatilho, ela pára.
- A velocidade de rotação do berbequim pode ser controlada variando-se a pressão sobre o interruptor de gatilho. A velocidade é baixa quando o interruptor de gatilho for levemente pressionado e aumenta à medida em que a pressão cresce.
- A velocidade de rotação desejada pode ser pré-selecionada no dial de controle de velocidade. Gire o dial de controle de velocidade no sentido horário para velocidades maiores e no sentido anti-horário para velocidades baixas. (Fig. 9)
- Ao puxar o gatilho e empurrar o botão de parada, mantêm-se a condição de acionamento conveniente para um trabalho contínuo. Ao desligar, o botão de parada pode ser desconectado pressionando-se outra vez o gatilho.

**2. Quando usar o berbequim como furadora ou como furadora de impacto**

- (1) Ao pressionar força no berbequim  
Não se consegue fazer furos mais rapidamente, mesmo se pressioná-lo mais fortemente do que o necessário. Não apenas danifica a ponta da broca e diminui a eficácia da operação, mas também reduz a vida útil da broca.
- (2) Em caso de furos penetrantes  
As brocas podem quebrar quando da penetração no material que está sendo perfurado. É importante diminuir a força de pressão um pouco antes da penetração.

**CUIDADO**

Em operações contínuas, coloque em funcionamento sem carga por 5 segundos depois de completar o trabalho de perfuração.

- (3) Ao utilizar uma broca grossa  
Seu braço fica sujeito a uma força de reação maior quando se utiliza uma broca mais grossa. Tome cuidado para não se movimentar devido à força de reação. Por causa disso, fique numa posição estável, segure a ferramenta com força em ambas as mãos perpendicularmente ao material a ser perfurado.

**MANUTENÇÃO E INSPEÇÃO****1. Inspeção das brocas**

Como o emprego de brocas esmerilhadas pode causar mau funcionamento do motor e diminuir a eficiência, ao notar desgaste nas brocas, substitua-as por novas ou mande-as afiar sem demora.

**2. Inspeção dos parafusos de montagem**

Inspeccione regularmente todos os parafusos de montagem e se certifique de que estão corretamente apertados. Se algum deles estiver frouxo, reaperte-o imediatamente. Caso isso não seja feito, pode resultar em perigo grave.

**3. Manutenção do motor**

A unidade de enrolamento do motor é o verdadeiro "coração" da ferramenta elétrica. Cuide bem para assegurar que o enrolamento não se danifique e/ou se molhe com óleo ou água.

#### 4. Inspeção das escovas de carvão

Para sua segurança duradoura e proteção contra choques elétricos, a inspeção das escovas de carvão e a substituição delas nesta ferramenta deve ser feita APENAS numa OFICINA AUTORIZADA DA HITACHI.

#### 5. Lista de peças para conserto

##### **CUIDADO:**

Consertos, modificações e inspeção de Ferramentas Elétricas da Hitachi devem ser realizados por uma Oficina Autorizada da Hitachi.

Esta lista de peças pode ser útil se apresentada com a ferramenta na Oficina Autorizada da Hitachi ao solicitar conserto ou manutenção.

Na operação e na manutenção das ferramentas elétricas, devem-se observar as normas de segurança e os padrões prescritos por cada país.

##### **MODIFICAÇÃO:**

As Ferramentas Elétricas da Hitachi estão sempre sendo aperfeiçoadas e modificadas para incorporar os mais recentes avanços tecnológicos.

Dessa forma, algumas peças podem mudar sem aviso prévio.

---

##### **NOTA**

Devido ao contínuo programa de pesquisa e desenvolvimento da HITACHI, as especificações aqui contidas estão sujeitas a mudanças sem aviso prévio.

---

---

##### **Informação a respeito de ruídos e vibração do ar**

Os valores medidos foram determinados de acordo com EN50144.

Nível típico de pressão sonora de peso A: 99 dB (A).

Nível típico da potência sonora de peso A: 112 dB (A).

Use protetores de ouvido.

Valor típico da aceleração média ponderada da raiz quadrada: 10,5 m/s<sup>2</sup>.

---

---



## ΓΕΝΙΚΑ ΜΕΤΡΑ ΑΣΦΑΛΕΙΑΣ ΚΑΤΑ ΤΗ ΛΕΙΤΟΥΡΓΙΑ

**ΚΙΝΔΥΝΟΣ!** Κατά τη χρήση ηλεκτρικών εργαλείων, τα βασικά μέτρα ασφαλείας πρέπει πάντοτε να ακολουθούνται για την ελάττωση του κινδύνου της πυρκαγιάς, της ηλεκτροπληξίας και του ατομικού τραυματισμού, συμπεριλαμβανομένων των παρακάτω. Διαβάστε όλες αυτές τις οδηγίες πριν θέσετε σε λειτουργία αυτό το προϊόν και φυλάξτε αυτές τις οδηγίες.

Για ασφαλείς λειτουργίες:

1. Διατηρήστε τον χώρο εργασίας καθαρό. Οι ακατάστατοι χώροι και πάγκοι εργασίας έχουν την τάση να προκαλούν τραυματισμούς.
2. Λάβετε υπόψη τον περιβάλλον εργασίας. Μην εκθέσετε τα ηλεκτρικά εργαλεία στη βροχή. Μην χρησιμοποιήσετε ηλεκτρικά εργαλεία σε υψιστεγμένες ή υγρές περιοχές. Κρατήστε το χώρο εργασίας καλά φωτισμένο. Μην χρησιμοποιήσετε τα ηλεκτρικά εργαλεία σε χώρο όπου υπάρχει κίνδυνος φωτιάς ή έκρηξης.
3. Φυλάξτε ενάντια στην ηλεκτροπληξία. Αποφύγετε την σωματική επαφή με γειωμένες επιφάνειες. (π.χ. σωλήνες, θερμάστρες, μαγειρικές συσκευές, ψυγεία).
4. Κρατήστε τα παιδιά και τους σωματικά καταβεβλημένους ανθρώπους μακριά. Μην αφήνεται τους επισκέπτες να αγγίζουν το εργαλείο ή το καλώδιο προέκτασης. Όλοι οι επισκέπτες πρέπει να κρατούνται μακριά από το χώρο εργασίας.
5. Αποθκεύστε τα εργαλεία που δεν βρίσκονται σε λειτουργία. Όταν δεν χρησιμοποιούνται τα εργαλεία πρέπει να αποθηκεύονται σε ένα χώρο που είναι στεγνός, βρίσκεται σε μια ψηλή θέση ή είναι κλειδωμένος, μακριά από την πρόσβαση των παιδιών και των σωματικά καταβεβλημένων ανθρώπων.
6. Μην ασκήσετε βία στο εργαλείο. Θα πραγματοποιήσει την εργασία καλύτερα και με μεγαλύτερη ασφάλεια στο ρυθμό για τον οποίο σχεδιάστηκε.
7. Χρησιμοποιήστε το κατάλληλο εργαλείο. Μην προσαρτήσετε βία με μικρά εργαλεία ή προσαρτήματα να κάνετε τη δουλειά ενός εργαλείου σχεδιασμένο για βαριές δουλειές. Μην χρησιμοποιήσετε εργαλεία για δουλειές για τις οποίες δεν προορίζονται. Για παράδειγμα μην χρησιμοποιήσετε ένα κόφτη για να κόψετε κλαδιά δέντρου ή κούτσουρα.
8. Ντυθείτε κατάλληλα. Μην φοράτε φαδιά ρούχα ή κοσμήματα, αυτά μπορούν να πισωθούν στα μετακινούμενα μέρη. Αστιχένια γάντια και μη ολισθηρά υποδήματα συνιστώνται όταν εργάζεστε σε εξωτερικούς χώρους. Φορέστε ένα προστατευτικό κάλυμμα μαλλιών για να καλύψετε τα μακριά μαλλιά.
9. Χρησιμοποιήστε προστατευτικό ματιών. Επίσης χρησιμοποιήστε μάσκα προσώπου ή σκόνης αν η εργασία της κοπής θα προκαλέσει σκόνη.
10. Συνδέστε ένα εξάρτημα εξαγωγής σκόνης. Αν παρέχονται εξαρτήματα για την σύνδεση των συσκευών εξαγωγής και συλλογής σκόνης σιγουρευτείτε ότι αυτά είναι συνδεδεμένα και ότι χρησιμοποιούνται κατάλληλα.
11. Μην χρησιμοποιήσετε βία στο καλώδιο. Ποτέ μη μεταφέρετε το εργαλείο από το καλώδιο ή το τραβήξετε απότομα για να το αποσυνδέσετε από την υποδοχή. Κρατήστε το καλώδιο μακριά από θερμότητα, λάδι, και κοφτερές γωνίες.

12. Σιγουρεύετε το αντικείμενο εργασίας σας. Χρησιμοποιήστε σφιγκτήρες ή μια μέγγενη για το κράτημα του αντικείμενου πάνω στο οποίο εργάζεστε. Είναι πιο ασφαλές από το να χρησιμοποιείτε το χέρι σας και επιπρόσθετα ελευθερώνει και τα δύο χέρια για να λειτουργήσετε το εργαλείο.
13. Μην προεκτείνετε. Διατηρήστε πάντοτε το κατάλληλο πάτημα και ισορροπία.
14. Συντηρείτε τα εργαλεία με προσοχή. Διατηρείτε τα εργαλεία που κόβουν αιχμηρά και καθαρά για καλύτερη και ασφαλέστερη απόδοση. Ακολουθήστε τις οδηγίες για τη λίπανση και την αλλαγή εξαρτημάτων. Ελέγχετε τα καλώδια των εργαλείων περιοδικά αν έχουν πάθει ζημιά, επισκευάστε τα σε ένα εξουσιοδοτημένο κέντρο επισκευής. Ελέγχετε τα καλώδια περιοδικά και αντικαταστήστε τα αν έχουν πάθει ζημιά. Κρατήστε τις λαβές στεγνές, καθαρές, χωρίς να έχουν λάδι και γράσο.
15. Αποσυνδέστε τα εργαλεία. Όταν δεν χρησιμοποιούνται, πριν από το σέρβις και κατά την αλλαγή εξαρτημάτων όπως λεπίδες, ακίδες, και κόφτες.
16. Αφαιρέστε τα κλειδιά ρυθμιζόμενου ανοίγματος και τα απλά κλειδιά. Έχετε την συνήθεια να ελέγχετε να δείτε αν τα απλά κλειδιά και τα κλειδιά ρυθμιζόμενου ανοίγματος έχουν αφαιρεθεί από το εργαλείο πριν το βάλετε να δουλέψει.
17. Αποφύγετε την άσκοπη εκκίνηση. Μην μεταφέρετε ένα συνδεδεμένο στην μπρίζα εργαλείο με τη σκανδάλη στο χέρι. Βεβαιωθείτε ότι ο διακόπτης είναι κλειστός όταν βάζετε το εργαλείο στη μπρίζα.
18. Χρησιμοποιήστε καλώδια προέκτασης για χρήση σε εξωτερικό χώρο. Όταν το εργαλείο χρησιμοποιείται σε εξωτερικό χώρο χρησιμοποιήστε καλώδια προέκτασης που προορίζονται για χρήση στον εξωτερικό χώρο.
19. Να είστε σε επιμέλεια. Βλέπετε τι κάνετε. Χρησιμοποιήστε τη κοινή λογική. Μην λειτουργείτε το εργαλείο όταν είστε κουρασμένοι.
20. Ελέγξτε τα κατεστραμμένα τμήματα. Πριν την παραπέρα χρήση του εργαλείου, ο προφυλακτήρας ή το οποιοδήποτε κομμάτι που έχει πάθει ζημιά πρέπει να ελεγχθεί προσεκτικά για να διαπιστωθεί ότι θα λειτουργήσει κανονικά και θα εκτελέσει την λειτουργία για την οποία προορίζεται. Ελέγξτε την ελαστικότητα των κινούμενων τμημάτων, την ελεύθερη κίνηση των κινούμενων τμημάτων, το σπάσιμο των τμημάτων, την στερώση και τις οποιοδήποτε άλλες καταστάσεις που ενδέχεται να επηρεάζουν την λειτουργία του. Ο προφυλακτήρας ή οποιοδήποτε άλλο τμήμα που έχει πάθει ζημιά θα πρέπει να διορθωθεί κατάλληλα ή να αντικατασταθεί από ένα εξουσιοδοτημένο για σέρβις κέντρο εκτός και αν υπάρχει ένδειξη για κάτι άλλο σε αυτές τις οδηγίες χειρισμού. Αντικαταστήστε τους ελαττωματικούς διακόπτες από ένα εξουσιοδοτημένο για σέρβις κέντρο. Μην χρησιμοποιήσετε το εργαλείο αν ο διακόπτης δεν το βάζει σε εκκίνηση και δεν το κλείνει.
21. Κίνδυνος  
Η χρήση, οποιονδήποτε εξαρτημάτων ή προσαρτημάτων εκτός από αυτά που συνιστώνται σε αυτές τις οδηγίες χειρισμού, μπορεί να προκαλέσει τον κίνδυνο προσωπικού τραυματισμού.
22. Επισκευάστε το εργαλείο σας σε ένα έμπειρο πρόσωπο. Αυτό το ηλεκτρικό εργαλείο είναι εναρμονισμένο με τους σχετικούς κανόνες ασφαλείας. Η επισκευή θα πρέπει να γίνεται μόνον από έμπειρα άτομα που χρησιμοποιούν αυθεντικά ανταλλακτικά. Διαφορετικά μπορεί να προκληθεί σημαντικός κίνδυνος για τον χρήστη.

## ΠΡΟΦΥΛΑΚΤΙΚΑ ΜΕΤΡΑ ΓΙΑ ΤΗΝ ΧΡΗΣΗ ΤΟΥ ΚΡΟΥΣΤΙΚΟΥ ΔΡΑΠΑΝΟΥ

1. Πριν το άνοιγμα τρύπας πάνω σε τοίχους, οροφές ή δάπεδα, βεβαιωθείτε ότι δεν υπάρχουν κρυμμένα μέσα ηλεκτρικά καλώδια.

## ΤΕΧΝΙΚΑ ΧΑΡΑΚΤΗΡΙΣΤΙΚΑ

Τάση (ανά περιοχές)*	(110V, 220V, 230V, 240V) ~	
Ισχύς εισόδου	590W*	
Ταχύτητα χωρίς φορτίο	0-2900 min <sup>-1</sup>	
Ικανότητα σφικτήρα δραπάνου	13 mm	
Ικανότητα	Ατσάλι	13 mm
	Τσιμέντο	16 mm
	Ξύλο	25 mm
Ταχύτητα κρούσης πλήρους φορτίου	34500 min <sup>-1</sup>	
Βάρος (χωρίς καλώδιο)	1,5 kg	

\* Βεβαιωθείτε να ελέγξετε την πινακίδα στο προϊόν επειδή υπόκειται σε αλλαγή σε εξάρτηση από την περιοχή.

## ΚΑΝΟΝΙΚΑ ΕΞΑΡΤΗΜΑΤΑ

- (1) Κλειδί Σφικτήρα (Ειδ. μόνο για σφικτήρα που τοποθετείται με κλειδί σφικτήρα) ..... 1
  - (2) Πλευρική λαβή ..... 1
  - (3) Μετρητής βάθους ..... 1
  - (4) Πλαστική θήκη ..... 1
- Τα κανονικά εξαρτήματα μπορούν να αλλάξουν χωρίς προειδοποίηση.

## ΠΡΟΑΙΡΕΤΙΚΑ ΕΞΑΡΤΗΜΑΤΑ

(πωλούνται ξεχωριστά)

- (1) Λεπίδα Κρουστικού Δραπάνου (για τσιμέντο)  
3,2 mm - 20 mm διαμ.
- (2) Γάτζος (Α)  
Τα προαιρετικά εξαρτήματα υπόκεινται σε αλλαγή χωρίς προειδοποίηση.

## ΕΦΑΡΜΟΓΕΣ

- Με τον συνδυασμό των δράσεων ΠΕΡΙΣΤΡΟΦΗ και ΚΡΟΥΣΗ: Άνοιγμα τρύπας σε σκληρά υλικά (τσιμέντο, μάρμαρο, γρανίτη, πλακάκια, κλπ.)
- Με ΠΕΡΙΣΤΡΟΦΙΚΗ δράση:  
Άνοιγμα τρυπών σε μέταλλο, ξύλο και πλαστικό.

## ΠΡΙΝ ΤΗ ΛΕΙΤΟΥΡΓΙΑ

1. **Πηγή ρεύματος**  
Βεβαιωθείτε ότι η πηγή ρεύματος που πρόκειται να χρησιμοποιηθεί είναι εναρμονισμένη με τις απαιτήσεις σε ρεύμα που αναφέρεται στην πινακίδα του εργαλείου.
2. **Διακόπτης ρεύματος**  
Βεβαιωθείτε ότι ο διακόπτης ρεύματος βρίσκεται στη θέση OFF. Αν το βίσμα είναι στη μπρίζα καθώς ο διακόπτης ρεύματος βρίσκεται στο ON, το εργαλείο θα αρχίσει να λειτουργεί αμέσως, με πιθανότητα πρόκλησης σοβαρού ατυχήματος.

2. Όταν τρυπάτε τσιμέντο ή παρόμοια σκληρά υλικά με τον τρόπο λειτουργίας ΚΡΟΥΣΗ, πατήστε την R-πλευρά του κουμπιού ώθησης. (Εικ. 10)

## 3. Καλώδιο προέκτασης

Όταν ο χώρος εργασίας βρίσκεται μακριά από την παροχή ρεύματος, χρησιμοποιήστε ένα καλώδιο προέκτασης με κατάλληλο πάχος και ικανότητα μεταφοράς ρεύματος. Το καλώδιο προέκτασης πρέπει να είναι τόσο κοντό όσο είναι πρακτικά δυνατό.

## 4. Επιλογή της κατάλληλης λεπίδας τρυπανιού

- Όταν τρυπάτε τσιμέντο ή πέτρα  
Χρησιμοποιήστε τις λεπίδες που περιγράφονται στα Προαιρετικά Εξαρτήματα.
- Όταν τρυπάτε ξύλο  
Χρησιμοποιήστε μια λεπίδα τρυπανιού κατάλληλη για ξύλο.
- Όμως, όταν ανοίγετε τρύπες 6.5 mm ή μικρότερες τρύπες, χρησιμοποιήστε μια λεπίδα τρυπανιού που είναι κατάλληλη για μέταλλο.

## 5. Σύνδεση και αποσύνδεση της λεπίδας.

**Για τον σφικτήρα Τρυπανιού με κλειδί σφικτήρα** (Εικ. 1)

- (1) Ανοίξετε τις αρπάγες του σφικτήρα, και βάλτε μέσα τη λεπίδα στο σφικτήρα.
- (2) Τοποθετήστε το κλειδί του σφικτήρα μέσα σε κάθε μια από τις τρεις τρύπες του σφικτήρα και περιστρέψτε το προς τα δεξιά (όψη από την μπροστινή πλευρά). Σφίξτε με ασφάλεια.
- (3) Για να αφαιρέσετε τη λεπίδα, τοποθετήστε το κλειδί του σφικτήρα μέσα σε μια από τις τρύπες του σφικτήρα και περιστρέψτε το προς τα αριστερά.

**Για σφικτήρες χωρίς κλειδί** (Εικ. 2)

- (1) Ανοίξετε τις αρπάγες του σφικτήρα, και βάλτε μέσα τη λεπίδα στο σφικτήρα.  
Για να ανοίξετε τις αρπάγες του σφικτήρα, κρατήστε το δακτύλιο ενώ περιστρέφεται το συνδετικό δακτύλιο προς τα αριστερά (όψη από την μπροστινή πλευρά).
- (2) Πιάστε δυνατά το δακτύλιο και περιστρέψτε το συνδετικό δακτύλιο προς τα δεξιά. Σφίξτε με ασφάλεια.

(3) Για να αφαιρέσετε την λεπίδα, πιάστε δυνατά το δακτύλιο και περιστρέψτε το συνδετικό δακτύλιο προς τα αριστερά.

(4) Όταν ο βραχίονας δεν ξεσφίγγει περισσότερο, στερεώστε τη πλευρική λαβή στο δακτύλιο συγκράτησης, κρατήστε την πλευρική λαβή γερά, μετά στρέψτε το βραχίονα για να τον χαλαρώσετε με το χέρι. **(Εικ. 3)**

#### 6. ΕΛΞΕΤΕ ΤΗΝ ΠΕΡΙΣΤΡΟΦΙΚΗ ΔΙΕΥΘΥΝΣΗ (Εικ. 4)

Η λεπίδα περιστρέφεται προς τα δεξιά (όψη από την πίσω πλευρά) πατώντας την R-πλευρά του κουμπιού. Η L-πλευρά του κουμπιού πατιέται για να περιστραφεί η λεπίδα προς τα αριστερά. (Τα σημάδια (L) και (R) παρέχονται πάνω στο σώμα.)

#### ΠΡΟΣΟΧΗ

Πάντοτε να χρησιμοποιείτε το κρουστικό δράπανο με περιστροφή προς τα δεξιά, όταν το χρησιμοποιείτε σαν κρουστικό δράπανο.

#### 7. Στερέωση της πλευρικής λαβής (Εικ. 5)

Συνδέστε την πλευρική λαβή στο τμήμα στερέωσης. Περιστρέψτε το χερούλι της πλευρικής λαβής προς τα δεξιά για να το ασφαλίσετε.

Τοποθετήστε την πλευρική λαβή σε τέτοια θέση έτσι ώστε να είναι κατάλληλη για λειτουργία και μετά σφίξτε γερά το χερούλι της πλευρικής λαβής. Για συνδέσετε το μετρητή βάθους στην πλευρική λαβή, βάλτε τον μετρητή μέσα στην αυλάκωση της πλευρικής λαβής που έχει σχήμα U, ρυθμίστε την θέση του μετρητή βάθους σύμφωνα με το επιθυμητό βάθος της τρύπας, και γερά σφίξτε το χερούλι της πλευρικής λαβής. **(Εικ. 6)**

#### 8. Αλλαγή από την ΚΡΟΥΣΗ στη ΠΕΡΙΣΤΡΟΦΗ (Εικ. 7)

Μετακινήστε το μοχλό αλλαγής μεταξύ των αριστερών και δεξιών θέσεων για την εύκολη αλλαγή μεταξύ IMPACT (περιστροφή και κρούση) και ROTATION (περιστροφή μόνο), αντίστοιχα.

Για την διάνοιξη τρυπών σε σκληρά υλικά όπως τσιμέντο, πέτρα και πλακάκια, μετακινήστε τον μοχλό αλλαγής στην δεξιά θέση (όπως υποδεικνύεται με το **T** σημάδι). Η λεπίδα τρυπανιού λειτουργεί με το συνδυασμό των δράσεων της κρούσης και της περιστροφής.

Για την διάνοιξη τρυπών σε μέταλλο, ξύλο και πλαστικό, μετακινήστε τον μοχλό στην αριστερή θέση (όπως υποδεικνύεται με το **R** σημάδι). Η λεπίδα τρυπανιού λειτουργεί με την περιστροφική δράση μόνο, όπως στην περίπτωση του συμβατικού ηλεκτρικού τρυπανιού.

#### ΠΡΟΣΟΧΗ

○ Μην χρησιμοποιήσετε το Κρουστικό Δράπανο στη λειτουργία ΚΡΟΥΣΗ αν το υλικό μπορεί να τρυπηθεί μόνο με την περιστροφή. Τέτοια ενέργεια όχι μόνο θα ελαττώσει την αποδοτικότητα του τρυπανιού, αλλά επίσης θα προκαλέσει ζημιά στην άκρη της λεπίδας.

○ Η χρήση του Κρουστικού Δραπάνου με τον μοχλό αλλαγής στην ενδιάμεση θέση μπορεί να προκαλέσει ζημιά. Κατά την αλλαγή, σιγουρευτείτε ότι μετακινείτε τον μοχλό αλλαγής στην σωστή θέση.

#### 9. Συνδέση του γάντζου (Προαιρετικό εξάρτημα) (Εικ. 8)

Για να συνδέσετε το γάντζο (A) είναι απαραίτητο να αποσυνδέσετε το τμήμα της λαβής που καλύπτει το ηλεκτρικό σύστημα του εργαλείου. Για την

συνεχιζόμενη δική σας ασφάλεια και την προστασία από την ηλεκτροπληξία η εγκατάσταση του γάντζου (A) σε αυτό το δράπανο πρέπει να γίνει μονάχα από ένα ΕΞΟΥΣΙΟΔΟΤΗΜΕΝΟ ΚΕΝΤΡΟ ΣΕΡΒΙΣ ΤΗΣ HITACHI.

#### ΠΡΟΣΟΧΗ:

Όταν το ηλεκτρικό εργαλείο χρησιμοποιείται με το γάντζο στερεωμένο σε αυτό, δώστε προσοχή στα παρακάτω σημεία:

- Πριν κρεμάσετε την κύρια μονάδα από την ζώνη της μέσης σας, βεβαιωθείτε ότι το δράπανο έχει σταματήσει τελείως.
- Ενώ είναι κρεμασμένο από την ζώνη της μέσης σας, το βίσμα παροχής ρεύματος πρέπει να είναι αποσυνδεδεμένο από την πηγή του ρεύματος.
- Μην περπατάτε με το ηλεκτρικό εργαλείο να κρέμεται από την ζώνη της μέσης σας.
- Στην περίπτωση λειτουργίας σε υψηλά μέρη, είναι επικίνδυνο να ριζέτε κάτω το εργαλείο κατά λάθος. Αν ο γάντζος παραμορφωθεί ή κρεμαστεί από λανθασμένη θέση, υπάρχει κίνδυνος ο γάντζος θα γλιστρήσει και το εργαλείο να πέσει κάτω. Προσέχετε να αποφύγετε τον κίνδυνο.
- Κατά το άνοιγμα μιας τρύπας το ηλεκτρικό εργαλείο μερικές φορές τραντάζεται με δύναμη όταν το αντικείμενο εργασίας τρυπηθεί, για παράδειγμα. Προσέξτε να μην τραυματιστείτε από τον γάντζο ακόμα και αν κάτι τέτοιο συμβεί.

#### ΠΩΣ ΝΑ ΤΟ ΧΡΗΣΙΜΟΠΟΙΗΣΕΤΕ

##### 1. Λειτουργία διακόπτη

- Όταν η σκανδάλη είναι χαμηλωμένη, το εργαλείο περιστρέφεται.
- Όταν η σκανδάλη ελευθερωθεί το εργαλείο σταματά.
- Η ταχύτητα περιστροφής του δραπάνου μπορεί να ελεγχθεί από το κατά πόσο τραβιέται η σκανδάλη διακόπτης. Η ταχύτητα είναι χαμηλή όταν η σκανδάλη διακόπτης τραβηχθεί ελαφρά και αυξάνει καθώς η σκανδάλη διακόπτης τραβιέται περισσότερο.
- Η επιθυμητή ταχύτητα περιστροφής μπορεί να επιλεγεί εκ των προτέρων με το καντράν ελέγχου ταχύτητας.
- Γυρίστε το καντράν ελέγχου ταχύτητας δεξιόστροφα για την υψηλότερη ταχύτητα και αριστερόστροφα για την χαμηλότερη ταχύτητα. **(Εικ. 9)**
- Το τράβηγμα της σκανδάλης και το σπρώξιμο του στόπερ, διατηρεί την κατάσταση λειτουργίας, η οποία είναι βολική για συνεχής λειτουργία. Κατά το σβήσιμο, το στόπερ μπορεί να αποσυνδεθεί τραβώντας τη σκανδάλη ξανά.

##### 2. Όταν το χρησιμοποιείτε ως Τρυπάνι ή ως Κρουστικό Δράπανο

- (1) Δύναμη πίεσης στο τρυπάνι  
Δεν μπορείτε να ανοίξετε τρύπες πιο γρήγορα ακόμα και αν πιέσετε το τρυπάνι με περισσότερη δύναμη από αυτή που είναι απαραίτητη. Αυτό όχι μόνο προκαλεί την ζημιά στην άκρη της λεπίδας του τρυπανιού και ελαττώνει την αποδοτικότητα της λειτουργίας, αλλά επίσης μικραίνει την διάρκεια ζωής της κορυφής του τρυπανιού.
- (2) Στην περίπτωση των διαμετρών τρυπών  
Η λεπίδες του τρυπανιού μπορεί να σπάσουν όταν το υλικό το οποίο τρυπιέται διαπεραστεί εντελώς. Είναι σημαντικό να ελαττώσετε την δύναμη πίεσης λίγο πριν την πλήρη διαπεράση.

## ΠΡΟΣΟΧΗ

Στην συνεχή χρήση, πραγματοποιήστε τη λειτουργία χωρίς φορτίο για πέντε δευτερόλεπτα μετά την ολοκλήρωση της εργασίας τρυπανίσματος.

- (3) Όταν μια παχιά λεπίδα τρυπανιού χρησιμοποιηθεί Το μπάτσο σας υπόκειται σε μεγαλύτερη δύναμη αντίδρασης όταν χρησιμοποιείτε μια πιο παχιά λεπίδα τρυπανιού. Δώστε προσοχή ώστε να μην μετακινήσετε εξαιτίας της δύναμης αντίδρασης. Για αυτό το λόγο, διατηρήστε το πάτημά σας, κρατήστε την συσκευή γερά με τα δυο χέρια κατακόρυφα προς το υλικό το οποίο τρυπιέται.

## ΣΥΝΤΗΡΗΣΗ ΚΑΙ ΕΛΕΓΧΟΣ

### 1. Έλεγχος των λεπίδων του δραπάνου

Επειδή η χρήση των φθαρμένων λεπίδων θα προκαλέσει την δυσλειτουργία του μοτέρ και την μειωμένη αποδοτικότητα, αντικαταστήστε τις λεπίδες του δραπάνου με καινούργιες ή ακονίστε τις χωρίς καθυστέρηση όταν παρατηρηθεί η φθορά.

### 2. Έλεγχος των βιδών στερέωσης

Ελέγχετε περιοδικά όλες τις βίδες στερέωσης και βεβαιωθείτε ότι είναι κατάλληλα σφιγμένες. Στην περίπτωση που χαλαρώσει οποιαδήποτε βίδα σφίξτε την ξανά αμέσως. Αν δεν το κάνετε αυτό μπορεί να έχει ως αποτέλεσμα το σοβαρό τραυματισμό.

### 3. Συντήρηση του μοτέρ

Η περιέλιξη της μονάδα του μοτέρ είναι η καρδιά του ηλεκτρικού εργαλείου. Δώστε μεγάλη προσοχή για να σιγουρευτείτε ότι η περιέλιξη δεν θα πάθει ζημιά και / ή θα βρεχθεί με λάδι ή νερό.

### 4. Έλεγχος στα καρβουνάκια

Για την συνεχιζόμενη ασφάλεια σας και την προστασία σας από την ηλεκτροπληξία, ο έλεγχος στα καρβουνάκια και η αντικατάσταση αυτού του εργαλείου πρέπει ΜΟΝΟ να γίνεται από ένα ΕΞΟΥΣΙΟΔΟΤΗΜΕΝΟ ΚΕΝΤΡΟ ΣΕΡΒΙΣ ΤΗΣ HITACHI.

### 5. Λίστα συντήρησης των μερών

#### ΠΡΟΣΟΧΗ:

Η επισκευή, η τροποποίηση και ο έλεγχος των Ηλεκτρικών Εργαλείων Hitachi πρέπει να γίνεται από ένα Εξουσιοδοτημένο κέντρο σέρβις της Hitachi. Αυτή η λίστα των Μερών θα είναι χρήσιμη αν παρουσιαστεί μαζί με το εργαλείο στο εξουσιοδοτημένο Κέντρο Σέρβις της Hitachi όταν ζητάτε επισκευή ή κάποια άλλη συντήρηση. Κατά τον έλεγχο και τη συντήρηση των ηλεκτρικών εργαλείων, οι κανόνες ασφαλείας και οι κανονισμοί που υπάρχουν σε κάθε χώρα πρέπει να ακολουθούνται.

#### ΤΡΟΠΟΠΟΙΗΣΗ:

Τα Ηλεκτρικά Εργαλεία Hitachi βελτιώνονται συνεχώς και τροποποιούνται για να συμπεριλάβουν τις τελευταίες τεχνολογικές προόδους. Κατά συνέπεια, ορισμένα τμήματα μπορούν να αλλάξουν χωρίς προηγούμενη ειδοποίηση.

#### ΣΗΜΕΙΩΣΗ

Εξαιτίας του συνεχιζόμενου προγράμματος έρευνας και ανάπτυξης της Hitachi τα τεχνικά χαρακτηριστικά που εδώ αναφέρονται μπορούν να αλλάξουν χωρίς προηγούμενη ειδοποίηση.

#### Πληροφορίες που αφορούν τον εκπεμπόμενο θόρυβο και τη δόνηση.

Οι τιμές μετρήθηκαν σύμφωνα με το EN50144.

Ένα τυπικό επίπεδο πίεσης ήχου A : 99 dB (A).

Ένα τυπικό επίπεδο A ηχητικής ισχύος είναι: 112 dB (A).

Φοράτε προστατευτικά αυτιών.

Μια τυπική τιμή ριζας μέσης τετραγωνικής επιτάχυνσης: 10,5 m/s<sup>2</sup>

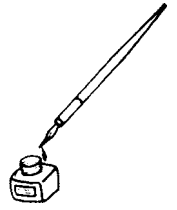
<p>English</p> <p align="center"><b><u>GUARANTEE CERTIFICATE</u></b></p> <p>① Model No.  ② Serial No.  ③ Date of Purchase  ④ Customer Name and Address  ⑤ Dealer Name and Address  (Please stamp dealer name and address)</p>	<p>Nederlands</p> <p align="center"><b><u>GARANTIEBEWIJS</u></b></p> <p>① Modelnummer  ② Serienummer  ③ Datum van aankoop  ④ Naam en adres van de gebruiker  ⑤ Naam en adres van de handelaar  (Stempel a.u.b. naam en adres vande de handelaar)</p>
<p>Deutsch</p> <p align="center"><b><u>GARANTIESCHEIN</u></b></p> <p>① Modell-Nr.  ② Serien-Nr.  ③ Kaufdatum  ④ Name und Anschrift des Kunden  ⑤ Name und Anschrift des Händlers  (Bitte mit Namen und Anschrift des Handlers abstempeln)</p>	<p>Español</p> <p align="center"><b><u>CERTIFICADO DE GARANTIA</u></b></p> <p>① Número de modelo  ② Número de serie  ③ Fecha de adquisición  ④ Nombre y dirección del cliente  ⑤ Nombre y dirección del distribuidor  (Se ruega poner el sellú del distribuidor con su nombre y dirección)</p>
<p>Français</p> <p align="center"><b><u>CERTIFICAT DE GARANTIE</u></b></p> <p>① No. de modèle  ② No de série  ③ Date d'achat  ④ Nom et adresse du client  ⑤ Nom et adresse du revendeur  (Cachet portant le nom et l'adresse du revendeur)</p>	<p>Português</p> <p align="center"><b><u>CETTIFICADO DE GARANTIA</u></b></p> <p>① Número do modelo  ② Número do série  ③ Data de compra  ④ Nome e morada do cliente  ⑤ Nome e morada do distribuidor  (Por favor, carimbe o nome e morada do distribuidor)</p>
<p>Italiano</p> <p align="center"><b><u>CERTIFICATO DI GARANZIA</u></b></p> <p>① Modello  ② N° di serie  ③ Data di acquisto  ④ Nome e indirizzo dell'acquirente  ⑤ Nome e indirizzo del rivenditore  (Si prega di apporre il timbro con questi dati)</p>	<p>Ελληνικά</p> <p align="center"><b><u>ΠΙΣΤΟΠΟΙΗΤΙΚΟ ΕΓΓΥΗΣΗΣ</u></b></p> <p>① Αρ. Μοντέλου  ② Αύξων Αρ.  ③ Ημερομηνία αγοράς  ④ Ονομα και διεύθυνση πελάτη  ⑤ Ονομα και διεύθυνση μεταπωλητή  (Παρακαλούμε να χρησιμοποιηθεί σφραγίδα)</p>

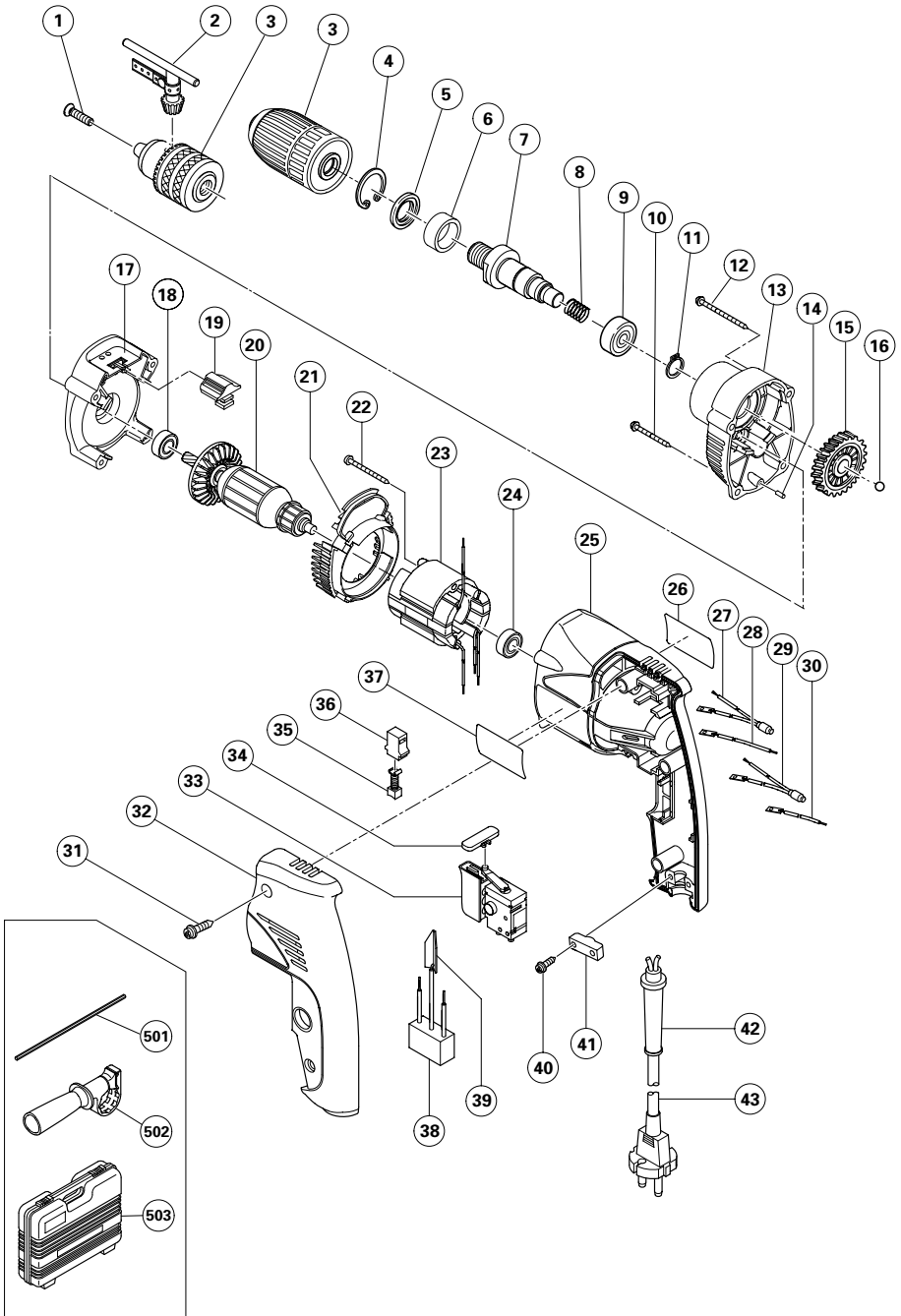


# Hitachi Koki

①	
②	
③	
④	
⑤	


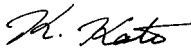

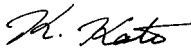

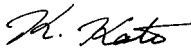








Item No.	Part Name
1	Flat Hd. Screw (A) (Left Hand) M6 × 25
2	Chuck Wrench
3	Drill Chuck
4	Retaining Ring For D32 Hole
5	Dust Seal
6	Distance Ring
7	Spindle
8	Spring
9	Ball Bearing (6002VVCMP2L)
10	Tapping Screw (W/Flange) D4 × 40
11	Retaining Ring For D15 Shaft
12	Tapping Screw (W/Flange) D4 × 55
13	Gear Cover
14	Needle D2.5
15	Gear
16	Steel Ball D4.76
17	Inner Cover Ass'y
18	Ball Bearing 608DDC2PS2L
19	Change Lever
20	Armature
21	Fan Guide
22	Tapping Screw D4 × 50
23	Stator
24	Ball Bearing (608ZZC2PS2L)
25	Housing
26	Name Plate
27	Choke Coil
28	Internal Wire
29	Choke Coil
30	Internal Wire
31	Tapping Screw (W/Flange) D4 × 20
32	Handle Cover
33	Switch
34	Push Button
35	Carbon Brush
36	Brush Holder
37	HITACHI Label
38	Noise Suppressor
39	Earth Terminal
40	Tapping Screw (W/Flange) D4 × 16
41	Cord Clip
42	Cord Armor
43	Cord
501	Depth Gauge
502	Side Handle
503	Case

<p>English</p> <p><b>EC DECLARATION OF CONFORMITY</b></p> <p>We declare under our sole responsibility that this product is in conformity with standards or standardized documents EN50144, EN55014 and EN61000-3 in accordance with Council Directives 73/23/EEC, 89/336/EEC and 98/37/EC.</p> <p>This declaration is applicable to the product affixed CE marking.</p>	<p>Nederlands</p> <p><b>EC VERKLARING VAN CONFORMITEIT</b></p> <p>Wij verklaren onder eigen verantwoordelijkheid dat dit produkt conform de richtlijnen of gestandaardiseerde documenten EN50144, EN55014 en EN61000-3 voldoet aan de eisen van EEG Bepalingen 73/23/EEG, 89/336/EEG en 98/37/EC.</p> <p>Deze verklaring is van toepassing op produkten voorzien van de CE-markeringen.</p>			
<p>Deutsch</p> <p><b>ERKLÄRUNG ZUR KONFORMITÄT MIT CE-REGELN</b></p> <p>Wir erklären mit alleiniger Verantwortung, daß dieses Produkt den Standards oder standardisierten Dokumenten EN50144, EN55014 und EN61000-3 in Übereinstimmung mit den Direktiven des Europarats 73/23/EWG, 89/336/EWG und 98/37/CE entspricht.</p> <p>Diese Erklärung gilt für Produkte, die die CE-Markierung tragen.</p>	<p>Español</p> <p><b>DECLARACIÓN DE CONFORMIDAD DE LA CE</b></p> <p>Declaramos bajo nuestra única responsabilidad que este producto está de acuerdo con las normas o con los documentos de normalización EN50144, EN55014 y EN61000-3, según indican las Directrices del Consejo 73/23/CEE, 89/336/CEE y 98/37/CE.</p> <p>Esta declaración se aplica a los productos con marcas de la CE.</p>			
<p>Français</p> <p><b>DECLARATION DE CONFORMITE CE</b></p> <p>Nous déclarons sous notre seule et entière responsabilité que ce produit est conforme aux normes ou documents normalisés EN50144, EN55014 et EN61000-3 en accord avec les Directives 73/23/CEE, 89/336/CEE et 98/37/CE du Conseil.</p> <p>Cette déclaration s'applique aux produits désignés CE.</p>	<p>Português</p> <p><b>DECLARAÇÃO DE CONFORMIDADE CE</b></p> <p>Declaramos, sob nossa única e inteira responsabilidade, que este produto está de acordo com as normas ou documentos normativos EN50144, EN55014 e EN61000-3, em conformidade com as Diretrizes 73/23/CEE, 89/336/CEE e 98/37/CE do Conselho.</p> <p>Esta declaração se aplica aos produtos designados CE.</p>			
<p>Italiano</p> <p><b>DICHIARAZIONE DI CONFORMITÀ CE</b></p> <p>Si dichiara sotto nostra responsabilità che questo prodotto è conforme agli standard o ai documenti standardizzati EN50144, EN55014 e EN61000-3 conforme alle direttive 73/23/CEE, 89/336/CEE e 98/37/CE del concilio.</p> <p>Questa dichiarazione è applicabile ai prodotti cui sono applicati i marchi CE.</p>	<p>Ελληνικά</p> <p><b>ΕΚ ΔΗΛΩΣΗ ΕΝΑΡΜΟΝΙΣΜΟΥ</b></p> <p>Δηλώνουμε με απόλυτη υπευθυνότητα ότι αυτό το προϊόν είναι εναρμονισμένο με τα πρότυπα ή τα έγγραφα προτύπων EN50144, EN55014 και EN61000-3 σε συμφωνία με τις Οδηγίες του Συμβουλίου 73/23/ΕΟΚ, 89/336/ΕΟΚ και 98/37/ΕΚ.</p> <p>Αυτή η δήλωση ισχύει στο προϊόν με το σημάδι CE.</p>			
<table border="0"> <tr> <td data-bbox="23 1088 553 1355"> <p>Representative office in Europe  <b>Hitachi Power Tools Europe GmbH</b>  Siemensring 34, 47877 Willich 1, F. R. Germany</p> <p>Head office in Japan  <b>Hitachi Koki Co., Ltd.</b>  Shinagawa Intercity Tower A, 15-1, Konan 2-chome,  Minato-ku, Tokyo, Japan</p> </td> <td data-bbox="553 1088 1075 1355" style="text-align: center; vertical-align: middle;">  </td> <td data-bbox="553 1088 1075 1355"> <p>29. 8. 2003</p> <p></p> <hr/> <p>K. Kato  Board Director</p> </td> </tr> </table>		<p>Representative office in Europe  <b>Hitachi Power Tools Europe GmbH</b>  Siemensring 34, 47877 Willich 1, F. R. Germany</p> <p>Head office in Japan  <b>Hitachi Koki Co., Ltd.</b>  Shinagawa Intercity Tower A, 15-1, Konan 2-chome,  Minato-ku, Tokyo, Japan</p>		<p>29. 8. 2003</p> <p></p> <hr/> <p>K. Kato  Board Director</p>
<p>Representative office in Europe  <b>Hitachi Power Tools Europe GmbH</b>  Siemensring 34, 47877 Willich 1, F. R. Germany</p> <p>Head office in Japan  <b>Hitachi Koki Co., Ltd.</b>  Shinagawa Intercity Tower A, 15-1, Konan 2-chome,  Minato-ku, Tokyo, Japan</p>		<p>29. 8. 2003</p> <p></p> <hr/> <p>K. Kato  Board Director</p>		

 **Hitachi Koki Co., Ltd.**