



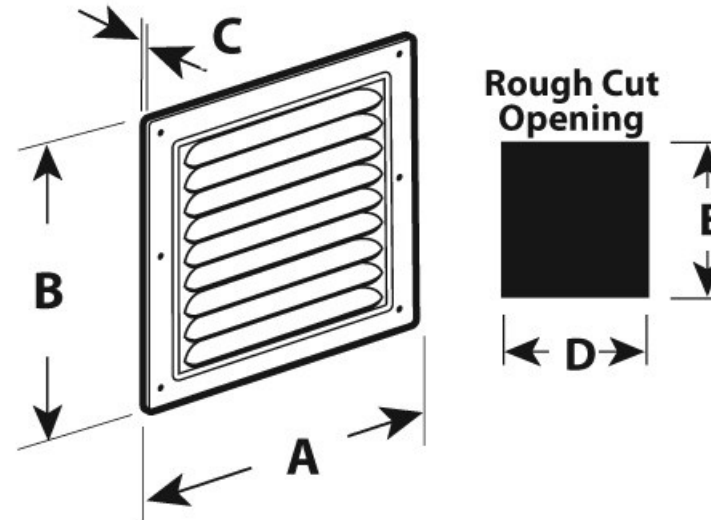
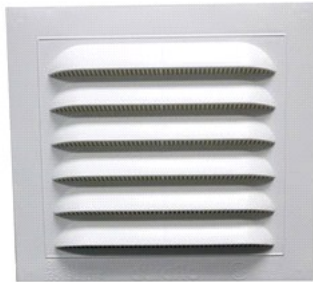
SUBMITTAL SHEET

Part Description:
 12" X 12" SQUARE COMBINED GABLE
 VENT

Part Number:
 621212

Canplas Industries Ltd
 500 Veterans Drive
 Barrie, Ontario, 1-800-461-5300

Canplas LLC
 11402 East 53rd Ave.
 Denver, CO 1-888-461-5307



Part #	Part UPC	Size (Inches)	Ctn Qty	Ctn Bar Code	Ctn Wt (Kgs)	Ctn Wt (lbs)	Skid Cubic (m)	Skid Cubic (ft)	Ctns/Skid
621212	662671620040	12	12	10662671620047	4.95	10.91	1.66	58.78	27

Dimensions (Inches)

A	B	C	D	E
14.81	14.56	0.10	12.81	12.50