

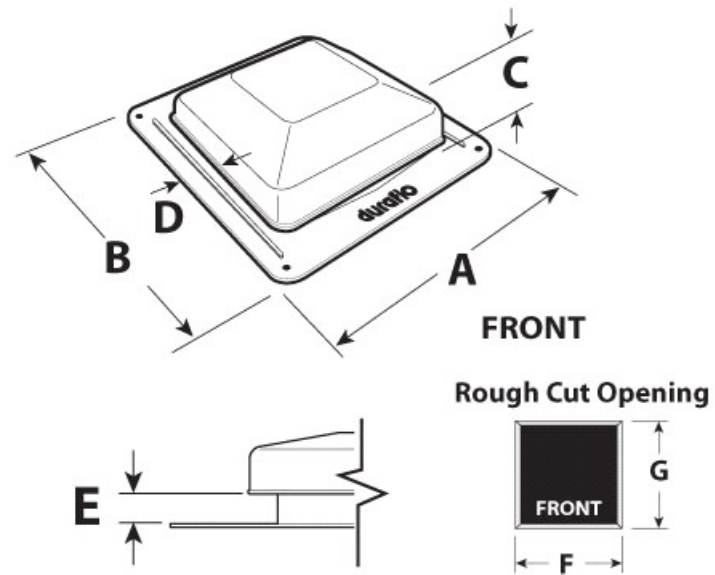


SUBMITTAL SHEET

Part Description:
50 SQ. IN. SQUARE TOP ROOF VENT

Part Number:
6050WW

Canplas Industries Ltd **Canplas LLC**
 500 Veterans Drive 11402 East 53rd Ave.
 Barrie, Ontario, 1-800-461-5300 Denver, CO 1-888-461-5307



Part #	Part UPC	Color	Ctn Qty	Ctn Bar Code	Ctn Wt (Kgs)	Ctn Wt (lbs)	Skid Cubic (m)	Skid Cubic (ft)	Ctns/Skid
6050WW	662671600097	WEATHERWOOD 0		10662671600094	7.10	15.65	2.95	104.09	16
Dimensions (Inches)									
A	B	C	D	E	F	G			
16.81	17.50	4.13	2.50	1.13	8.00	10.00			