

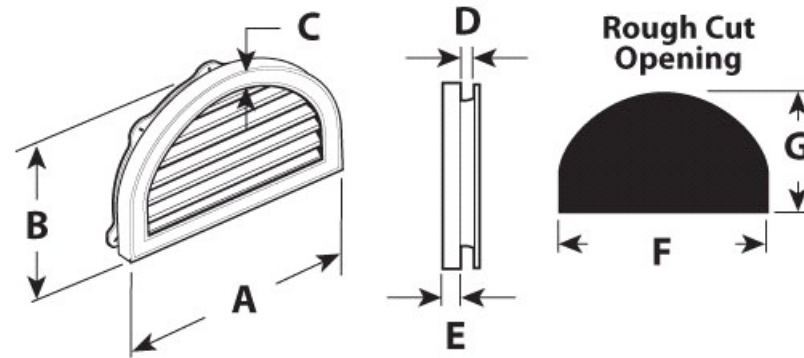


# SUBMITTAL SHEET

Part Description:  
22" X 34" HALF MOON GABLE VENT

Part Number:  
626095-00

**Canplas Industries Ltd**      **Canplas LLC**  
 500 Veterans Drive      11402 East 53rd Ave.  
 Barrie, Ontario, 1-800-461-5300      Denver, CO 1-888-461-5307



Part #	Part UPC	Color	Size (Inches)	Ctn Qty	Ctn Bar Code	Ctn Wt (Kgs)	Ctn Wt (lbs)	Skid Cubic (m)	Skid Cubic (ft)	Ctns/Skid
626095-00	662671620545	WHITE	22	5	10662671620542	10.86	23.94	2.22	78.37	8
<b>Dimensions (Inches)</b>										
A	B	C	D	E	F	G				
33.50	22.50	2.50	0.75	1.37	28.50	17.25				