



293 Wright St., Delavan, WI 53115  
 Phone: 800-365-6832  
 Fax: 800-526-3757  
 www.FlotecWater.com

OWNER'S MANUAL

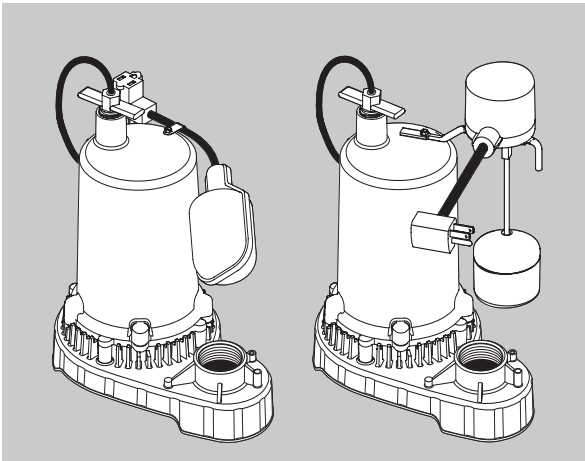
**Submersible Sump Pumps**

NOTICE D'UTILISATION

**Pompes submersibles  
 pour puisard**

MANUAL DEL USUARIO

**Bombas sumergibles  
 para sumideros**



**Models**

**FPZT7300, FPZT7350, FPZT7450, FPZT7550**

**Installation/Operation/Parts**

*For further operating,  
 installation, or maintenance  
 assistance:*

**Call 800-365-6832**

**English..... Pages 2-9**

**Installation/Fonctionnement/Pièces**

*Pour plus de renseignements  
 concernant l'utilisation,  
 l'installation ou l'entretien,*

**Composer le (800) 365-6832**

**Français ..... Pages 10-17**

**Instalación/Operación/Piezas**

*Para mayor información sobre el  
 funcionamiento, instalación o  
 mantenimiento de la bomba:*

**Llame al 800-365-6832**

**Español.....Paginas 18-25**

Description

This submersible sump pump is designed for home sumps. The permanent split capacitor motor is oil filled, sealed for cooler running, and has automatic-reset thermal protection. Ball bearings on the motor shaft never need lubrication. The power cord is a 3-wire, grounding-type cord.

Specifications

Power supply ..... 115V, 60 HZ., 15 Amp Circuit  
Liquid Temp. Range..... 32°F to 70°F(0°-21°C)  
Individual Branch Circuit Required (min.) ..... 15 Amps  
Discharge: ..... 1-1/2" Female NPT

This pump is designed for use in a residential sump only. Pump water only with this pump.

**NOTICE:** This unit is not designed as a waterfall or fountain pump, or for applications involving salt water or brine! Use with waterfalls, fountains, salt water or brine will void warranty. Do not use where water recirculates.

Not designed for use as a swimming pool drainer.

**NOTICE:** Read this owner's manual for installation, operation, and safety information.

General Safety Information

Your automatic sump pump should give years of trouble-free service when correctly installed, maintained, and used. However, interruption of power to the pump, dirt/debris in the sump, flooding that exceeds the pump's capacity, electrical or mechanical failure in the pump, etc., may prevent normal pump operation. To help prevent damage from flooding, purchase a secondary AC sump pump, a DC backup sump pump, and/or a high water alarm. See *Troubleshooting* in this manual for information about common sump pump problems and remedies. For more information, call Flotec customer service at 1-800-365-6832 or visit our website at [FlotecWater.com](http://FlotecWater.com).

**WARNING** **Hazardous voltage.** To reduce the risk of hazardous or fatal electrical shock, follow instructions A through D, below:

- A. This pump has an approved 3-conductor power cord with 3-prong, grounding-type plug. Connect the pump only to a properly grounded, 3-prong outlet. If the sump pump circuit has a 2-prong outlet, replace it with a grounded 3-prong outlet installed according to code.
- B. Unplug the pump before handling or servicing it. If your basement floor is wet, turn off all power before walking on it. If the shut-off box is in the basement, call your electric company or hydro authority to shut off service to the house, or call your local fire department for instructions. After turning off the power, remove the pump for service.

- C. Protect the electrical cords from sharp objects, hot surfaces, oil, and chemicals. Avoid kinking the cords. Replace damaged or worn cords.
- D. Do not lift the pump by the power cord.

**WARNING** **Risk of fire.** Plastic pipe glue is extremely flammable. Follow the glue manufacturer's instructions when assembling glued plastic pipe.

**WARNING** **Burn hazard.** Motors may run hot. Allow 20 minutes to cool before handling.

- 1. Know the pump application, limitations, and potential hazards.
- 2. Do not use this pump in water with fish present; oil from the motor can kill fish.
- 3. Drain the system completely before servicing it.
- 4. To prevent a flexible discharge line from whipping, which could cause injury or damage, fasten it down before starting the pump.
- 5. Before each use, check any hoses in the system for weakness or wear. Make certain that all connections are tight.
- 6. Periodically inspect the sump, the pump, and the piping for debris and foreign objects. Perform routine cleaning as required.
- 7. Personal Safety:
  - a. Wear safety glasses at all times when working with pumps.
  - b. Keep your work area clean, uncluttered and properly lighted; put away all unused tools and equipment.
  - c. Keep visitors at a safe distance from the work area.
  - d. Make workshop child-proof with padlocks and master switches. Remove any starter keys.
- 8. This pump installation must meet all applicable laws, codes, and ordinances.

**Tools Required:**

Pipe wrench, Strap Wrench, or Slip-Joint Pliers, Hacksaw, Screw Driver, File or Sandpaper

**Materials Required:**

1-1/2" ABS or PVC Pipe with Cement to match Threaded Adapter (Pipe to Pump)

Check Valve – Purchase an FP0026-10 (goes in the discharge line) or FP0026-6D (goes in the pump discharge). If your check valve does not have an 1/8" anti-airlock hole, drill one in the discharge pipe just above where it screws into the pump discharge. Be sure to install the check valve so that the flow will be away from the pump.

**California Proposition 65 Warning**

**WARNING** This product and related accessories contain chemicals known to the State of California to cause cancer, birth defects or other reproductive harm.

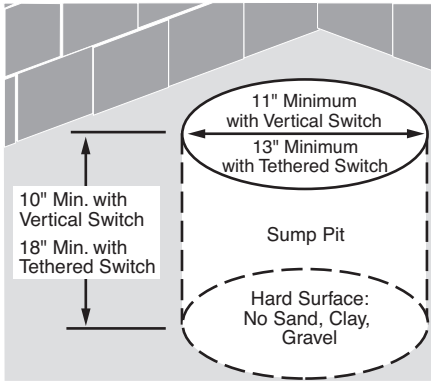


Figure 1

- 1A. Minimum sump size: 11" (279mm) diameter by 10" (254mm) depth for vertical switch models; 13" (330mm) diameter by 18" (457mm) depth for tethered switch models.
- 1B. Construct the sump pit of tile, concrete, steel, or plastic; it must meet code requirements.
- 1C. No clay, earth, sand, or gravel in the sump (they will clog the pump). Keep the pump inlet screen clear.

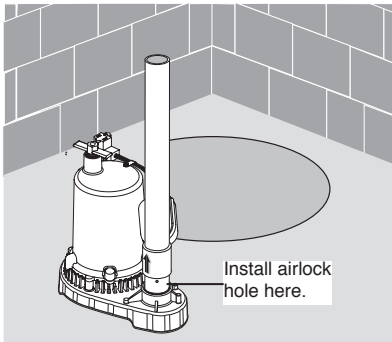


Figure 2

- 2A. Install the discharge plumbing and check valve, using PTFE pipe thread sealant tape - NOT pipe joint compound.
- 2B. Tighten the pipe into the pump (hand tight + 1-1/2 turns).
- 2C. Install a check valve in the vertical pipe to prevent flow backwards through the pump when it shuts off. To prevent airlocking the pump, drill a 1/8" (3.2 mm) hole in the discharge pipe just above where it screws into the pump discharge. Install the check valve above this hole, but keep it as close to the pump as possible. Be sure the hole is below the waterline and below the check valve.

- 2D. To reduce noise and vibration, cut the discharge pipe near the pump and fasten a short length of rubber hose (1-7/8" (48 mm) I.D., e.g. radiator hose) into it with hose clamps.
3. Place the pump in the sump; make sure that nothing interferes with switch operation. For tethered switch models, the tether length should be 3-1/2" (See Figure 3).

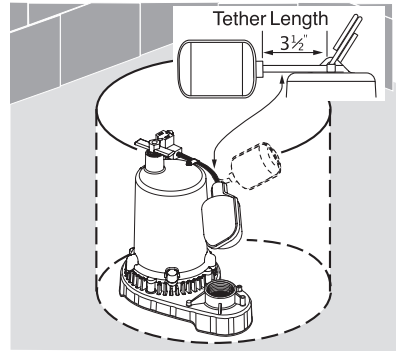
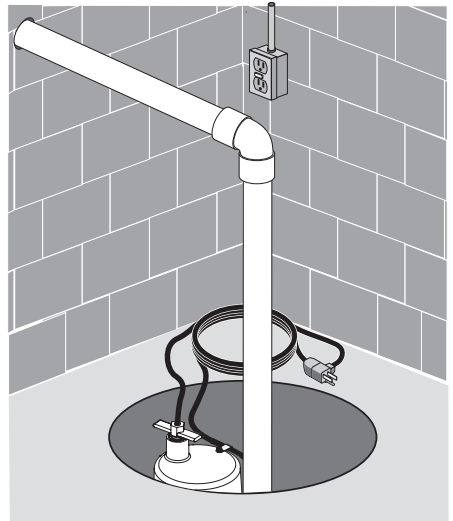


Figure 3

4. Finish installing the necessary plumbing. Follow the glue manufacturer's instructions for safety precautions and curing time.



**⚠ CAUTION Risk of flooding.** Make sure the pump cannot move in the sump. If the pump moves when it runs, the piping or sump wall may interfere with the switch and prevent the pump from starting or stopping.

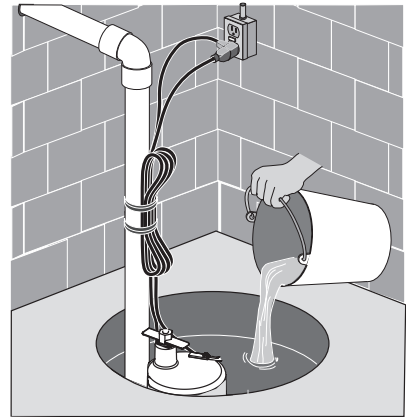
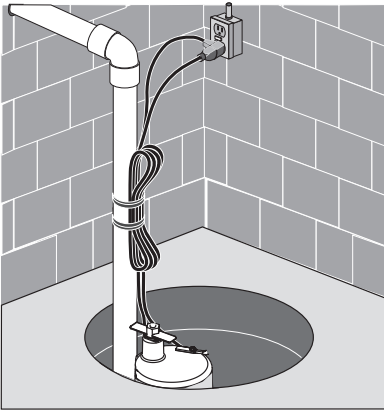


Figure 5

5. **Power Supply:** This pump requires a 115 V., 60 Hz., 15 amp individual branch circuit. The circuit must be grounded and should be dedicated to the sump pump. The pump is supplied with a 3-wire cord set with grounding-type plug. Plug the switch directly into the outlet and plug the pump into the opposite end of the switch's plug.
 

**⚠ WARNING Shock hazard.** Always ground the pump to a suitable electrical ground, such as a grounded water pipe, a properly grounded metallic raceway, or a ground wire system. Do not cut off the round ground pin.

6. After you have installed the piping, check valve, and float switch, the pump is ready for operation. Check the pump by filling the sump with water and observing the pump's operation through one complete cycle. For switch settings see *Electrical and Switch Specifications*.
 

**⚠ CAUTION Risk of flooding.** Failure to make this operational check may lead to improper operation, premature failure, and flooding.

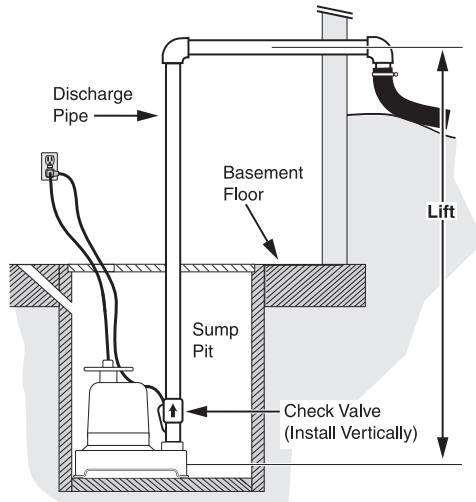
1. The shaft seal depends on water for lubrication. Do not operate the pump unless it is submerged in water; running it dry may damage the seal.
2. If the pump overheats, an automatic-reset thermal protector cuts off the power and stops the motor before it can be damaged. The motor will automatically restart when it cools. If the protector trips repeatedly, unplug the pump, remove it from the sump, and check it for the cause of the difficulty. Low voltage, long extension cords, clogged impeller, very low lift, a plugged or frozen discharge pipe, etc., can all cause cycling and overheating.
3. This pump will not remove all the water in the sump (see off switch setting, below). If you are running the pump manually and water stops coming out of the discharge, the pump has probably run dry. Shut it off immediately and check the water level.

Performance

Model	GPH at total feet of lift					No flow at height shown below
	5 ft.	10 ft.	15 ft.	20 ft.	25 ft.	
	Capacity Gallons/Hour					
FPZT7300	5100	4140	2940	1380	-	23 ft.
FPZT7350						
FPZT7450	5460	4500	3420	2100	420	26 ft.
FPZT7550	5880	4980	4020	2880	1500	29 ft.

Electrical and Switch Specifications

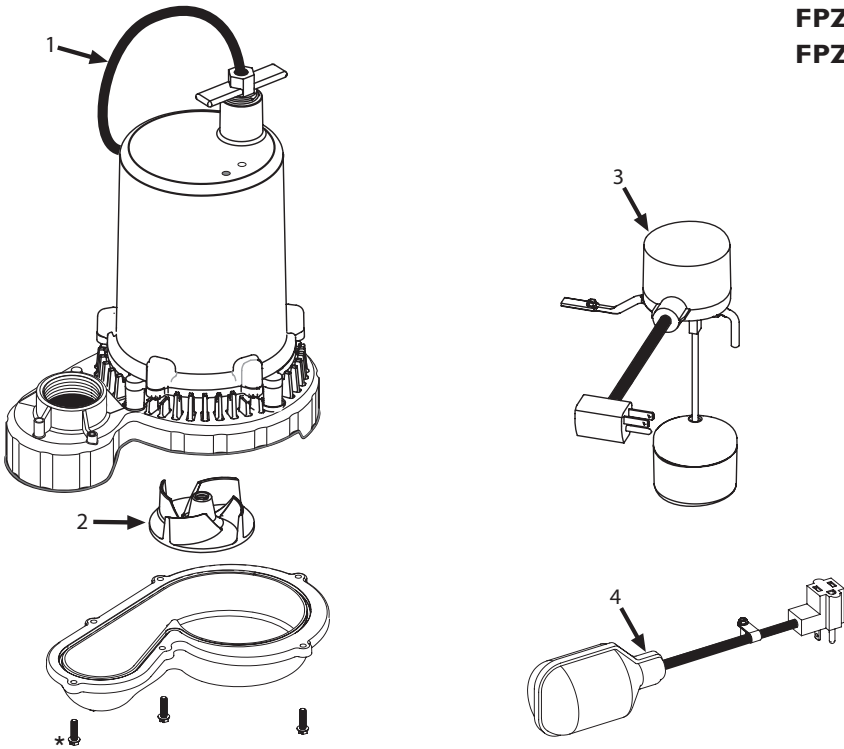
Model	Motor HP	Motor Full Load Amps	Individual Branch Circuit Req. (Amps)	*Switch Setting in Inches Water Level For:	
				On	Off
FPZT7300	1/2	7.3	15	13-1/2"	4-1/2"
FPZT7350					
FPZT7450	3/4	7.5		7-1/2"	3"
FPZT7550	1	7.9			



**Figure 7 – LIFT:** The vertical distance the pump actually lifts water. The higher the lift, the lower the flow.

**NOTICE** The friction caused by water running through the pipe will also, on longer pipe runs, reduce the flow. Pipe smaller than the pump discharge also reduces flow.

FPZT7300  
 FPZT7350  
 FPZT7450  
 FPZT7550



Ref.	Part Description	Qty.	FPZT7300	FPZT7350	FPZT7450	FPZT7550
1	Power Cord Assembly	1	PS17-54	PS17-54	PS17-54	PS17-54
2	Impeller <sup>1</sup>	1	PS5-33P	PS5-33P	PS5-34P	PS5-35P
3	Vertical Float Switch Assembly	1	-	FPD17-66-P2	FPD17-66-P2	FPD17-66-P2
4	Tethered Float Switch Assembly	1	FP18-15BD	-	-	-

**NOTICE** If motor fails, replace entire pump.

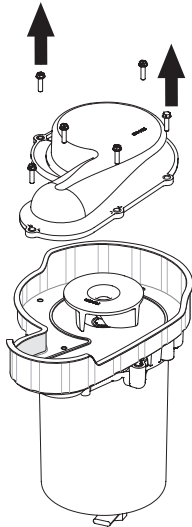
<sup>1</sup> See Page 8 for impeller replacement instructions.

\*All fasteners are #8-32 x 1/2" stainless steel. Purchase locally.

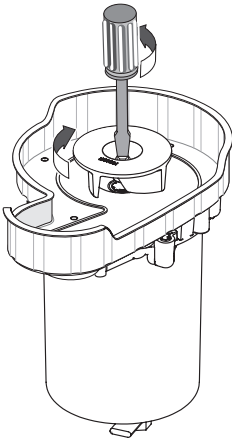
**⚠️ WARNING** Risk of electrical shock. Unplug the pump before touching it or servicing it.

Symptom	Probable Cause(s)	Corrective Action
Pump won't start or run.	Pump is not plugged in.	Make sure the pump is plugged into a proper outlet.
	Blown fuse.	Replace the fuse with a fuse of proper size.
	Low line voltage.	Check the size of the wiring on the circuit feeding the pump and from the main switch on the property. If everything is OK, contact your power company or hydro authority.
	Defective motor.	Replace the pump.
	Defective float switch.	Replace the float switch.
Pump starts and stops too often.	Backflow of water from piping.	Install or replace the check valve.
	Faulty switch.	Replace the switch.
Pump won't shut off.	Defective switch.	Replace the switch, after first checking that switch is functional.
	Restricted discharge (obstacle or ice in the piping).	Unplug the pump, remove it from the sump, and clean the pump and piping.
	Restricted intake screen.	Unplug the pump, remove it from the sump, and clean the intake screen and impeller.
Pump operates but delivers little or no water.	Low line voltage.	If the voltage is below 110 volts, check the size of the wiring from the main switch on the property. If OK, contact your power company or hydro authority.
	Debris caught in the impeller.	Remove the pump and clean out the impeller.
	Worn or defective parts or plugged impeller.	Clean the impeller if it's plugged; replace the impeller if necessary; otherwise replace the pump.
	Check valve installed without vent hole	Drill a 1/8" (3mm) dia. hole between the pump discharge and the check valve (1-2" above the pump discharge and below the waterline).
	Restricted intake screen.	Remove the pump and clean out the intake screen.
Check valve is installed either backward or upside down.	Be sure the check valve is installed correctly (the flow arrow should point away from the pump).	

**First:** Turn off power to the pump, disconnect the discharge piping, and lift the pump out of the sump BY THE HANDLE ON TOP OF THE MOTOR (not by the cord).

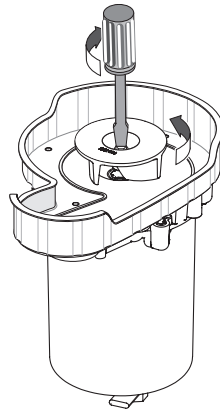


**Step 1:** Turn pump upside down, holding motor to base and lift motor off base. Remove six bottom screws; take off lower volute.

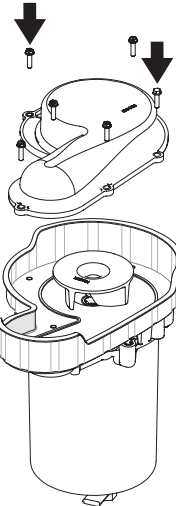


**Step 2:** Hold the motor shaft with a screwdriver and unscrew the impeller as shown.

**NOTICE** The impeller has a left-hand thread, so it loosens to the right (↻).



**Step 3:** Thread the new impeller onto the motor shaft as shown (left-hand thread – tightens to the left ↻).



**Step 4:** With the pump upside down, reinstall lower volute, ensuring arrows and rib indicators are aligned. Re-mount the motor on the base. Be sure to mount it so that the switch is clear of the discharge and all other obstructions in the sump.

**Last:** Run the pump through one complete cycle after it is assembled and reinstalled. It should operate correctly and you should not hear any sounds of scraping or dragging from the pump.



Retain Original Receipt for Warranty Eligibility

Limited Warranty

This Limited Warranty is effective June 1, 2011 and replaces all undated warranties and warranties dated before June 1, 2011. FLOTEC warrants to the original consumer purchaser ("Purchaser" or "You") that its products are free from defects in material and workmanship for a period of twelve (12) months from the date of the original consumer purchase. If, within twelve (12) months from the original consumer purchase, any such product shall prove to be defective, it shall be repaired or replaced at FLOTEC's option, subject to the terms and conditions set forth herein. Note that this limited warranty applies to manufacturing defects only and not to ordinary wear and tear. All mechanical devices need periodic parts and service to perform well. This limited warranty does not cover repair when normal use has exhausted the life of a part or the equipment.

The original purchase receipt and product warranty information label are required to determine warranty eligibility. Eligibility is based on purchase date of original product – not the date of replacement under warranty. The warranty is limited to repair or replacement of original purchased product only, not replacement product (i.e. one warranty replacement allowed per purchase). Purchaser pays all removal, installation, labor, shipping, and incidental charges.

For parts or troubleshooting assistance, DO NOT return product to your retail store - contact FLOTEC Customer Service at 1-800-365-6832.

Claims made under this warranty shall be made by returning the product (except sewage pumps, see below) to the retail outlet where it was purchased or to the factory immediately after the discovery of any alleged defect. FLOTEC will subsequently take corrective action as promptly as reasonably possible. No requests for service will be accepted if received more than 30 days after the warranty expires. Warranty is not transferable and does not apply to products used in commercial/rental applications.

Sewage Pumps

DO NOT return a sewage pump (that has been installed) to your retail store. Contact FLOTEC Customer Service. Sewage pumps that have seen service and been removed carry a contamination hazard with them.

If your sewage pump has failed:

- Wear rubber gloves when handling the pump;
• For warranty purposes, return the pump's cord tag and original receipt of purchase to the retail store;
• Dispose of the pump according to local disposal ordinances.

Exceptions to the Twelve (12) Month Limited Warranty

Table with 2 columns: Product - Model and Warranty Period. Rows include models like FPOF360AC, FPOFDC (90 days); FPOS1775A, FPOS1790PCA, FPOS2400A, FPOS2450A, FPOS4100X, FP2800DCC, FPCP-20ULST, FPPSS3000, FPSC2150A, FPSC3150A, FPSC3350A (2 Years); 4" Submersible Well Pumps, FPOS3200A, FPOS3250A, FPOS6000A, FPSC1725X, FPSC2200A, FPSC2250A, FPSE3601A, FPPSS5000, FPZT7300, FPZT7350, FPZT7450, FPZT7550 (3 Years); FP7100 Series Pressure Tanks, E100ELT, E3305TLT, E3375TLT, E5005TLTT, E50TLT, E50VLT, E75STVT, E75VLT, FPSC3200A, FPSC3250A, FPSC4550A (5 Years).

General Terms and Conditions; Limitation of Remedies

You must pay all labor and shipping charges necessary to replace product covered by this warranty. This warranty does not apply to the following: (1) acts of God; (2) products which, in FLOTEC's sole judgment, have been subject to negligence, abuse, accident, misapplication, tampering, or alteration; (3) failures due to improper installation, operation, maintenance or storage; (4) atypical or unapproved application, use or service; (5) failures caused by corrosion, rust or other foreign materials in the system, or operation at pressures in excess of recommended maximums.

This warranty sets forth FLOTEC's sole obligation and purchaser's exclusive remedy for defective products.

FLOTEC SHALL NOT BE LIABLE FOR ANY CONSEQUENTIAL, INCIDENTAL, OR CONTINGENT DAMAGES WHATSOEVER.

THE FOREGOING LIMITED WARRANTIES ARE EXCLUSIVE AND IN LIEU OF ALL OTHER EXPRESS AND IMPLIED WARRANTIES, INCLUDING BUT NOT LIMITED TO IMPLIED WARRANTIES OF MERCHANTABILITY AND FITNESS FOR A PARTICULAR PURPOSE. THE FOREGOING LIMITED WARRANTIES SHALL NOT EXTEND BEYOND THE DURATION PROVIDED HEREIN.

Some states do not allow the exclusion or limitation of incidental or consequential damages or limitations on how long an implied warranty lasts, so the above limitations or exclusions may not apply to You. This warranty gives You specific legal rights and You may also have other rights which vary from state to state.

FLOTEC • 293 Wright Street • Delavan, WI U.S.A. 53115
Phone: 800-365-6832 • Fax: 800-526-3757 • www.FlotecWater.com

## Description

Cette pompe submersible est conçue pour être utilisée dans un puisard domestique. Le moteur à condensateur permanent est étanche et rempli d'huile pour moins chauffer pendant sa rotation. Il est également doté d'une protection thermique contre les surcharges à réarmement automatique. Les roulements à billes de l'arbre du moteur ne requièrent aucun graissage. Le cordon électrique est à 3 conducteurs, dont un de mise à la terre.

## Caractéristiques

Courant d'alimentation..... 115 volts, 60 Hz, 15 A  
Plage des températures

du liquide ..... De 0 ° à 21 °C (de 32 ° à 70 °F)

Circuit individuel requis (min.)..... 15 ampères

Refoulement : ..... 1 1/2 pouce NPT femelle

Cette pompe est conçue pour être utilisée dans un puisard résidentiel. Ne pomper que de l'eau avec cette pompe.

**AVIS :** Cette pompe n'est pas conçue pour être utilisée en tant que pompe de fontaine ou de chute d'eau ni dans des eaux salées ou de saumure! Son utilisation avec une chute d'eau, une fontaine, de l'eau salée ou de saumure annulera la garantie.

Ne pas utiliser où de l'eau recircule.

Cette pompe n'est pas conçue pour vider les piscines.

**AVIS :** Lire attentivement cette Notice d'utilisation pour l'installation, le fonctionnement et les consignes de sécurité.

## Consignes de sécurité générales

Cette pompe de puisard à fonctionnement automatique fournira de nombreuses années de service sans incident si elle est posée, entretenue et utilisée adéquatement.

Toutefois, certaines circonstances inhabituelles (interruption du courant alimentant la pompe, saletés, débris dans le puisard, inondation dépassant le débit de la pompe, pannes mécaniques ou électriques de la pompe, etc., peuvent empêcher la pompe de fonctionner normalement. Pour empêcher toute possibilité de dommages causés par l'eau suite à une inondation, acheter une pompe de puisard secondaire fonctionnant sur le courant alternatif, une pompe de puisard de secours fonctionnant sur le courant continu ou une alarme de niveau haut d'eau. Se reporter au « *Tableau de recherche des pannes* » de cette Notice pour tout renseignement concernant les problèmes courants des pompes de puisard et comment y remédier. Pour de plus amples renseignements, appeler le Service à la clientèle Flotec en composant le 1 (800) 365-6832 ou bien visiter notre site web [FlotecWater.com](http://FlotecWater.com).

**⚠ AVERTISSEMENT Tension dangereuse.** Pour réduire les risques de secousses électriques dangereuses, voire mortelles, observer les instructions A à D qui suivent :

- Cette pompe est munie d'un cordon électrique approuvé à 3 conducteurs muni d'une fiche à 3 broches, dont une de mise à la terre. Brancher le cordon dans une prise de courant à 3 trous adéquatement mise à la terre. Si la prise de courant du circuit de cette pompe ne comporte que 2 trous, la faire remplacer par une à 3 trous, dont un de mise à la terre, installée conformément au code.
- Débrancher la pompe avant de la manipuler ou de l'entretenir. Si le plancher du sous-sol est humide, ne pas marcher dessus tant que le courant n'aura pas été coupé. Si le coffret des disjoncteurs se trouve au sous-sol, appeler la compagnie d'électricité pour lui demander de couper le branchement de l'habitation,

ou bien appeler le Service des incendies local pour de plus amples renseignements. Après avoir coupé le courant qui alimente la pompe de puisard, la sortir pour l'entretenir.

- Protéger le cordon électrique contre les objets tranchants, les surfaces chaudes, l'huile et les produits chimiques. Éviter de le tordre. Le remplacer ou le réparer immédiatement s'il est usé ou endommagé.
- Ne pas lever la pompe par son cordon électrique.

**⚠ AVERTISSEMENT Risque de inflammable.** La colle pour tuyaux plastiques est extrêmement inflammable. Pour coller des tuyaux en plastique, suivre le mode d'emploi du fabricant de la colle.

**⚠ AVERTISSEMENT Risque de brûlures.** Les moteurs modernes fonctionnent par des températures élevées. Les laisser refroidir pendant 20 minutes avant de les manipuler.

- Il faut connaître les utilisations de la pompe, ses limites et les dangers potentiels que présente son utilisation.
- Ne pas utiliser cette pompe s'il y a présence de poissons dans l'eau. Une fuite d'huile provenant du moteur pourrait tuer les poissons.
- Vider toute l'eau contenue dans le système avant de procéder à son entretien.
- Pour empêcher que le tuyau de refoulement se mette à fouetter, ce qui risquerait de causer des blessures ou des dommages, l'attacher avant de démarrer la pompe.
- Chaque fois, et avant d'utiliser la pompe, s'assurer que les tuyaux souples ne montrent pas de signes d'usure ou de faiblesse et s'assurer que tous les raccords sont bien serrés.
- Inspecter périodiquement le puisard, la pompe et la tuyauterie à la recherche de débris et de corps étrangers. Au besoin, prévoir à un entretien périodique.
- Sécurité personnelle :
  - Toujours porter des lunettes de sécurité pour intervenir sur une pompe.
  - Garder la zone de travail propre, non encombrée et bien éclairée; remettre en place tous les outils et tous les équipements que l'on n'utilise plus.
  - Empêcher les visiteurs de s'approcher de la zone de travail.
  - La zone de travail doit être à l'épreuve des enfants en posant des cadenas, des interrupteurs principaux ou en retirant la clé des démarreurs.
- L'installation de cette pompe doit être conforme à toutes les lois, codes et décrets en vigueur.

## Outils requis :

Clé à tuyaux, clé à courroie ou pince multiprise, Scie à métaux  
Tournevis  
Lime ou papier abrasif

## Matériaux requis :

Tuyau en ABS ou en PCV de 1 1/2 pouce et de la colle  
Un adaptateur fileté (tuyau sur pompe)

Clapet antiretour – Acheter un FP0026-10 (se pose sur la conduite de refoulement) ou FP0026-6D (se pose sur le refoulement de la pompe). Si le clapet antiretour n'est pas percé d'un trou antibouchon d'air de 1/8 de pouce, en percer un dans le tuyau de refoulement, juste au-dessus où il se visse dans le refoulement de la pompe. S'assurer de poser le clapet antiretour de façon que la flèche indiquant le sens du débit soit orientée à l'opposé de la pompe.

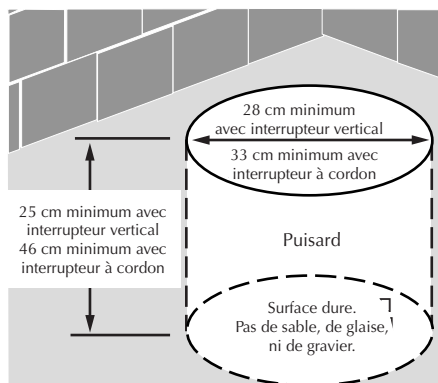


Figure 1

- 1A. Diamètre minimum du puisard : 27,9 cm (11 pouces) de diamètre par 25,4 cm (10 pouces) de profondeur pour les modèles à interrupteur vertical; 33 cm (13 pouces) de diamètre par 45,7 cm (18 pouces) pour les modèles à interrupteur à cordon.
- 1B. Construction du puisard : en carreaux, en béton, en acier ou en plastique, conformément aux codes.
- 1C. Pas de glaise, de terre, de sable ni de gravier dans le puisard (ils boucheront la pompe). La crépine d'aspiration de la pompe doit toujours être dégagée.

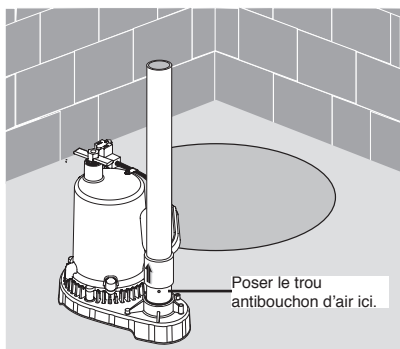


Figure 2

- 2A. Brancher le tuyau de refoulement et le clapet antiretour en utilisant du ruban d'étanchéité en PTFE pour filetage – PAS de pâte pour raccords filetés.
- 2B. Visser le tuyau de refoulement dans la pompe (à la main, + 1 1/2 tour).
- 2C. Installer le clapet antiretour sur le tuyau vertical pour que le liquide ne retourne pas dans la pompe pendant qu'elle est arrêtée. Pour empêcher la formation de bouchons d'air dans la pompe; percer un trou de 3,2 mm (1/8 de pouce) dans le tuyau de refoulement, juste au-dessus où il se visse dans le refoulement de la pompe. Poser le clapet antiretour au-dessus de ce trou et aussi près que possible de la pompe. S'assurer que le trou est plus bas que la ligne d'eau et que le clapet antiretour.
- 2D. Pour réduire le bruit et les vibrations, couper le tuyau de refoulement près de la pompe, puis poser un petit morceau de tuyau en caoutchouc (un morceau de durite de radiateur (4,8 cm (1-7/8 pouces), par ex.) sur le tuyau de refoulement; le faire tenir avec des colliers.

3. Mettre la pompe dans les puisards en s'assurant que rien ne gênera le fonctionnement de l'interrupteur. Pour les modèles d'interrupteur à cordon, la longueur du cordon devrait être de 9 cm (Se reporter à la figure 3).

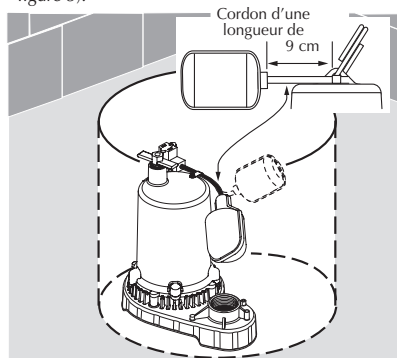


Figure 3

4. Terminer l'installation de la tuyauterie. En ce qui concerne les consignes de sécurité et les temps de séchage de la colle, se reporter au mode d'emploi du fabricant.

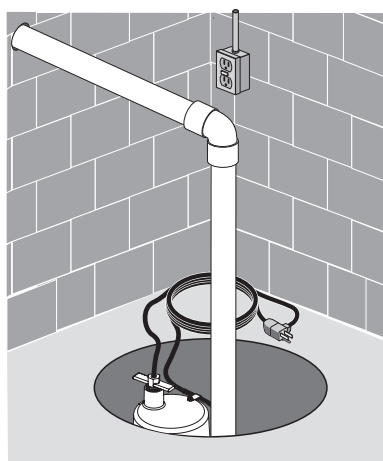


Figure 4

**⚠ ATTENTION** **Risque d'inondation.** S'assurer que la pompe ne peut pas se déplacer dans le puisard. Si la pompe se déplace pendant qu'elle fonctionne, les tuyaux ou la paroi du puisard risquent de gêner le fonctionnement de l'interrupteur et empêcher la pompe de démarrer ou de s'arrêter.

### Avertissement lié à la Proposition 65 de la Californie

**⚠ AVERTISSEMENT** Ce produit et les accessoires connexes contiennent des produits chimiques reconnus dans l'État de la Californie comme pouvant provoquer des cancers, des anomalies congénitales ou d'autres dangers relatifs à la reproduction.

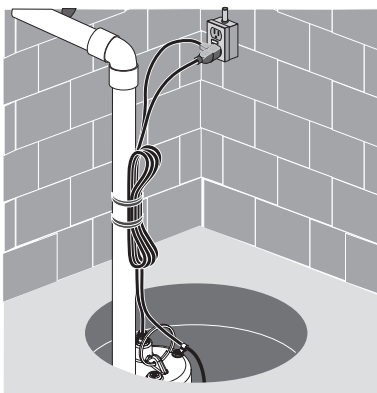


Figure 5

5. **Courant d'alimentation :** Cette pompe doit être branchée sur un circuit séparé de 15 ampères, 115 volts, 60 Hz. Le circuit doit être mis à la terre et réservé exclusivement au branchement de cette pompe de puisard. La pompe est livrée avec un cordon électrique à 3 conducteurs muni d'une fiche mise à la terre. Brancher l'interrupteur directement dans la prise de courant, puis la pompe à l'arrière de la prise de l'interrupteur.

**⚠ AVERTISSEMENT** **Risque de secousses électriques.**

Toujours mettre la pompe à la terre sur une terre électrique adéquate, comme un tuyau d'eau mis à la terre ou un chemin de câbles métallique adéquatement mis à la terre ou un système de fils de mise à la terre. Ne jamais couper la broche ronde de mise à la terre.

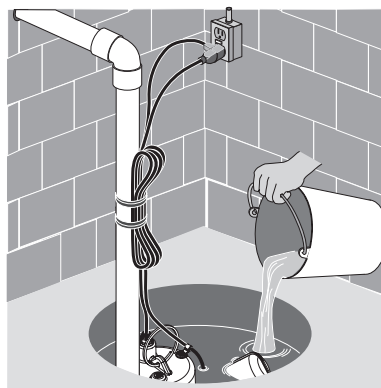


Figure 6

6. Après avoir branché la tuyauterie, le clapet antiretour et l'interrupteur à flotteur, la pompe est prête à fonctionner.

Vérifier le fonctionnement de la pompe en remplissant le puisard et en observant son fonctionnement sur un cycle complet. Pour les réglages de l'interrupteur, se reporter au « *Tableau des caractéristiques électriques et de l'interrupteur* ».

**⚠ ATTENTION** **Risque d'inondation.** Ne pas procéder à cette vérification risque de causer un fonctionnement inadéquat, et une panne prématurée de la pompe, voire une inondation.

1. Le joint de l'arbre dépend de l'eau pour être lubrifié. Ne pas faire fonctionner la pompe si elle n'est pas immergée dans l'eau, sinon le joint de l'arbre sera endommagé.
2. Si la pompe surchauffe, un protecteur contre les surcharges thermiques à réenclenchement automatique coupera le courant et arrêtera le moteur de fonctionner avant qu'il soit endommagé. Dès qu'il aura refroidi, le moteur redémarrera automatiquement. Si le protecteur se déclenche constamment, débrancher la pompe, la sortir du puisard et rechercher la cause de cet incident. Une

basse tension et l'utilisation d'un cordon prolongateur trop long, un impulseur colmaté, une hauteur de refoulement très basse, un tuyau de refoulement bouché ou gelé, etc., risquent de causer cet incident ou la surchauffe.

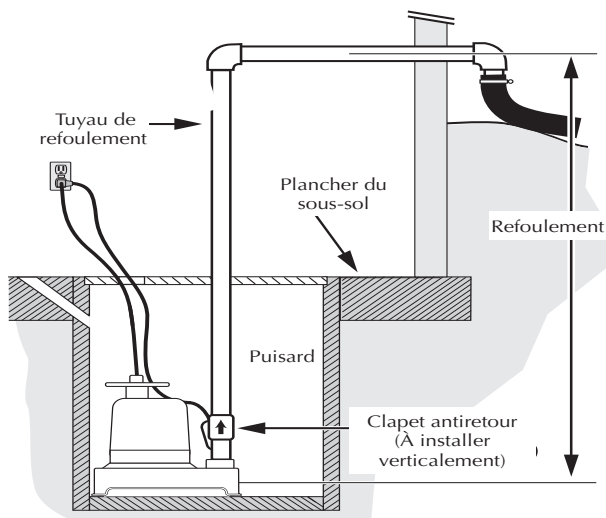
3. Cette pompe ne videra pas toute l'eau du puisard. Si on la fait fonctionner manuellement et que l'eau ne sort plus par le tuyau de refoulement, la pompe a probablement fonctionné à sec (se reporter aux réglages de l'interrupteur d'arrêt, ci-dessous). L'arrêter immédiatement et vérifier le niveau d'eau.

## Debits

LPH à la hauteur totale de refoulement						
Modèle	1.5 m	3 m	4.6 m	6.1 m	7.6 m	Aucun débit aux hauteurs indiquées ci-dessous
	Débits LPH					
FPZT7300	19306	15672	11129	5224	-	7 m
FPZT7350						
FPZT7450	20668	17034	12946	7949	1590	7.9 m
FPZT7550	22258	18851	15217	10902	5678	8.8 m

## Caractéristiques électriques et de l'interrupteur

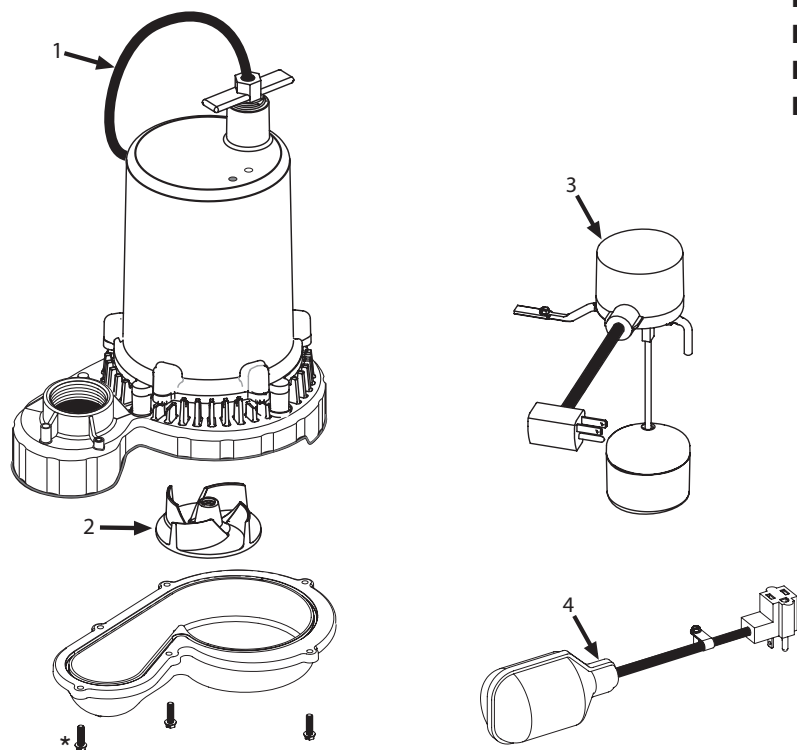
Modèle	ch	Ampères à pleine charge des moteurs	Circuit séparé requis (A)	*Réglages de l'interrupteur (en cm) Niveaux de l'eau pour :	
				Marche	Arrêt
FPZT7300	1/2	7,3	15	34 cm	11,4cm
FPZT7350				19 cm	7,6 cm
FPZT7450	3/4	7,5			
FPZT7550				1	7,9



**Figure 7 – REFOULEMENT :** C'est la distance verticale à laquelle la pompe refoulera l'eau. Plus le refoulement est haut, moins la pompe débite.

**AVIS :** Sur de grandes longueurs de tuyaux, le frottement de l'eau circulant dans les tuyaux diminuera le débit. Un tuyau de diamètre inférieur à celui du refoulement de la pompe diminuera également le débit.

**FPZT7300**  
**FPZT7350**  
**FPZT7450**  
**FPZT7550**



Ref.	Désignation des pièces	Qté	FPZT7300	FPZT7350	FPZT7450	FPZT7550
1	Cordon électrique	1	PS17-54	PS17-54	PS17-54	PS17-54
2	Impulseur†	1	PS5-33P	PS5-33P	PS5-34P	PS5-35P
3	Interrupteur à flotteur vertical	1	-	FPS17-66-P2	FPS17-66-P2	FPS17-66-P2
4	Interrupteur à flotteur à cordon	1	FP18-15BD	-	-	-

**AVIS** : Si le moteur tombe en panne, remplacer toute la pompe.

† Se reporter à la page 16 pour le remplacement de l'impulseur.

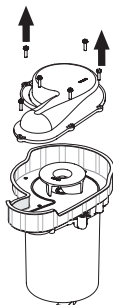
\* Toutes les fixations sont de calibre 8-32 x 1/2 po en acier inoxydable. À acheter localement.

## Tableau de diagnostic des pannes

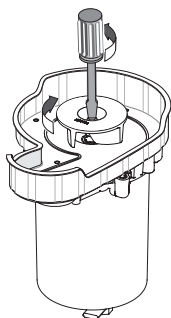
**AVERTISSEMENT** Tension dangereuse. Avant d'intervenir sur la pompe ou de la toucher, la débrancher.

Incidents	Causes possibles	Remèdes
La pompe ne démarre pas ou ne fonctionne pas.	Elle n'est pas branchée.	S'assurer que la pompe est branchée dans une prise de courant appropriée.
	Le fusible est sauté.	Le remplacer par un fusible de calibre adéquat.
	Tension de ligne basse.	Si la tension est inférieure à la tension minimum recommandée, vérifier le calibre du câblage côté disjoncteur principal de la propriété. Si tout est correct, s'adresser à la compagnie d'électricité.
	Moteur défectueux.	Remplacer la pompe.
	Interrupteur à flotteur défectueux.	Le remplacer.
	Impulseur bouché ou grippé.	Si l'impulseur ne tourne pas, débrancher la pompe, déposer son corps inférieur et trouver la source de grippage. Au besoin, remplacer l'impulseur.
	Flotteur obstrué.	Déplacer la pompe dans le puisard ou enlever l'obstruction.
La pompe démarre et s'arrête trop souvent.	Circulation à contre-courant de l'eau dans les tuyaux.	Poser un clapet antiretour ou remplacer l'ancien.
	Interrupteur à flotteur défectueux.	Le remplacer.
La pompe ne s'arrête pas.	Interrupteur à flotteur défectueux.	Le remplacer.
	Refolement obstrué (obstruction ou présence de glace dans les tuyaux).	Débrancher la pompe, la sortir du puisard, puis nettoyer ainsi que les tuyaux.
	Flotteur obstrué.	Déplacer la pompe dans le puisard ou enlever l'obstruction.
La pompe fonctionne mais débite que très peu ou pas du tout.	Crépine d'aspiration obstruée.	Débrancher la pompe, la sortir du puisard, puis nettoyer la crépine d'aspiration et l'impulseur.
	Tension de ligne basse.	Si la tension est inférieure à 110 volts, vérifier le calibre du câblage côté disjoncteur principal de la propriété. Si tout est correct, s'adresser à la compagnie d'électricité.
	Corps étrangers coincés dans l'impulseur.	Sortir la pompe du puisard et nettoyer l'impulseur.
	Pièces usées ou défectueuses ou impulseur bouché.	Nettoyer l'impulseur s'il est bouché; le remplacer au besoin; sinon, remplacer la pompe.
	Clapet antiretour ne comportant pas de trou de purge d'air.	Percer un trou de 3 mm (1/8 de pouce) de diamètre entre le tuyau de refolement de la pompe et le clapet antiretour (entre 2,5 et 5 cm [1 et 2 pouces] au-dessus du refolement de la pompe, mais sous la ligne.
	Crépine d'aspiration obstruée.	Sortir la pompe du puisard et nettoyer la crépine d'aspiration.
Clapet antiretour installé à l'envers.	S'assurer que le clapet antiretour est installé comme il faut (la flèche indiquant le sens du débit doit être orientée à l'opposé de la pompe).	

**Premièrement** : Couper le courant alimentant la pompe, débrancher le tuyau de refoulement, puis sortir la pompe du puisard EN LA SOULEVANT PAR SA POIGNÉE (pas par le cordon).



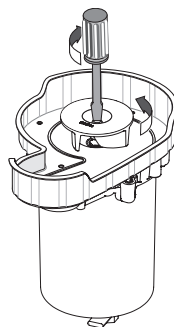
**Étape 1** : Déposer les trois vis de fixation du moteur sur le socle, puis dessolidariser le moteur du socle



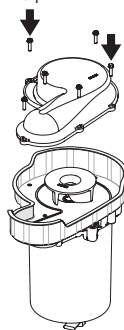
(TRANSLATION CORRECTION REQUIRED).

**Étape 2** : Immobiliser l'arbre du moteur avec un tournevis, puis dévisser l'impulseur comme illustré.

**AVIS** : Le filetage de l'impulseur à gauche, il faut donc le tourner à droite (↻) pour le dévisser.



**Étape 3** : Visser l'impulseur neuf sur l'arbre du moteur comme il est illustré (filetage à gauche – il faut donc le tourner à gauche (↻) pour le visser.



**Étape 4** : Remonter le moteur sur le socle. S'assurer de le monter de façon que l'interrupteur à flotteur ne soit pas en face du refoulement ni de toutes autres obstructions pouvant se trouver dans le puisard (TRANSLATION CORRECTION REQUIRED).

**Enfin** : Faire fonctionner la pompe sur un cycle complet après l'avoir remontée et réinstallée. Elle devrait fonctionner correctement et on ne doit pas entendre de bruit de frottement provenant de la pompe.



## Conserver le reçu de caisse original aux fins d'admissibilité à la garantie

### Garantie limitée

La présente garantie limitée est entrée en vigueur le 1er juin 2011 et remplace toute garantie non datée ou antérieure à cette date. FLOTEC garantit à l'acheteur/au consommateur d'origine (l'Acheteur) que ses produits sont exempts de tout vice de matériau et de fabrication. Cette garantie est valable pendant douze (12) mois à partir de la date d'achat d'origine. Si, dans les douze (12) mois suivant la date d'achat d'origine, un produit se révèle défectueux, il doit être réparé ou remplacé, à la discrétion de FLOTEC, selon les modalités énoncées aux présentes. Il est à noter que la présente garantie limitée s'applique aux défauts de fabrication seulement. Elle ne couvre pas l'usure normale. Tout dispositif mécanique doit faire l'objet d'un entretien périodique pour veiller à son bon fonctionnement. La présente garantie limitée ne couvre pas les réparations attribuables à l'usure normale d'une pièce ou de l'équipement.

Le reçu de caisse original et l'étiquette d'information sur la garantie sont nécessaires pour déterminer l'admissibilité à la garantie. Cette dernière est établie en fonction de la date d'achat de l'article et non de la date de son remplacement sous garantie. La garantie se limite à la réparation ou au remplacement de l'article original seulement et ne couvre pas l'article de rechange (c.-à-d. un article remplacé sous garantie par achat). L'Acheteur assume les frais de retrait, d'installation, de transport et tous les frais accessoires.

Pour obtenir des pièces ou de l'aide technique, NE PAS retourner le produit au détaillant. Contacter le service à la clientèle de FLOTEC au 1 800 365-6832.

Toute demande de règlement en vertu de la présente garantie doit être faite en retournant l'article (à l'exception des pompes de puisard; voir la marche à suivre ci-dessous) au magasin où celui-ci a été acheté ou à l'usine dès qu'une défectuosité est soupçonnée. FLOTEC prendra les mesures correctives nécessaires dans un délai rapide et raisonnable. Aucune demande de réparation ne sera acceptée plus de 30 jours après l'expiration de la garantie.

La garantie ne peut être cédée et ne s'applique pas aux produits utilisés à des fins commerciales ou de location.

### Pompes d'eaux d'égout

NE PAS RETOURNER une pompe d'eaux d'égout (qui a été installée) au détaillant. Communiquer avec le service à la clientèle de FLOTEC. Les pompes d'eaux d'égout qui ont été utilisées, puis retirées présentent un risque de contamination.

En cas de défaillance de la pompe d'eaux d'égout :

- Porter des gants en caoutchouc pour manipuler la pompe.
- À des fins de garantie, retourner l'étiquette figurant sur le cordon de la pompe et l'original du reçu au détaillant.
- Mettre la pompe au rebut conformément à la réglementation locale.

### Exceptions à la garantie limitée de douze (12) mois

Produit	Période de garantie
FP0F360AC, FP0FDC	90 jours
FP0S1775A, FP0S1790PCA, FP0S2400A, FP0S2450A, FP0S4100X, FP2800DCC, FPCP-20ULST, FPPSS3000, FPSC2150A, FPSC3150A, FPSC3350A	2 ans
Pompes de puits submersibles de 10,2 cm (4 po), FP0S3200A, FP0S3250A, FP0S6000A, FPSC1725X, FPSC2200A, FPSC2250A, FPSE3601A, FPPSS5000, FPZT7300, FPZT7350, FPZT7450. FPZT7550	3 ans
Réservoir préchargé de système d'eau (gamme FP7100), E100ELT, E3305TLT, E3375TLT, E5005TLT, E50TLT, E50VLT, E75STVT, E75VLT, FPSC3200A, FPSC3250A, FPSC4550A	5 ans

### Modalités générales et restriction des recours

L'Acheteur doit payer tous les frais de main d'œuvre et de transport nécessaires au remplacement du produit garanti couvert par cette garantie. Cette garantie ne s'applique pas à ce qui suit : (1) Les catastrophes naturelles; (2) Les produits qui, selon FLOTEC, ont fait l'objet d'une négligence, d'une utilisation abusive, d'un accident, d'une mauvaise application ou d'une altération; (3) Les défaillances dues à une installation, une utilisation, un entretien ou un entreposage inappropriés; (4) Une application, une utilisation ou une réparation atypique ou non approuvée; (5) Les défaillances causées par la corrosion, la rouille ou d'autres matériaux étrangers au système, ou par une utilisation à une pression supérieure au maximum recommandé.

Cette garantie établit la responsabilité unique de FLOTEC et le recours exclusif de l'Acheteur en cas de produit défectueux. FLOTEC NE POURRA ÊTRE TENUE RESPONSABLE DE TOUT DOMMAGE INDIRECT OU CONSÉCUTIF QUEL QU'IL SOIT. LA GARANTIE LIMITÉE SUSMENTIONNÉE EST EXCLUSIVE ET REMPLACE TOUTES LES AUTRES GARANTIES EXPRESSES ET TACITES, Y COMPRIS, MAIS SANS S'Y LIMITER, LES GARANTIES DE QUALITÉ MARCHANDE ET D'ADAPTATION À UN USAGE PARTICULIER. LA GARANTIE LIMITÉE SUSMENTIONNÉE NE DOIT PAS ÊTRE PROLONGÉE AU-DELÀ DE LA DURÉE PRÉVUE AUX PRÉSENTES.

Certains États ne permettent pas l'exclusion ou la limitation des dommages indirects ou consécutifs, ni les limitations relatives à la durée des garanties implicites. Par conséquent, il se peut que les limitations ou les exclusions ci-dessus ne s'appliquent pas.

Cette garantie procure des droits juridiques précis à l'Acheteur. Cependant, il est possible de bénéficier d'autres droits, qui varient selon l'État.

FLOTEC • 293 Wright Street • Delavan, WI U.S.A. 53115  
Téléphone : 800 365-6832 • Télécopieur : 800 526-3757 • [www.FlotecWater.com](http://www.FlotecWater.com)

## Descripción

Esta Bomba Sumergible para Sumideros ha sido diseñada para sumideros de tipo doméstico. El motor con condensador auxiliar permanente viene lleno de aceite, es hermético para un funcionamiento más frío y tiene un dispositivo de protección térmica con reposición automática. Los cojinetes de bola en el eje del motor nunca necesitan lubricación. El cordón eléctrico es trifilar, con puesta a tierra.

## Especificaciones

Fuente de alimentación ..... 115V, 60 Hz., 15 A  
 Gama de temperatura del líquido.... 32°F a 70°F (0°-21°C)  
 Requiere un ramal individual (min.) ..... 15 Amperios  
 Descarga: ..... 1-1/2" hembra NPT

Esta bomba ha sido diseñada sólo para uso en sumideros domésticos. Bombee solamente agua con esta bomba.

**AVISO:** Este aparato no está diseñado como bomba de cascada o fuente, ni para aplicaciones con agua salada o de mar. El uso con cascadas, fuentes, agua salada o de mar anulará la garantía.

No usar en donde hay recirculación de agua.

No ha sido diseñado para usar como desagüador de piscinas de natación.

**AVISO:** Es importante leer este Manual del Propietario con información sobre la instalación, la operación y la seguridad.

## Información general sobre la seguridad

Su bomba automática de sumidero le deberá proporcionar muchos años de servicio sin problemas cuando se instale, mantenga y se use correctamente. Sin embargo, la interrupción de alimentación eléctrica a la bomba, suciedad y escombros en el sumidero, inundaciones que sobrepasen la capacidad de la bomba, fallas eléctricas o mecánicas en la bomba, etc. pueden impedir que ésta funcione normalmente. Para ayudar a evitar daños provocados por inundaciones, adquiera una bomba de sumidero secundaria de CA, una bomba de sumidero de respaldo de CC, y/o un sistema de alarma por nivel alto de agua. Consulte el *Localización de fallas* en este manual para obtener información sobre los problemas comunes con las bombas de sumidero y sus soluciones. Para obtener más información, llame al departamento de atención al cliente de Flotec, 1-800-365-6832 o visite nuestro sitio en Internet: FlotecWater.com.

**ADVERTENCIA** **Tensión peligrosa.** Para reducir el peligro de choque eléctrico, siga las instrucciones de A hasta D que aparecen a continuación:

- Esta bomba tiene un cordón eléctrico aprobado de 3 conductores con 3 puntas y ficha con un hilo a tierra. Conecte la bomba sólo a un tomacorriente de tres puntas debidamente puesto a tierra. Si el circuito de la bomba de sumidero tiene un tomacorriente de 2 puntas, reemplácelo con uno de 3 puntas instalado conforme a las normas.
- Desenchufe la bomba antes de manipularla o realizar trabajos de reparación o mantenimiento. Si el piso de su sótano está mojado, desconecte la corriente eléctrica antes de caminar sobre el mismo. Si la caja de desconexión está en el sótano, llame a su empresa o autoridad de servicio eléctrico para que corte el servicio a la casa, o llame a su departamento local de bomberos para obtener instrucciones al respecto. Después de desconectar la corriente eléctrica, saque la bomba para realizar los trabajos de reparación

o mantenimiento.

- Proteja los cordones eléctricos de objetos filosos, superficies calientes, aceite y sustancias químicas. Evite torcer los cordones. Reemplace todo cordón averiado o gastado.
- No levante la bomba por medio del cordón.

**ADVERTENCIA** **Peligro de inflamable.** El adhesivo para tuberías de plástico es extremadamente inflamable. Siga las instrucciones del fabricante del adhesivo cuando ensamble tuberías de plástico adheridas con pegamento.

**ADVERTENCIA** **Peligro de quemaduras.** Los motores modernos pueden calentarse durante el funcionamiento. Deje que se enfríen durante unos 20 minutos antes de manipularlos.

- Conozca el uso de la bomba, sus limitaciones y posibles peligros.
- No use esta bomba en agua con peces. Si hay una fuga de aceite del motor puede matar a los peces.
- Drene completamente el sistema antes de realizar trabajos de reparación.
- Para evitar que una tubería flexible de descarga salte y golpee, lo que provocaría lesiones o daños, sujétela antes de encender la bomba.
- Antes de cada uso, verifique que las mangueras en el sistema no estén débiles ni gastadas. Verifique que todas las conexiones estén firmes.
- Periódicamente, verifique que no haya suciedad ni objetos extraños en la bomba y en las tuberías. Realice los trabajos de limpieza de rutina según se requiera.
- Seguridad personal:
  - Use gafas de seguridad en todo momento cuando trabaje con bombas.
  - Mantenga su área de trabajo limpia, despejada y debidamente iluminada; guarde toda herramienta o aparato que no esté usando.
  - Mantenga a los visitantes a una distancia segura del área de trabajo.
  - Asegúrese de que su taller sea a prueba de niños, con candados e interruptores maestros. Retire toda llave de ignición.
- La instalación de esta bomba debe cumplir con todas las leyes, normas y reglamentos correspondientes.

## Herramientas requeridas:

Llave para tuberías, llave de correa o pinzas corredizas, sierra para metales, destornillador, lima o papel de lija.

## Materiales requeridos:

tubo de ABS o de PVC de 1-1/2" con el cemento correspondiente

Adaptador fileteado (tubo a bomba)

Válvula de retención – Adquiera una FP0026-10 (se coloca en la línea de descarga) o FP0026-6D (se coloca en la descarga de la bomba). Si su válvula de retención no tiene un orificio anti-bolsas de aire de 1/8", perforo uno en la tubería de descarga justo por encima de donde se atornilla en la descarga de la bomba. Asegúrese de haber instalado la válvula de retención de manera que el flujo se aleje de la bomba.

## Advertencia de la Proposición 65 de California

**ADVERTENCIA** Este producto y accesorios relacionados contienen sustancias químicas reconocidas en el Estado de California como causantes de cáncer, malformaciones congénitas y otros daños al sistema reproductivo.

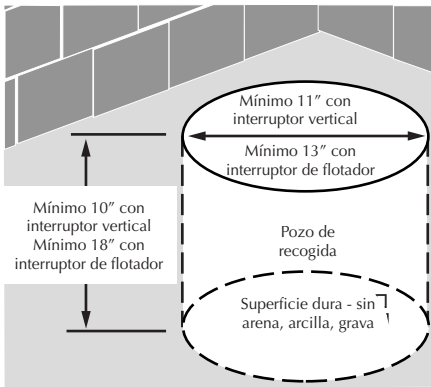


Figura 1

- 1A. Tamaño mínimo del sumidero: 11" (279 mm) de diámetro por 10" (254 mm) de profundidad para modelos con interruptor vertical; 13" (330 mm) de diámetro por 18" (457 mm) de profundidad para modelos con interruptor anclado.
- 1B. Construya el foso de recogida de losetas, hormigón, acero o plástico, conforme a los requerimientos normativos.
- 1C. No use arcilla, tierra, arena ni grava en el sumidero (obstruirán la bomba). Mantenga la malla de admisión de la bomba despejada.

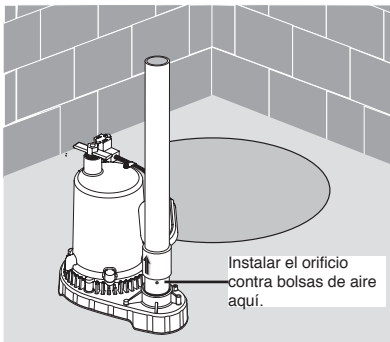


Figura 2

- 2A. Instale la plomería de descarga y la válvula de retención usando cinta sellante de PTFE para rosas de tubería- NO un compuesto para juntas de tuberías.
- 2B. Apriete la tubería en la bomba (a mano + 1-1/2 de vueltas).
- 2C. Instale una válvula de retención en la tubería vertical para evitar el retroflujo por la bomba cuando ésta se apague. Para evitar la creación de bolsas de aire en la bomba, perforo un orificio de 1/8" (3.2 mm) en la tubería de descarga, justo por encima de donde se atornilla en la descarga de la bomba. Instale la válvula de retención por encima de este orificio, pero manténgalo tan cerca de la bomba como sea posible. Verifique que el orificio se encuentre debajo de la línea de agua y por debajo de la válvula de retención.

- 2D. Para reducir el ruido y las vibraciones, corte la tubería de descarga cerca de la bomba y fije un tramo de manguera de caucho corto (1-7/8" (48 mm) de diámetro interior, por ejemplo una manguera de radiador) en la misma con abrazaderas para manguera.
3. Coloque la bomba en el sumidero; verifique que nada interfiera con el funcionamiento del interruptor. Para modelos de interruptores anclado, el largo de la cadena debe estar de 3 1/2" (Consultar la figura 3).

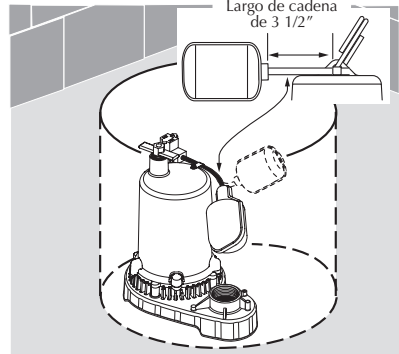


Figura 3

4. Termine de instalar la plomería necesaria. Siga las instrucciones del fabricante del pegamento con respecto a las precauciones por seguridad y al tiempo de endurecimiento.

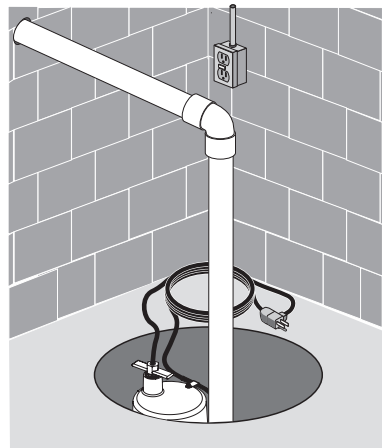


Figura 4

**⚠ ADVERTENCIA Peligro de inundación.** Asegúrese de que la bomba no se pueda mover dentro del sumidero. Si la bomba se mueve al funcionar, la tubería o la pared del sumidero podrán interferir con el interruptor e impedir que la bomba se encienda o se apague.

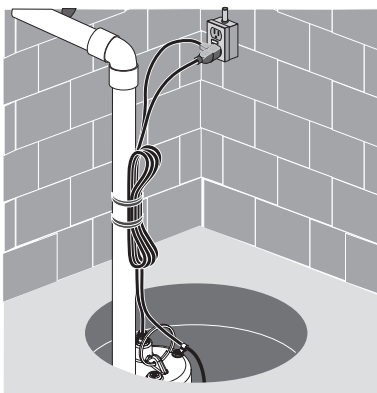


Figura 5



Figura 6

5. Fuente de alimentación: Esta bomba requiere un ramal individual de 115 V., 60 Hz., 15 amperios. El circuito debe estar puesto a tierra y debe estar dedicado a la bomba de sumidero. La bomba viene provista de un juego de cordón trifilar con ficha con un hilo a tierra. Enchufe el interruptor directamente en el tomacorriente y enchufe la bomba en el extremo opuesto de la ficha del interruptor.

**⚠ ADVERTENCIA Peligro de choque eléctrico.** Siempre conecte la bomba a tierra por medio de una masa eléctrica adecuada, como una tubería de agua conectada a tierra, una canalización metálica debidamente conectada a tierra, o un sistema de cable a tierra. No corte la punta redonda de conexión a tierra.

6. Después de haber instalado la tubería, la válvula de retención y el interruptor de flotador, la bomba estará lista para funcionar.

Inspeccione la bomba llenando el sumidero de agua y observando su funcionamiento por un ciclo completo. Para obtener información sobre las graduaciones del interruptor, consulte el cuadro de *Especificaciones Eléctricas y del Interruptor*.

**⚠ PRECAUCIÓN Peligro de inundación.** Si no se realiza esta inspección del funcionamiento, existe el riesgo de un funcionamiento inadecuado, fallas prematuras e inundación.

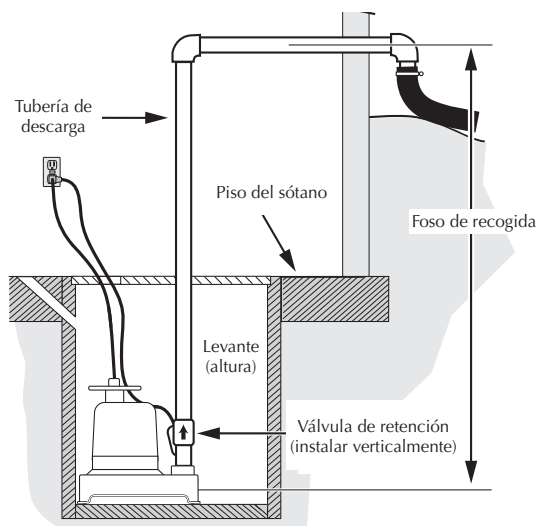
1. La junta del eje depende del agua para su lubricación. No opere esta bomba a menos que esté sumergida en agua, ya que su marcha en seco puede dañar la junta.
2. Si la bomba se recalienta, un dispositivo protector térmico con reposición automática desconecta la corriente eléctrica y detiene el motor antes de que se pueda dañar. El motor se volverá a encender automáticamente cuando se enfríe. Si el protector se dispara repetidamente, desenchufe la bomba, sáquela del sumidero y verifique cuál puede ser la causa de la dificultad. Una baja tensión, cordones largos de alargue, un impulsor obstruido, muy poco levante, una tubería de descarga obstruida o congelada, etc., todo puede provocar la activación de los ciclos y el recalentamiento.
3. Esta bomba no extraerá toda el agua del sumidero. Si usted está usando la bomba en forma manual y deja de salir agua de la descarga, es probable que la bomba esté seca (consulte las graduaciones de apagado del interruptor, abajo). Apáguela inmediatamente y verifique el nivel del agua.

## Desempeño

Modelo	GPH al total de altura de levante en pies					No hay flujo a la altura indicada abajo
	5'	10'	15'	20'	25'	
	Capacidad galones/hora					
FPZT7300	5100	4140	2940	1380	-	23'
FPZT7350						
FPZT7450	5460	4500	3420	2100	420	26'
FPZT7550	5880	4980	4020	2880	1500	29'

## Especificaciones eléctricas y del interruptor

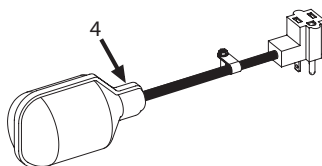
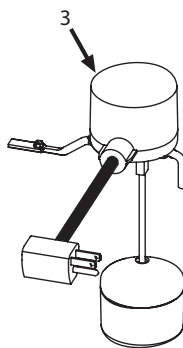
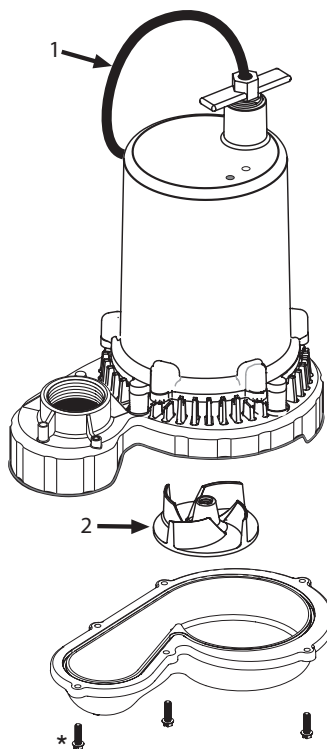
Modelo	Motor HP	Carga total del motor (amperios)	Ramal Individual Requerido (amperios)	*Graduación del interruptor en pulgadas Nivel del agua para:	
				Encendido	Apagado
FPZT7300	1/2	7.3	15	13-1/2"	4-1/2"
FPZT7350				7-1/2"	3"
FPZT7450	3/4	7.5			
FPZT7550	1	7.9			



**Figura 7 – LEVANTE (ALTURA):** El levante (la altura) es la distancia vertical efectiva a la cual la bomba levanta el agua. Cuanto más alto sea el levante, menor será el flujo.

**AVISO:** La fricción provocada por el agua que corre a través de la tubería también reducirá el flujo en trayectos largos de tubería. De igual manera, una tubería con un diámetro inferior al de la tubería de descarga de la bomba reducirá el flujo.

**FPZT7300**  
**FPZT7350**  
**FPZT7450**  
**FPZT7550**



Ref.	Descripción	Cant.	FPZT7300	FPZT7350	FPZT7450	FPZT7550
1	Unidad del cordón eléctrico	1	PS17-54	PS17-54	PS17-54	PS17-54
2	Impulsor†	1	PS5-33P	PS5-33P	PS5-34P	PS5-35P
3	Unidad del interruptor de flotador vertical	1	-	FPS17-66-P2	FPS17-66-P2	FPS17-66-P2
4	Unidad del interruptor de flotador anclado	1	FP18-15BD	-	-	-

**AVISO:** Si falla el motor, reemplace toda la bomba.

† Consulte la página 24 para obtener las instrucciones sobre cómo reemplazar el impulsor.

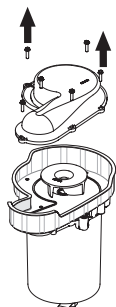
\*Todas las fijaciones son #8-32 x 1/2" de acero inoxidable. En venta localmente.

## Cuadro de localización de fallas

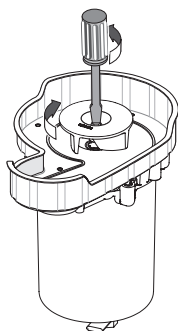
**⚠ ADVERTENCIA Peligro de choque eléctrico.** Desenchufe la bomba antes de tocarla o de realizar trabajos de reparación o mantenimiento.

Síntoma	Causa(s) probable(s)	Medida correctiva
La bomba no se enciende o no marcha.	La bomba no está enchufada.	Verifique que la bomba este enchufada en un tomacorriente adecuado.
	Fusible quemado.	Reemplace el fusible por un fusible del tamaño correcto.
	Baja tensión de línea.	Verifique el tamaño de los cables en el circuito que alimenta a la bomba y desde el interruptor principal en la propiedad. Si todo es correcto, comuníquese con la empresa o autoridad de energía eléctrica.
	Motor defectuoso.	Reemplace la bomba.
	Interruptor de flotador defectuoso.	Reemplace el interruptor de flotador.
	Impulsor obstruido o atascado.	Si el impulsor no marcha, desenchufe la bomba, saque la unidad inferior de la bomba y ubique el origen del atascamiento. De ser necesario, reemplace el impulsor.
	Flotador obstruido.	Mueva la bomba en el sumidero o elimine la obstrucción.
La bomba se enciende y se detiene con demasiada frecuencia.	Retroflujo de agua desde la tubería.	Instale o reemplace la válvula de retención.
	Interruptor de flotador defectuoso.	Reemplace el interruptor de flotador.
La bomba no se apaga.	Interruptor de flotador defectuoso.	Reemplace el interruptor de flotador.
	Descarga restringida (obstáculo o hielo en la tubería).	Desenchufe la bomba, sáquela del sumidero y limpie la bomba y la tubería.
	Flotador obstruido.	Mueva la bomba en el sumidero o elimine la obstrucción.
	Malla de admisión restringida.	Desenchufe la bomba, sáquela del sumidero y limpie la malla de admisión y el impulsor.
La bomba funciona pero entrega poco o nada de agua.	Baja tensión de línea.	Si la tensión es inferior a 110 voltios, verifique el tamaño de los cables desde el interruptor principal en la propiedad. Si es el correcto, comuníquese con la empresa o autoridad de servicio de energía eléctrica.
	Escombros atrapados en el impulsor.	Saque la bomba y limpie el impulsor.
	Piezas gastadas o defectuosas o impulsor obstruido.	Limpie el impulsor si está obstruido, de ser necesario, reemplace el impulsor; de lo contrario, reemplace la bomba.
	Válvula de retención instalada sin orificio de ventilación.	Perfore un orificio de 1/8" (3 mm) de diámetro entre la descarga de la bomba y la válvula de retención (1-2" por encima de la descarga de la bomba y por debajo de la línea de agua).
	Malla de admisión restringida.	Saque la bomba y limpie la malla de admisión.
Válvula de retención instalada al revés o boca abajo.	Verifique que la válvula de retención se haya instalado correctamente (la flecha del flujo debe apuntar en dirección contraria a la bomba).	

**Primero:** Desconecte el suministro de corriente eléctrica a la bomba, desconecte la tubería de descarga, levante y saque la bomba del sumidero por medio del mango que se encuentra en la parte superior del motor (no por medio del cordón).

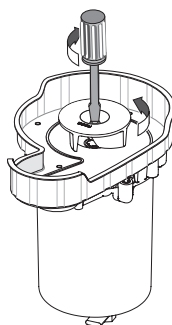


**Paso 1:** Saque los tres tornillos que sujetan el motor a la base y levante el motor de la base.

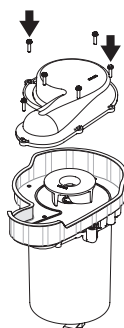


**Paso 2:** Sostenga el eje del motor con un destornillador y destornille el impulsor según se ilustra.

**AVISO:** El impulsor tiene una rosca izquierda, de manera que se afloja hacia la derecha (↻).



**Paso 3:** Enrosque el nuevo impulsor en el eje del motor según se ilustra (rosca izquierda – se aprieta hacia la izquierda).



**Paso 4:** Vuelva a montar el motor en la base. Verifique que se haya colocado de manera que el interruptor quede despejado de la descarga y de toda otra obstrucción en el sumidero.

**Por último:** Haga marchar la bomba por un ciclo completo después de haberla ensamblado y reinstalado. Deberá funcionar correctamente y no se deberán escuchar chirridos ni sonidos de arrastre desde la bomba.



**Retener el recibo original a fin de determinar la elegibilidad para la garantía**

**Garantía limitada**

Esta Garantía Limitada entra en vigor el 1 de junio de 2011 y sustituye toda garantía sin fecha o garantía con fecha anterior al 1 de junio de 2011.

FLOTEC le garantiza al comprador consumidor original (el "Comprador" o "Usted") de sus productos, que éstos estarán libres de defectos en materiales y en mano de obra por un período de doce (12) meses, a partir de la fecha de la compra original del consumidor. Si dentro de los doce (12) meses a partir de la fecha de la compra inicial del consumidor, Será reparado o reemplazado a opción de la FLOTEC, sujeto a los términos y condiciones establecidos en la presente. Tome nota de que esta garantía limitada cubre defectos de manufactura solamente y no el desgaste común. Todos los aparatos mecánicos periódicamente necesitan repuestos y servicio para un funcionamiento correcto. Esta garantía limitada no cubre las reparaciones que se realicen cuando el uso normal haya agotado la vida útil de una pieza o del aparato.

Es necesario retener el recibo de compra original y la etiqueta de información de la garantía a fin de determinar la elegibilidad para la garantía. La elegibilidad se basa en la fecha de compra del producto original - no en la fecha del reemplazo bajo la garantía. La garantía es limitada y cubre solamente la reparación o el reemplazo del producto original adquirido, no del producto reemplazado (es decir que se permite un reemplazo por compra bajo la garantía). El comprador pagará todos los costos de remoción, instalación, mano de obra y envío necesarios, así como todo costo adicional asociado.

Si necesita piezas o resolución de problemas, NO regrese el producto a la tienda minorista. Llame al Servicio a la Clientela de FLOTEC al 1-800-365-6832.

Las reclamaciones hechas bajo esta garantía se realizarán mediante la devolución del producto (a excepción de las bombas cloacales - ver a continuación) al concesionario de venta al público en donde se haya adquirido o a la fábrica, inmediatamente después de haber descubierto cualquier presunto defecto. FLOTEC entonces tomará la medida correctiva tan pronto como sea razonablemente posible. No se aceptarán solicitudes de servicio, si se reciben más de 30 días después del vencimiento de esta garantía.

La garantía no es transferible y no cubre productos utilizados en aplicaciones comerciales o de alquiler.

**Bombas cloacales**

NO devuelva una bomba cloacal (que se haya instalado) a su tienda minorista. Comuníquese con el Departamento de Atención al Cliente de FLOTEC. Las bombas cloacales que hayan estado en servicio y se hayan removido pueden representar un peligro de contaminación.

Si su bomba cloacal ha fallado:

- Use guantes de caucho cuando manipule la bomba;
- Para los fines de la garantía, devuelva la etiqueta del cordón de la bomba y el recibo de compra original a la tienda minorista;
- Descarte la bomba cumpliendo con todas las normas locales que correspondan para su eliminación.

**Excepciones para la Garantía limitada de Doce (12) Meses**

Producto	Período de garantía
FP0F360AC, FP0FDC	90 días
FP0S1775A, FP0S1790PCA, FP0S2400A, FP0S2450A, FP0S4100X, FP2800DCC, FPCP-20ULST, FPPSS3000, FPSC2150A, FPSC3150A, FPSC3350A	2 años
Bombas de pozo sumergibles de 4", FP0S3200A, FP0S3250A, FP0S6000A, FPSC1725X, FPSC2200A, FPSC2250A, FPSE3601A, FPPSS5000, FPZT7300, FPZT7350, FPZT7450, FPZT7550	3 años
Tanque precargado del sistema de agua (Serie FP7100), E100ELT, E3305TLT, E3375TLT, E5005TLTT, E50TLT, E50VLT, E755STVT, E75VLT, FPSC3200A, FPSC3250A, FPSC4550A	5 años

**Términos y condiciones generales; Limitación de recursos**

Usted deberá pagar por todos los gastos de mano de obra y de envío necesarios para reemplazar el producto cubierto por esta garantía. Esta garantía no se aplicará en las siguientes situaciones: (1) caso de fuerza mayor (2) productos que, a sólo juicio de FLOTEC hayan sido sometidos a negligencia, abuso, accidente, mala aplicación, manejo indebido o alteraciones; (3) fallas debidas a instalación, operación, mantenimiento o almacenamiento inadecuados; (4) aplicaciones, usos o servicios que no sean normales o aprobados; (5) fallas provocadas por corrosión, herrumbre u otros materiales extraños en el sistema, o una operación a presiones que excedan los máximos recomendados.

Esta garantía establece la única obligación de FLOTEC y el recurso exclusivo del Comprador con respecto a los productos defectuosos.

FLOTEC NO SE HARÁ RESPONSABLE DE NINGÚN DA—O CONSECUENTE, INCIDENTAL O CONTINGENTE.

LAS GARANTÍAS LIMITADAS QUE ANTECEDEN SON EXCLUSIVAS Y EN LUGAR DE TODA OTRA GARANTÍA EXPLÍCITA E IMPLÍCITA, INCLUYENDO, PERO SIN LIMITARSE A LAS GARANTÍAS IMPLÍCITAS DE COMERCIABILIDAD E IDONEIDAD PARA UN FIN ESPECÍFICO. LAS GARANTÍAS LIMITADAS QUE ANTECEDEN NO SE EXTENDERÁN MÁS ALLÁ DEL PERÍODO DE DURACIÓN INDICADO EN LA PRESENTE.

Algunos Estados no permiten la exclusión o limitación de daños incidentales o consecuentes o de limitaciones de tiempo sobre garantías implícitas, de modo que es posible que las limitaciones o exclusiones que preceden no correspondan en su caso. Esta garantía le otorga derechos legales específicos y es posible que Usted también tenga otros derechos que pueden variar de un Estado al otro.

FLOTEC • 293 Wright Street • Delavan, WI 53115 U.S.A.  
Teléfono: 800-365-6832 • Fax: 800-526-3757 • www.FlotecWater.com

THIS PAGE INTENTIONALLY LEFT BLANK

THIS PAGE INTENTIONALLY LEFT BLANK

THIS PAGE INTENTIONALLY LEFT BLANK