

STA-RITE® ProJet™ SL Series

Cast iron self-priming convertible jet pumps



The ProJet SL convertible jet pumps offer a proven cast iron self-priming design available in 1/2 to 1-1/2 HP models. The ProJet SL convertible jets utilize the built-in regulators, offering easier priming and better range of performance from a complete line of shallow well, 4" double pipe, 2" and 3" single pipe jet packages.

APPLICATIONS

Water systems and sprinkling... for homes, farms and cottages.

SPECIFICATIONS

Body and Seal Plate: Close-grained cast iron

Impeller: High-strength Noryl®

Diffuser: Reinforced polypropylene with brass wear ring

Shaft: One-piece threaded 416 stainless steel

Base: Steel, 12 gauge

Max. Liquid Temperature: 140°F

Max. Inlet Pressure: 50 PSI

Pressure Switch Pre-Set: 30-50 PSI

Suction Ports: "Suction-over-Drive"

FEATURES

Quality Construction: Close-grained cast iron pump body is rugged one-piece unit, specially treated to resist corrosion. Drain port provided for easy winterizing.

Noryl Impeller: Precision-molded for perfect balance...ultra-smooth for highest performance and efficiency.

Precision-Molded Diffuser: Pump primes faster, handles more air, with multi-port, precision-molded, reinforced polypropylene diffuser.

Pressure Switch: High-quality, cut-in pressure setting is adjustable. Fixed 20 PSI differential.

Mechanical Shaft Seal: Precision-lapped and highly polished carbon-ceramic, stainless steel construction. Internal design guarantees continuous water lubrication for maximum protection.

Motor Windings: Superior insulation materials protect against excessive moisture and contaminants...assures prolonged motor life.

Balanced Rotor: Diecast under high pressures for uniform performance and greater efficiency...dynamically balanced.

Heavy-Duty Ball Bearings: Shielded, permanently lubricated bearings, extensively tested to ensure extended life and smooth, quiet operation.

Pump and Motor Shaft: 416 stainless steel for maximum corrosion resistance; one-piece threaded shaft for positive impeller drive and alignment.

Dustproof Cover: Dustproof canopy protects all electrical components from dirt, dust and insects; ventilating air cannot contaminate vital switching components... eliminates the most common cause of motor failure.

ORDERING INFORMATION

| CATALOG NUMBER | HP | DESCRIPTION | PIPE TAPPING SIZES | | | MOTOR VOLTAGE | APPROX. WT. LBS. |
|----------------|-------|---------------|--------------------|-------|--------|---------------|------------------|
| | | | SUCT. | DRIVE | DISCH. | | |
| SLC | 1/2 | Deep Well Jet | 1-1/4" | 1" | 1" | 115/230 | 40 |
| SLD | 3/4 | Deep Well Jet | 1-1/4" | 1" | 1" | 115/230 | 42 |
| SLE | 1 | Deep Well Jet | 1-1/4" | 1" | 1" | 115/230 | 60 |
| SLF | 1-1/2 | Deep Well Jet | 1-1/4" | 1" | 1" | 115/230 | 65 |

A Jet Package should be ordered with every SL Series Pump.

NOTE: Pumps installed with a Pro-Source® tank require a 100 PSI relief valve. Pumps installed with a conventional tank require a 75 PSI relief valve. Relief valve must be capable of relieving flow of pump at relief pressure.

Noryl® is registered trademark of General Electric Co.

All other brand or product names are trademarks or registered trademarks of Pentair Ltd.

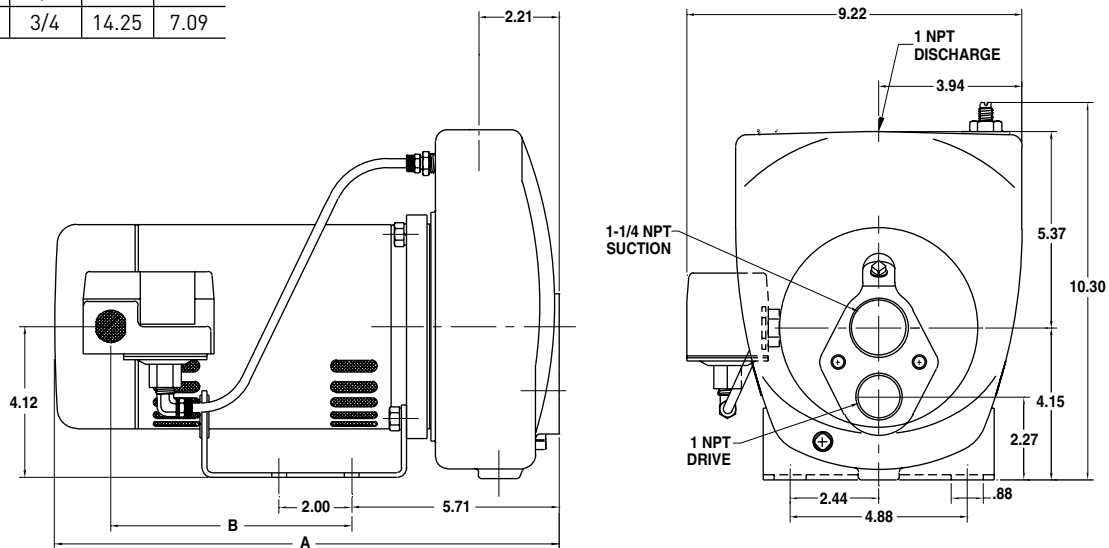
STA-RITE® ProJet™ SL Series

Cast iron self-priming convertible jet pumps

OUTLINE DIMENSIONS

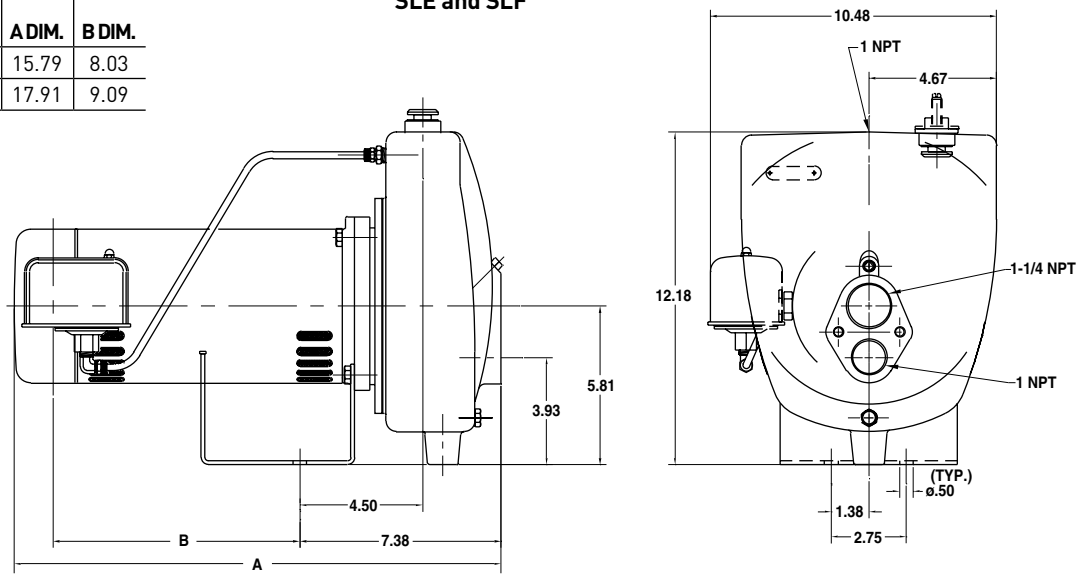
| CATALOG NUMBER | HP | ADIM. | BDIM. |
|----------------|-----|-------|-------|
| SLC | 1/2 | 13.62 | 6.46 |
| SLD | 3/4 | 14.25 | 7.09 |

SLC and SLD



| CATALOG NUMBER | HP | ADIM. | BDIM. |
|----------------|-------|-------|-------|
| SLE | 1 | 15.79 | 8.03 |
| SLF | 1-1/2 | 17.91 | 9.09 |

SLE and SLF



Dimensions (in inches) are for estimating purposes only.

STA-RITE® ProJet™ SL Series

Cast iron self-priming convertible jet pumps

PUMP PERFORMANCE (CAPACITY IN GALLONS PER MINUTE) DEEP WELL (40 PSI) 4" SINGLE PIPE

| CAT. NO. | HP | JET NO. | USES VENTURI | USES NOZZLE | PUMPING DEPTH IN FEET | | | | | | | | | | | | MAX. PUMP SHUT-OFF PRESSURE PSI | |
|----------|-------|---------|--------------|-------------|-----------------------|------|-----|-----|-----|-----|-----|-----|------|------|------|---------------------|---------------------------------|----|
| | | | | | 20' | 30' | 40' | 50' | 60' | 70' | 80' | 90' | 100' | 110' | 120' | JET AT 20 FT. DEPTH | JET AT MAX. DEPTH | |
| SLC | 1/2 | 4SD | J32P-24 | J34P-41 | 5.9 | 4.5 | 3.4 | 2.3 | | | | | | | | | 68 | 54 |
| | | 15SD | J32P-18 | J34P-42 | 4.6 | 3.9 | 3.3 | 2.8 | 2.3 | 1.7 | | | | | | | | 84 |
| SLD | 3/4 | CK3 | J32P-26 | J34P-41 | 9.4 | 8.0 | 6.6 | | | | | | | | | | 77 | 68 |
| | | 54SD | J32P-22 | J34P-44 | 8.0 | 6.9 | 5.7 | 4.8 | 3.8 | 3.2 | | | | | | | 94 | 70 |
| | | CK5 | N32P-66B | J34P-45 | 7.3 | 6.2 | 5.0 | 4.0 | | | | | | | | | 83 | 69 |
| | | 55SD | J32P-18 | J34P-43 | 5.0 | 4.3 | 3.7 | 3.2 | 2.6 | 2.2 | 1.8 | 1.5 | | | | | 96 | 63 |
| SLE | 1 | CK1 | N32P-72 | J34P-43 | 13.2 | 10.8 | 8.4 | 6.3 | 4.2 | | | | | | | | 74 | 56 |
| | | CK2 | J32P-24 | J34P-44 | 13.0 | 11.5 | 9.9 | 8.7 | 7.5 | 6.6 | 5.4 | | | | | | 105 | 80 |
| | | 54SD | J32P-22 | J34P-44 | 8.5 | 7.7 | 6.7 | 6.3 | 5.8 | 5.4 | 4.8 | 4.0 | 3.7 | 3.4 | 2.7 | 122 | 73 | |
| SLF | 1-1/2 | 54SD | J32P-22 | J34P-44 | 9.5 | 8.5 | 7.4 | 6.9 | 6.5 | 6.0 | 5.5 | 4.8 | 4.2 | 3.6 | 2.9 | 127 | 76 | |

Tank body on SLF pump tapped 1-1/4" x 1". On SLF pump, drop pipe should be increased to 1-1/2" x 1-1/4" to ensure adequate capacity from pump.

PUMP PERFORMANCE (CAPACITY IN GALLONS PER MINUTE) DEEP WELL (40 PSI) 2" SINGLE PIPE

| CAT. NO. | HP | JET NO. | USES VENTURI | USES NOZZLE | PUMPING DEPTH IN FEET | | | | | | | | | | | | MAX. PUMP SHUT-OFF PRESSURE PSI | |
|----------|-------|---------|--------------|-------------|-----------------------|------|-----|-----|-----|-----|-----|-----|------|------|------|---------------------|---------------------------------|----|
| | | | | | 20' | 30' | 40' | 50' | 60' | 70' | 80' | 90' | 100' | 110' | 120' | JET AT 20 FT. DEPTH | JET AT MAX. DEPTH | |
| SLC | 1/2 | 8AP | J32P-18 | J34P-42 | 4.7 | 4.1 | 3.4 | 2.5 | 1.9 | 1.5 | | | | | | | 84 | 58 |
| SLD | 3/4 | 54AP | J32P-22 | J34P-44 | 7.4 | 6.3 | 5.2 | 3.9 | 2.5 | 2.0 | | | | | | | 82 | 54 |
| SLE | 1 | 10AP | J32P-24 | J34P-44 | 10.5 | 10.0 | 8.1 | 6.2 | | | | | | | | | 96 | 79 |
| | | 54AP | J32P-22 | J34P-44 | 6.0 | 5.3 | 4.8 | 4.2 | 4.1 | 3.7 | 3.5 | 2.8 | 2.1 | 1.6 | | | 95 | 53 |
| SLF | 1-1/2 | 9AP | J32P-29 | J34P-44 | 11.7 | 11.1 | 9.8 | 6.8 | | | | | | | | | 69 | 57 |
| | | 8AP | J32P-18 | J34P-42 | 6.7 | 5.8 | 5.3 | 4.7 | 4.5 | 4.1 | 3.8 | 3.1 | 2.6 | 2.0 | 1.6 | 129 | 72 | |

DEEP WELL (40 PSI) 3" SINGLE PIPE

| | | | | | | | | | | | | | | | | | | |
|-----|-------|------|---------|----------|------|------|------|------|-----|-----|-----|-----|-----|-----|-----|-----|-----|----|
| SLC | 1/2 | 19CP | J32P-24 | J34P-41 | 5.9 | 4.5 | 3.4 | 2.3 | | | | | | | | | 68 | 54 |
| | | 16CP | J32P-18 | J34P-42 | 4.6 | 3.9 | 3.3 | 2.8 | 2.3 | 1.7 | | | | | | | 84 | 59 |
| | | 9CP | J32P-26 | J34P-41 | 9.4 | 8.0 | 6.6 | | | | | | | | | | 77 | 68 |
| SLD | 3/4 | 54CP | J32P-22 | J34P-44 | 8.0 | 6.9 | 5.7 | 4.8 | 3.8 | 3.2 | | | | | | | 94 | 70 |
| SLE | 1 | 18CP | J32P-24 | J34P-44 | 13.0 | 11.5 | 9.9 | 8.7 | 7.5 | 6.6 | 5.4 | | | | | | 106 | 80 |
| | | 54CP | J32P-22 | J34P-44 | 8.5 | 7.7 | 6.7 | 6.3 | 5.8 | 5.4 | 4.8 | 4.0 | 3.7 | 3.4 | 2.7 | 122 | 73 | |
| | | 57CP | J32P-33 | P122-10B | 18.0 | 15.4 | 12.8 | 10.8 | | | | | | | | | 81 | 68 |
| SLF | 1-1/2 | 54CP | J32P-22 | J34P-44 | 9.5 | 8.5 | 7.4 | 6.9 | 6.5 | 6.0 | 5.4 | 4.8 | 4.2 | 3.6 | 2.9 | 127 | 76 | |

Tank body on SLF pump tapped 1-1/4" x 1". Drop pipe should be increased to 1-1/2" x 1-1/4" to ensure adequate capacity from pump. Tested and rated in accordance with Water Systems Council Standards.

NOTE: Pumps installed with a Pro-Source® tank require a 100 PSI relief valve. Pumps installed with a conventional tank require a 75 PSI relief valve. Relief valve must be capable of relieving entire flow of pump at relief pressure.

