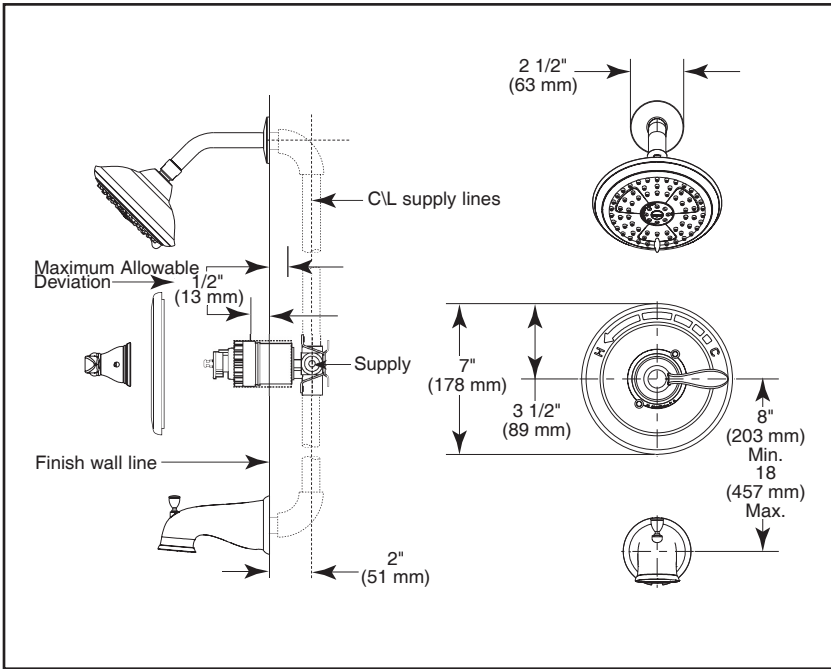
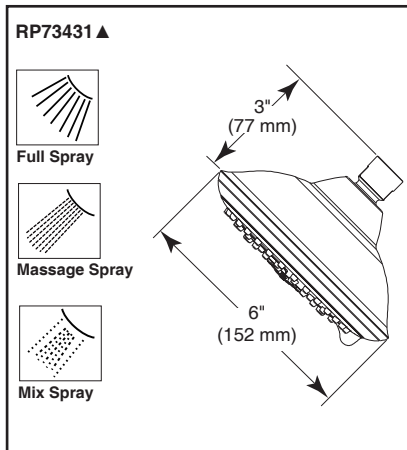
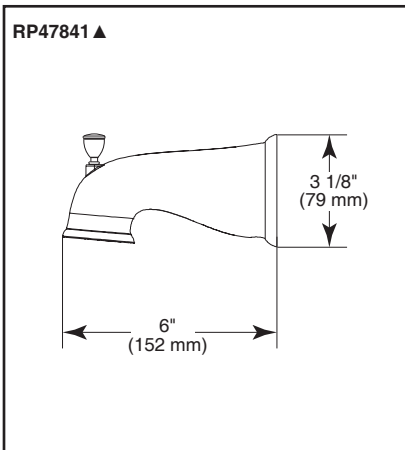


144984▲

Submitted Model No.: _____
 Specific Features: _____



▲ Designate proper finish suffix



TUB AND SHOWER FAUCET

- Porter™ Bath Collection
- Tub/Shower (144984 Series)

STANDARD SPECIFICATIONS

- Monitor® 14 Series pressure balanced bath mixing valve with Scald-Guard®.
- Back-to-back installation capability.
- Solid brass forged body.
- Field adjustable means to limit handle rotation into hot water zone.
- 120° maximum handle rotation.
- MultiChoice® Universal rough valve body. (R10000 Series)
- All parts replaceable from the front of the valve.
- Temperature only controlled with handle.
- Maintains a balanced pressure of hot and cold water even when a valve is turned on or off elsewhere in the system.
- Touch-Clean® 3-setting showerhead.

WARRANTY

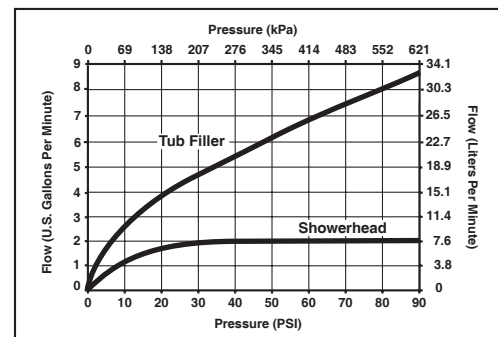
- Lifetime limited warranty on parts (other than electronic parts and batteries) and finishes; or for commercial users, for 5 years from the date of purchase.
- 5 year limited warranty on electronic parts (other than batteries); or for commercial users, for 1 year from the date of purchase. No warranty is provided on batteries



COMPLIES WITH

- ASME A112.18.1 / CSA B125.1
- ASSE 1016

Indicates compliance to ICC/ANSI A117.1



55 E. 111th Street, Indianapolis, Indiana 46280
 350 South Edgeware Road, St. Thomas, Ontario Canada N5P 4L1
 © 2013 Masco Corporation of Indiana

Delta reserves the right (1) to make changes in specifications and materials, and (2) to change or discontinue models, both without notice or obligation. Dimensions are for reference only. See full-line price book or www.specselect.com for finish options and product availability.