

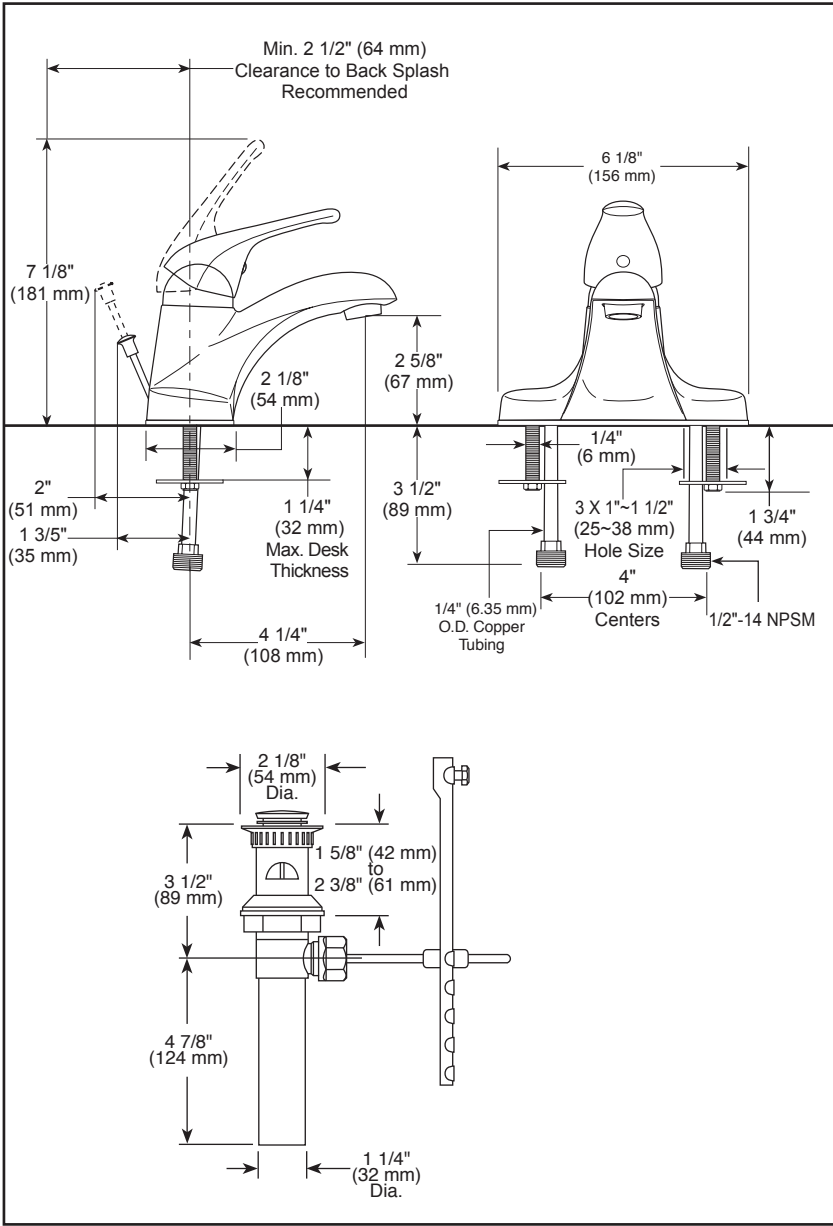
LAVATORY FAUCETS

- Single Handle Deck Mount
- 3 Hole Sink Applications
- 4" Centerset

Submitted Model No.: _____
 Specific Features: _____

STANDARD SPECIFICATIONS

- Solid brass fabricated body.
- Single handle lavatory faucets for exposed mounting on 3 hole sinks with 4" centers.
- 4" (102 mm) centerset.
- 4 1/4" (108 mm) long spout.
- All operating parts shall be replaceable from the top.
- Lever handle. Control mechanism is the rotating stainless steel ball type with replaceable non-metallic seats.
- Control handle shall return to neutral position when valve is turned off.
- Models have 1/4" O.D. copper supply tubes - 3 1/2" (89 mm) long with 1/2"-14 NPSM adapters.
- Models have drain with plastic pop-up type fitting with plated flange and stopper.
- Maximum flow rate 1.5 gpm @ 60 PSI.



WARRANTY

- Lifetime limited warranty on parts (other than electronic parts and batteries) and finishes; or for commercial users, for 5 years from the date of purchase.
- 5 year limited warranty on electronic parts (other than batteries); or for commercial users, for 1 year from the date of purchase. No warranty is provided on batteries.

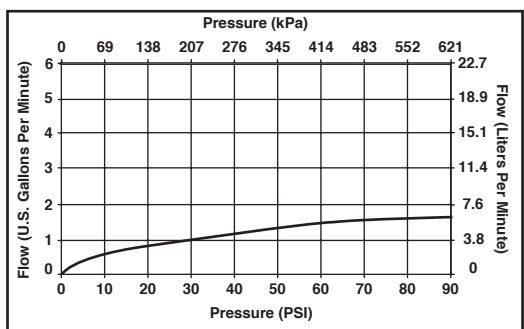


COMPLIES WITH

- ASME A1 12.18.1 / CSA B1 25.1
- ASME A1 12.18.2 / CSA B1 25.2
- ♿ Indicates compliance to ICC / ANSI A1 17.1
- EPA WaterSense®

Verified compliant with 0.25% weighted average Pb content regulations.

▲ Designate proper finish suffix



Delta reserves the right (1) to make changes in specifications and materials, and (2) to change or discontinue models, both without notice or obligation. Dimensions are for reference only. See full-line price book or www.deltafaucet.com for finish options and product availability.



55 E. 111th Street, Indianapolis, Indiana 46280
 350 South Edgeware Road, St. Thomas, Ontario Canada N5P 4L1
 © 2013 Masco Corporation of Indiana