

Crane

Drop Humidifiers

DESIGN
FOR
BETTER
LIVING

INSTRUCTION MANUAL

**1 GALLON / 3.78 LITER
ULTRASONIC HUMIDIFIER**

FOR THE FOLLOWING MODELS:

**EE-5301
EE-5301P
EE-5301G
EE-5301O
EE-5301W**

If you have any questions about the operation of your ultrasonic humidifier, please contact Crane Customer Care.

Toll Free: 888-599-0992

Email: customer-service@crane-usa.com



**PLEASE READ AND SAVE ALL INSTRUCTIONS TO ENSURE
THE SAFE AND EFFECTIVE USE OF THIS APPLIANCE.**

TABLE OF CONTENTS

Table of Contents, Humidifier Models	P. 1
Safety Instructions	P. 2-3
List of Main Parts	P. 4
Technical Specifications	P. 5
Operation and Use	P. 5-7
Maintenance & Storing Your Humidifier	P. 7
Trouble Shooting	P. 8
Customer Care	P. 9
Warranty	P. 10

HUMIDIFIER MODELS

This instruction manual applies to the following models of the Drop Humidifiers product line:

Color	Model #
Blue & White	EE-5301
Pink	EE-5301P
Green	EE-5301G
Orange	EE-5301O
White	EE-5301W

For information about all CRANE Humidifiers,
please visit <http://www.crane-usa.com>.



IMPORTANT SAFETY INSTRUCTIONS

Thank you for purchasing a CRANE Ultrasonic Humidifier. Each unit has been manufactured to ensure safety and reliability. Before using for the first time, please read the instructions carefully and keep them for further reference.

WARNING! READ AND SAVE THESE INSTRUCTIONS. Failure to follow all of the instructions listed below may result in electric shock, fire and/or serious personal injury.

1. **DO NOT carry Water Tank by handle when it is filled with water. It is advisable to carry filled Water Tank with two hands.**
2. **DO NOT operate outdoors. This humidifier is intended for indoor use only.**
3. Always have water in the Water Tank when operating the unit.
4. Use only clean, cool tap water to fill the Water Tank (filtered or distilled water is recommended to avoid white dust if tap water is too hard; demineralization filters are also available for purchase at www.crane-usa.com). **DO NOT use hot water.**
5. Be sure that the Water Tank Cap is firmly tightened on Water Tank. Always have the Mist Lid in place while the unit is operating. Place the humidifier so the mist aims away from children, walls, furniture and electrical appliances.
6. Use only a 110-120VAC outlet. **ALWAYS plug and unplug unit with dry hands to avoid electric shock.**
7. Never operate the unit with a damaged cord or plug.
8. Always place the unit on a smooth, flat, lint-free, non-metallic, waterproof and level surface and position unit away from direct sunlight. Keep the cord away from heated surfaces and areas where it could be walked on or tripped over. Unplug the unit when not in use and whenever you clean or move the unit.
9. Do not add medication of any type into the Water Basin or Water Tank. Do not cover any openings on the unit or insert objects into any openings.
10. The unit should not be left unattended in a closed room as the air could become saturated and leave condensation on walls or furniture. Leave room door partly open when humidifier is being operated.
11. When cleaning the inside of the humidifier, keep water away from the Fan Vent. **Turn off and unplug the humidifier to wipe the exterior** (except the electrical controls) with a damp cloth. Humidifier requires regular cleaning. Please refer to the CLEANING INSTRUCTIONS in this manual.
12. Do not tilt or tip the humidifier or attempt to empty or fill it while it is in operation.
13. Do not use a detergent to clean any parts of the unit that contain water. Detergent film dissolved in the water supply can interfere with the output of the unit. Instead, always use white vinegar mixed with water to clean the humidifier.

SAVE THESE INSTRUCTIONS!

GENERAL SAFETY INSTRUCTIONS



WARNING! Read and understand all instructions. Failure to follow all instructions listed below may result in electric shock, fire or serious personal injury. The warnings, cautions, and instructions discussed in this instruction manual cannot cover all possible conditions and situations that may occur. It must be understood by the user that common sense and caution are a factor which cannot be built into this product, but must be supplied by the user.

THIS HUMIDIFIER IS NOT A TOY!

Do not let your child play with this humidifier. Serious injury and electrocution might be possible. This humidifier has to be operated by an adult only. Children should be supervised to ensure that they do not play with the humidifier.

SAVE ALL INSTRUCTIONS!

CAUTION: A short Power Supply Cord is provided to reduce the risk of personal injury resulting from becoming entangled in or tripping over a longer cord. Extension cords are available from local hardware stores and may be used if care is exercised in their use. If an extension cord is required, special care and caution is necessary. Also the extension cord must be (1) marked with an electrical rating of 125 V and at least 13 A., 1625 W., and (2) the cord must be arranged so that it will not drape over the countertop or tabletop where it can be pulled on by children or accidentally tripped over.

ELECTRIC POWER

If the electric circuit is overloaded by other appliances, your humidifier and/or appliances may not operate properly. The humidifier should be operated on a separate electrical circuit from other operating appliances.

POLARIZED PLUG

This humidifier has a polarized plug (one blade is wider than the other). As a safety feature to reduce the risk of electrical shock, this plug is intended to fit in a polarized outlet only one way. If the plug does not fit fully in the outlet, reverse the plug. If it still does not fit, contact a qualified electrician. Do not attempt to defeat this safety feature.



SAFETY WARNING

Although your humidifier is easy to operate, for your safety, the below warnings must be followed:

1. Do not place the humidifier near a heat source.
2. Never leave the humidifier unattended while connected to the electrical outlet.
3. To avoid any accidents, never cover the Mist Lid when the humidifier is in operation.
4. Use the humidifier on a smooth, flat, lint-free, non-metallic, waterproof, and level surface away from water.
5. Do not unplug from the wall socket by pulling on the supply cord.
6. The humidifier must be unplugged:
 - A. Before either filling or emptying the Water Basin and/or Water Tank.
 - B. Before any cleaning or maintenance is performed.
 - C. After each use.
 - D. If it appears to be faulty.

THIS PRODUCT IS INTENDED FOR HOUSEHOLD USE ONLY.

LIST OF MAIN PARTS

Fig. 1 (Humidifier Base)

1. Control Knob
2. Water Basin
3. Power Indicator Light

NOTE: Depending on humidifier color, the control knob may be a different style



Fig. 2 (Top of Water Tank)

4. Mist Outlet Channel
5. Water Tank Handle

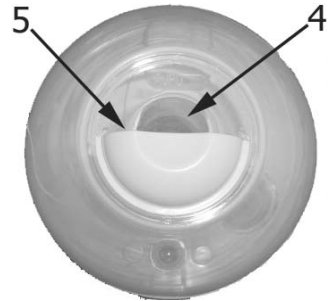


Fig. 3 (Water Basin)

3. Power Indicator Light
6. Nebulizer
7. Mist Chamber
8. Fan Vent
9. Valve Opener
10. Water Level Sensor

NOTE: Depending on humidifier model, the nebulizer may be different.

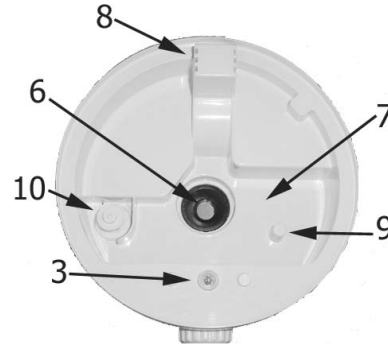


Fig. 4 (Bottom of Water Tank)

11. Water Tank Valve
12. Water Tank Cap
13. Mist Outlet Channel

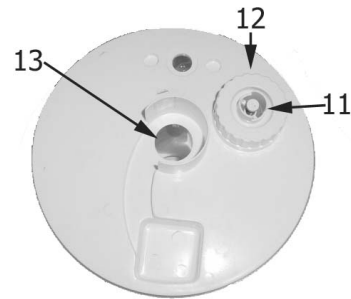
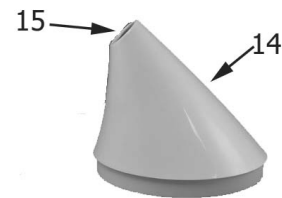


Fig. 5 (Mist Lid)

14. Mist Lid
15. Mist Output Slot



TECHNICAL SPECIFICATIONS

Rating Voltage	120V
Frequency	60Hz
Water Tank Capacity	Approx. 0.9 Gallon / 3.3 Liter
Output Per 24 Hours	Approx. 2.3 Gallon / 8.7 Liter
Run Time Per Tank	Max. up to 24 hours / Min. 11 Hours
Humidifying Capacity	Up to 250 sq. ft. / 23 m ²
Noise	< 37 decibels from 3 feet away

OPERATION AND USE

BEFORE EACH USE

CHECK HUMIDIFIER PLACEMENT

Place the Humidifier on an elevated, non-metallic, lint-free, waterproof, level surface at least 2 feet above the floor.

- **DO NOT** place the humidifier on carpet or a towel. The fan vent is located on the bottom of the humidifier base. The fan vent **MUST NOT** be obstructed.
- **DO NOT** place the humidifier on a wood surface or near furniture that can be damaged by too much moisture.

CHECK WATER LEVEL SENSOR

Make sure that the Water Level Sensor is secured properly and not obstructed.

CAUTION

DO NOT operate the humidifier without water in the Water Tank.

DO NOT plug or unplug the Power Cord with wet hands as electric shock could occur.

ASSEMBLY

ALWAYS use fresh cool water when operating the humidifier.

1. Turn Water Tank upside down and unscrew Water Tank Cap. **NOTE:** The opening next to the water tank cap is the mist channel. The mist channel is enclosed in plastic. The mist outlet channel is separate from the water in the water tank. See FIG. 4 #13 page 4.



2. Fill Water Tank with cool water. **DO NOT** fill water all the way to the rim.



DO NOT CARRY FULL WATER TANK BY HANDLE. ALWAYS HOLD WATER TANK WITH TWO HANDS.

DO NOT use hot water. Use cool tap water.
DO NOT add any medication, essential oils, or salt.
DO NOT pour water into Mist Outlet Channel.

3. Screw Water Tank Cap back onto Water Tank. Turn the Water Tank over and place on Water Basin, making sure it fits perfectly.

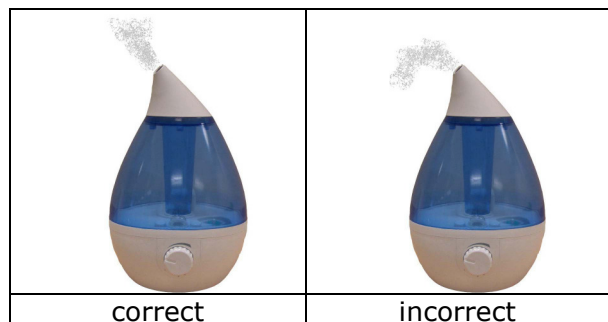


Note: Do not attempt to move the humidifier while Water Tank is placed on the Water Basin. Doing so may cause leakage of water and/or Water Basin to overflow.

4. Plug the power cord into a wall socket and turn on the unit by using the Control Knob.
5. The Power Indicator Light will illuminate in red. Within a few seconds, it will switch to green, indicating that there is enough water in the Water Basin. Mist will begin emitting through the Mist Lid.
6. Use the Control Knob to adjust the intensity of the mist output. It is best to have the mist knob at a medium setting.

SET THE CORRECT HUMIDITY

OUTPUT: Adjust the Control Knob so that the mist rises up to be absorbed by the room air. Do not set Control Knob too high, as the mist cannot be absorbed by the air and may accumulate on the surfaces around the humidifier.



7. When the humidifier runs out of water, the Power Indicator Light will turn red and the mist output will stop. This is a safety feature to prevent the humidifier from possibly overheating and damaging the Nebulizer. Turn the humidifier off and unplug the unit before removing and refilling the water tank.

Note: The Power Indicator Light on the humidifier will remain on. The red light indicates that the humidifier is turned on and needs to be refilled.

A NOTE ABOUT HUMIDITY

- It is best to keep the humidity level at about 40%-50% of relative humidity.
- In cold weather, windows and even some walls may fog or develop frost from excessive indoor humidity. If this occurs, reduce the mist output setting to avoid damage from condensed water dripping onto windowsills.
- Too much humidity in the room may allow moisture to accumulate on surfaces where bacteria and fungi can grow. Moisture that gathers may also damage furniture and walls, especially wallpaper.
- To reduce excessive humidity, especially in small rooms, leave the room door open and adjust the mist intensity control setting.

MAINTENANCE

It is important to keep ultrasonic cool mist humidifiers clean. Cleaning and disinfecting on a regular basis is important for maintaining the performance of your humidifier

IMPORTANT

DO NOT leave water in Water Tank or Water Basin when unit is not in use as it may result in the buildup of mineral deposits and bacteria that can inhibit the output efficiency of the humidifier. If water remains in the Water Tank for more than a day or two, bacterial growth is possible.

DAILY MAINTENANCE

1. Always turn off and unplug from outlet before cleaning.
2. Empty water from the water tank and water basin daily.
3. Wipe and dry water basin with a clean, dry cloth or paper towel.
4. Replace the water tank.

WEEKLY MAINTENANCE

1. Always turn off and unplug from outlet before cleaning.
2. Empty water from the water tank and water basin.
3. Fill the water tank with about a half-gallon of warm water. Add 2 Tablespoons of white vinegar. Shake vigorously and let sit for 20-30 minutes. Shake vigorously again and empty the water. Rinse water tank.
4. Make similar white vinegar/water solution. Pour into water basin. Let sit for 20-30 minutes, and then empty. Rinse water tank. Wipe dry with a clean, soft cloth.
5. Wipe the exterior surface water tank and water basin with a soft, dry cloth.
NEVER IMMERSER WATER BASIN IN WATER.

END-OF-SEASON MAINTENANCE & STORING YOUR HUMIDIFIER

1. Always turn off and unplug from outlet before cleaning.
2. Empty water from the water tank and water basin.
3. Disinfect water tank and water basin with the white vinegar and water solution.
4. Make sure that water tank has air dried without the water cap secured.
5. Make sure the water basin and water tank are completely dry before end of season storage. Store the humidifier in a cool dry place.
6. **DO NOT** place any heavy items on top of humidifier during storage as this may result in possible damage of the humidifier.
7. Store the cord in a clean, dry location away from metal objects. Always check the plug before use to ensure metal items have not become attached.

TROUBLE SHOOTING

DO NOT attempt to repair the motor or nebulizer yourself. If the humidifier continues to not operate please contact Crane Customer Care: 888-599-0992 or customer-service@crane-usa.com.

Problem	Solution
<i>Humidifier power indicator light is staying red and not turning green:</i>	<ul style="list-style-type: none"> ▪ Ensure that the water tank cap is secured properly to water tank. ▪ Empty out water in water basin. Place filled water tank on to empty water basin. ▪ Clean Water Level Sensor. To clean the water level sensor, unscrew or snap off (depending on style) the plastic cap from the pin. Remove the water level sensor float and clean by wiping the parts with a soft, damp cloth. Replace the parts by first putting the water float onto the pin and replacing the plastic cap on pin.
<i>If humidifier does not have any power:</i>	<ul style="list-style-type: none"> ▪ Ensure unit is properly plugged into a power outlet. ▪ Check that the Control Knob is turned to the ON position. ▪ If Power On indicator light does not come on, contact Crane Customer Care.
<i>If there is a strange odor:</i>	<ul style="list-style-type: none"> ▪ Clean the Water Tank with the water and vinegar solution and rinse with clean water. ▪ Leave the empty Water Tank open for some time (without the Water Tank Cap attached) in a cool place.
<i>The power indicator light is green, but there is no mist being emitted:</i>	<ul style="list-style-type: none"> ▪ Check that there is water in the Water Tank. ▪ Make sure that nothing is blocking the Mist Lid. ▪ Check that the Fan Vent on the bottom of the humidifier is not blocked. ▪ Empty and rinse the Water Basin with cool tap water. ▪ Check for possible mineral deposits on the Water Level Sensor and Nebulizer.
<i>White dust appears and settles outside the humidifier:</i>	<ul style="list-style-type: none"> ▪ Area tap water may have too many minerals. Change to filtered or distilled water or purchase a Crane demineralization filter cartridge (www.crane-usa.com).

CUSTOMER CARE

If you have any questions with regard to the operation of this humidifier or are in need of a spare part, please contact Crane Customer Care.

Crane USA, Inc.

621 IL Route 83, Suite 202
Bensenville, Illinois 60106

Toll Free: 1-888-599-0992 (Monday - Friday 9:00am - 4:00pm CST)

Email: customer-service@crane-usa.com

Website: <http://www.crane-usa.com>

NOTE: Spare Parts can also be purchased online at <http://www.crane-usa.com>.

ENVIRONMENTAL PROTECTION



If the humidifier should no longer operate, please be sure to dispose of the unit in an environmentally friendly way by taking it into a public collection point. Please do not place broken humidifiers with your regular household waste.

LIMITED WARRANTY

Thank you for purchasing a **Crane** product. This Ultrasonic Humidifier was tested and meets our stringent quality standards. This product is warranted to be free from manufacturing defects under normal use and conditions for 1 year.

PLEASE DO NOT RETURN THIS PRODUCT TO THE STORE. CALL US FOR PROBLEMS AND QUESTIONS. WE CAN HELP.

If you experience unsatisfactory operation, first refer to the troubleshooting section in the manual to ensure that it is not due to care or cleaning. Follow Care and Cleaning Instructions from manual. You can also visit www.crane-usa.com Customer Care for information.

If you have any questions or comments, please call Crane Customer Care, Toll Free: 888-599-0992 or Email customer-service@crane-usa.com. Please specify the style and model number so our Customer Care Department can assist you.

WARRANTY REQUIRES A DATED PROOF OF PURCHASE.

This warranty is void if the defect is due to accidental damage, misuse, abuse, neglect, improper repair or alteration by unauthorized persons, or a failure to follow operating instructions provided with the product. This warranty does not apply to normal wear and tear or commercial use.

The warranty is non-transferable and applies only to the original purchaser and does not extend to subsequent owners of the product. Liability under this warranty is limited to repair or replacement. In no event shall liability exceed the purchase price paid by the purchaser of the product. Under no circumstances shall there be liability for any loss - direct, indirect or incidental - or consequential damage arising out of, or in connection with the use of this product.

This warranty is valid only in the 48 contiguous states plus the District of Columbia and excludes Puerto Rico and the Virgin Islands. This warranty is effective only if the product is purchased and operated in the United States of America.

This warranty gives you specific legal rights; however you may have other rights that vary from state to state. Some states do not allow limitation on implied warranties or exclusion of consequential damages; therefore these restrictions may not apply to you.

Any instructions or warranty included in this manual may be subject to change without notice. For the most up-to-date instructions and warranty information, please contact us or visit our website.

To receive warranty instructions and return authorization, please call or email Crane Customer Care.

Crane USA, Inc.

621 Route 83, Ste 202, Bensenville, Illinois 60106

Toll Free: 1-888-599-0992 (Monday - Friday 9:00am - 4:00pm CST)

Email: customer-service@crane-usa.com

Website: <http://www.crane-usa.com>

CRANE WARRANTY