



Windham™ Pro Force®

All-in-one HET-High Efficiency Toilet
404705

Features

- Optimized siphonic flush action maximizes bulk waste removal; one flush performance.
- Elongated bowl has an extended rim length for comfortable use by adults.

Material

- Crafted of Grade A vitreous china to provide a durable, non-porous product with a hard, glossy finish.

Installation

- Three-bolt quick-connect installation system.
- Includes toilet seat, wax ring, and toilet bolts for easy installation.

Components

Additional included component/s: Trip lever, Bolt cap accessory pack, Bowl, Tank, Tank lid, Toilet seat, and Wax ring and hardware installation kit.



ADA OBC

Codes/Standards

ASME A112.19.2/CSA B45.1
EPA WaterSense®
ADA
ICC/ANSI A117.1
OBC

STERLING® Warranty - Toilets and Lavatories

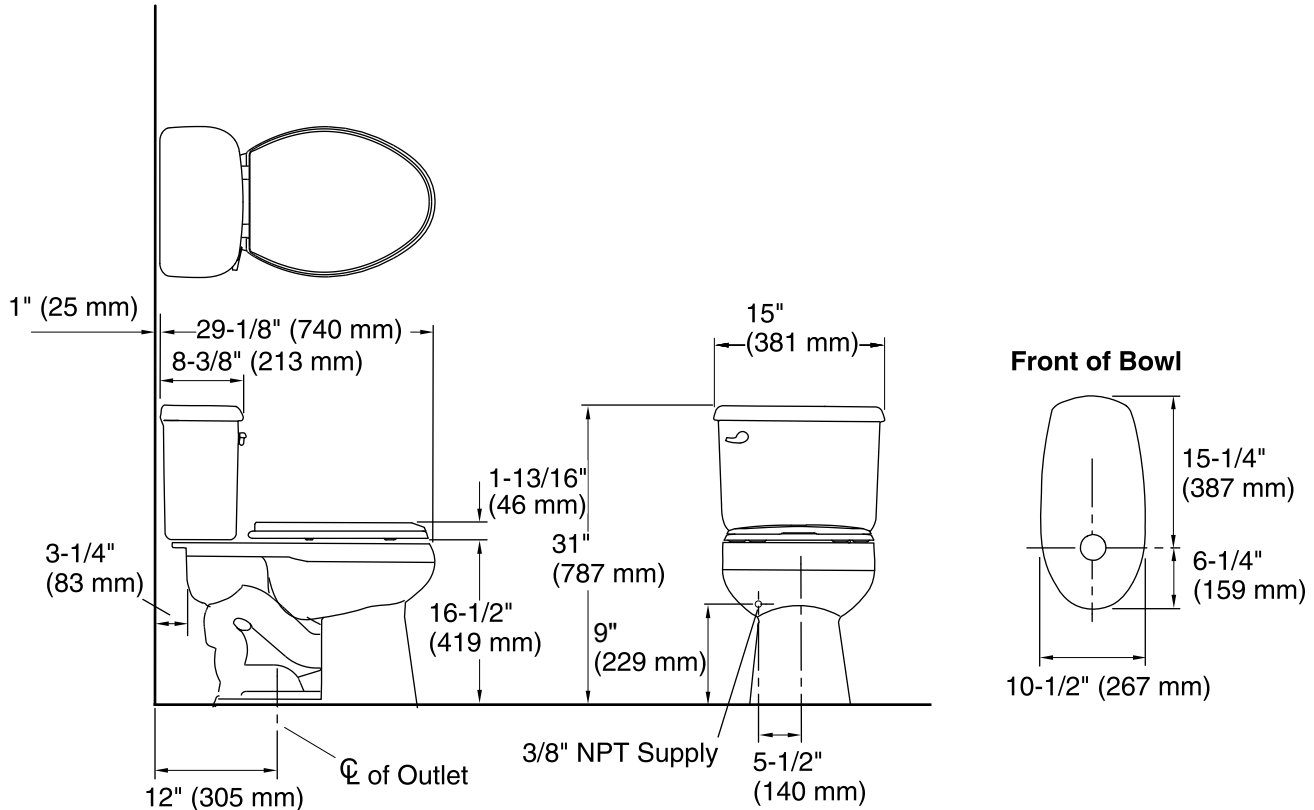
See website for detailed warranty information.

Available Color/Finishes

Color tiles intended for reference only.

Color Code Description

● 0 White



Technical Information

All product dimensions are nominal.
 Toilet type: Two-piece
 Bowl shape: Elongated front
 Trap passageway: 2" (51 mm)
 Water surface size: 8" x 10" (203 mm x 254 mm)
 Seat-mounting holes: 5-1/2" (140 mm)

Notes

Install this product according to the installation guide.
 One flush cleansing of the bowl per ASME A112.19.2/CSA B45.1 and Dual Flush toilets per ASME A112.19.14-2006 performance requirements, when installed and operated per instructions packed with the product.
 The Model Plumbing Codes require the installation of elongated open-front toilet seats in public bathrooms.
 The model is acceptable for left-hand Accessible compartment installations only.
 Will comply with CSA B651 when installed per Clause 4.3.6 of the standard.
 ADA, OBC compliant when installed to the specific requirements of these regulations.
 The Model Plumbing Codes require the installation of elongated open-front toilet seats on public bathrooms.