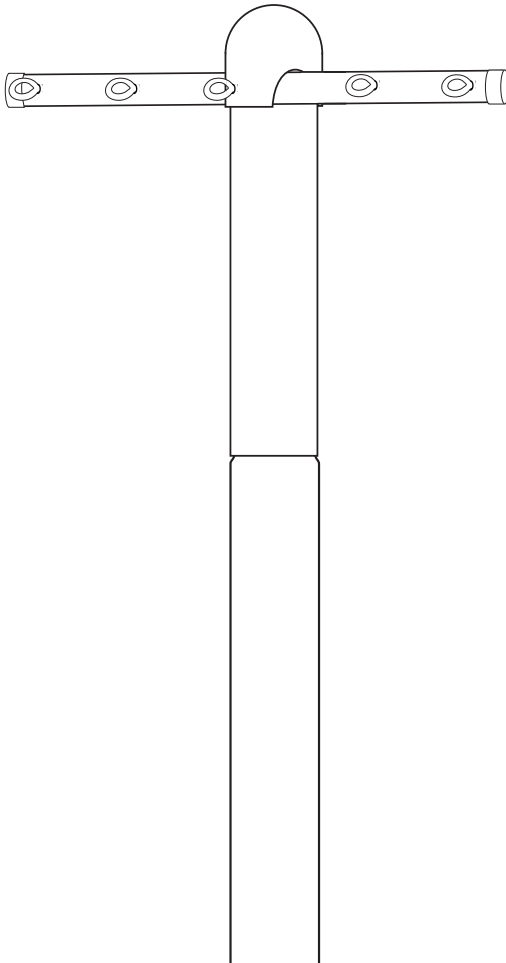




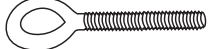




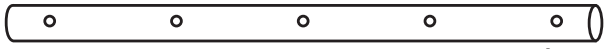


DRY-01452

6 foot steel clothesline post



45 in L x 3 in W x 72 in H (114.3 cm L x 7.6 cm W x 182.9 cm H)

PARTS LIST

PART/ILLUSTRATION	(QTY) DESCRIPTION
A 	(4) short eye bolts
B 	(1) long eye bolt
C 	(5) nuts
D 	(2) cross bar caps
E 	(1) post cap
F 	(1) cross bar
G 	(1) upper post
H 	(1) lower post

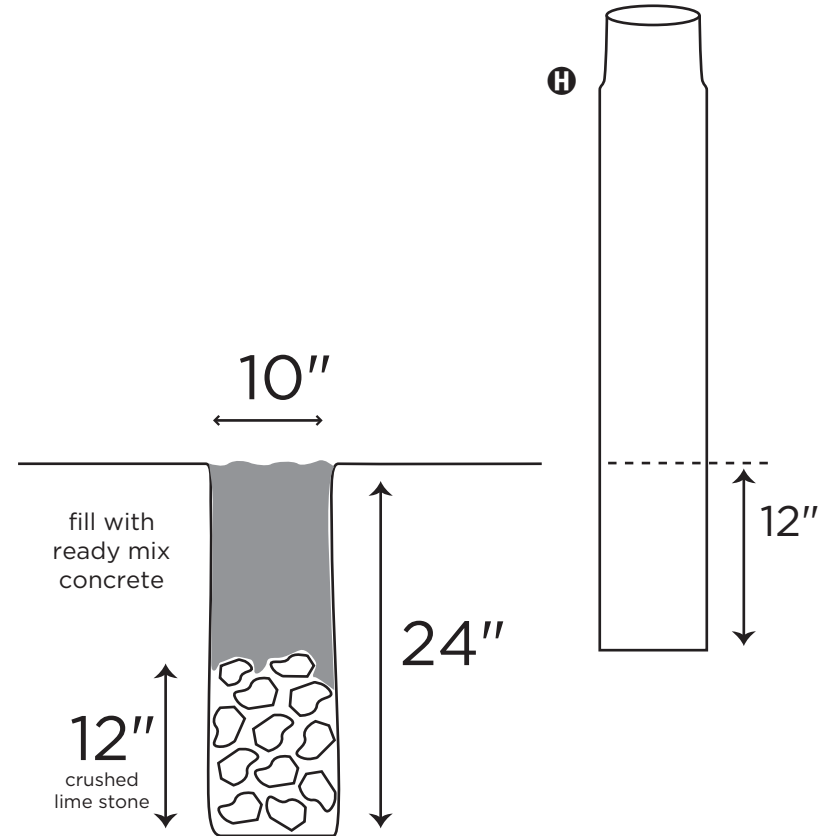
•not included MATERIALS NEEDED	ASSEMBLY TOOLS NEEDED
-----------------------------------	-----------------------

- Ready Mix Concrete - 1 cubic foot
- Crushed Lime Stone - 1 cubic foot
- Clothesline

- Post hole digger or small shovel
- Level
- Adjustable wrench
- Large screw driver

ASSEMBLY

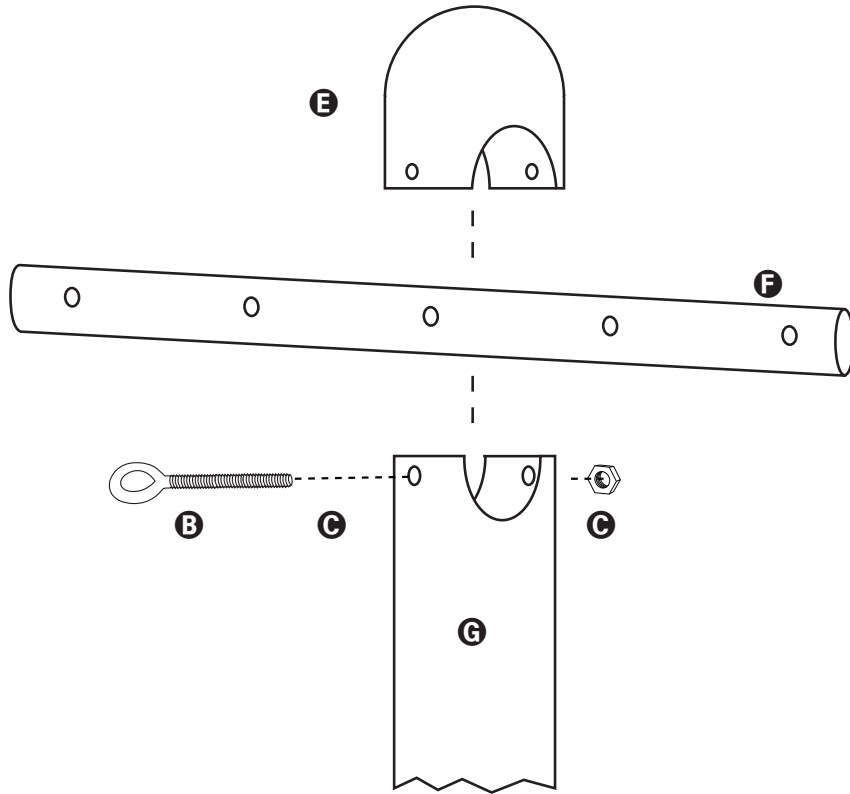
PART 1



1. Begin by digging a hole 10 inches in diameter and 24 inches deep at the desired T-Post location. Distance between posts should be no more than 30 feet.
2. Mark the lower post 12 inches from the bottom. Be certain that this line remains at ground level during the entire installation.
3. Place crushed lime stone in hole and tamp down so that when lower post **H** is placed in hole the 12" mark from step 2 above is level with the top edge of hole.
4. Mix concrete and fill the hole.
5. Place lower post **H** into hole, level and brace until concrete has dried. Allow concrete to fully set before proceeding to Part 2.
6. Cover top of bottom post with a plastic bag and tape in place to keep inside of post dry and empty.

ASSEMBLY

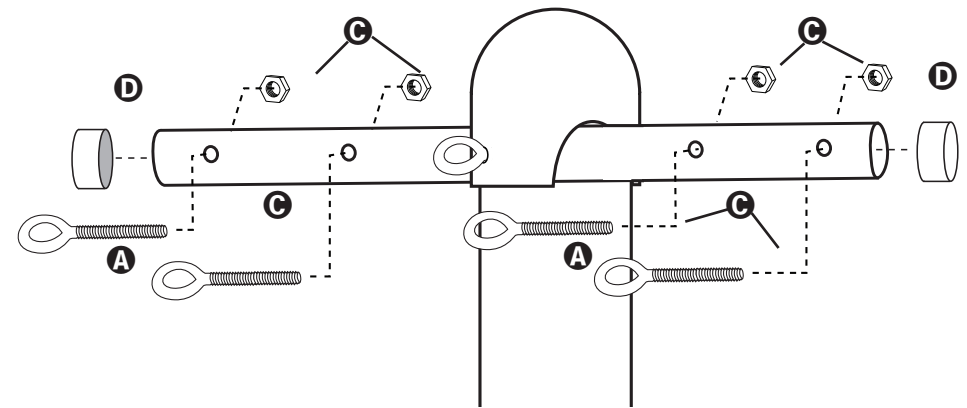
PART 2



1. Place cross bar **F** into the notch at the top of the top post **G** and align the center hole with the 2 holes at the top of the notch.
2. Place cap **E** on top of cross bar **F** and upper post **G** and align the holes with the same holes from step 1.
3. Place long eye bolt **B** through post cap **E**, upper post **G**, and center hole of cross bar **F**. Secure in place by threading nut **C** on the exposed end. Tighten by placing screw driver shaft through the open end of long eye bolt **B** and adjustable wrench on nut **C**.

ASSEMBLY

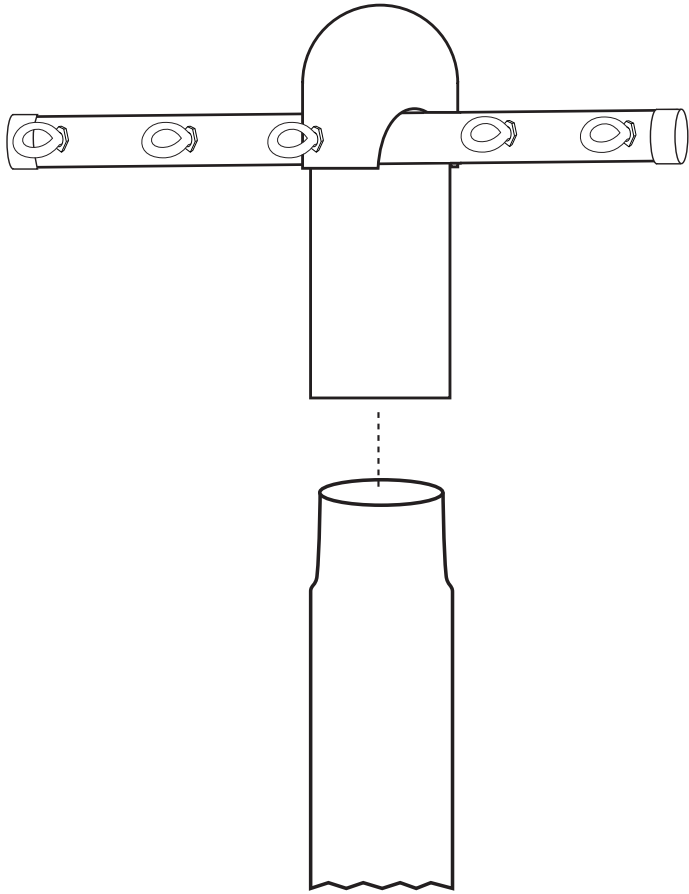
PART 3



1. Insert each of the short eyebolts **A** into the remaining holes in the cross bar **F**. Tighten by placing screw driver shaft through the open end of long eye bolt **A** and adjustable wrench on nut **C**.
2. Place the cross bar caps **D** on to each end of cross bar **F**.

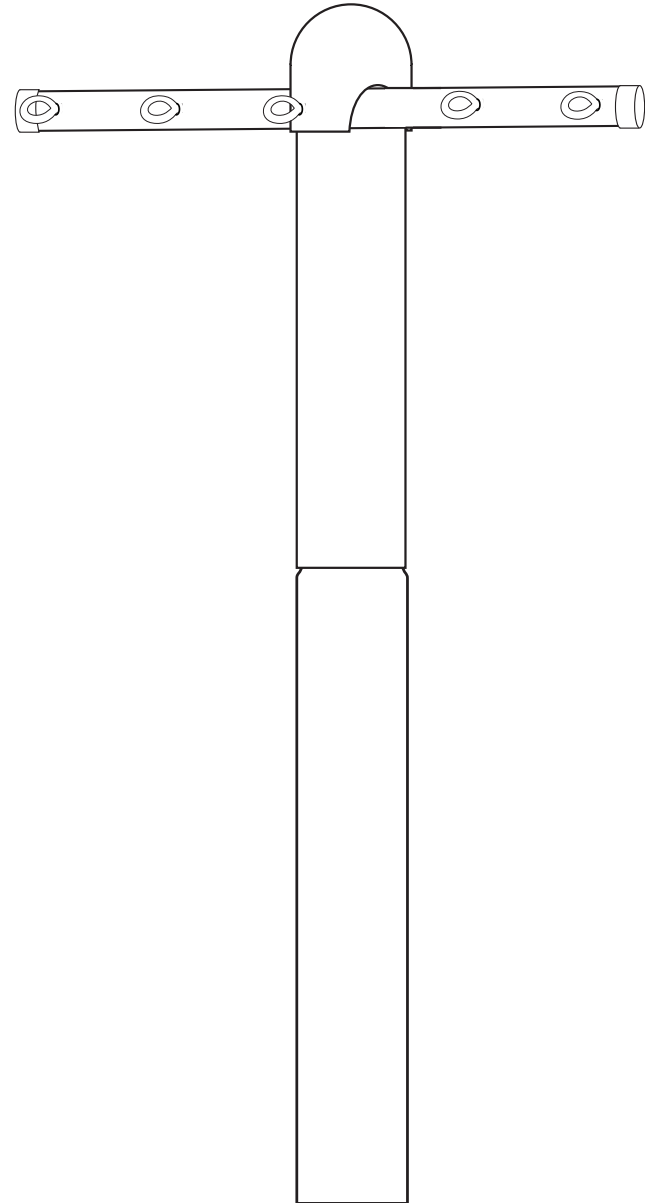
ASSEMBLY

PART 4



1. Make certain that concrete has ample time to set and cure.
2. Remove plastic bag covering the bottom post from part 1 step 6.
3. Place the upper post assembly on top of bottom post.
4. When clotheslines are installed do not over tighten as weather conditions can shorten lines and cause damage to post. Clotheslines will last longer if kept slack and clothes props are used.

6



7



YOUR SOURCE FOR
ORGANIZATION,
STORAGE & STYLE

LIMITED LIFETIME WARRANTY

This product is warranted to be free of defects in material and workmanship for as long as the consumer owns the product. At Honey-Can-Do's option, defective product will be repaired, replaced or substituted with a product of equal value. For warranty service, e-mail Honey-Can-Do at warranties@honeycando.com or call at **(877) 242-2636** (Business Hours: 8a.m. to 4p.m. CST). You may also contact Honey-Can-Do at 5750 McDermott Drive, Berkeley, IL 60163. Do not dispose of the defective item until or unless you are specifically asked to do so by Honey-Can-Do as we may require return of the defective item. Honey-Can-Do shall in no event be liable for any incidental or consequential damages. Some states do not allow the exclusion or limitation of incidental or consequential damages, so the above exclusion may not apply to you. This warranty gives you specific legal rights, and you may also have additional rights, which may vary from state to state.

 PLEASE RECYCLE

120518