

ASSEMBLY INSTRUCTIONS



4-tier accessory rack

ITEM # SHO-01172

DIMENSIONS

40.2-65.75"H x 33.1"W x 16.7"D
(102-167 cm x 84.0 cm x 42.5 cm)

(QTY) DESCRIPTION	PART	ILLUSTRATION
(4) wire shelf	A	
(4) bottom upright	B	
(2) top upright	C	
(4) caps	D	

Tools needed:

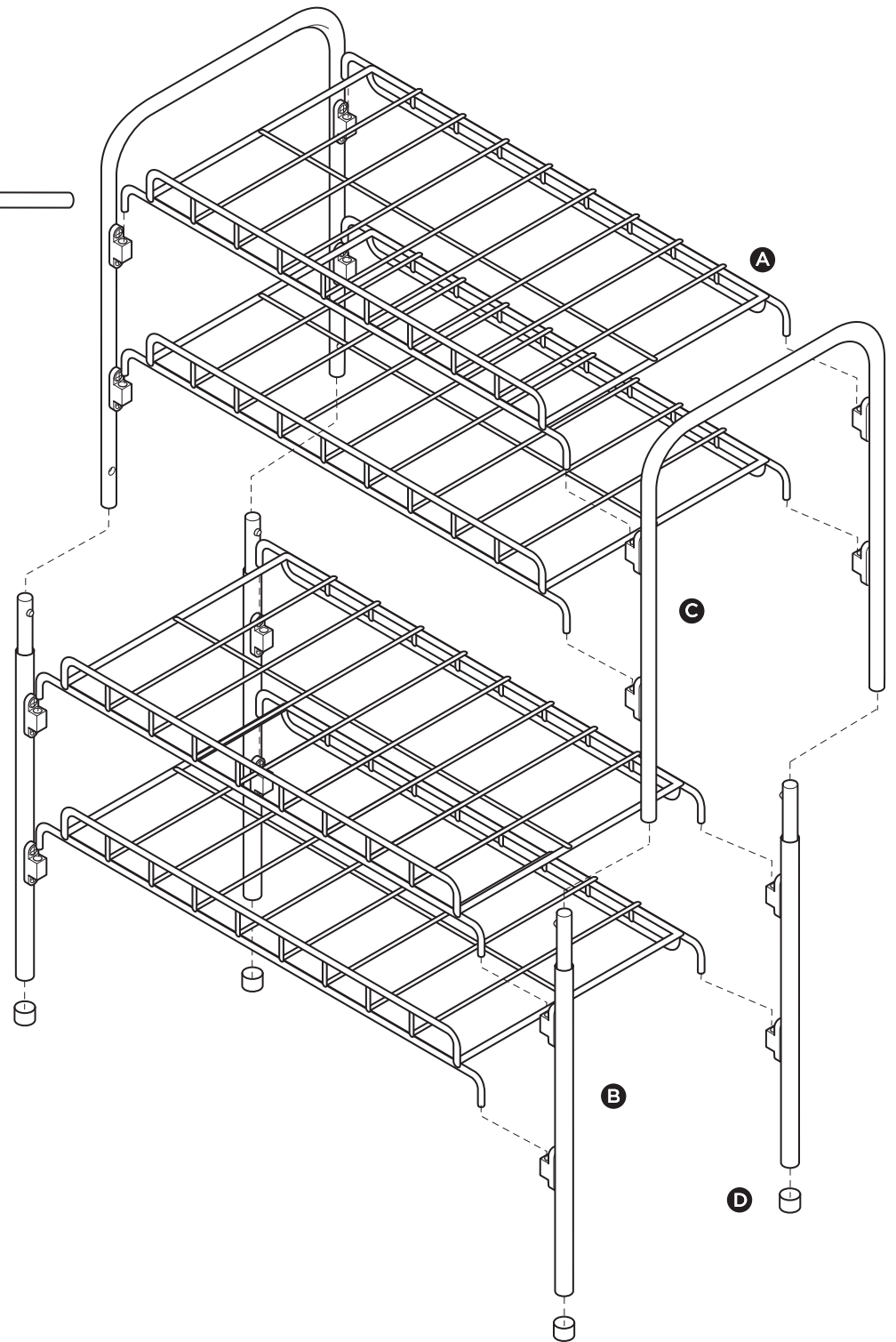
- rubber mallet (optional)

INSTRUCTIONS

Thank you for purchasing a Honey-Can-Do Accessory Rack. Please follow these step-by-step instructions. Please plan to spend about 5 minutes assembling your new rack.

1. To begin, take two bottom uprights (B) and attach the hooked ends of one wire shelf (A) into the bottom most holes of the uprights (B). Complete the bottom shelf unit by attaching the hooked ends of the shelf (A) to the bottom most holes of the remaining two bottom uprights (B).
2. Stand the shelf upright. Insert the hooked ends of a second wire shelf (A) into the remaining holes on the bottom uprights (B). Place the caps (D) onto the bottom ends of the unit.
3. Next, place the top uprights (C) over the tapered ends of the bottom uprights (B).
4. Attach the remaining shelves by inserting the hooked ends of the wire racks into the holes on the top upright unit. Enjoy your Accessory Rack from Honey-Can-Do!

For assistance, please contact us at info@honeycando.com or 877.2.I.Can.Do.



LIMITED LIFETIME WARRANTY

This product is warranted to be free of defects in material and workmanship for as long as the consumer owns the product. At Honey-Can-Do's option, defective product will be repaired, replaced or substituted with a product of equal value. For warranty service, e-mail Honey-Can-Do at warranties@honeycando.com or call at (877) 242-2636. You may also contact Honey-Can-Do at 5750 McDermott Drive, Berkeley, IL 60163. Do not dispose of the defective item until or unless

you are specifically asked to do so by Honey-Can-Do as we may require return of the defective item. Honey-Can-Do shall in no event be liable for any incidental or consequential damages. Some states do not allow the exclusion or limitation of incidental or consequential damages, so the above exclusion may not apply to you. This warranty gives you specific legal rights, and you may also have other rights, which may vary from state to state.