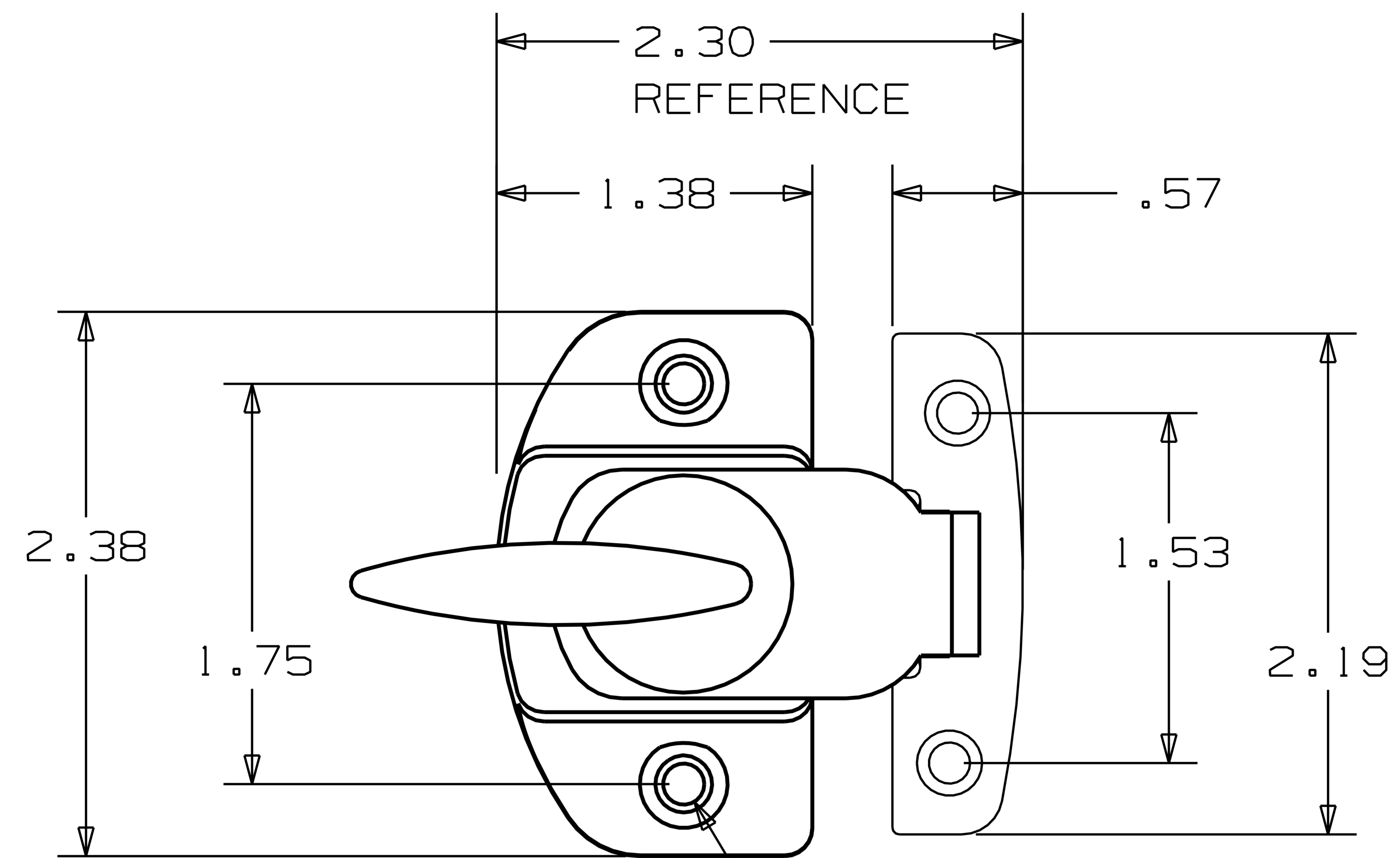
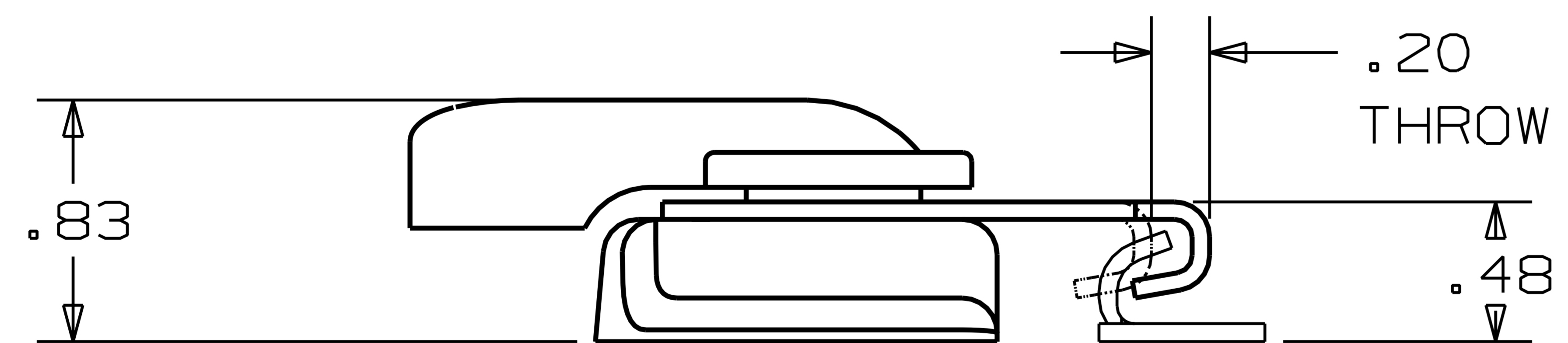


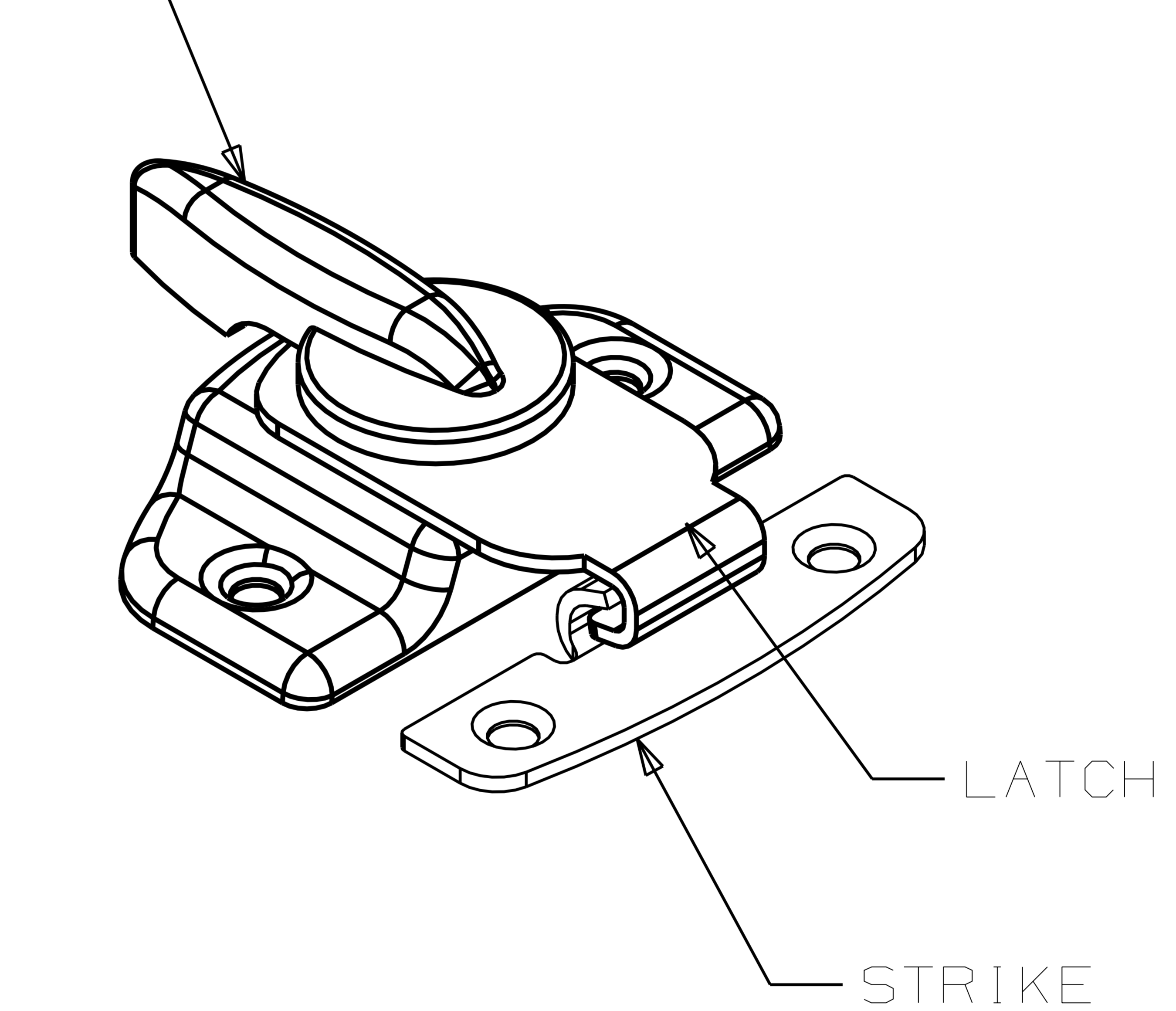
N602/S7076



.18  $\varnothing$  THRU  
C-SUNK FOR  
#7x3/4 FHWS



ROTATES 90 DEG EACH DIRECTION  
ONE DIRECTION SWINGS LATCH 90 DEG  
OTHER DIRECTION DRAWS LATCH TO TIGHTEN



Dimensions shown are nominal and  
subject to change. For critical design  
specification, contact [techinfo@natman.com](mailto:techinfo@natman.com)  
©2010 National Manufacturing Co.