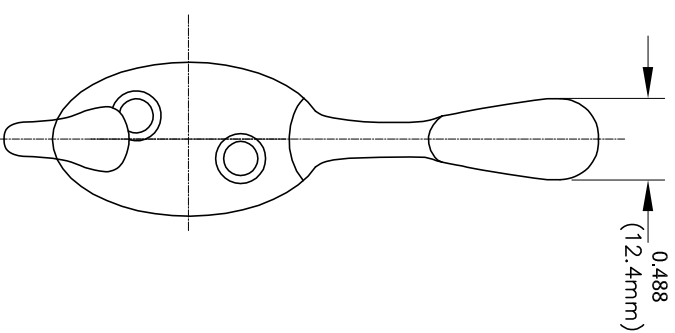
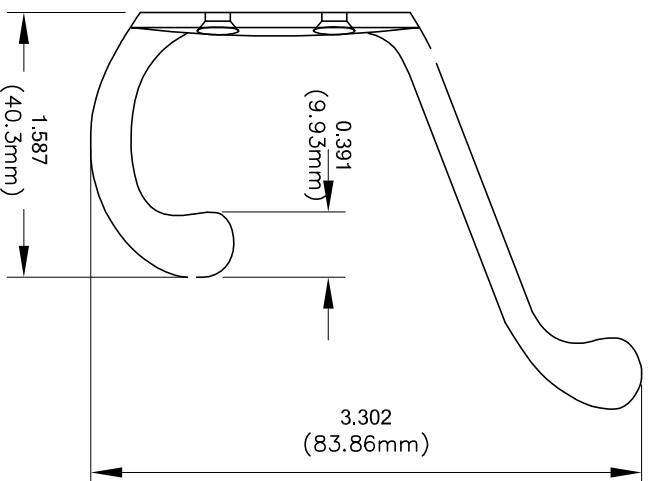
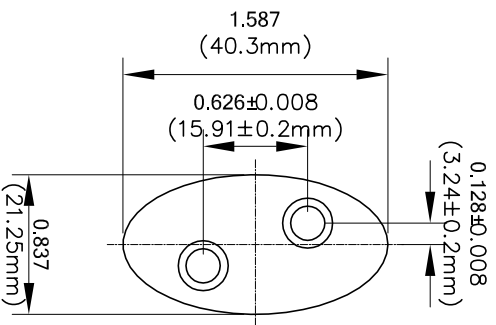
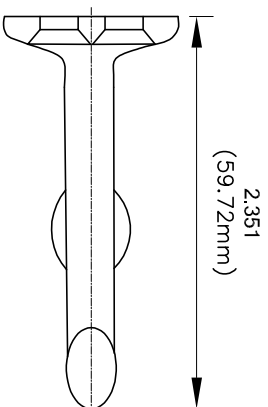


166 COAT & HAT HOOK
(U-12922)



NOTES:

- 1) MATERIAL: ZINC DIE CAST (ZAMAK 3)
- 2) PRODUCT IS SUPPLIED WITH (2) #8X1", OVAL HEAD. TYPE I RECESS. WS FULL THREAD. STEEL. HARDENED.

166 COAT & HAT HOOK
(U-12922)