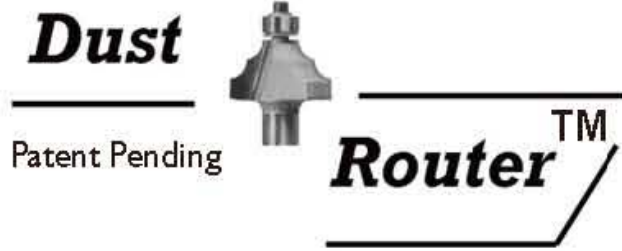


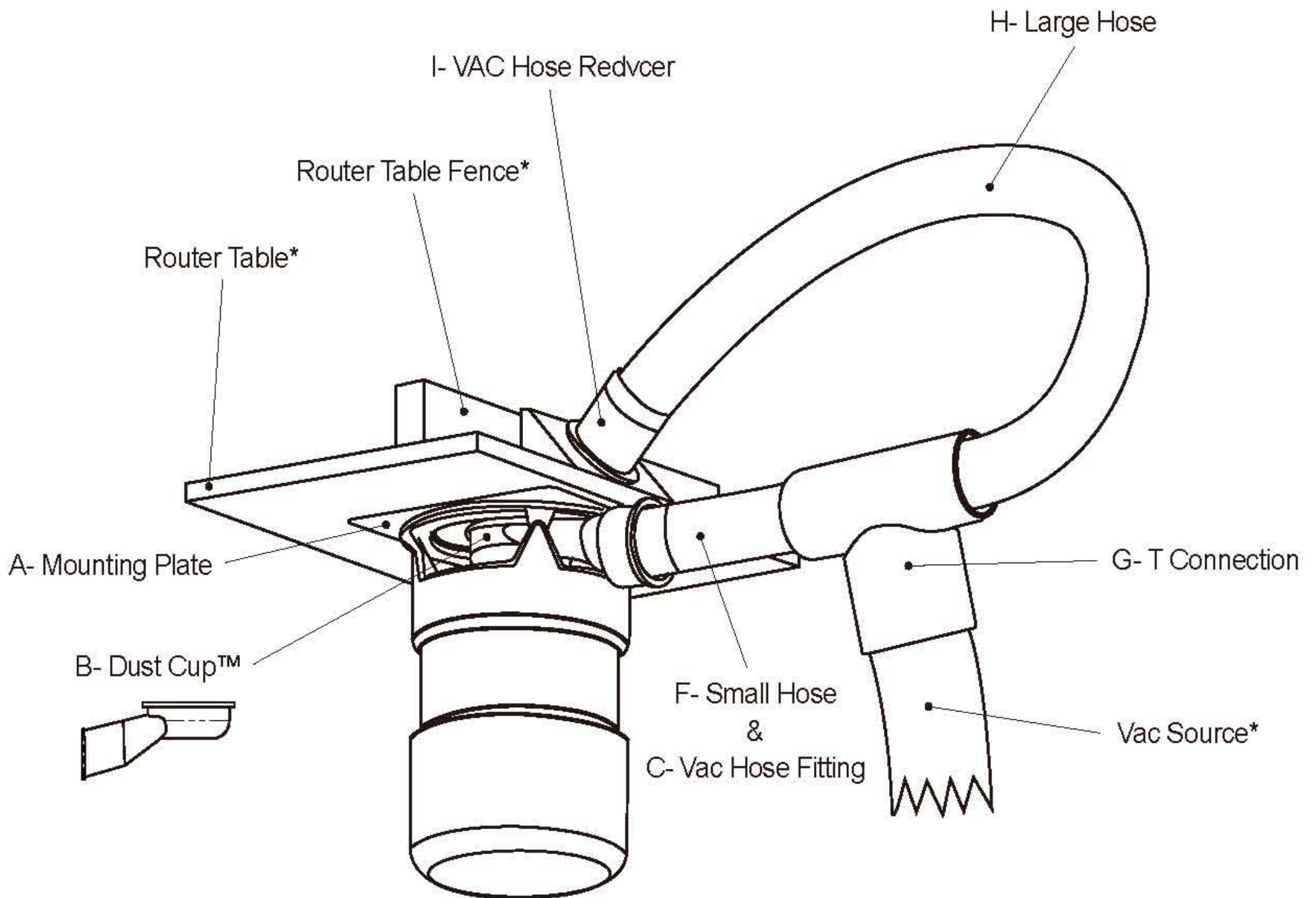
Dust Collector Kit for Router Tables



WARNING! – Install, clean and remove Dust Router™ system with cutting bit removed, with the router off and unplugged.

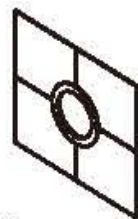
SAFETY INSTRUCTIONS

1. Be sure that the collet of the router spins freely without touching the Dust Cup™
2. Never put fingers into Dust Cup™ when cutting tool is in place
3. Always use a tool without a sharp edge to remove any blockages
4. Refer to your router operating manual for additional safety instructions.

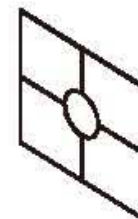


Parts not shown or visible:

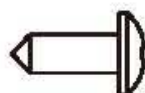
A- Dust Cup mounting Plate



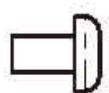
J. Mounting template



D- 1/2" screws for strap



K- 3/8" Screws for mounting plate



E- Strap



* Not Included

Quick And Easy Installation

SAFETY FIRST! Always unplug router and remove cutting tool before connecting or maintaining the Dust Router™ system.

1. Remove the router and insert ring from the router table insert. Calculate & draw center lines (width & length) on the bottom side of the router table insert. (Fig.1)
2. **For routers not having lift mechanisms:** On the underside of the router table insert and using the center lines as a guide, center the Dust Cup™ mounting plate (A) with the hook fastener side facing up, (Fig. 2)

Drill 1/4" holes thru the mounting plate (A) to correspond with the mounting holes of the router and install router over the mounting plate and router table insert being sure not to allow the mounting plate to buckle. (Fig. 3). **Go to step 7 below**

3. **For routers having lift mechanisms:** Remove the router from the lift, unfasten the lift legs but leave the leg with dial indicator in place. Move the lift legs away from the router table insert. Using the mounting template card (J), center the card on the router table insert such that the centering lines on the card will match up with the center lines that you drew in step 1 above. Mark and cut the template so that it will fit around (not under) the dial indicator leg and the other legs of the lift when they are put back into position. (Be sure that the edges of the card have a slight clearance around each of the router lift legs and that the card still covers the openings between the legs and the router opening). Mark 4 equidistant holes for the mounting screws (D) on the template about 3/8" (10mm) away from the router opening. (Fig. 4)

4. Put the template card (J) on the dust cup mounting plate (A) with the hook fastener facing up, trace the sections to be cut out and cut the mounting plate. Now mark the mounting holes on the mounting plate, and drill 3/16" holes in the plate.

5. Center the mounting plate on the router table insert, and while maintaining the alignment of the plate to the insert, mark and then drill 1/8" holes in the router table **not more than 1/4" deep**. Loosely insert (4) 1/4" screws (D) and then tighten them being sure not to allow the mounting plate to buckle. Re-attach the lift mechanism legs. (Fig. 5)

6. Re-install the router into the lift mechanism.

7. Lower the router to it's lowest point away from the router table insert and remove the collet nut from the collet.

8. Insert the Dust Cup™ (B) thru the opening in the router or lift mechanism so that the vacuum connection of the cup will face the rear of the router table and so that the cup is centered around the collet. (Figs. 6 & 7)

9. Lift the Dust Cup™ up by hand so that the loop fastener of the cup attaches to the hook fastener of the mounting plate and reinstall of the collet nut. Raise the router and check to be sure that the Dust Cup™ is centered around the collet. If not centered, repeat steps 8 & 9.

10. Place router/insert assembly into the router table.

11. Raise the collet to it's highest point collapsing the flexible Dust Cup™, put cutting tool into collet, and put insert ring into router table insert. Lower the collet.

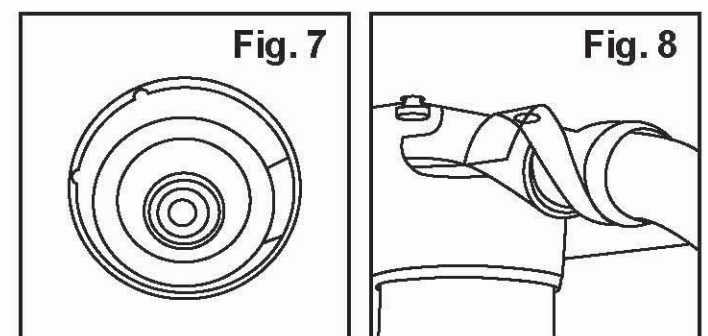
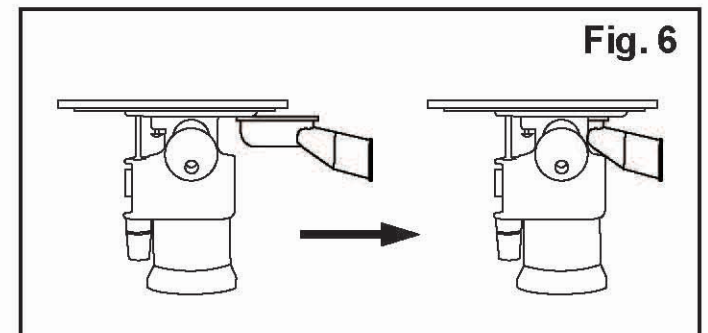
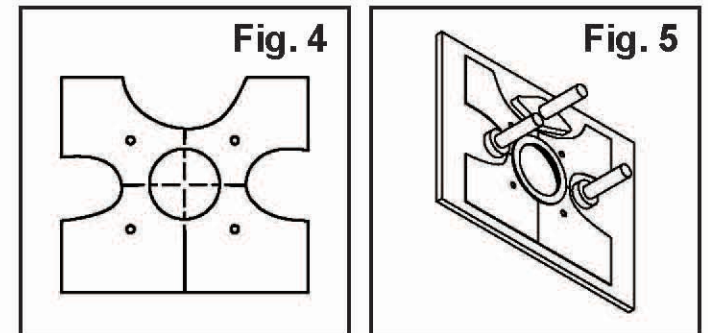
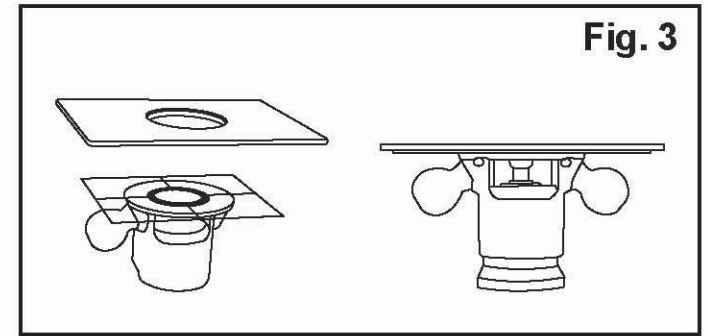
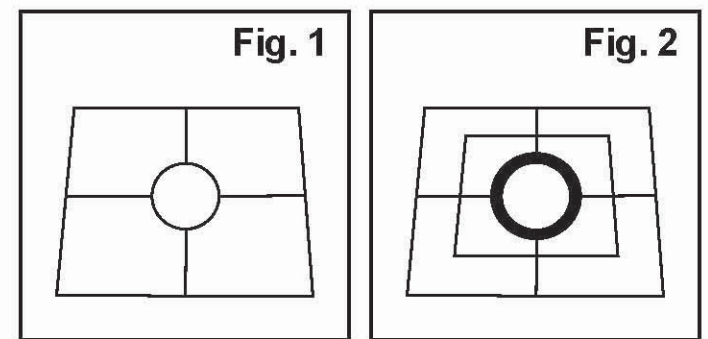
Installing the hose assembly

12. Connect the fittings as shown in the parts figure. The hose fittings screw on to the hoses in a counterclockwise direction.

13. Insert the vac hose reducer fitting (I) with large hose (H) into the fence port and the small hose (F) with vac hose fitting (C) into the vacuum connector of the Dust Cup™ (B).

14. Attach hose strap (E) over the small hose (F) and to the underside of the router table by drilling 1/8" hole thru the strap and table and using the screws (D) (Fig. 8)

15. Attach dust collector or workshop vac to vac port of the T connector (G), turn on vac, turn on router, CUT WOOD & BREATHE REAL EASY!!!!



Two Year Limited Warranty – Keen Products LLC will repair or replace, at its expense and its option, any Dust Router™ which in normal use has proven to be defective in workmanship or material, provided that the customer returns the product prepaid to Keen Products with proof of purchase within two years. Under no circumstances will Keen Products be liable for incidental or consequential damages resulting from defective products. This warranty is Keen Products LLC sole warranty and sets forth the customer's exclusive remedy, with respect to defective products; all other warranties, express or implied, whether of fitness for purpose, or otherwise, are expressly disclaimed by Keen Products LLC.