

### Features

- Advanced spray engine provides three spray options: powerful massage, intense drenching, or wide coverage
- Wide coverage spray produces an encompassing spray for everyday use
- Intense drenching spray delivers a forceful spray ideal for rinsing soap from hair
- Targeted spray is a focused stream for targeting sore muscles or use as a utility spray
- Rite-Temp® technology automatically maintains water temperature within 3°F for anti-scalding protection and precise control
- KOHLER finishes resist corrosion and tarnishing for durability and reliability

### Material

- Premium material for durability and reliability

### Installation

- Set includes: showerhead, showerarm and flange, valve trim plate, diverter spout with 1/2" NPT or slip-fit connection and Rite-Temp valve with 1/2" connections
- For bath or shower application

### Water Conservation & Rebates

- 2.0 gpm (gallons per minute) showerhead flow rate
- WaterSense®-labeled 2.0-gpm showerheads use at least 20 percent less water than standard 2.5-gpm showerheads while still meeting strict performance guidelines

### Adapters, Rough-in and Extension Kits

1073881





### Codes/Standards

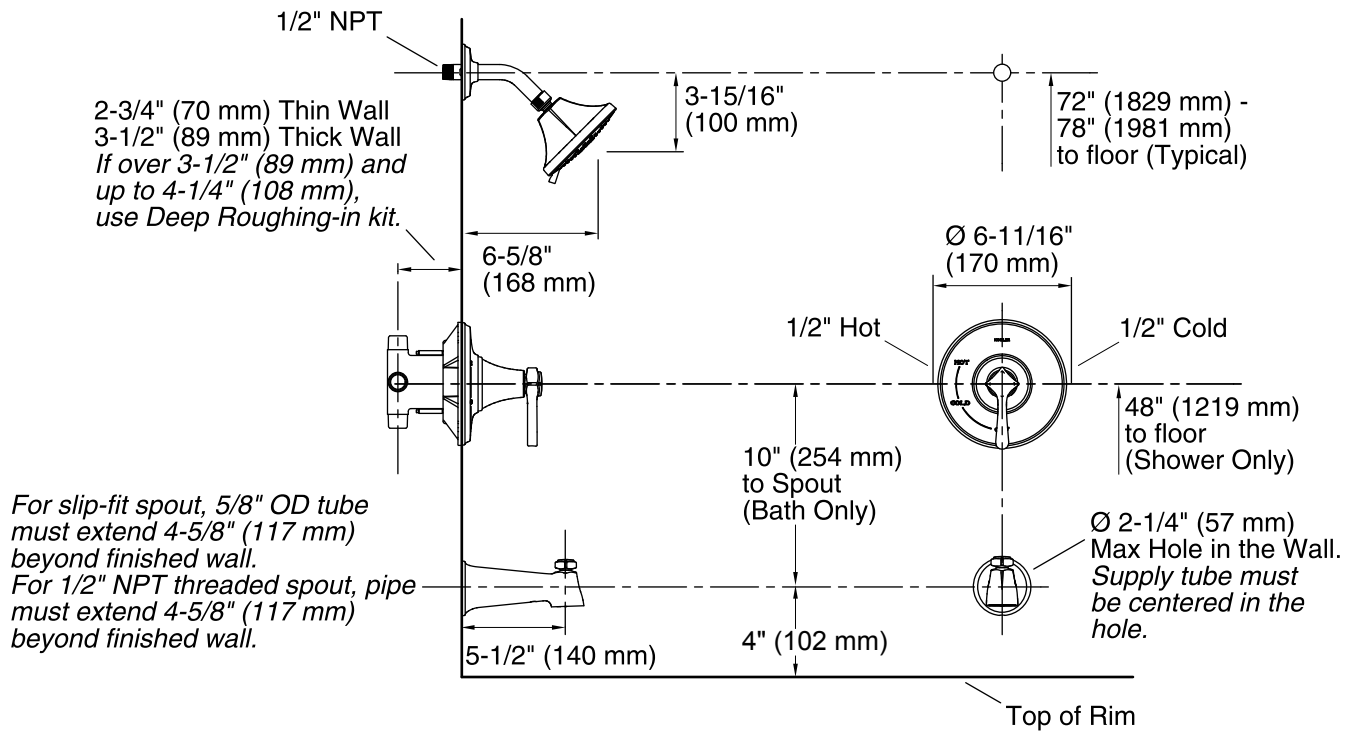
ASME A112.18.1/CSA B125.1  
DOE - Energy Policy Act 1992  
EPA WaterSense®

See website for detailed warranty information.

### Available Color/Finishes

*Color tiles intended for reference only.*

| Color  | Code | Description             |
|--|------|-------------------------|
|  | BN   | Vibrant® Brushed Nickel |
|  | 2BZ  | Oil-Rubbed Bronze       |



## Technical Information

All product dimensions are nominal.

Valve body: Machined Brass

### Shower Valve:

Flow rate - Max: 2 gal/min (7.6 l/min)  
Flow rate - Min: 1.6 gal/min (6.1 l/min)  
Pressure - Max: 80 psi (5.5 bar)  
Pressure - Min: 45 psi (3.1 bar)

### Showerhead:

Rated maximum flow: 2 gal/min (7.6 l/min)  
Pressure: 80 psi (5.5 bar)

## Notes

Install this product according to the installation guide.

For use with showerheads or handsprays rated at 1.6 gal/min (6.1 l/min) or higher.

Avoid cross-flow conditions. Do not install a shut-off device on either valve outlet.

Cap the shower outlet if the deck-mounted spout, diverter, or handshower is connected to the spout outlet.

Install straight pipe or tube drop of 7" (178 mm) to 18" (457 mm) with single elbow between the valve and the wall-mount spout. Elbow must be a 90 degree drop ell that is secured to rigid framing.