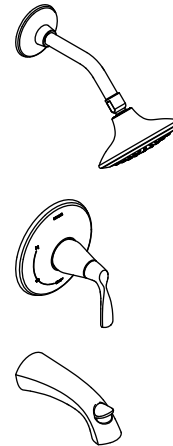


Features

- Premium construction
- MasterClean™ spray nozzles prohibit mineral buildup for easy cleaning
- Single-function showerhead with Katalyst™ Spray Technology (patent pending)
- Single-function showerhead with air induction ball joint (patent pending)
- Single-function showerhead with 2.0 gallon (7.6 L) per minute flow rate
- Rite-Temp® pressure-balancing diaphragm design valve
- Heavy duty slip-fit clamp design and NPT threaded spout

**BATH & SHOWER TRIM SET
K-R37028**



Codes/Standards Applicable

Specified model meets or exceeds the following:

- ASME A112.18.1/CSA B125.1
- ASSE 1016

Colors/Finishes

- CP: Polished Chrome
- Other: Refer to Price Book for additional colors/finishes

Accessories

- NA: None applicable

Specified Model

Model	Description	Colors/Finishes	
K-R37028-4E	Bath & shower trim set	<input type="checkbox"/> CP	<input type="checkbox"/> Other _____
Optional Accessories			
1073881	Deep roughing-in kit for K-304 Rite-Temp valve	<input type="checkbox"/> NA	

Product Specification

The bath & shower trim set shall be made of premium construction. Product shall feature MasterClean spray nozzles to prohibit mineral build-up for easy cleaning. Product shall be intended for use with Rite-Temp pressure-balancing diaphragm design valve. Product shall have a single-function showerhead with Katalyst Spray Technology (patent pending) and air induction ball joint (patent pending). Product shall feature 2.0 gallon (7.6 L) per minute flow rate. Product shall feature heavy duty slip-fit clamp design and NPT threaded spout. Product shall be Kohler Model K-R37028-4E-____ .

MISTOS™

Installation Notes

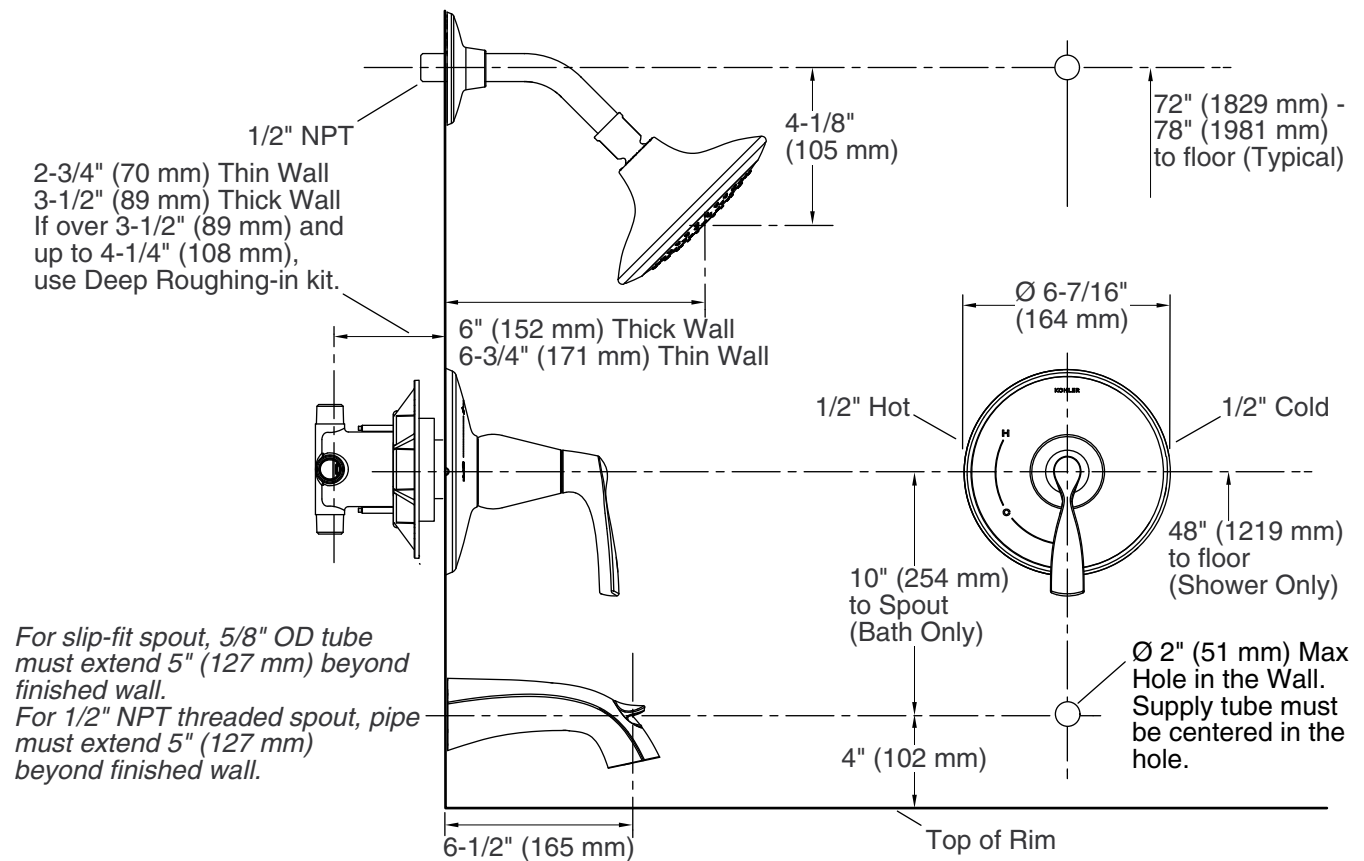
Install the valve trim according to the installation guide.

Install the Rite-Temp valve according to the installation guide.

Avoid cross-flow conditions. Do not install a shut-off device on either valve outlet.

Cap the shower outlet if the deck-mounted spout, diverter, or handshower is connected to the spout outlet.

Install a 7" (178 mm) to 18" (457 mm) straight pipe or straight tube with single bath elbow between the valve and the wall-mount spout.



Product Diagram