

HEPD50

Square D Home Electronics Protective Device

The Square D™ Whole Home Electronics Protective Device (HEPD50) is a compact and affordable surge suppressor designed for installation in residential load centers from any load center manufacturer.

The HEPD50 reduces surges that might otherwise overwhelm plug strips and damage connected household equipment. It also provides surge suppression for important items that are not compatible with plug strips such as washers, dryers, refrigerators, stoves, heating and air conditioning equipment. Homes may experience up to 100 surges per month, and most come from inside the home! With the typical house containing up to \$15,000 worth of sensitive equipment vulnerable to surge, provide peace of mind with the HEPD50 Surge Protective Device.

Home Electronics Protective Devices (HEPDs) Features

Superior Performance

Square D brand Home Electronics Protective Devices (HEPDs) utilize high-energy suppression circuitry to protect household equipment.

Each MOV is individually fused with both thermal and overcurrent fusing. HEPDs carry a NEMA Type 4X rating suitable for installing indoors or outdoors.

NEMA 4X rated for use on any brand of indoor/outdoor residential load center.

Warranty

The HEPD has a limited warranty of 3 years with a \$50,000 connected equipment warranty for residential applications.

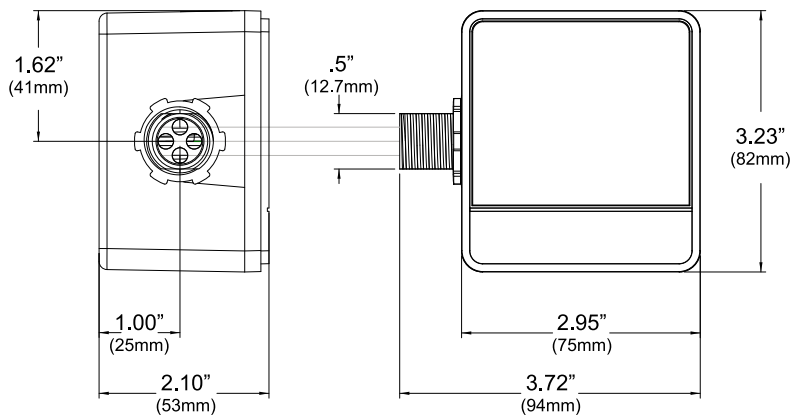


The HEPD50 Surge Protective Device Advantage

- Easy to install — Mounts next to any residential load center
- Small footprint and cost — Compact and affordable surge suppressor. Type 1 SPD
- Enhance aesthetics — Suitable for indoor or outdoor installations
- Maximum protection — Long lasting protection against powerful surges, up to 50 kA
- 3 Year Warranty — \$50,000 downstream equipment protection
- Application flexibility — Rated for indoor or outdoor use, withstands harsh conditions

Installation:

Installation of the HEPD50 is easy. The HEPD50 attaches to any residential load center on the market.



Performance

Surge Current Rating per Phase	50kA
Short Circuit Current Rating	25kA
Modes of Protection	6
Fusing	Individually fused MOVs
Thermal Fusing	Yes
Overcurrent Fusing	Yes
Operating Frequency	50/60 Hz

Mechanical Description

Enclosure	Non-Metallic
NEMA Rating	Type 4X
Connection Method	#12 AWG, Stranded
Weight	1.1 lbs
Mounting Method	Close Nipped, Side Mounted
Operating Altitude	Sea Level-12,000' (3,658 m)
Storage Temperature	-31° F to +149° F (-35° C to +65° C)
Operating Temperature	-31° F to +149° F (-35° C to +65° C)
Operating Humidity	0 to 95% non-condensing

Diagnostics

Green status LEDs

Listings and Performance

cULus Listed to UL 1449 Type 1 SPD, CSA C22.2 No. 269.1-14, C233.1-87

Voltage	Surge Current per Phase	Modes of Protection	Configuration	Model Number	MCOV	SCCR	I _n	VPR			
								L-N	L-G	L-L	N-G
120/240V	50kA	6	1 Ø, 3-wire+G, side mount	HEPD50	150V	25kA	10kA	600V	600V	1000V	900V

Schneider Electric USA, Inc.

800 Federal Street
Andover, MA 01810
888 SQUARED (888-778-2733)
www.schneider-electric.us

December 2016

Document Number 1300HO1602

Life Is On

