

**LIFAN**  
POWER  
USA

# PRO SERIES



**MODELS Available**

**LF4000(E)-CA**

**LF7250(E)-CA**

**LF8750iE-CA**

## **PRO SERIES GENERATORS**

# **Operating Instructions and Owner's Manual**

PLEASE READ THIS MANUAL CAREFULLY BEFORE OPERATING YOUR NEW PRO SERIES GENERATOR  
(CA) in the Model Number designates California Compliant by CARB 1/12/2015



**LIFAN**



# Operating Instructions And Owner's Manual

PRO SERIES

LF4000-(CA), LF7250-(CA)

LF8750iE-(CA)

**Record Purchase Here**

Model # \_\_\_\_\_

POWERED BY **LIFAN**

CARB/EPA CERTIFIED

**PRO SERIES**





**LIFAN**



Engine ID # \_\_\_\_\_

(Unique Identifier stamped on engine crankcase)

Date of Purchase \_\_\_\_\_

Purchase Location \_\_\_\_\_

**PLEASE KEEP AND READ THIS MANUAL CAREFULLY BEFORE  
OPERATING YOUR NEW PORTABLE GENERATOR**

(-CSA-CA)IndicatesthisunitisCSA (Canadian Compliant)

And CARB Certified (California Compliant)

(E)Indicatesthisunitis

EquippedwithElectricStart

**PLEASE READ THE**  
**FOLLOWING INSTRUCTIONS!**





# LIFAN



1. Unit Shipped with “NO OIL” in Engine or where applicable pumps and/or accessories. Check and fill with proper oil as outlined in the Owner’s Manual for the respective product.
2. For repair under Warranty or questions concerning Warranty, DO NOT return this product to the Store where purchased. Follow the procedures as outlined in the “WARRANTY POLICY” and “WARRANTY REGISTRATION” in the Owner’s Manual. For any questions visit [www.lifanpowerusa.com](http://www.lifanpowerusa.com) or call 1-866-471-7464 OPTION 1.
3. Read the “Owner’s Manual” prior to operating any equipment and familiarize yourself with the proper and safe operation of the equipment. If you have any questions visit [www.lifanpowerusa.com](http://www.lifanpowerusa.com) or call 1-866-471-7464.



LF4000-CA	LF7250-CA	LF8750iE-CA
-----------	-----------	-------------





# LIFAN



(LF) Indicates this unit is a LIFAN Power USA Product

(-CA) Indicates this unit is CARB Certified for California

(E) Indicates this unit is equipped with ElectricStart

( I ) Indicated the unit is equipped with Auto Idle Feature

## Table of Contents

Preface	4
Safety Instructions	5
Product Specifications	9
Voltage Regulator Switch	10
Copper VS Aluminum	11
Total Harmonic Distortion	12
Controls & Features	13



# LIFAN



Legend	15
PRE-OPERATINGINSTRUCTIONS	16
Assembly	16
Battery Specifications	19
GeneratorSetup	20
Operation of Generator	23
Storing the Unit	27
Maintenance	28
Troubleshooting	33
Generator Wattage ReferenceWorksheet	34
Limited Warranty Policy	36
APPENDIX	42
Exploded Views/Wiring Diagrams	43

## Preface

Thank you for choosing LIFAN Power USA for your Power Equipment Needs. LIFAN Power USA prides itself on providing quality products at affordable pricing, creating the “Best Equipment Value on







# LIFAN



Today's Market!"

All LIFAN Power USA products are manufactured utilizing the latest technology. Built with quality components, your new Power Equipment Product will give you years of dependable service. Your unit, along with all of LIFAN Power USA products are designed, engineered, and manufactured with LIFAN's Industrial Grade Gasoline Engine.

This Owner's Manual will provide you with all of your needed information for your new Power Equipment Product, including Safe Operation and Maintenance of your unit. Please read this Owner's Manual completely and carefully prior to operation. Keep this Owner's Manual for assistance in the future, such as proper maintenance schedules and tips to prolong the life and effective use of your unit. If you require assistance, please visit our website ([www.lifanpowerusa.com](http://www.lifanpowerusa.com)) or call toll free 866-471-7464 OPTION 2.

This Owner's Manual contains information with respect to the newest products at the time of publication. Due to revision and modifications, the information noted in the Owner's Manual might vary from the actual status. This Owner's Manual is subject to change without notice. The copyright of this Owner's Manual belongs to EquipSource, LLC. Any group or individual is forbidden to reprint or copy any of this Owner's Manual without the written consent of EquipSource, LLC.

**FOR ALL WARRANTY AND SERVICE RELATED ISSUES/QUESTIONS DONOT RETURN YOUR UNIT TO THE STORE OR DEALER WHERE THE ITEM WAS PURCHASED.**

**FOR SERVICE VISIT LIFAN POWER USA'S WEBSITE ([WWW.LIFANPOWERUSA.COM](http://WWW.LIFANPOWERUSA.COM)) OR CALL 1-866-471-7464 OPTION 2. WE WILL BE HAPPY TO HANDLE YOUR WARRANTY ISSUE OR DIRECT YOU TO THE NEAREST "AUTHORIZED SERVICE CENTER."**





# LIFAN





## SAFETY RULES

For your safety read this manual carefully. Become familiar with the proper operation, care, and maintenance of your Lifan generator.

The safety and alert symbol (A) is used with a signal word (CAUTION, DANGER, WARNING), a pictorial and/or safety message to alert you to hazards. CAUTION indicates a hazard which, if not avoided, could be harmful.

might result in minor or moderate injury. DANGER indicates a hazard which, if not avoided, will result in death or serious injury. WARNING indicates a hazard which, if not avoided, could result in death or serious injury.

<b>A WARNING!</b>	
	<p>Rapid recoil of starter cord (kickback) may pull hand and arm forward toward engine at rapid rate.</p> <p>Broken bones, bruises, sprains, and</p>
	<ul style="list-style-type: none"> <li>When starting engine, pull cords slowly until tension is felt, then pull rapidly to avoid kickback.</li> <li>Never start or stop engine with electrical</li> </ul>
	<p>Generator produces powerful voltage!</p> <p>Only a licensed electrician can safely connect hookups. Failure to isolate generator from electrical grid can result</p>
	<ul style="list-style-type: none"> <li>When using generator as backup power, notify utility company. Use approved transfer equipment to isolate generator from electric utility.</li> <li>Do not operate generator while exposed to rain or other wet conditions.</li> <li>Do not touch generator when it is plugged in.</li> <li>Do not contact bare wires or receptacles.</li> <li>Inspect all electrical cords for damage and</li> </ul>







# WARNING!

Running generator emits carbon monoxide an odorless, colorless, poison gas.  
Breathing carbon monoxide can cause nausea or death!



*Exhaust gas must be prevented from entering confined areas.*

*Direct exhaust gas away from windows, doors, ventilation and*

This generator does not meet U.S. Coast Guard Regulation 33CFR-183 and should not be used on marine applications.

*Don't operate generator inside or under any buildings. Operating this generator inside the compartment of a recreational vehicle will likely result in death.*



# WARNING!

Fuel and its vapors are extremely flammable and explosive.

Fire or explosion can cause severe burns or death.

POWERED BY **LIFAN**

CARB/EPA CERTIFIED

PRO SERIES





# LIFAN



#### WHEN ADDING OR DRAINING FUEL

- Turn generator off and let it cool for at least three minutes before removing fuel cap. Loosen cap slowly in order to relieve pressure in the fuel tank.
- Fill or drain fuel tank outdoors. Do not excessively inhale fuel vapors.
- Keep away from open flames or sparks and other sources of ignition.
- Do NOT smoke while filling fuel tank.
- Do NOT overfill tank. Allow space for fuel expansion.

#### WHEN TRANSPORTING OR REPAIRING EQUIPMENT

- Transport generator with the fuel valve in the off position.
- Repair generator with the fuel tank empty or the fuel valve in the off position.
- Disconnect spark plug wire before transport or service.

#### WHEN STORING FUEL OR EQUIPMENT CONTAINING FUEL

- Store away from furnaces, stoves, water heaters, clothes dryers or other appliances that have pilot light or other ignition source because they can ignite fuel vapors.

## CAUTION!

Excessively high operating speeds (engine revolutions) increase the risk of injury and damage to the generator. Excessively low speeds impose a heavy load and will damage generator.

- Do NOT adjust engine speed governor. Generator supplies correct voltage and frequency at designated speed.

POWERED BY **LIFAN**

CARB/EPA CERTIFIED

PRO SERIES





# LIFAN



## WARNING!

While engine is running temperature may exceed 150°F (65°C). Server burns may occur.

- Do NOT touch hot surfaces and do avoid exhaust gasses.
- Allow generator to cool before touching.
- Keep at least 7 ft. (183cm) clearance on all sides of generator including overhead clear.
- Reflective exhaust heat may damage fuel tank causing fire.

## WARNING!

Unintentional sparking can result in fire or electrical shock.



WHEN TESTING FOR ENGINE SPARK

- Do NOT check for spark with the spark plug removed.
- Use approved spark plug tester.

WHEN REPAIRING OR ADJUSTING GENERATOR

## CAUTION!

Improper use and care of this generator will cause damage and shorten its lifespan. Failure to follow these actions will void all warranties.

POWERED BY **LIFAN**

CARB/EPA CERTIFIED

PRO SERIES





# LIFAN



- Use generators only for appropriate and designated purposes.
- The dealer or customer helpline (1-866-471-7464) can instruct you on intended uses.
- Generator must be placed on a level surface.
- Do NOT expose generator to extreme conditions. Excessive dust, moisture, and corrosive vapors will damage unit.

POWERED BY **LIFAN**

CARB/EPA CERTIFIED

PRO SERIES





# LIFAN



## Generator Safety

1. Never operate gasoline engine powered products in any enclosed spaces, as they produce deadly Carbon Monoxide Poisonous Gases.
2. Never hook a generator directly to your home circuit without the proper installation by a Licensed Electrician and without the proper power transfer devices.
3. Do NOT operate your power equipment in inclement weather such as rain, snow, and/or sleet.
4. Do NOT operate your power equipment within five (5) feet of any flammable materials.
5. When refueling the power equipment never smoke or refuel near any flame or ignition devices. Never refuel while the unit is running. If during the refueling process some fuel is spilled, always completely clean the fuel and allow sufficient drying time prior to re-starting the unit. Gasoline vapors ignite easily and are very dangerous.
6. Do NOT parallel connect this model. Generator cannot be combined with other electric wires or multiple socket boxes.
7. Do NOT lengthen the exhaust pipe or vent it with any extension.
8. Use SJ or SJO type extension cords if necessary.
9. Do not use extension cords exceeding: 16 Gauge, 200ft or 10 Gauge, 330ft.
10. NEVER ALLOW CHILDREN OR ANIMALS TO BE NEAR THIS EQUIPMENT DURING OPERATION. ONLY QUALIFIED PERSONS SHOULD OPERATE THIS EQUIPMENT. FOLLOW ALL GUIDELINES CONTAINED IN THIS OWNER'S MANUAL FOR THE SAFE OPERATION OF THIS EQUIPMENT.

<b>DANGER</b>		<b>DANGER</b>		<b>DANGER</b>	
Using a generator inside CAN KILL YOU IN MINUTES Generator exhaust contains carbon monoxide. This is a poison that you cannot see or smell.		L'utilisation d'une génératrice à l'intérieur PEUT VOUS TUER EN QUELQUES MINUTES. Les gaz d'échappement de la génératrice peuvent contenir du monoxyde de carbone, un poison que vous ne pouvez pas voir ni sentir.		El uso de un generador en el interior PUEDE MATARLO EN POCOS MINUTOS. El escape del generador contiene monóxido de carbono. Esto es tóxico y do debe verlo u olerlo.	
NEVER use inside a home or garage, EVEN IF doors and windows are open.	Only us OUTSIDE and far away from windows, doors, and vents	NE JAMAIS utiliser a l'intérieur d'une maison ou d'un garage, MEME SI les portes et fenêtrés sont ouvertes.	Utiliser uniquement à l'EXTERIEUR et loin des fenêtrés, portes et ouvertures d'aération.	NUNCA utilice dentro de una casa o un garaje, AÚN cuando las ventanaas y las puertas estén abiertas	Utilice únicamente en el EXTERIOR y lejos de ventanas, puertas o rejillas de ventilación.
Avoid other generator hazards, READ MANUAL BEFORE USE					



# LIFAN



## Products Specifications

### PORTABLE GENERATORS

ModelSize	LF4000-CA	LF7250-CA	LF8750iE-CA
Voltage	120/240VAC&12VD	120/240VAC&12VDC	120/240VAC&12VDC
ACSurgeOutput1	4000Watts	7250Watts	8750Watts
RatedACOutput2	3500Watts	6500Watts	7500Watts
MaximumACAmperage	28amps@120V	48amps@120V	62amps@120V
ACCycle	60Hertz	60Hertz	60Hertz
Brushless Altenator	Storage Capacitor	AVR3	AVR3
12V8.3ampDCReceptacle	2ea.	2ea.	2ea.
120V20ampACGFCIRceptacle	1ea.	2ea.	2ea.
120V30ampACTwistLockRecept	N/A	1ea.	1ea.
120/240V30ampACTwistLockRe	1ea.	1ea.	1ea.
USB Port	1 ea	1 ea	1 ea
CircuitProtection	MasterCircuitBreaker	MasterCircuitBreaker	MasterCircuitBreaker

POWERED BY **LIFAN**

CARB/EPA CERTIFIED

PRO SERIES







# LIFAN



### ENGINE

Manufacturer	LIFAN	LIFAN	LIFAN
Model	LF168F2-13111	LF188FI-13111	LF190FD-13111
Maximum Horsepower(MHP)	6.5MHP	13MHP	15MHP
EngineDisplacement	196cc	388cc	420cc
StartingSystem	Recoil	Recoil	Recoil/Electric
Fuel TankCapacity	4 Gallons	7.5Gallons	7.5Gallons
Fuel TankMaterial	RustPreventativeCoat	RustPreventativeCoate	RustPreventativeCoate
Run Time (@ 50%Load)	10hours	10hours	10 hours
Sound Level (@ 7m or23ft)	65decibels	75decibels	75decibels
EngineType	4IStrokeOHV	4IStrokeOHV	4IStrokeOHV
FuelType	Automotive Grade	Automotive Grade	Automotive Grade
FuelCompliance	10% EthanolMix	10% EthanolMix	10% EthanolMix
Oil Type &Amount	SAE 10w30w20oz	SAE 10w30w32oz	SAE 10w30w32oz
Automatic IdleControl	N/A	N/A	Yes
Low Oil ShutoffProtection	Yes	Yes	Yes
CARB Certified	(ICA) ModelsOnly	(ICA) ModelsOnly	(ICA) ModelsOnly

### ACCESSORIES

Spark PlugWrench	1 ea.	1 ea.	1 ea.
Mobility/Wheel Kit	All Models	All Models	All Models
Battery (Not Included)	See Battery Chart	Not Included	See Battery Chart

Comments

1 = Temporary Power available for





LIFAN  
POWER  
USA



LIFAN



LIFAN  
POWER  
USA

LIFAN  
POWER  
USA

## VOLTAGE SELECTOR SWITCH

Features and Functions found only on your  
EnergyStorm and ProSeries units below 8000 watts and on the LF8500iEPL-RV Model  
Get the full power from your generator

The voltage selector switch provides you with the maximum usable power from your generator for more flexibility and use from your unit. It allows you to choose between using both the 120v and 240v power or choose the 120v only by simply engaging the switch to the 120v only choice on the selector switch. Most appliances powered and used by a smaller generator, 8000 watts and below, are 120v appliances. All generator alternators, the power source, create their power in 2 legs, 1 from each side of the generator's alternator. 1 leg feeds the 120v side while the other feeds the 240v side. As an example the ES5500 watt unit provides 2750 watts of power to the 120v receptacles and 2750 watts of power 240v receptacle. With the Voltage Selector Switch you can feed both legs of your alternators power to the 120v receptacles and get the full use of the generator's power, in this case 5500 watts to the 120v receptacle, when you are not using any 240v appliances as well as getting the required additional amperage that some appliances require.

A 2nd benefit of the Voltage Selector Switch is the even wear on your alternator and brushes when the unit is in use, increasing the useful lifetime of your generator. If you are mainly utilizing and powering only 120v appliances with your generator then you are over working the 120v side of the alternator while not utilizing or creating any load on the 240v side of the alternator, thereby causing an imbalance in the wear of the alternator, an essential part of any generator.

Our 3 position Voltage Selector Switch gives you the versatility of choice. When in the 120v position it is supplying the full wattage to the 110v receptacles, when in the neutral position all receptacles are neutral, no power, and when in the 240v position is supplies even power to both sides, 110v receptacles and the 220v receptacle. Get the full power from you unit.

POWERED BY LIFAN

CARB/EPA CERTIFIED

PRO SERIES





# LIFAN



LF4250EPL-CA and LF7250IPL-CA models are equipped with a Voltage Selector Switch to get Maximum Performance and power from your unit. See location of Voltage Selector Switch on controls & Features section on page 9.

## COPPER vs ALUMINUM

All Lifan Power USA Generators come with Solid Copper Windings  
Compare and Save - The only Generators Available with Quality Copper Windings

Copper vs. Aluminum Coil Windings.....The performance difference between copper and aluminum coil windings lie in the physical and resistance property's between the two materials. Copper is a more efficient conductor, able to transmit the same current with less cross section area. Aluminum requires more cross section area to do the same job... Aluminum has lower mass than copper and the aluminum wire, with its larger cross section area, is not as efficient as copper. Well designed enclosures usually give better performance with copper windings in both quality and output than aluminum. This means it takes more power to reach optimal efficiency with aluminum.

**LIFAN  
POWER  
USA**







**LIFAN**



POWERED BY **LIFAN**

CARB/EPA CERTIFIED

**PRO SERIES**

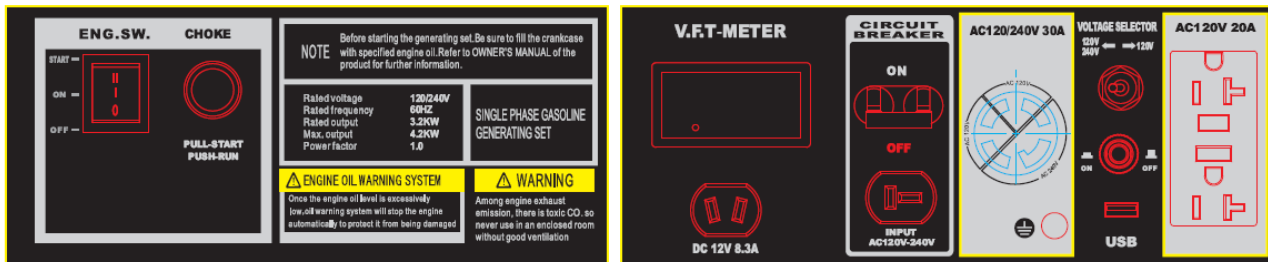




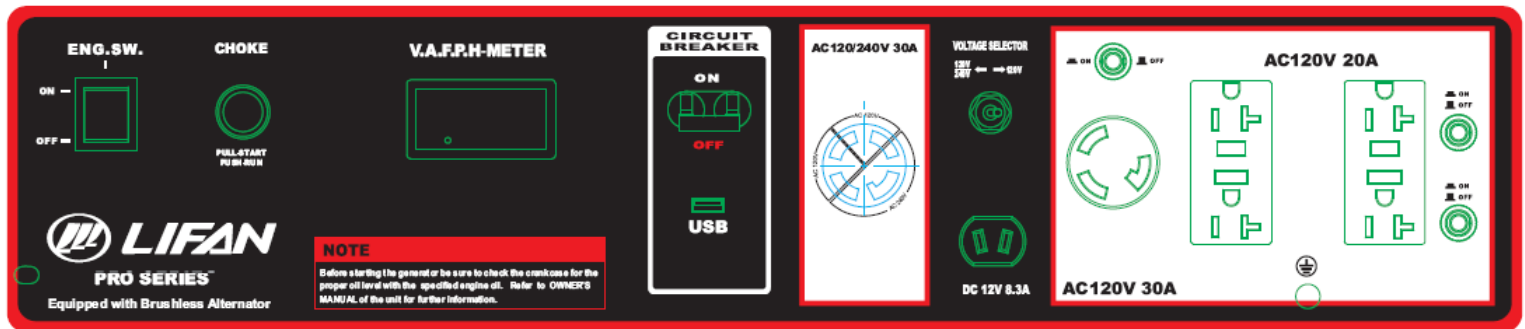
# LIFAN



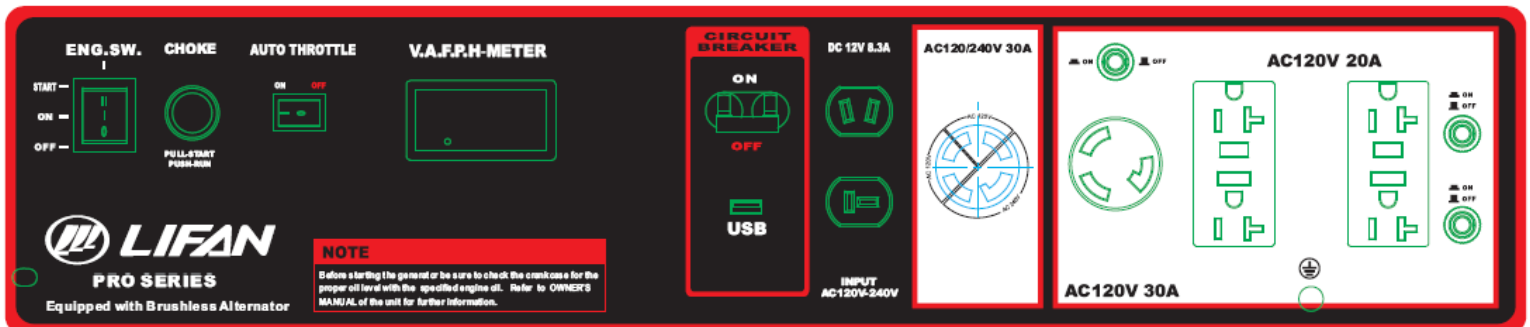
## Controls and Features



### LF4250



### LF7250



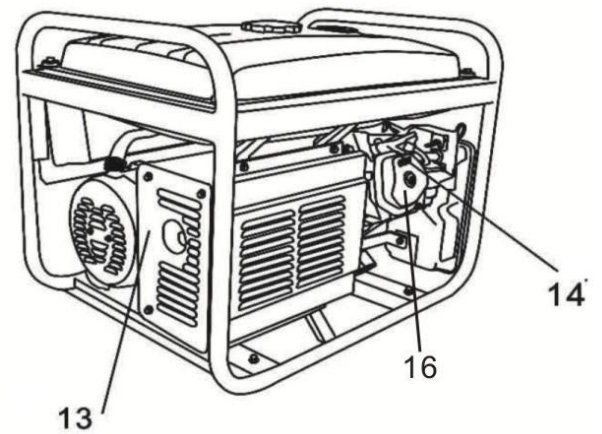
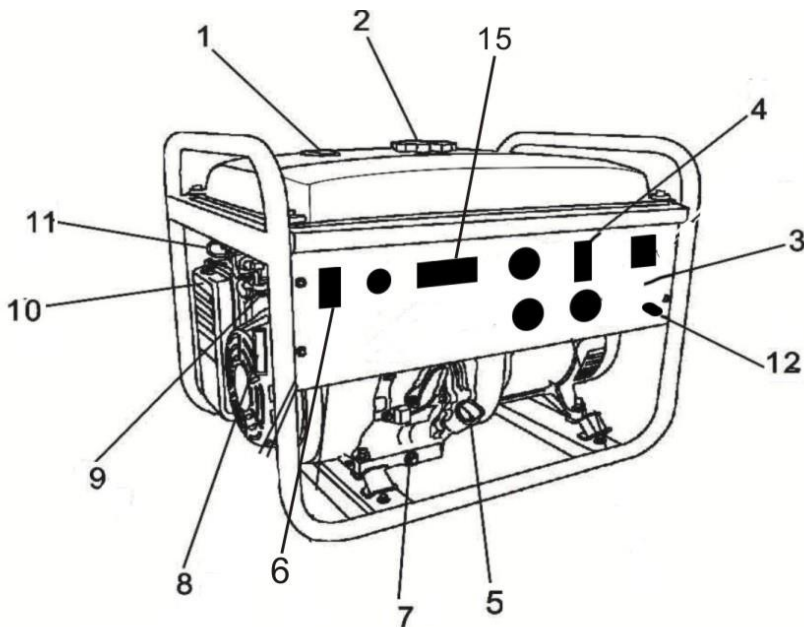


# LIFAN



LF8750

## Controls and Features Of Unit



POWERED BY **LIFAN**

CARB/EPA CERTIFIED

PRO SERIES







# LIFAN



## Legend

1. **Fuel Level Sensor** – Displays Current Fuel Level
2. **Fuel Tank Cap** – Vented Fuel Cap Must be Properly Installed at all times during Operation
3. **Receptacle Panel** – See Product Specifications for Individual Model
4. **Double Pole Circuit Breaker (AC)** – Protects Receptacles & Generator from Overload
5. **Crankcase Oil Dipstick/Oil Fill Hole Cap** – Check/Fill Engine Oil
6. **On/Off Switch** – Rocker Style; Set to “ON” to start Engine & “OFF” to Shut Off Engine; Key Switch Model: Turn to “START” to Crank Engine & “OFF” to Shut Off Engine
7. **Crankcase Oil Drain Plug** – Remove to Drain Oil from Crankcase
8. **Recoil Starting Handle** – Pull Handle to Rotate Engine for Starting.
9. **Fuel Cock (Valve)** – Turn to “OFF” to Terminate Fuel Delivery to Engine
10. **Air Cleaner** – Check Maintenance Schedule for Service Intervals
11. **Choke** – Panel Mounted. Pull to Choke, Push to Run  
Before starting cold generator, pull the choke pin outward from generator to activate the choke lever. After allowing generator to run for a few seconds, push knob inward toward generator.
12. **Earth Grounding Stud** – Always connect generator to an Earth Grounding Source. Consult Local Energy Jurisdiction for Code Requirements in your area.
13. **Muffler & Muffler Hood** – Exhaust muffler emits combustion gas from engine and lowers the noise level of the generator
14. **Spark plug**
15. **Digital V.F.H Meter** - Records Voltage, Frequency, and Hour Meter during use of units
16. **Valve Cover** – Cover for Overhead Valves designed to be removed periodically for valve adjustments.

POWERED BY **LIFAN**

CARB/EPA CERTIFIED

**PRO SERIES**





**LIFAN**



POWERED BY **LIFAN**

CARB/EPA CERTIFIED

**PRO SERIES**





# LIFAN



## Pre-Operating Instructions: Assembly

Your LIFAN Power USA generator is packaged without fuel and oil. Some assembly is required before operating your LIFAN Power USA Generator.

For further assistance in assembling your generator please visit our website ([www.lifanpowerusa.com](http://www.lifanpowerusa.com)) or call 1-866-471-7464 option 2, between the hours of 9am-5pm Monday-Friday.

### **BOX CONTENT:**

- Generator
- Accessory Kit
  - 1 ea. --- Spark Plug Removal Tool
  - 1ea. --- Nema 14-30 Male Twist Lock Plug
- Owner's Manual and Warranty Card
- Wheel Kit (4000-CA, 7250-CA, & 8750IE-CA)
  - 2ea. --- Never-Go-Flat Foam Filled Wheels
  - 2 ea. --- Heavy Duty Leg Supports (Shipped Stored Under Fuel Tank)
  - 1 ea. --- Axle
  - 2 ea. --- Folding Handle
  - Hardware Bag

### **UNPACKING THE GENERATOR:**

1. Set the Carton on a Flat, Rigid Surface.
2. Remove All Contents from Carton EXCEPT Generator.
3. Open Box Completely by Cutting Each Corner from Top to Bottom.
4. Leave Generator on the Remainder of the box until Wheel Kit is installed.
5. Locate all Box Contents and Place them Beside the Generator. (Some Items maybe Packed within the voids of the Generator itself)





# LIFAN



## Pre-Operating Instructions: Assembly

### **WHEEL KIT INSTALLATION:**

The Following Tools are needed to Install Wheel Kit:

- Safety Glasses
- 8mm-14mm Wrench Set
- 8mm-14mm Ratchet & Socket Set
- 17mm Ratchet & Socket

### **Wheel Kit Installation Directions:**

**NOTE:** Install Wheel Kit BEFORE Filling the Generator with Fuel or Oil. Never Tip a Unit that contains Fuel or Oil.

1. Tip Generator so Engine End is up.
2. Slide Axle through both Mounting Brackets.
3. Place a Wheel on both Sides as shown in "Assembly Diagram."
4. Securely Tighten Wheel nuts with the 17mm Socket.

POWERED BY **LIFAN**

CARB/EPA CERTIFIED

PRO SERIES





**LIFAN**



5. Tip the Alternator End of the Generator up.
6. Place the Support Legs under the Frame Brace as shown in “Assembly Diagram.”
7. Secure with the provided Cap Screws and Hex Nuts. Securely tighten using 12mm Ratchet and Socket.

## **Pre-Operating Instructions:**

### **Assembly Diagram**

POWERED BY **LIFAN**

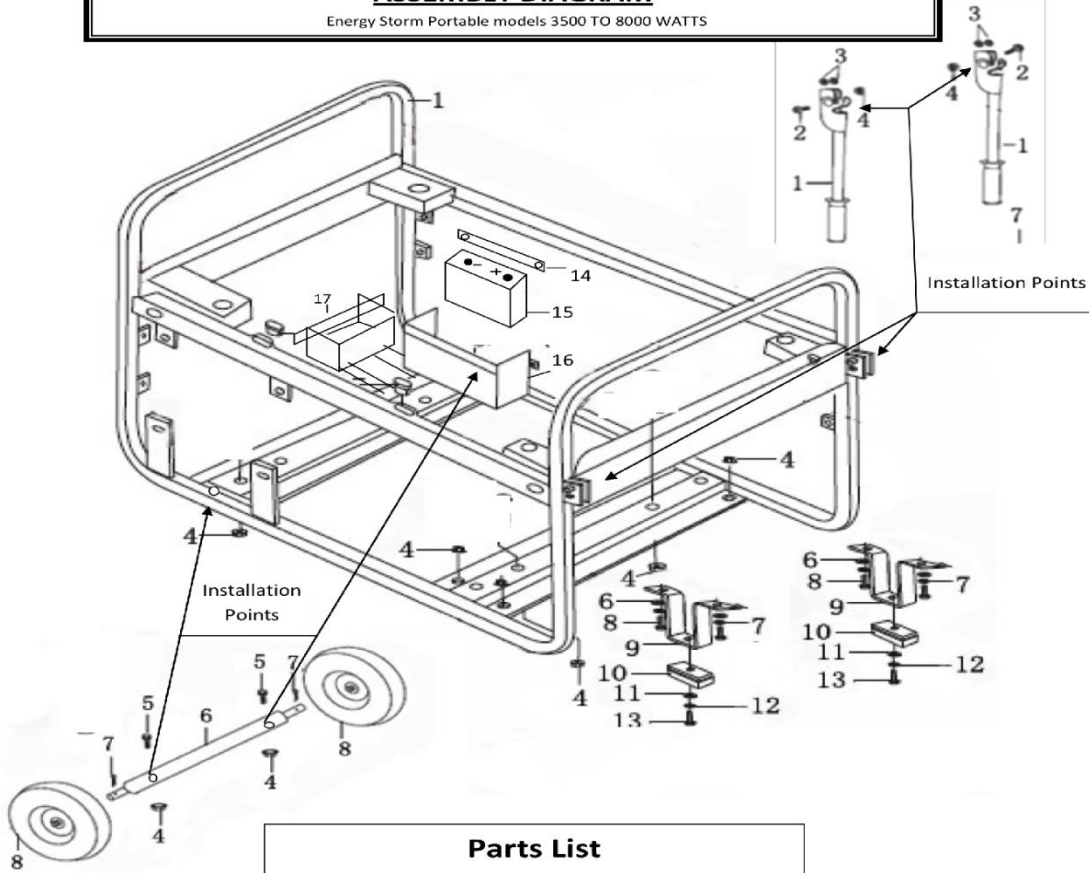
CARB/EPA CERTIFIED

**PRO SERIES**



**ASSEMBLY DIAGRAM**

Energy Storm Portable models 3500 TO 8000 WATTS



**Parts List**

1. Handle	2 pcs.	9. Front Leg	2 pcs
2. Flange bolt 8mm × 45mm	2 pcs.	10. Leg Skid Pad	2 pcs
3. Nylon Washers.8mm	4 pcs.	11. Flat washer 6mm	2 pcs
4. Nut M8	12 pcs	12. Spring washer 6mm	2 pcs
5. Flange bolt 8mm × 60mm	2 pcs	13. Flange bolt 6mm × 16mm	2 pcs
6. Axle	1 pc.	14. Battery hold down strap	1 pcs
7. Cotter Pin	2 pcs	15. 12 volt Battery (not included)	1 pc.
8. Tire & Wheel Assembly	2 pcs	16. Battery Box 5000- 8000 watt models	
		17. Battery Box 3500 watt models	

**⚠ CAUTION! Assemble generator before adding fuel or oil.**





# LIFAN



## Pre-Operating Instructions: Battery Specifications

The Battery is NOT included with your Platinum Series Generator. These units require an Acid Cell Battery. This battery is used in many applications, such as lawnmowers, ATV's, motorcycles, etc. and can be found at many retailers and dealers including where you purchased this Power Equipment Product. Use the "Battery Specifications" chart below to attain the specifications of the necessary battery. Or, use the "Cross Reference Models" chart below to match up with the manufacturer's model number with the brand battery available at your local retailer.

BATTERY SPECIFICATIONS				
Generator Model	Length( inch)	Width( inch)	Amp( hr s)	DC Voltage (Volts)
LF4000-CA	5.25in	3in	10	12V



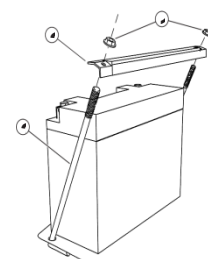


# LIFAN



LF7250-CA	5.3125in	3.1875in	12	12V
LF8750iE-CA	5.3125in	3.1875in	12	12V

	<b>Warning</b>
Follow all the battery manufactures' warnings for proper installing of your battery in order to prevent damage to personnel or equipment.	



1. Battery leads consist of a Red (hot) lead that connects to the (+) battery post and is connected to the (+) terminal on the starter solenoid and a Black lead which is connected to the (-) negative battery terminal and the frame mounting bolt.
2. Connect the Red (hot) terminal to the battery.
3. Connect the Black (negative) terminal to the battery.

## Pre-Operating Instructions: Generator Setup



# LIFAN



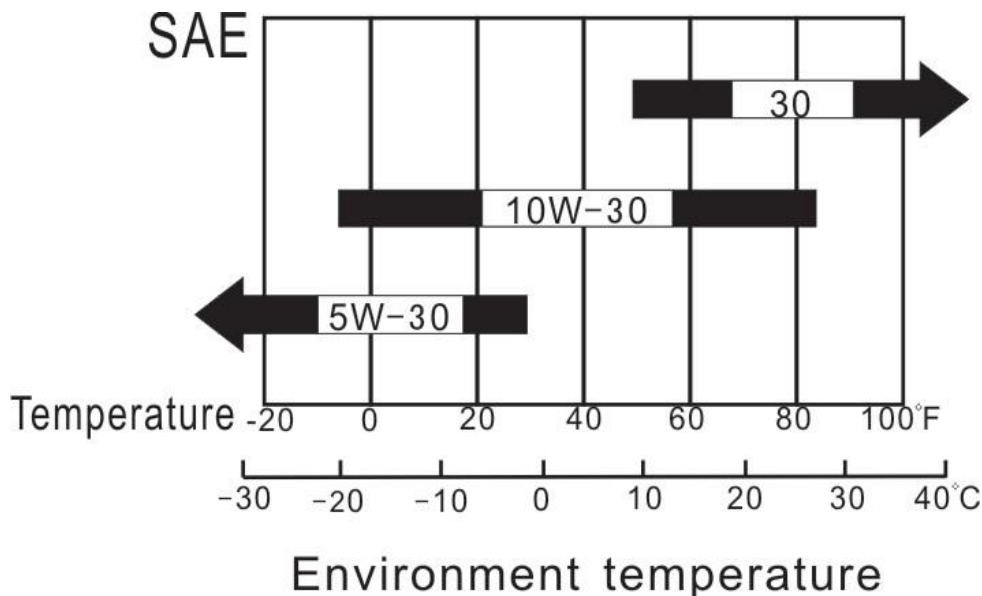
**CAUTION:** Any attempt to start the generator before it has been properly serviced may result in engine failure and void warranty.

**ADD ENGINE OIL:** Refer to the diagrams below.

1. Place generator on level surface.
2. Clean area around Oil Hole Dipstick/Plug & Unscrew Oil Hole Dipstick/Plug.
3. Fill with appropriate type and amount. Refer to Chart below for recommended oil type based on Environmental temperature.

NOTE: Refer to "Product Specifications" section for universal recommended oil type and oil amount.

4. Replace Oil Hole Dipstick/Plug and tighten securely.
- 5.





# LIFAN



## Pre-Operating Instructions: Generator Setup

*(Continued)*

### **⚠ WARNING!**



Fuel and its vapors are extremely flammable and explosive.

#### WHEN ADDING FUEL

- Turn generator off and let it cool for a minimum of three minutes before removing fuel cap. Turn and remove cap slowly in order to relieve residual tank pressure.
- Always fill the fuel tank with the unit outdoors.

**ADD FUEL:** Refer to Controls and Features section for diagrams.

1. Clean area around fuel cap, then remove fuel cap.
2. Pour fresh, clean regular automotive grade unleaded fuel with a minimum octane rating of 85 into fuel tank. Do NOT mix fuel with oil. Fuel must have ethanol blend of 10% or less. Pay close attention to the storage requirements of these fuels. Do NOT overfill fuel tank.
3. Install the fuel cap. Rotate the fuel cap clockwise until it is in its locked position. Wipe away any spilled fuel.

POWERED BY **LIFAN**

CARB/EPA CERTIFIED

PRO SERIES





# LIFAN



## Pre-Operating Instructions: Generator Setup

### CAUTION:

Alcohol-blended fuels (gasohol, ethanol, or methanol) will attract moisture, which leads to separation and formation of acids during storage. Acidic gas can damage the fuel system of an engine while in storage. To avoid engine problems, the fuel system should be treated with a fuel stabilizer or drained if the generator will not be started for thirty (30) days. If using a fuel stabilizer, follow the manufacturer's recommended instructions for use. Always use stabilizer with a full tank of gasoline.

POWERED BY **LIFAN**

CARB/EPA CERTIFIED

PRO SERIES





# LIFAN



Always drain old fuel and use fresh fuel before next use. If you do not use a fuel stabilizer, the fuel system must be drained and cleaned. Drain the fuel tank and start the engine, allowing it to run until all fuel lines and carburetor are drained of fuel.

Before restarting the carburetor the float bowl must be removed and cleaned of any debris.

**NEVER** use chemical solvents or cleaners in the fuel tank or damage may occur.

### **CHECK AIR CLEANER ELEMENT:**

Refer to “Air Cleaner Maintenance” in the Maintenance section of this Owner’s Manual to ensure Air Cleaner Element is in operable condition.

### **GROUNDING THE GENERATOR:**

Refer to Controls and Features section.

Connect the Ground Terminal on the generator to an acceptable source of electrical ground, such as a copper-grounding stake, using copper electrical wire with a minimum diameter of 16 gauges.

## Operation of Generator







# LIFAN



## HOW TO USE YOUR GENERATOR

### WARNING!

Running generator gives off carbon monoxide gas. It is odorless, colorless, and highly toxic.

Breathing carbon monoxide gas can lead to fainting, nausea or may result in death.

- Only operate generator outdoors.
- Prevent exhaust gas from entering, through windows, doors or ventilation intakes, any confined areas.

**STARTING THE ENGINE:** Refer to the Controls and Features section.



### CAUTION!

Never start or shut off the generator with electrical loads connected and in the operational mode (on switch activated).

1. Unplug all electrical loads from the generator.
2. Make sure the generator is in a level position.
3. Open the fuel cock by turning the fuel cock to the "ON" position.
4. For cold engine starts only: Pull the choke BUTTON to the engaged position per the instruction label on the generator main frame.

POWERED BY **LIFAN**

CARB/EPA CERTIFIED

PRO SERIES





# LIFAN



### **PULL START (RECOIL) ONLY MODELS:**

5. Place the On/Off switch in the “ON” (I) position.
6. Grasp starter handle and pull slowly until resistance is felt. Then pull the cord rapidly with a full arm stroke. Allow the rope to return slowly. Do NOT allow the rope to snap back against housing.
7. Once the engine runs for 3-5 seconds, push the choke pin in to disengage.

## Operation of Generator

### **HOW TO USE YOUR GENERATOR**

### **ELECTRIC START MODELS:**

5. For Electric Start Models, push the rocker switch to the “ON” position. Push rocker switch to start position and hold until engine starts or for NO MORE than 10 engine rotations. If the engine does NOT start, wait 15 seconds and repeat starting procedures.
6. Once the engine runs for 3-5 seconds, push the choke pin in to disengage.

**NOTE (all models):** If generator does not start within FIVE pulls, check the crankcase oil level. The engine’s “Low Oil Alarm System” may be activated and prevent the engine from starting.

### **CONNECTING ELECTRICAL LOADS:**





# LIFAN



1. Ensure engine is started before plugging in any electrical appliance.
2. Plug in desired 120 Volt loads to the 120 Volt U-Ground and 240 Volt loads to the 240 Volt receptacles. Always plug appliances into the generator with appliance in its "OFF" position.
3. Do NOT connect 240 Volt loads to the 120 Volt receptacles.
4. Only connects single-phase 60 Hertz loads.
5. **DO NOT OVERLOAD THE GENERATOR. FOLLOW THE PROVIDED "GENERATOR WATTAGE REFERENCE WORKSHEET" TO DETERMINE THE RUNNING AND STARTING WATTAGE OF YOUR EQUIPMENT REFER TO THE PRODUCT SPECIFICATIONS TO ENSURE YOUR GENERATOR WILL OPERATE THE DESIRED EQUIPMENT.**

**NOTE:** Use the running and starting wattage provided by the equipment manufacturer if available. If not available, use provided "Generator Wattage Reference Worksheet."

## Operation of Generator

### HOW TO USE YOUR GENERATOR





# LIFAN



## LOW OIL ALARMSYSTEM:

This model is equipped with a Low Oil Alert System designed to avoid engine damage from insufficient oil in the crankcase. The Low Oil Alarm System will stop the engine automatically before the oil level in the crankcase drops below safe operating levels.

## STOPPING THE GENERATOR:

Refer to Controls and Features section for diagram.

## EMERGENCY SHUTDOWN

1. Turn the Fuel Valve to “OFF” position

## NORMAL SHUTDOWN

1. Unplug all electrical loads or turn the main breaker to the “OFF” position.
2. In order to stabilize internal equipment temperatures, allow the engine to run for 3-5 minutes under no load.
3. If the generator will not be in use for more than 7 days, turn the fuel valve to the “OFF” position and allow the unit to run until the fuel in the carburetor is used and the engine shuts itself off.
4. Turn the ignition switch to the “OFF” position.
5. Allow unit to cool to ambient temperature before storage or transportation.
6. Always transport the generator with the fuel valve in the “OFF” position. Failure to do so will result in damage to the engine.

POWERED BY **LIFAN**

CARB/EPA CERTIFIED

PRO SERIES





# LIFAN



## Operation of Generator

### HOW TO USE YOUR GENERATOR

#### USAGE IN HIGH ALTITUDE REGIONS:

In regions with high altitude, the standard carburetor produces overly dense combinations of fuel and air, which result in decreased engine performance and increased fuel consumption. To maintain high engine performance at high altitudes, install a high altitude carburetor main spray nozzle and re-adjust the adjusting screw for idlespeed. For usage in regions with an altitude of over 4,527ft (1380m), contact your dealer to replace the standard carburetor and make needed adjustments in advance. Even with a proper high altitude carburetor spray nozzle installed in the engine, the power output of the engine will drop about 3.5% with every 1000ft (305m) increase in altitude. If the standard carburetor jets are not replaced and adjusted for usage in high altitude, the increased altitude effect will be even more severe.

**NOTE:** Usage of the generator in regions with lower altitude than the high altitude carburetor spray nozzle is applicable, may result in decrease of engine performance. The engine may become overheated and over-lean combination of fuel and air produced may cause severe damage to the engine.

#### ***TRANSFER SWITCH CONNECTIONS - Only allow Professional Electricians***

The Lifan Pro Series generator is wired with the neutral bonded to ground. If you are connecting your generator to a transfer switch, the electrician must first determine what type transfer switch is being used. Transfer switches for this equipment are either two-pole or three-pole types.

A two-pole transfer switch will not switch the neutral from the generator to the service panel. That means the generator will be grounded to the service panel. To use the generator with two-pole transfer switches, the electrician will need to change the neutral from bonded to floating.

This is done by removing the jumper wire that connects the alternator ground to the alternator neutral. Remove the





# LIFAN



jumper wire and retighten the connections. Keep the jumper wire with the owner's manual in case it is needed for future use when not connected to a transfer switch.



## Storing the Unit

### STORAGE





# LIFAN



Before long term storage of your power equipment product, typically 30 days or more, perform the following:

1. Set the fuel cock (valve) to the "OFF" position.
2. Let the unit continue to run until it stops itself, burning all of the fuel in the fuel system.
3. Turn the ignition switch to the "OFF" position.
4. Drain the engine oil in accordance with the "Oil Change Procedures" in this Owner's Manual's Maintenance section. Do NOT re-fill with oil until ready to use again.
5. Remove the Spark Plug in accordance with the "Spark Plug Maintenance" in the Owner's Manual's Maintenance section. Spray a lubricant, such as WD40®, into the Spark Plug hole to lubricate the top of the piston and walls of the cylinder. Replace the Spark Plug.
6. Pull starter rope until resistance is felt. This will place the valves in the closed position.
7. Add the recommended amount of fuel stabilizer, in accordance with the amount recommended by the manufacturer of the fuel stabilizer, to the unused gasoline left in the fuel tank.
8. Place the unit in a clean, dry, and secure location.
9. Cover with "LIFAN WaterProof Generator Cover," (Item Number LF100-69600 not included) or canvas/vinyl tarpaulin. Do NOT operate unit with cover installed.

POWERED BY **LIFAN**

CARB/EPA CERTIFIED

PRO SERIES





# LIFAN



## Maintenance

MAINTENANCE SCHEDULE	
PROCEDURE	TIME
Engine Oil Check	Each Use
Replace Engine Oil	After Each 40 Hours of Use (For Initial Breakin – After First (1st) 10 Hours of Use)
Air Cleaner Filter Check	Each Use
Air Cleaner Filter Replacement	When Needed or After Every 50 Hours of Use
Air Cleaner Wash	When Needed
Spark Plug	When necessary or within 100 hrs of run time
Valve Clearance	Check & Re-- - adjust annually or after 300 Hours of Use
Fuel Tank	Replace Every 3 Years Based on Condition

**NOTE:** Refer to Following Procedures for Proper Method to Perform Maintenance

**OIL CHANGE PROCEDURES:** Refer to Controls and Feature section for diagram. **Periodic Maintenance of your engine oil should be performed after each 40 hours of use of your Power Equipment Product. Check your engine oil level prior to each use.**

1. Start your engine and let it warm up to get the oil warm and thinner. Turn the engine On/OFF switch to the "OFF" position. Turn Fuel Valve to the "OFF" position.
2. Remove the oil cap/dipstick by turning counter clockwise. Remove the oil drain plug located below the oil cap/dipstick utilizing the appropriate tools.

**USE CAUTION: THE OIL MAY BE HOT.**

3. Drain the engine oil into an approved receptacle and discard in accordance with all Federal and State Regulations. Never dump the used engine oil on the ground or into drains, only discard in an approved manner. Check with your local authorities to determine the regulations in your area.





# LIFAN



## Maintenance

**WARNING! AVOID SPLASHING OF HOT OIL; IT CAN BURN YOU AND CAUSE SEVERE INJURY.**

4. After oil is completely drained, replace oil drain plug and tighten with appropriate tools. Replace oil with the proper oil for your product. Refer to the Pre-Operating Instruction: Generator Setup section for exact fill requirements.

Always use your dipstick to check the oil level and only fill to the full mark on the dipstick. Never overfill the engine as this can cause damage to the unit and void warranty.

5. Replace the dipstick/oil cap on the engine.
6. Shake generator to ensure the float in the Oil Alert System is free.

**PROPER MAINTENANCE OF THE UNIT WILL INCREASE THE LIFE OF YOUR PRODUCT. THE OIL MUST BE CHANGED ON A REGULAR BASIS FOR PROPER OPERATION, AND RELIABILITY AND TO ALSO MAINTAIN THE WARRANTY ON THIS PRODUCT.**

### AIR CLEANER MAINTENANCE:

1. Remove the clip (item 9 in "Air Cleaner A" below) or the wing nut (item 7 in "Air Cleaner B" below) to remove and check the air filter element.
2. For Sponge Type Air Filters, wash with soap and water when contaminated. Squeeze excess liquid from air filter element, and allow the air filter element to dry. lubricate with a few drops of oil. For Paper Type Air Filters, replace with the correct Air Filter for your unit. They are available at your dealer or from LIFAN Power USA. Order your filter by calling toll free 866-471-7464.





**LIFAN**



## Maintenance

3. Re-Install the air filter element into the air filters housing.

POWERED BY **LIFAN**

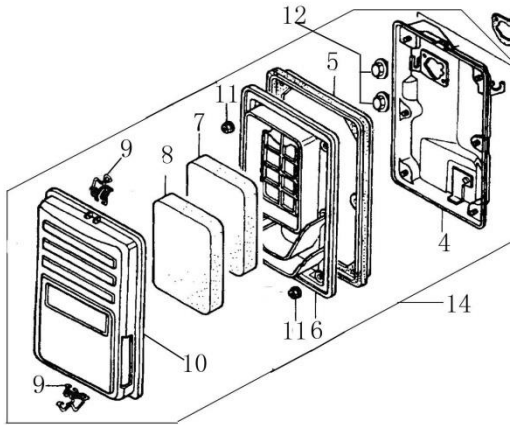
CARB/EPA CERTIFIED

PRO SERIES

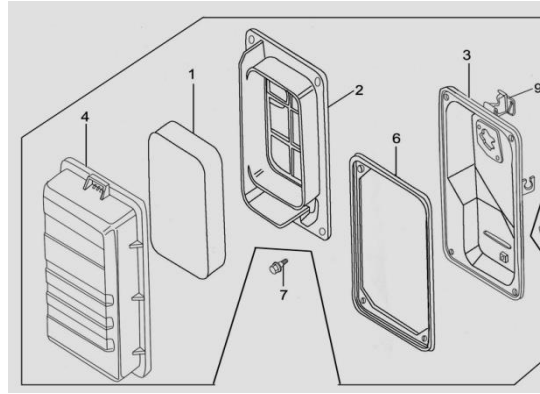




# LIFAN



Air Cleaner A



Air Cleaner



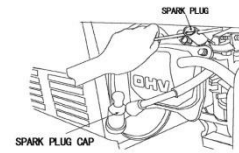
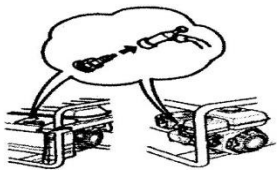
# LIFAN



## Maintenance

### SPARK PLUG MAINTENANCE:

1. Remove Spark Plug Cap (refer to "Spark Plug Cap Removal" figure below.)
2. Remove Spark Plug with socket and handle supplied with your unit (refer to "Spark Plug Removal" figure below.)
3. Clean any carbon build-up around the Spark Plug.
4. Check the Spark Plug Gap and adjust if necessary. 0.30-inch gap.
5. Lubricate the threads of the Spark Plug with anti-seize compound or engine oil.
6. Re-install the Spark Plug and Spark Plug Cap.



Spark Plug Cap Removal

Spark Plug Removal

### FUEL SYSTEM MAINTENANCE:

**NOTE:** Periodically you can get sediment or trash in your Carburetor Bowl. Use the following procedures to clean:

1. Turn the fuel cock (valve) to the "OFF" Position.
2. Remove the carburetor bowl by removing the mounting bolt located at the bottom of the bowl.







**LIFAN**



3. Dump out the old fuel and sediment into an approved container and clean carburetor bowl thoroughly.

## Maintenance

### FUEL SYSTEM MAINTENANCE(continued):

4. Fit a new rubber washer into place and re-attach fuel bowl to the carburetor. (refer to diagram below) and either clean or replace the fuel filter element. Re-assemble the fuel filter element (refer to “Fuel Filter Element Assembly” diagram below.)

POWERED BY **LIFAN**

CARB/EPA CERTIFIED

PRO SERIES





# LIFAN



Fuel Filter Element Removal



Fuel Filter Element Assembly

## Troubleshooting

### **IF THE ENGINE WILL NOT START:**

1. Check to ensure switches are in the "ON" position. (Both unit and engine)
2. Check engine oil level. Your unit possesses a Low Oil Alarm System that will not allow your engine to start if the oil is below safe operating levels. This feature is installed to increase the life of your engine and prevent engine damage. If oil level is low, fill to the full mark on dipstick. Refer to the Product Specifications for exact oil type and amounts.
3. Check the fuel level to insure adequate fuel. Add fuel if necessary.
4. Remove and inspect the spark plug for cleanliness and proper electrode gap. If needed,

POWERED BY **LIFAN**

CARB/EPA CERTIFIED

PRO SERIES





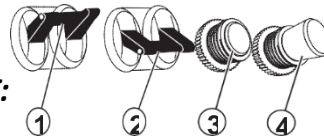
# LIFAN



clean or replace the spark plug. Refer to Spark Plug Maintenance in the Maintenance section of the Owner's Manual for proper procedure.

5. If your unit will still NOT start after performing the above checks, call our customer hotline at LIFAN Power USA Toll Free 1-866-471-7464 OPTION 2.

**NOTE:** Periodically on the initial start-up or after the unit has been stored for a long period of time, the float for the "Low Oil Alarm System" will stick to the bottom of your oil pan. Locate the two (2) wires to the Low Oil Sensor Diode (refer to figure on the right) located on the side of the engine block. Unplug these wires and, **only after ensuring the engine is full of oil**, start the engine and allow to run until warm (normally 20 minutes, as this will heat the oil and release the float on the Low Oil Alert System). Then re-plug the wires to the terminals on the Low Oil Alarm Sending Unit.



### UNIT DOES NOT PROVIDE ELECTRICAL CURRENT:

1. Plug in a small appliance or tool to test.
2. Check if the AC (or DC) Circuit Breaker is in the "ON" position. If not, place in "ON" position. If equipped with a GFCI receptacle, re-set GFCI Breaker by pushing in the reset button in the middle of the GFCI's faceplate (this must be done with the engine running).
3. If your unit still does NOT produce electricity after performing the previous checks, call LIFAN Power USA at 1-866-471-7464, OPTION 2.

### UNIT DOES NOT PROVIDE ELECTRICAL CURRENT (continued):

1. If your unit still does NOT produce electricity after performing the previous checks, call LIFAN Power USA at 1-866-471-7464 OPTION 2.

## Wattage Chart





# LIFAN



## GENERATOR WORKSHEET

RUNNING  
WATTAGE REQUIREMENTS

ADDITIONAL STARTING  
WATTAGE REQUIREMENTS

### HEATING/COOLING:

Furnace Fan, gas  
or fuel oil furnace

1/8 horsepower	300	500
1/6 horsepower	500	750
1/4 horsepower	600	1000
2/5 horsepower	700	1400
3/5 horsepower	875	2350

Central Air Conditioner

10,000 BTU	1500	2200
20,000 BTU	2500	3300
24,000 BTU	3800	4950
32,000 BTU	5000	6500
40,000 BTU	6000	6700

### HEATING/COOLING:

SUB-TOTAL:

### KITCHEN

Refrigerator, Average	600	2200
Dish Washer - Cool Dry	700	1400

POWERED BY **LIFAN**

CARB/EPA CERTIFIED

PRO SERIES





# LIFAN



Dish Washer - Hot Dry	1450	1400
Clothes Dryer - Gas	700	1800
Clothes Dryer - Electric	5750	1800
Microwave Oven, 750W	750	800
Washing Machine	750	2300
Coffee Maker	850	0
Toaster 2-slice	1100	0
Toaster 4-slice	1650	0
Electric Skillet	1500	0
Electric Range 6-in. element	1500	0
Electric Range 8-in. element	2100	0
Freezer	2500	2200
<b>KITCHEN</b>		<b>SUB-TOTAL:</b>
<b>APPLIANCES</b>		
Lights- Wattage	<b>Actual:</b>	
VCR	50	0
Heating Pad	65	0
Radio	100	0
Television - Black & White	100	0
Television - Color	300	0
Dehumidifier	400	0





# LIFAN



Electric Blanket	400	0
Garage Door Opener - 1/4HP	550	1100
Garage Door Opener - 1/3HP	725	1400
Well Pump - 1/3 hp	750	1400
Well Pump - 1/2 hp	1000	2100
Sump Pump - 1/3 hp	800	1300
Sump Pump - 1/2 hp	1050	2150
Vacuum Cleaner - Standard	800	0
Vacuum Cleaner - Deluxe	1100	0
<b>APPLIANCES</b>		<b>SUB-TOTAL:</b>
<b>COMMERCIAL PRODUCTS:</b>		
1/4" Drill	300	300
Jigsaw	300	300
Electric Weed Trimmer	500	500
Router	1000	1000
Belt Sander	1000	1000
Disc Sander	1200	1200
Chain Saw	1200	1200
Worm Drive Saw	1560	3100
12" Concrete Cutter	1800	3600
7 1/4" Circular Saw	1500	3000







# LIFAN



Disc Grinder	2000	4000
Air Compressor, Average	2000	4000
<b>COMMERCIAL PRODUCTS:</b>		<b>SUB-TOTAL:</b>

## CONVERTING AMPS OR HORSEPOWER INTO WATTS

If necessary, uses these formulas:

**Watts = Amps x Volts**

**Running Watts\* = Horsepower x 932\*\* (for motors)**

Remember, this worksheet lists **average power requirements** a particular manufacturer's device may use more or less than the listed wattage.

- Add a 10% correction factor to your totals to help overcome this uncertainty.

If your customer plans to operate devices that use electric motors, list **both** the **starting** and **running requirements** of each.





# LIFAN



- **Starting requirements** of some devices maybe significantly higher than their **running requirements**. This **higher** demand must be considered when estimating your power needs. Some small, universal motors — which do not draw a heavy starting load (drills, small saws, blenders, etc.) — require very little extra current for starting.

When listing items that use motors, take them in the order of highest-to-lowest starting requirements, as shown in the example below. Motor A, for instance, has a **starting requirement** of 2,600 watts, so it's listed first, followed by Motor B at 1,300 watts, and Motor C at 1,000 watts.

MOTOR/ DEVICE	STARTING WATTS	RUNNING WATTS
Motor A	2,600	850
Motor B	1,300	600
Motor C	1,000	750

### NO ELECTRIC MOTORS

If your list *does not* include any devices that use electric motors, simply add the power (**running**) requirements of all the items on your list to obtain the maximum power needed.

- For example, if you intend to use only an electric skillet, a 100-watt light and a heating pad (as shown below), the maximum power requirement would be 1,655 watts. In this case, a generator like the EF2600, that can produce 2,300 watts **rated** output, is recommended.

DEVICE	WATTS
Electric Skillet	1,500
Light	100
Heating Pad	65
<b>Total:</b>	<b>1,665</b>

**NOTE:** The EF1600's **rated** output is 1,400 watts, so its output would be too low to handle this load on a continuous





# LIFAN



basis.

## LIMITED WARRANTY POLICY

This warranty is limited to the following Lifan Power and Storm Series products that are distributed by the

EquipSource LLC, dba LIFAN POWER USA, located at 2205 Industrial Park Road, Van Buren, AR 72956. Effective date is 4/20/2010.

### LENGTH OF WARRANTY

PRODUCTS COVERED	Residential Use**			Commercial/Rental***
	1 <sup>st</sup> Year	2 <sup>nd</sup> Year	3 <sup>rd</sup> Year	Warranty not to exceed 300 hrs. Or terms listed below.
Walk Behind Mowers	Full unit parts and labor	Full unit parts only	Engine: parts only	Full unit: 3 months parts and labor
Water Pumps	Full unit parts and labor	Full unit parts only	Engine: parts only	Full unit: 12 months parts and labor
Generators/Inverter Generators	Full unit parts and labor	Full unit parts only	Engine: parts only	Full unit: 12 months parts and labor
Pressure Washer Engines	Full unit parts and labor	Full unit parts only	Engine: parts only	Full unit: 12 months parts and labor
Pressure Washer Pumps*	Full unit parts and labor	NA	NA	Full unit: 12 months parts and labor
Gasoline Engines	Full unit parts and labor	Full unit parts only	Engine: parts only	Full unit: 12 months parts and labor
Gasoline Powered Welders	Full unit parts and labor	Full unit parts only	Engine: parts only	Full unit: 6 months parts and labor

\*\* Residential Use is defined as items that are for personal use.

\*\*\* Commercial/Rental use is defined as any usage for income producing or other business related uses.

In order to qualify for the limited warranty the product(s) must be purchased in North America from an authorized EquipSource, LLF d/b/a Lifan Power USA dealer or a dealer authorized by EquipSource to sell Lifan products. This warranty is non-transferable and applies only to the original purchaser. The supplied "Warranty Registration Card" must be completed and on file with American Warranty Service (at the supplied address), at the time that any warranty claim is made. The "Warranty Registration Card" must be submitted with a receipt of purchase which clearly states the date of purchase and where the purchase was





# LIFAN



made.

During the warranty period (stated above) EquipSource, LLC and/or American Warranty Service will repair or replace, at its' option, any part that is proven to be defective in material or workmanship under normal usage. Repairs and/or replacement will be made without charge for parts or labor. All parts found to be defective must be returned to EquipSource or American Warranty Service at our direction. Upon reception of the parts a judgment as to the validity of the warranty claim will be determined. All parts replaced under warranty or any replacement of the complete unit will be considered part of the original product and replacement of any product, and any warranty on those parts or replacement unit will coincide with the original warranty.

To obtain Warranty Service, call our Customer Service Hotline at 1-866-471-7464 and press 2 for Warranty Service at which time you will be transferred to the technicians at American Warranty Service. In lieu of this you may call directly to American Warranty Service at 888-926-4313 to be directly connected to a repair specialist.. At EquipSource's discretion; EquipSource may elect to replace a defective unit. In this case the end user is responsible for all shipping and handling charges associated with the exchange and as stated above the warranty will coincide with the date of the original purchased unit.

## LIMITED WARRANTY POLICY

This warranty is not valid for products or parts affected or damaged by accident, collision, normal wear, fuel contamination, abuse, neglect, misuse, alteration and/or unsuitable use or unauthorized parts replacement. Mower decks and blades are specifically not warranted for impact or abrasive damage. Warranty becomes void if the customer fails to install, maintain, and/or operate the product in accordance with the instructions and recommended actions of Lifan set forth in the owner's manual. EquipSource, LLC disclaims any responsibility for time loss or loss of usage of the product, transportation, commercial loss, or any other incidental or consequential damage. Prior to any warranty service an approval code must be issued to the service center in order for the warranty claim to be valid. Any implied warranties are limited to the duration of this written limited warranty. This warranty gives you specific legal rights, and you may also have other rights, which may vary from state to state.

This warranty specifically excludes the use of any Lifan Power Equipment or Storm Series power equipment as the "Sole Source of Power" for "off the power grid applications" and this warranty will become null and void for units used for this purpose and manner. This warranty specifically excludes the use of any Lifan Power Equipment or Storm Series power equipment for the purpose of powering Life Support devices, Life Support appliances, Medical devices, and/or Medical appliances. EquipSource, LLC will not be held responsible for any damage due to the use of any Lifan or Storm Series power equipment for these purposes.





# LIFAN



## OWNER'S RESPONSIBILITY

To ensure trouble-free warranty coverage it is important that you register your Lifan generator by phone at 1-866-471-7464, or by filling out and returning to Lifan Power USA the warranty registration cards supplied with your generator. Registering your product

confirms your warranty coverage and provides a direct link between you and Lifan Power USA if we find it necessary to contact you.

Your receipt for purchase including date, model and serial number must be maintained and registered to receive service from an Authorized Service Dealer for warranty service. Proof of purchase rests solely with you, the original purchaser.

You must demonstrate reasonable care and use, and follow preventive maintenance, storage, fuel and oil usage as prescribed in the operator's manual for your Lifan Power unit. Should a product difficulty occur, you must, at your expense, deliver or ship your Lifan Power Product unit to a Lifan Authorized Service Dealer for warranty repairs (which must occur within the applicable warranty period), and arrange for pick-up or return of your unit after the repairs have been made. For the warranty assistance from a Lifan Authorized Service Dealer nearest to you, call Lifan's automated phone at 1-866-471-4764 Option 2. Should you require assistance or have questions concerning Lifan Power USA Warranty Statement, you can contact us through the web at [www.lifanpowerusa.com](http://www.lifanpowerusa.com) or call toll free 1-866-471-7464.

## LIMITED WARRANTY POLICY

### EXCLUSIONS

- Lifan Power Equipment that utilize non-Lifan replacement parts.





# LIFAN



- Failure to perform “Periodic Maintenance” as required and specified in the supplied “Owner’s Manual.”
- Costs of normal maintenance and adjustments.
- Failures caused by any contaminated fuels, oils, or lack of proper oillevels.
- Repairs or diagnostics performed by individuals other than Lifan authorized dealers not authorized in writing by Lifan.
- Failures due to normal wear and tear, accident, misuse, abuse, negligence or improper use.
- As with all mechanical devices, the Lifan engines need periodic part(s) service and replacement to perform as designed. This warranty will not cover repair when normal use has exhausted the life of a part(s) or engine.
- Failures caused by any external cause or act of God, including but not limited to, collision, theft, vandalism, riot, war, fire, freezing, lightning, earth-quake, windstorm, hail, water, flood, tornado, or hurricane or any occurrence outside of normal use and activity .
- Damage related to any animal infestation to include rodent and/or insect infestation.
- Products that are modified or altered in a manner not authorized in writing by Lifan.
- Any incidental, consequential or indirect damages caused by defects in materials or workmanship, or any delay in repair or replacement of the defective part(s).
- Failure due to misapplication.
- Telephone, cellular phone, facsimile, internet access, or other communication expenses.
- Expenses related to “customer instruction” or troubleshooting where no manufacturing defect is found.
- Overnight freight or special shipping costs for replacement part(s).
- Overtime, holiday or emergency labor.
- Starting batteries, fuses, light bulbs and engine fluids.



# LIFAN



## LIMITED WARRANTY POLICY

### DISCLAIMER OF IMPLIED WARRANTIES

This limited warranty is in lieu of all other expressed or implied warranties, including any warranty of the units fitness for any particular use and any implied warranty of MERCHANTABILITY otherwise applicable to Lifan Power Equipment and its affiliated companies shall not be reliable for any special, incidental or consequential damage, including lost profits. There are no warranties extended other than as provided herein. This limited warranty may be modified only by Lifan Power USA. Any implied warranties allowed by law shall be limited in duration to the terms of the express warranty provided herein. Some states do not allow limitations on how long an implied warranty lasts, so the above limitation may not apply to you. Some states do not allow the exclusion or limitation of incidental or consequential damages, so the above limitation may not apply to you. This warranty gives you specific legal rights. You also have other rights from state to state. Lifan's ONLY LIABILITY SHALL BE THE REPAIR OR REPLACEMENT AS STATED ABOVE. IN NO EVENT SHALL Lifan BE LIABLE FOR ANY INCIDENTAL OR CONSEQUENTIAL DAMAGES, EVEN IF SUCH DAMAGES ARE A DIRECT RESULT OF Lifan's NEGLIGENCE. Some states do not allow the exclusion or limitation of incidental or consequential damages, so the above limitation may not apply to you. This warranty gives you specific legal rights and you may also have other rights from state to state.

### OWNER'S WARRANTY RESPONSIBILITIES:

As the outdoor equipment owner, you are responsible for performance of the required maintenance listed in your owner's manual. EquipSource, LLC d/b/a Lifan Power USA recommends that you retain all receipts covering maintenance on your outdoor equipment. Lifan Power USA will not deny your warranty coverage based solely on your lack of receipts for service however, the condition of the equipment upon arrival at the service center will determine the warrantable nature of the product.

As the outdoor equipment owner, you should however be aware that Lifan Power USA may deny your warranty coverage if your outdoor equipment or a part has failed due to abuse, neglect, or improper maintenance or unapproved modifications.

You are responsible for presenting your outdoor equipment to a Lifan Power Equipment Authorized Warranty Service Dealer as soon as the problem exists. The warranty repairs should be completed in a reasonable amount of time.

If you have any questions regarding your warranty rights and responsibilities, you should contact Lifan Power USA or American Warranty Service Representative at 1-866-471-7464 Option 2 Warranty and Service or at the following address Lifan Power USA, 2205 Industrial Park Road, Van Buren, AR 72956 or by contacting us through [www.lifanpowerusa.com](http://www.lifanpowerusa.com).









# LIFAN



## LF7250-CA

### Exploded View & Parts





# LIFAN



Part	Description	q' ty	Part	Description	q' ty
1	GENERAL GASOLINE ENGINE	1	46	Throttle unit	1
2	Bolt M6×12	29	47	Spring, mixture adjustment screw	1
3	Cylinder head cover Assy	1	48	Mixture adjustment screw	1
4	Gasket, cylinder head cover	1	49	Idle adjustment screw	1
5	Air duck	1	50	Choke unit	1
6	Pusher	2	51	Mixture chamber body	1
7	Lock nut	2	52	Main nozzle	1
8	Sleeve	2	53	Float needle	1
9	Valve rocker	2	54	Main jet	1
10	Adjusting bolt for valve gap	2	55	Float	1
11	Valve rocker assy	2	56	Float chamber gasket	1
12	Pusher guide	1	57	Float chamber	1
13	Bolt M8×55	4	58	Float chamber drain Screw	1
14	Intake valve guide	1	59	Washer	2
15	Exhaust valve guide	1	60	Float chamber	1
16	Circip	2	61	Screw	1
17	Valve spring	2	62	Carburetor Assy	1
18	Spring seat, intake valve	1	63	Air cleaner gasket	1
19	Spring seat, exhaust valve	1	64	Air cleaner stay	1
20	Cap	1	65	Nut M6	2
21	Stud M8×34	2	66	Hinge	2
22	Exhaust gasket	1	67	Air cleaner case	1
23	Spark plug F6TC	1	68	Gasket	1



# LIFAN



24	Support panel assy	1	69	Retainer, filter element	1
25	Washer $\phi 5$	2	70	Filter element	1
26	Nut M6	1	71	Air cleaner cover	1
27	Lock bolt	1	72	Bolt	4
28	Regulating	1	73	Air cleaner Assy	1
29	Back spring	1	74	Drain plug	2
30	Fine regulating	1	75	Washer	2
31	Pulling rod	1	76	Bearing 6205	1
32	Regulating spring	1	77	Oil seal, crankshaft	1
33	Screw M5 $\times$ 35	1	78	Crankcase	1
34	Regulating control system	1	79	Regulating sway bar	1
35	Set pin $\phi 10\times 16$	2	80	Washer	2
36	Exhaust valve	1	81	Split pin	1
37	Intake valve	1	82	Nut M10	1
38	Gasket, cylinder head	1	83	O-ring 13 $\times$ 1.4	1
39	Cylinder head Assy	1	84	Oil sensor	1
40	Lead wind cover	1	85	Regulating shaft	1
41	Stud M6 $\times$ 96	2	86	Snap ring	1
42	Inlet gasket	1	87	Washer, driven gear	1
43	Connecting block	1	88	Driven gear, regulator	1
44	Carburetor gasket	1	89	Pin	2
45	Choke switch	1	90	Flying block	2

POWERED BY **LIFAN**

CARB/EPA CERTIFIED

PRO SERIES





# LIFAN



Part	Description	q' ty	Part	Description	q' ty
91	Washer	1	140	Bolt M5×12	3
92	Sliding sleeve	1	141	Supporting plate	1
93	Driven gear, regulator assy	1	142	Muffler stay	1
94	Extension spring	1	143	Flange bolt M8×16	3
95	Camshaft Assy	1	144	Flange bolt M6×14	2
96	Tappet	2	145	Muffler	1
97	Pin	1	146	Muffler guard	1
98	Limit position panel	1	147	Muffler gasket	1
99	Woodruff key	1	148	Exhaust pipe comp.	1
100	Drive gear	1	149	Bolt M8×25	2
101	Crankshaft	1	150	Nut M8	2
102	Timing driving gear	1	151	Muffler Assy	1
103	Crankshaft assy	1	152	Flywheel	1
104	Shank	1	153	Ignition coil	1
105	Connecting rod cover	1	154	Screw M6×25	2
106	Bolt	2	155	Engine stop cable	1
107	Connecting rod	1	156	Ignition coil	1
108	Piston pin circlip	2	157	Spark plug cap	1
109	Piston	1	158	Ignition coil assy	1
110	Piston pin	1	159	Flywheel	1
111	Piston ring ( I )	1	160	Flywheel fan	1
112	Piston ring ( II )	1	161	Starting flange	1





# LIFAN



113	Side rail	2	162	Nut M14×1.5	1
114	Expander	1	163	Diode	1
115	Scraper ring set	1	164	Fan hood assy	1
116	Piston ring set	1	165	Set screw	1
117	Gasket, crankcase	1	166	Spring lid	1
118	Bearing 6205	1	167	Friction spring	1
119	Set pin	2	168	Ratchet	2
120	Crankcase cover	1	169	Ratchet spring	2
121	Oil seal, crankshaft	1	170	Starter rolls	1
122	Seal	1	171	Spiral spring	1
123	Dipstick	1	172	Casing	1
124	Dipstick with seal	1	173	Rope	1
125	Bolt M8×32	6	174	Pulling handle	1
126	Dust plate	1	175	Bolt M6×8	3
127	Stator cover	1	176	Recoil starter	1
128	Generator fan	1	177	Recoil starter assy	1
129	Rotor comp.	1	178	Plastic clip	1
130	Bearing 6202-2RS	1	179	Crankcase side plate assy	1
131	Stator Assy	1	180	Bolt M6×22	1
132	Generator stay	1	181	Fuel tank	1
133	Brush Assy	1	182	Fuel filler cap comp.	1
134	Bolt M5×14	3	183	Carbon canister	1
135	Voltage regulator	1	184	Fuel filter	1
136	Plain washer	1	185	Fuel sensor	1





# LIFAN



137	Bolt M8×180	1	186	Screw M5×10	2
138	Flange bolt M6×125	4	187	Flange bolt M6×22	4
139	Generator end cover	1	188	Washer	4

Part	Description	q' ty	Part	Description	q' ty
189	Cushion	4	243	Cushion φ8.5	4
190	Outlet pipe ( φ9× φ4.5×130)	1	244	Road wheel	2
191	Tube clip	3	245	Wheel axle	1
192	Fuel cock	1	246	Cotter pin φ4×25	2
193	Fitting brush, fuel tank	4	247	Bolt M8×60	1
194	Gasket, fuel sensor	1	248	Rubber pad, frame	1
195	Stripe, fuel tank	1	249	Grommet	1
198	Control panel	1	250	protective covering(1)	1
199	Timer	1	252	Charge coil	1
200	Voltage switch	1	253	Clamper, cord	1
201	V socket	1	254	Bolt M6×35	2
202	T socket	1	255	Relay, start-up	1
204	Spring washer φ4	1	256	Rotor comp.	1
205	Screw M4×10	1	257	Starting clutch	1
206	Bridge Rectifier 20A,800V	1	258	Starting motor Assy	1
209	Circuit protector	1	259	Base, starting	1
216	Boot, switch wire	1	260	Housing, starting clutch	1
217	Connector	3	261	Driven gear	1
218	Consent 20A	1	262	Brush comp.	4







# LIFAN



219	Consent 30A	1	263	Stator Assy	1
220	Consent 20A	2	264	Spring, brush	4
221	Wire clamp	2	265	Reducing gear	1
222	Ignition switch	3	266	Stay, brush	1
224	Control panel case	1	267	Cable, starting motor	1
225	Boot, AC output wire	1	268	Insulator	1
228	Control panel Assy	1	269	Bolt M5×14	2
229	Frame comp	1	270	Screw M4×6	1
230	Bottom rubber A	2	271	Packing ring	1
231	Bottom rubber B	2	272	Screw M5×32	4
232	Flange nut M8	16	273	Nut M6	2
233	Flat washer $\varnothing$ 8	4	274	Bolt M6×35	2
234	Spring washer $\varnothing$ 8	4	275	Spring washer 4mm	3
235	Bolt M6×12	4	276	Screw M4×14	2
236	Backstop	2	277	Washer 4mm	2
237	shock pad 52×40×23	2	278	Set pin 8×14	2
238	Flat washer $\varnothing$ 6	2	279	locknut M5	2
239	Spring washer $\varnothing$ 6	2	280	locknut M6	8
240	Bolt M6×16	2	281	Air outlet joint	1
241	Head beam	2	282	Ventilation tube	1
242	Bolt M8×40	2	283	Pipe clamp 10mm-14mm	1





# LIFAN



## LF8750iE-CA

### Exploded View & Parts



POWERED BY **LIFAN** CARB/EPA CERTIFIED PRO SERIES 



# LIFAN



Part	Description	q' ty	Part	Description	q' ty
1	GENERAL GASOLINE ENGINE	1	46	Throttle unit	1
2	Bolt M6×12	29	47	Spring, mixture adjustment screw	1
3	Cylinder head cover Assy	1	48	Mixture adjustment screw	1
4	Gasket, cylinder head cover	1	49	Idle adjustment screw	1
5	Air duck	1	50	Choke unit	1
6	Pusher	2	51	Mixture chamber body	1
7	Lock nut	2	52	Main nozzle	1
8	Sleeve	2	53	Float needle	1
9	Valve rocker	2	54	Main jet	1
10	Adjusting bolt for valve gap	2	55	Float	1
11	Valve rocker assy	2	56	Float chamber gasket	1
12	Pusher guide	1	57	Float chamber	1
13	Bolt M8×55	4	58	Float chamber drain Screw	1
14	Intake valve guide	1	59	Washer	2
15	Exhaust valve guide	1	60	Float chamber	1
16	Circip	2	61	Screw	1
17	Valve spring	2	62	Carburetor Assy	1
18	Spring seat, intake valve	1	63	Air cleaner gasket	1
19	Spring seat, exhaust valve	1	64	Air cleaner stay	1
20	Cap	1	65	Nut M6	2
21	Stud M8×34	2	66	Hinge	2
22	Exhaust gasket	1	67	Air cleaner case	1
23	Spark plug F6TC	1	68	Gasket	1

POWERED BY **LIFAN**

CARB/EPA CERTIFIED

PRO SERIES





# LIFAN



24	Support panel assy	1	69	Retainer, filter element	1
25	Washer $\phi$ 5	2	70	Filter element	1
26	Nut M6	1	71	Air cleaner cover	1
27	Lock bolt	1	72	Bolt	4
28	Regulating	1	73	Air cleaner Assy	1
29	Back spring	1	74	Drain plug	2
30	Fine regulating	1	75	Washer	2
31	Pulling rod	1	76	Bearing 6205	1
32	Regulating spring	1	77	Oil seal, crankshaft	1
33	Screw M5 $\times$ 35	1	78	Crankcase	1
34	Regulating control system	1	79	Regulating sway bar	1
35	Set pin $\phi$ 10 $\times$ 16	2	80	Washer	2
36	Exhaust valve	1	81	Split pin	1
37	Intake valve	1	82	Nut M10	1
38	Gasket, cylinder head	1	83	O-ring 13 $\times$ 1.4	1
39	Cylinder head Assy	1	84	Oil sensor	1
40	Lead wind cover	1	85	Regulating shaft	1
41	Stud M6 $\times$ 96	2	86	Snap ring	1
42	Inlet gasket	1	87	Washer, driven gear	1
43	Connecting block	1	88	Driven gear, regulator	1
44	Carburetor gasket	1	89	Pin	2
45	Choke switch	1	90	Flying block	2

POWERED BY **LIFAN**

CARB/EPA CERTIFIED

PRO SERIES





# LIFAN



Part	Description	q' ty	Part	Description	q' ty
91	Washer	1	140	Bolt M5×12	3
92	Sliding sleeve	1	141	Supporting plate	1
93	Driven gear, regulator assy	1	142	Muffler stay	1
94	Extension spring	1	143	Flange bolt M8×16	3
95	Camshaft Assy	1	144	Flange bolt M6×14	2
96	Tappet	2	145	Muffler	1
97	Pin	1	146	Muffler guard	1
98	Limit position panel	1	147	Muffler gasket	1
99	Woodruff key	1	148	Exhaust pipe comp.	1
100	Drive gear	1	149	Bolt M8×25	2
101	Crankshaft	1	150	Nut M8	2
102	Timing driving gear	1	151	Muffler Assy	1
103	Crankshaft assy	1	152	Flywheel	1
104	Shank	1	153	Ignition coil	1
105	Connecting rod cover	1	154	Screw M6×25	2
106	Bolt	2	155	Engine stop cable	1
107	Connecting rod	1	156	Ignition coil	1
108	Piston pin circlip	2	157	Spark plug cap	1
109	Piston	1	158	Ignition coil assy	1
110	Piston pin	1	159	Flywheel	1
111	Piston ring ( I )	1	160	Flywheel fan	1
112	Piston ring ( II )	1	161	Starting flange	1
113	Side rail	2	162	Nut M14×1.5	1

POWERED BY **LIFAN**

CARB/EPA CERTIFIED

**PRO SERIES**







# LIFAN



114	Expander	1	163	Diode	1
115	Scraper ring set	1	164	Fan hood assy	1
116	Piston ring set	1	165	Set screw	1
117	Gasket, crankcase	1	166	Spring lid	1
118	Bearing 6205	1	167	Friction spring	1
119	Set pin	2	168	Ratchet	2
120	Crankcase cover	1	169	Ratchet spring	2
121	Oil seal, crankshaft	1	170	Starter rolls	1
122	Seal	1	171	Spiral spring	1
123	Dipstick	1	172	Casing	1
124	Dipstick with seal	1	173	Rope	1
125	Bolt M8×32	6	174	Pulling handle	1
126	Dust plate	1	175	Bolt M6×8	3
127	Stator cover	1	176	Recoil starter	1
128	Generator fan	1	177	Recoil starter assy	1
129	Rotor comp.	1	178	Plastic clip	1
130	Bearing 6202-2RS	1	179	Crankcase side plate assy	1
131	Stator Assy	1	180	Bolt M6×22	1
132	Generator stay	1	181	Fuel tank	1
133	Brush Assy	1	182	Fuel filler cap comp.	1
134	Bolt M5×14	3	183	Carbon canister	1
135	Voltage regulator	1	184	Fuel filter	1
136	Plain washer	1	185	Fuel sensor	1
137	Bolt M8×180	1	186	Screw M5×10	2





# LIFAN



138	Flange bolt M6×125	4	187	Flange bolt M6×22	4
139	Generator end cover	1	188	Washer	4

Part	Description	q' ty	Part	Description	q' ty
189	Cushion	4	243	Cushion φ8.5	4
190	Outlet pipe ( φ9× φ4.5×130)	1	244	Road wheel	2
191	Tube clip	3	245	Wheel axle	1
192	Fuel cock	1	246	Cotter pin φ4×25	2
193	Fitting brush, fuel tank	4	247	Bolt M8×60	1
194	Gasket, fuel sensor	1	248	Rubber pad, frame	1
195	Stripe, fuel tank	1	249	Grommet	1
198	Control panel	1	250	protective covering(1)	1
199	Timer	1	252	Charge coil	1
200	Idle speed switch	1	253	Clamper, cord	1
201	V socket	1	254	Bolt M6×35	2
202	T socket	1	255	Relay, start-up	1
204	Spring washer φ4	1	256	Rotor comp.	1
205	Screw M4×10	1	257	Starting clutch	1
206	Bridge Rectifier 20A,800V	1	258	Starting motor Assy	1
209	Circuit protector	1	259	Base, starting	1
216	Boot, switch wire	1	260	Housing, starting clutch	1
217	Connector	3	261	Driven gear	1
218	Consent 20A	1	262	Brush comp.	4
219	Consent 30A	1	263	Stator Assy	1



# LIFAN



220	Consent 20A	2	264	Spring, brush	4
221	Wire clamp	2	265	Reducing gear	1
222	Ignition switch	3	266	Stay, brush	1
224	Control panel case	1	267	Cable, starting motor	1
225	Boot, AC output wire	1	268	Insulator	1
228	Control panel Assy	1	269	Bolt M5×14	2
229	Frame comp	1	270	Screw M4×6	1
230	Bottom rubber A	2	271	Packing ring	1
231	Bottom rubber B	2	272	Screw M5×32	4
232	Flange nut M8	16	273	Nut M6	2
233	Flat washer $\varnothing$ 8	4	274	Bolt M6×35	2
234	Spring washer $\varnothing$ 8	4	275	Spring washer 4mm	3
235	Bolt M6×12	4	276	Screw M4×14	2
236	Backstop	2	277	Washer 4mm	2
237	shock pad 52×40×23	2	278	Set pin 8×14	2
238	Flat washer $\varnothing$ 6	2	279	locknut M5	2
239	Spring washer $\varnothing$ 6	2	280	locknut M6	8
240	Bolt M6×16	2	281	Air outlet joint	1
241	Head beam	2	282	Ventilation tube	1
242	Bolt M8×40	2	283	Pipe clamp 10mm-14mm	1



# LIFAN



**Please Read this Owner's Manual Carefully  
before Operating Your New Generator.**

**This Owner's Manual includes the operation and maintenance of the LF4000-CA,  
LF7250-CA  
LF8750iE-CA**

**Thank you for purchasing our Energy  
Storm generator!**

All information in this publication is based on the latest product information available at the time of approval for printing. We reserve the right to make changes at anytime without notice and without incurring any obligation.

The copyright of this manual belongs to EquipSource, LLC. No parts of this publication may be reproduced without the written permission of EquipSource, LLC. This manual should be considered a permanent part of the generator and should remain with it if it is resold.

**For Product Support and Service Please Scan the QR  
Code Below or Visit Us at [www.lifanpowerusa.com](http://www.lifanpowerusa.com)**

**Or Call Toll Free 1-866-471-74**

POWERED BY **LIFAN**

CARB/EPA CERTIFIED

**PRO SERIES**





**LIFAN Power USA is proud to offer it's extensive line of LIFAN Power Equipment!!!!**  
**LIFAN Power USA is the sole distribution for LIFAN Power Equipment in the United States. LIFAN's unmatched investment in research and development ensures quality engines, generators, pressure washers, and water pumps at an extraordinary value. LIFAN continues to be an innovator and presently holds over 3,000 patents. Product performance has earned LIFAN the reputation of dependability and value in all their international markets.**

**LIFAN has been manufacturing and selling innovative and value driven products worldwide for over 15 years. LIFAN is distributed in over 100 countries. LIFAN is the largest privately owned company in China with sales over One-Billion Dollars annually and 14,000 employees. As the largest engine manufacturer in China, LIFAN builds more than five million small engines each year. This worldwide presence has been made possible by producing equipment that is durable, reliable, and rugged for any market.**

**LIFAN Power USA prides itself in standing behind all LIFAN products with our comprehensive warranty policy. LIFAN Power USA continues to offer the highest level of service and support in the industry. With proven performance and unmatched value, LIFAN Power Equipment will always keep you running.**

**All information in this publication is based on the latest product information available at the time of approval for printing. EquipSource, LLC reserves the right to make changes at any time without notice and without incurring any obligation. The copyright of this document belongs to EquipSource, LLC. No parts of this publication may be reproduced without the written permission of EquipSource, LLC.**

**For additional product information of any LIFAN Power Equipment, please visit us at our website - [www.lifanpowerusa.com](http://www.lifanpowerusa.com).**

**LIFAN POWER USA  
2205 Industrial Park Rd.  
Van Buren, AR 72956  
[www.lifanpowerusa.com](http://www.lifanpowerusa.com)  
866-471-7464**

