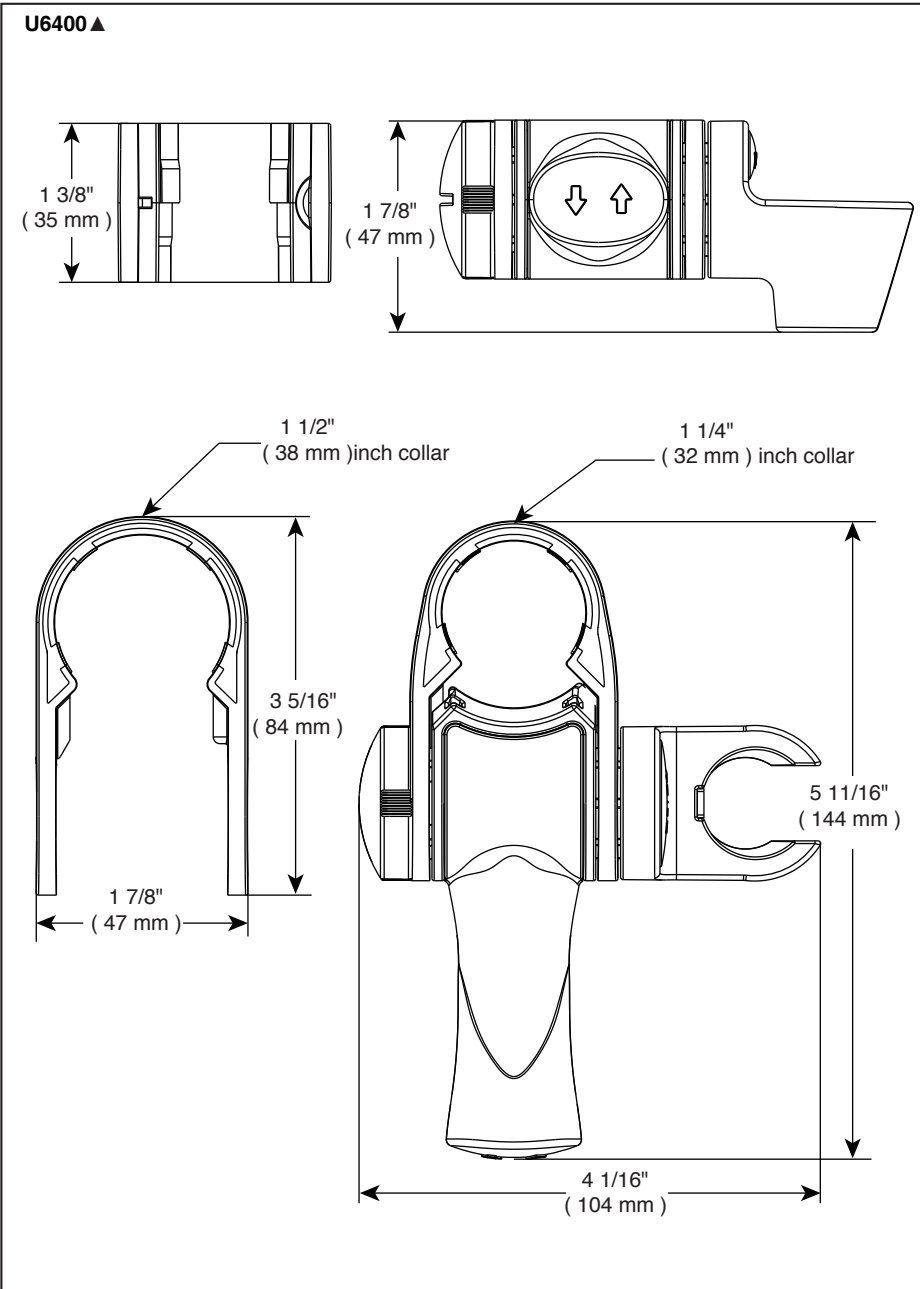


Submitted Model No.: \_\_\_\_\_

Specific Features: \_\_\_\_\_



▲ Designate proper finish suffix

Delta reserves the right (1) to make changes in specifications and materials, and (2) to change or discontinue models, both without notice or obligation. Dimensions are for reference only. See current full-line price book or [www.deltafaucet.com](http://www.deltafaucet.com) for finish options and product availability.

DSP-B-U6400 Rev. A



# SHOWER ARM/ WALL MOUNTS

- Accommodates Conical Hose Nuts
- ADA Compliant

## STANDARD SPECIFICATIONS:

- Mounts handshower to grab bar.
- Accommodates conical hose nuts.
- Fits 1 1/2" or 1 1/4" grab bars.
- Rotatable handshower mount.
- Design allows for hand shower to be mounted to left or right of the bar.
- Operable by left hand, right hand or closed fist.

## WARRANTY

- Lifetime limited warranty on parts (other than electronic parts and batteries) and finishes: or, for commercial users, for 5 years from date of purchase.
- 5 year limited warranty on electronic parts (other than batteries); or, for commercial users, for 1 year from the date of purchase. No warranty is provided on batteries.

## COMPLIES WITH

-  Indicates compliance to ICC / ANSI A117.1



55 E. 111th Street, Indianapolis, Indiana 46280  
 350 South Edgeware Road, St. Thomas, Ontario Canada N5P 4L1  
 © 2015 Masco Corporation of Indiana