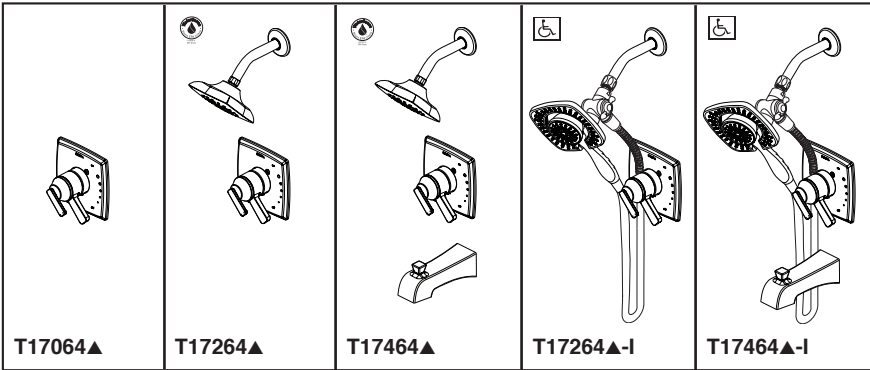


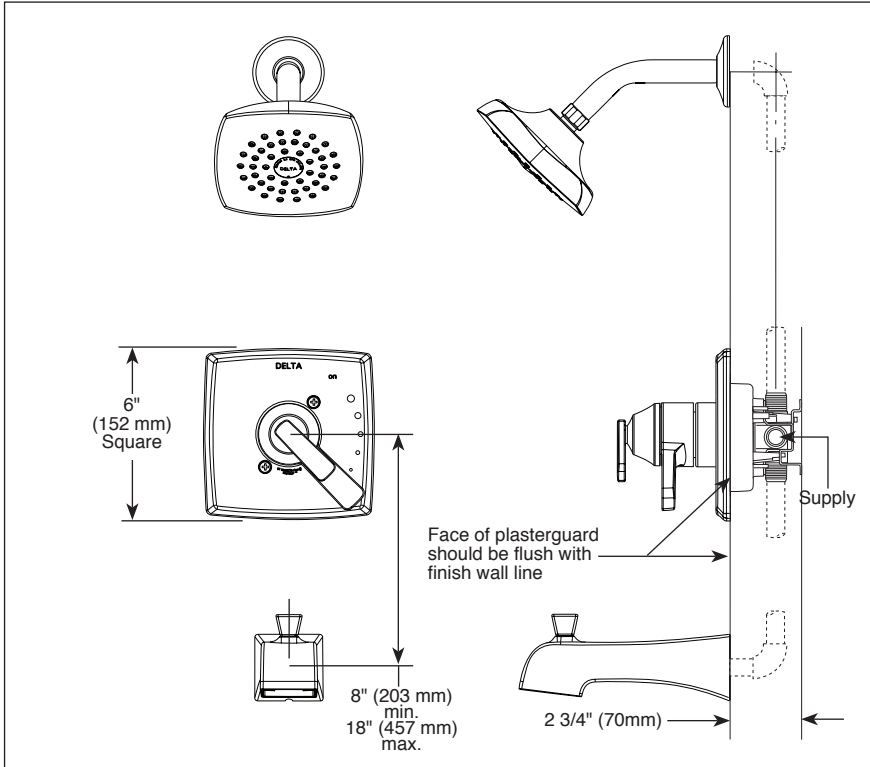


TUB AND SHOWER FAUCET TRIM

- Ashlyn® Bath Collection
- Valve Only (T17064 Series)
- Shower Only (T17264 & T17264-I Series)
- Tub/Shower (T17464 & T17464-I Series)



Submitted Model No.: _____
 Specific Features: _____



FEATURES:

- Monitor® 17 Series pressure balanced bath mixing valve trim
- In2ition® available select models with -I suffix

STANDARD SPECIFICATIONS:

- Maintains a balanced pressure of hot and cold water even when a valve is turned on or off elsewhere in the system.
- For use with MultiChoice® Universal rough valve body. (R10000 Series)
- Back-to-back installation capability.
- Solid brass forged body.
- Lever volume control handle; temperature adjustment dial.
- Field adjustable to limit handle rotation into hot water zone.
- Maximum dial rotation adjustable between 90° and 180°.
- All parts replaceable from the front of the valve.
- 2.0 gpm @ 80 PSI for standard models and 2.5 gpm @ 80 PSI for models with -I suffix.
- Red/blue pad print temperature indicators on handle.
- Stem extension kit RP77992 can be ordered to allow for an additional 1 3/4" wall thickness. RP77992 ships with chrome escutcheon screws. For special finishes also order RP12630 escutcheon screws in desired finish.

WARRANTY

- Lifetime limited warranty on parts (other than electronic parts and batteries) and finishes; or, for commercial users, for 5 years from date of purchase.
 - 5 year limited warranty on electronic parts (other than batteries); or, for commercial users, for 1 year from the date of purchase.
- No warranty is provided on batteries.

58064▲ Touch Clean® Raincan Showerhead

5 1/2" (140 mm)
 12 5/8" (320 mm)

Full Spray
 Massage

RP64859▲ Touch-Clean® Raincan Showerhead

2 11/16" (68 mm)
 5 1/4" (133 mm)

Full Spray

RP77091▲ (Pull-Up Diverter)

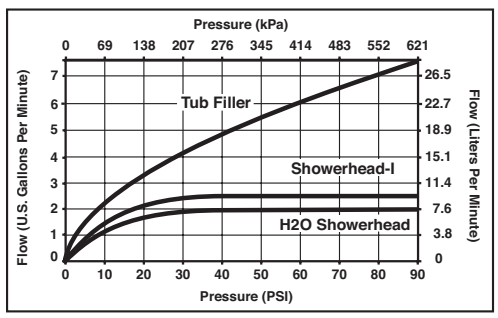
3 3/16" (81 mm)
 7 15/16" (202 mm)

RP77992 Available Extension Kit



COMPLIES WITH:

- ASME A112.18.1 / CSA B125.1
- ASSE 1016
- Indicates compliance to ICC/ANSI A117.1 - Valve control only
- EPA WaterSense®



55 E. 111th Street, Indianapolis, Indiana 46280
 350 South Edgeware Road, St. Thomas, ON N5P 4L1
 © 2015 Masco Corporation of Indiana

▲ Designate Proper Finish Suffix
 Delta reserves the right (1) to make changes in specifications and materials, and (2) to change or discontinue models, both without notice or obligation. Dimensions are for reference only. See current full-line price book or www.deltafaucet.com for finish options and product availability.
 DSP-B-T17064 Rev. C