

DEWALT®

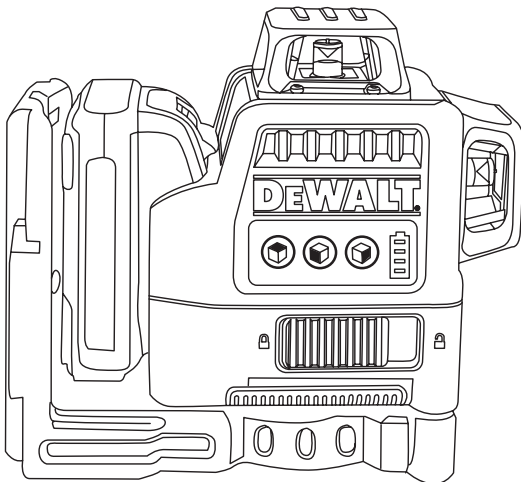
EN

ES

FR

PT

DW089LR, DW089LG: 3 x 360° Line Laser
DW0811LR, DW0811LG: 2 x 360° Line Laser
DW089LR, DW089LG: 3 x láser de línea de 360°
DW0811LR, DW0811LG: 2 x láser de línea de 360°
DW089LR, DW089LG : Laser à ligne 3 x 360°
DW0811LR, DW0811LG : Laser à ligne 2 x 360°
DW089LR, DW089LG: Três Lasers de Linha de 360°
DW0811LR, DW0811LG: Dois Lasers de Linha de 360°



www.2helpU.com

Please read these instructions before operating the product

Lea estas instrucciones antes de utilizar el producto

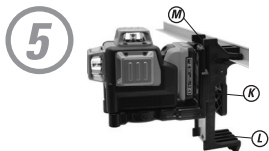
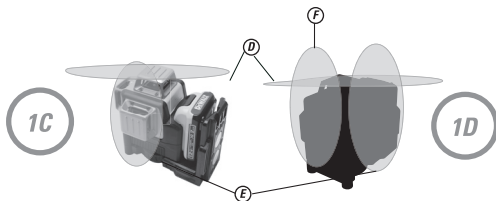
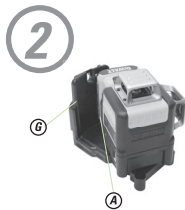
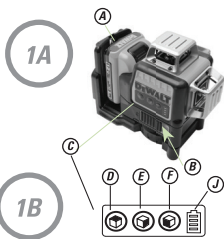
Bien lire ces instructions avant d'utiliser le produit

Leia estas instruções antes de operar o produto

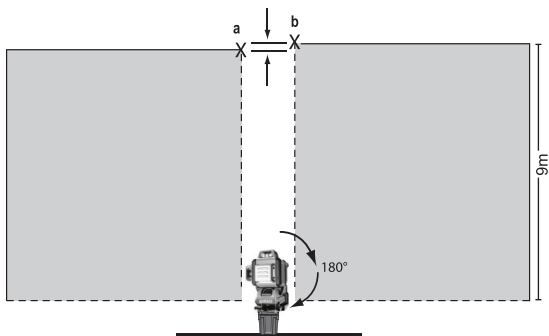


DEWALT

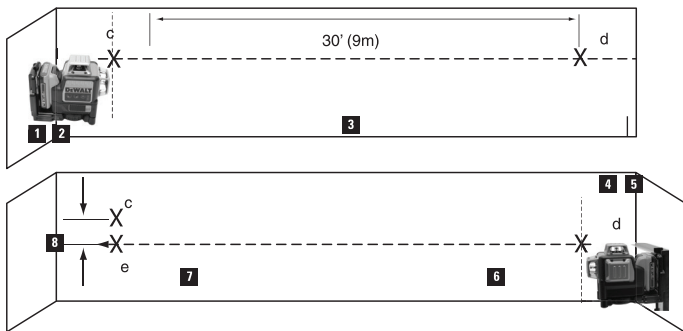
Figures



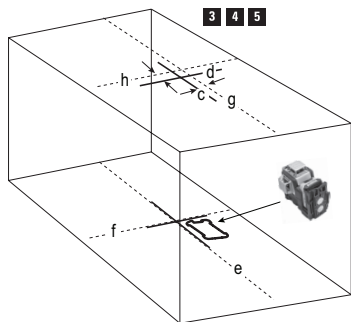
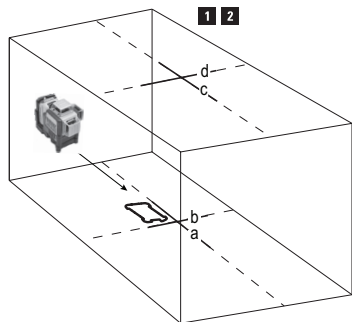
7



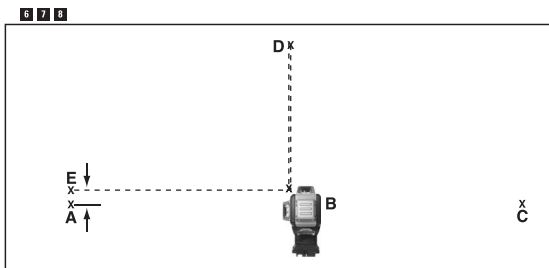
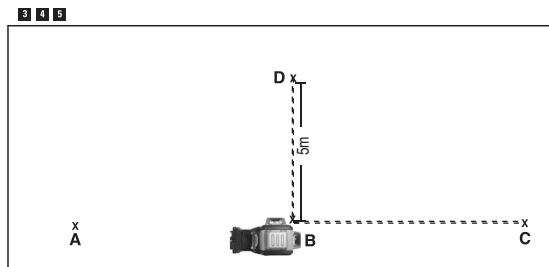
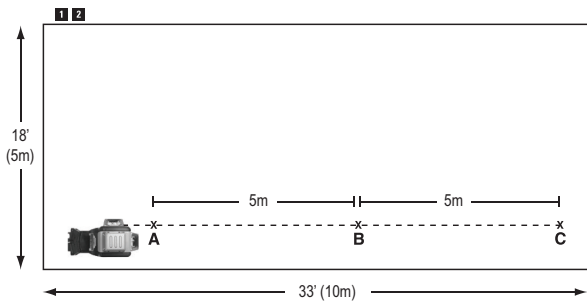
8



9



10





- Safety
- Product Overview
- Batteries and Power
- Operation
- Accuracy Check and Calibration
- Specifications


User Safety

Definitions: Safety Guidelines

The definitions below describe the level of severity for each signal word. Please read the manual and pay attention to these symbols.

 **DANGER:** Indicates an imminently hazardous situation which, if not avoided, will result in death or serious injury.

 **WARNING:** Indicates a potentially hazardous situation which, if not avoided, could result in death or serious injury.


 **CAUTION:** Indicates a potentially hazardous situation which, if not avoided, may result in minor or moderate injury.


NOTICE: Indicates a practice not related to personal injury which, if not avoided, may result in property damage.

If you have any questions or comments about this or any DeWalt tool, call 1-800-4-DeWALT (1-800-433-9258) or go to www.2helpU.com on the Internet.

 **WARNING:**
Read and understand all instructions. Failure to follow the warnings and instructions may result in electric shock, fire and/or serious injury.

SAVE THESE INSTRUCTIONS

 **WARNING:**
Laser Radiation Exposure. Do not disassemble or modify the laser level. There are no user serviceable parts inside. Serious eye injury could result.

 **WARNING:**
Hazardous Radiation. Use of controls or adjustments or performance of procedures other than those specified herein may result in hazardous radiation exposure.

The label on your tool may include the following symbols.

V.....volts

mW.....milliwatts

.....laser warning symbol

nm.....wavelength in nanometers

2.....Class 2 Laser

Warning Labels

For your convenience and safety, the following labels are on your laser.

WARNING: To reduce the risk of injury, user must read instruction manual.

WARNING: LASER RADIATION. DO NOT STARE INTO BEAM. Class 2 Laser Product



- Do not operate the laser in explosive atmospheres, such as in the presence of flammable liquids, gases, or dust. Power tools create sparks which may ignite the dust or fumes.
- Use the laser only with the specifically designated batteries. Use of any other batteries may create a risk of fire.
- Store idle laser out of reach of children and other untrained persons. Lasers are dangerous in the hands of untrained users.
- Do not use tool if switch does not turn it on or off. Any tool that cannot be controlled with the switch is dangerous and must be repaired.
- Do not use optical tools such as a telescope or transit to view the laser beam. Serious eye injury could result.

- **Do not place the laser in a position which may cause anyone to intentionally or unintentionally stare into the laser beam.** Serious eye injury could result.
- **Do not position the laser near a reflective surface which may reflect the laser beam toward anyone's eyes.** Serious eye injury could result.
- **Turn the laser off when it is not in use.** Leaving the laser on increases the risk of staring into the laser beam.
- **Do not modify the laser in any way.** Modifying the tool may result in hazardous laser radiation exposure.
- **Do not operate the laser around children or allow children to operate the laser.** Serious eye injury may result.
- **Do not remove or deface warning labels.** If labels are removed user or others may inadvertently expose themselves to radiation.
- **Position the laser securely on a level surface.** Damage to the laser or serious injury could result if the laser falls

Laser Information

The DW089LR, DW089LG 3-Beam 360° Line Laser and the DW0811LR, DW0811LG 2-Beam 360° Line Laser are Class 2 laser products. The lasers are self-leveling laser tools that can be used for horizontal (level) and vertical (plumb) alignment projects.

This product complies with 21 CFR 1040.10 and 1040.11 except for deviations pursuant to laser Notice 50, dated June 24, 2007.

Conforms to UL STDS 61010-1 & 2595

Certified to CSA STD C22.2 No. 61010-1



WARNING:

Read and understand all instructions. Failure to follow all instructions listed below may result in electric shock, fire and/or serious personal injury.

Work Area

- Keep your work area clean and well lit. Cluttered benches and dark areas invite accidents.
- Do not operate laser tools in explosive atmospheres, such as in the presence of flammable liquids, gases, or dust.
- Keep children and bystanders away while operating a laser tool. Distractions can cause you to lose control.

Electrical Safety

- **Use battery operated tool only with the specifically designed batteries.** Use of any other batteries may create a risk of fire.

Product Overview



WARNING:

Never modify the tool or any part of it. Damage to the laser or personal injury could result.

Figure 2 - Battery Interface ^(A)

Figure 1A - Pendulum Lock ^(B)

Figure 1B - Keypad ^(C)

Figure 1B - ON/OFF button: horizontal laser line ^(D)

Figure 1B - ON/OFF button: side laser line ^(E)

Figure 1B - ON/OFF button: front vertical laser line (DCE089R/G only) ^(F)

Figure 2 - Magnetic pivot bracket ^(G)

Figure 4 - Tripod thread fitting (1/4 - 20 & 5/8 - 11) ^(I)

Figure 1B - Battery level indicator ^(J)

Figure 5 - Ceiling Mount Clamp ^(K)

Figure 5 - Ceiling Mount ^(L)

Figure 5 - Screw Hole ^(M)

This tool is powered by the following DeWALT 12V Battery packs: DCB120, DCB127 or may also be powered using the DEWALT AA Starter pack which can carry 4 x AA batteries. Note: The AA starter pack is recommended only for use with the red laser.

Battery Installation / Removal

Using the AA Starter Pack:

**CAUTION:**

The AA starter pack is designed specifically for use only with the DeWALT 12V compatible laser products and cannot be used with any other tools. Do not attempt to modify the product.

To install batteries:

- Lift up the battery compartment cover as shown in Figure 64.
- Insert four fresh AA batteries in the compartment, placing the batteries according to (+) and (-) on the inside of the compartment.
- Install the AA starter Battery pack as shown in Figure 65.

Using the 12V DEWALT Rechargeable Pack:

- Install the 12V Battery pack as shown in Figure 66.

**WARNING:**

Batteries can explode, or leak, and can cause injury or fire. To reduce this risk:

- Carefully follow all instructions and warnings on the battery label and package and accompanying Battery Safety Leaflet.
- Always insert batteries correctly with regard to polarity (+ and -), marked on the battery and the equipment.
- Do not short battery terminals.
- Do not charge disposable batteries.
- Do not mix old and new batteries. Replace all of them at the same time with new batteries of the same brand and type.
- Remove dead batteries immediately and dispose of per local codes.
- Do not dispose of batteries in fire.
- Keep batteries out of reach of children.
- Remove batteries when the device is not in use.
- Use only the charger specified for your rechargeable battery pack.

Personal Safety

- Stay alert, watch what you are doing and use common sense when operating a laser tool. Do not use tool while tired or under the influence of drugs, alcohol, or medication. A moment of inattention while operating power tools may result in serious personal injury.
- Use personal protective equipment. Always wear eye protection. Protective equipment such as dust mask, non-skid safety shoes, hard hat, or hearing protection used for appropriate conditions will reduce personal injuries.

Service

- Tool service must be performed only by qualified repair personnel. Service or maintenance performed by unqualified personnel could result in a risk of injury.
- When servicing a tool, use only identical replacement parts. Follow instructions in the Maintenance section of this manual. Use of unauthored parts or failure to follow Maintenance Instructions may create a risk of electric shock or injury.

To locate your nearest DeWALT service center call 1-800-4-DeWALT (1-800-433-9258) go to <http://www.2helpU.com> on the Internet.

Operating Tips

- Use only new, high-quality, name brand AA batteries or specified rechargeable DEWALT 12V Li-Ion pack for best results.
- Ensure batteries are in good working condition. If the low battery red indicator light is flashing, the batteries need replacement.
- To extend battery life, turn laser off when not working with or marking the beam.
- To ensure the accuracy of your work, check to make sure your laser is calibrated often. See *Field Calibration Check*.
- Before attempting to use the laser, make sure it is positioned securely, on a smooth, flat surface.
- Always mark the center of the beam created by the laser.
- Extreme temperature changes may cause movement of internal parts that can affect accuracy. Check your accuracy often while working. See *Field Calibration Check*.
- If the laser has been dropped, check to make sure your laser is still calibrated. See *Field Calibration Check*.
- Place the laser on a smooth, flat, stable surface that is level in both directions.

Low Battery Indication

The DW089LR, DW089LG, DW0811LR, DW0811LG lasers are equipped with a battery gauge as shown in Figure 1B. The battery gauge indicates remaining power with each LED representing 25%. The bottom LED will illuminate and blink indicating that the level is low (below 12.5%) and the batteries need to be replaced. The laser may continue to operate for a short time while the batteries continue to drain, but the beam(s) will quickly dim. After fresh batteries are installed and the laser is turned on again, the laser beam(s) will return to full brightness and the battery indicator level will indicate full capacity. (A flashing laser beam is not caused by low batteries; see **Out of Tilt Range Indicator**.) If all 4 LEDs on the battery meter LEDs continuously flash this does not indicate a low battery; see "The Battery Meter LEDs Flash" under **Troubleshooting**.

Operation

To Turn the Lasers On and Off (See Figure 1)

With the laser off, place it on a flat level surface. Slide the Pendulum Lock switch **(B)** to the Unlocked/ON position. The DCE089G/R model has three ON/OFF buttons on the keypad **(C)** one for a horizontal laser line **(D)**, one for a side vertical laser line **(E)** and one for a front vertical laser line **(F)** (DCE089G/R only). The DCE0811G/R has two lines - a horizontal line and side vertical line. Each laser line is powered on by pressing its ON/OFF button on the keypad.

The laser lines can be powered one at a time or all at the same time. Pressing the ON/OFF keys again turns the laser lines off. Slide the Pendulum Lock switch to the OFF/Locked position when the laser is not in use. If the pendulum lock switch is not placed in the lock position all 4 LED's will continuously flash on the Battery Meter.

Using the Lasers

Out of LEVEL Range Indicator

The lasers are designed to self-level. If the laser has been tilted so much that it cannot self-level ($> 4^\circ$), the laser beam will flash. There are two flashing sequences associated with the out of level condition: (i) between 4° and 10° the beams flash with a constant blink cycle; (ii) at angles greater than 10° the beams flash with a three blink cycle. When the beams flash THE LASER IS NOT LEVEL (OR PLUMB) AND SHOULD NOT BE USED FOR DETERMINING OR MARKING LEVEL OR PLUMB. Try repositioning the laser on a more level surface.

Using the Pivot Bracket (See figure 2)



WARNING:

Position the laser and/or wall mount on a stable surface. Serious personal injury or damage to the laser may result if the laser falls.

The laser has a magnetic pivot bracket **(G)** permanently attached to the unit. This bracket allows the unit to be mounted to any upright surface made of steel or iron. Common examples of suitable surfaces include steel framing studs, steel door frames and structural steel beams. The bracket also has a keyhole slot **(H)** allowing the unit to be hung from a nail or screw on any kind of surface.

Using the Laser with the CEILING Mount (See Figure 3)

The laser ceiling mount **(I)** (if included) offers more mounting options for the laser. The ceiling mount has a clamp **(K)** at one end which can be fixed to a wall angle for acoustic ceiling installation. At each end of the ceiling mount is a screw hole **(M)**, allowing the ceiling mount to be attached to any surface with a nail or screw.

Once the ceiling mount is secured, its steel plate provides a surface to which the magnetic pivot bracket **(G)** can be attached. The position of the laser can then be fine-tuned by sliding the magnetic pivot bracket up or down on the wall mount.

Using the Lasers with Accessories

The lasers are equipped with 1/4" - 20 and 5/8" - 11 female threads on the bottom of the unit. This thread is to accommodate current or future DeWALT accessories. Only use DeWALT accessories specified for use with this product. Follow the directions included with the accessory.



CAUTION:

The use of any other accessory not recommended for use with this tool could be hazardous.

If you need any assistance in locating any accessory, please contact your nearest DeWALT service center or go to www.2helpU.com on the Internet.

Leveling the Lasers

As long as the laser is properly calibrated, the laser is self-leveling. Each laser is calibrated at the factory to find level as long as it is positioned on a flat surface within average $\pm 4^\circ$ of level. No manual adjustments are required.

Maintenance

- To maintain the accuracy of your work, check the laser often to make sure it is properly calibrated. See *Field Calibration Check*.
- Calibration checks and other maintenance repairs may be performed by DeWALT service centers.
- When not in use, store the laser in the kit box provided. Do not store your laser at temperatures below -5°F (-20°C) or above 140°F (60°C).
- Do not store your laser in the kit box if the laser is wet. The laser should be dried first with a soft dry cloth prior to storage.

Cleaning

Exterior plastic parts may be cleaned with a damp cloth. Although these parts are solvent resistant, NEVER use solvents. Use a soft, dry cloth to remove moisture from the tool before storage.

Accuracy Check and Calibration

Checking Accuracy –

Horizontal Beam, Scan Direction (See figure ㉗)

Checking the horizontal scan calibration of the laser requires two walls 9m (30') apart. It is important to conduct a calibration check using a distance no shorter than the distance of the applications for which the tool will be used.

- Place the laser on a smooth, flat, stable surface that is level in both directions, with the laser facing straight ahead toward the opposing wall (0 degree position).
- Turn on the laser's horizontal beam and front vertical beam and mark the beam position on the opposing wall directly across from the laser ㉘. Always mark the center of the beam's thickness.
- Pivot the laser 180 degrees and mark the horizontal beam position on the opposing wall ㉙.
- Measure the vertical distance between ㉘ and ㉙. If the measurement is greater than the values shown below, the laser must be serviced at an authorized service center.

Distance Between Walls	Allowable Distance Between Marks
30' (9m)	1/8" (3.0mm)
40' (12m)	5/32" (4.0mm)
50' (15m)	7/32" (5.0mm)

- Rotate the laser 90 degrees and repeat the test.

Checking Accuracy –

Horizontal Beam, Pitch Direction (See figure ㉚)

Checking the horizontal pitch calibration of the laser requires a single wall at least 30' (9m) long. It is important to conduct a calibration check using a distance no shorter than the distance of the applications for which the tool will be used.

- Place the laser on a smooth, flat, stable surface that is level in both directions.
- Turn on the laser's horizontal beam and pivot the laser toward the opposite end of the wall and approximately parallel to the adjacent wall.
- Mark the center of the beam at two locations ㉛, ㉜ at least 30' (9m) apart.

4. Reposition the laser to the opposite end of the wall.
5. Turn on the laser's horizontal beam and pivot the laser back toward the first end of the wall and approximately parallel to the adjacent wall.
6. Adjust the height of the laser so that the center of the beam is aligned with the nearest mark **(d)**.
7. Mark the center of the beam **(c)** directly above or below the farthest mark **(e)**.
8. Measure the distance between these two marks **(c)**, **(e)**. If the measurement is greater than the values shown below, the laser must be serviced at an authorized service center.

Distance Between Walls	Allowable Distance Between Marks
30' (9m)	1/4" (6.0mm)
40' (12m)	5/16" (8.0mm)
50' (15m)	13/32" (10.0mm)

Checking Accuracy –

Vertical Beam (See Figure 9)

Checking the vertical (plumb) calibration of the laser can be most accurately done when there is a substantial amount of vertical height available, ideally 30' (9m), with one person on the floor positioning the laser and another person near a ceiling to mark the position of the beam. It is important to conduct a calibration check using a distance no shorter than the distance of the applications for which the tool will be used.

1. Place the laser on a smooth, flat, stable surface that is level in both directions. Turn on both vertical beams.
2. Mark two short lines where the beams cross **(a)**, **(b)** and also on the ceiling **(c)**, **(d)**. Always mark the center of the beams' thickness.
3. Pick up and rotate the laser 180 degrees, and position it so the beams line up with the marked lines on the level surface **(a)**, **(f)**.
4. Mark two short lines where the beams cross on the ceiling **(g)**, **(h)**.
5. Measure the distance between each set of marked lines on the ceiling **(c)**, **(d)** and **(d)**, **(h)**. If the measurement is greater than the values shown below, the laser must be serviced at an authorized service center.

Ceiling Height	Allowable Distance Between Marks
8' (2.5m)	1/16" (1.5mm)
10' (3m)	3/32" (2.0mm)
14' (4m)	1/8" (2.5mm)
20' (6m)	5/32" (4m)
30' (9m)	1/4" (6m)

Checking 90° Accuracy Between Vertical Beams (DW089LR/G) (See Figure 10)

Checking 90° accuracy requires an open floor area at least 33' x 18' (10m x 5m). Refer to Figure 9 for the position of the laser at each step and for the location of the marks made at each step. Always mark the center of the beams' thickness.

1. Place the laser on a smooth, flat, stable surface that is level in both directions. Turn on the side vertical beam.
2. Mark the center of the beam at three locations **(A)**, **(B)**, **(C)** on the floor along the side laser line. Mark **(B)** should be at the midpoint of the laser line.
3. Move the laser to mark **(B)** and turn on both vertical beams.
4. Position the beam crossing precisely at mark **(B)**, with the side beam aligned with mark **(C)**.
5. Mark a location **(D)** along the front vertical beam at least 5m (18') away from the unit.
6. Rotate the laser cross over mark **(B)** so that the side vertical beam now passes through mark **(B)**, **(D)**.
7. Mark the location **(E)** where the side vertical beam passes by mark **(D)**.
8. Measure the distance between marks **(A)** and **(E)**. If the measurement is greater than the values shown below, the laser must be serviced at an authorized service center.

Distance from A to B	Allowable Distance Between (A) and (E)
10' (3m)	1/8" (3.2mm)
14' (4m)	5/32" (3.5mm)
17' (5m)	3/16" (4.5mm)
20' (6m)	7/32" (5.5mm)
23' (7m)	1/4" (6mm)

EN Troubleshooting

The Laser Does Not Turn On

- Make sure AA batteries (when used) are installed correctly according to (+) and (-) on the inside of the battery door.
- Make sure the batteries or rechargeable pack are in proper working condition. If in doubt, try installing new batteries.
- Make sure that the battery contacts are clean and free of rust or corrosion. Be sure to keep the laser level dry and use only new, high-quality, name brand batteries to reduce the chance of battery leakage.
- If the laser unit is heated above 120°F (50°C), the unit will not turn on. If the laser has been stored in extremely hot temperatures, allow it to cool. The laser level will not be damaged by pressing the on/off button before cooling to its proper operating temperature.

The Laser Beams Flash

The lasers are designed to self-level up to an average of 4° in all directions. If the laser is tilted so much that the internal mechanism cannot level itself, the laser beams will flash indicating that the tilt range has been exceeded. THE FLASHING BEAMS CREATED BY THE LASER ARE NOT LEVEL OR PLUMB AND SHOULD NOT BE USED FOR DETERMINING OR MARKING LEVEL OR PLUMB. Try repositioning the laser on a more level surface.

The Laser Beams Will Not Stop Moving

The laser is a precision instrument. Therefore, if it is not positioned on a stable (and motionless) surface, the laser will continue to try to find level. If the beam will not stop moving, try placing the laser on a more stable surface. Also, try to make sure that the surface is relatively flat, so that the laser is stable.

The Battery Meter LEDs Flash

When all 4 LEDs continuously flash on the Battery Meter this indicates that the unit has not been fully powered off using the Pendulum Lock switch (Ⓔ). The Pendulum Lock switch should always be placed in the LOCKED/OFF position when the laser is not in use.

Accessories



WARNING:

Since accessories, other than those offered by DeWalt, have not been tested with this product, use of such accessories with this tool could be hazardous. To reduce the risk of injury, only DeWalt recommended accessories should be used with this product.

Using the Laser with Accessories

(See Figure ②), inset)

The laser is equipped with both 1/4 - 20 and 5/8 - 11 female threads (I) on the bottom of the unit. This thread is to accommodate current or future DeWALT accessories. Only use DeWALT accessories specified for use with this product. Follow the directions included with the accessory.

Service and Repairs

- **Note:** *Disassembling the laser level(s) will void all warranties on the product.*

To assure product SAFETY and RELIABILITY, repairs, maintenance and adjustment should be performed by authorized service centers. Service or maintenance performed by unqualified personnel may result in a risk of injury. To locate your nearest DeWALT service center call 1-800-4-DeWALT (1-800-433-9258) or go to www.2helpU.com on the Internet.

Three Year Limited Warranty

DeWalt will repair, without charge, any defects due to faulty materials or workmanship for three years from the date of purchase. This warranty does not cover part failure due to normal wear or tool abuse. For further detail of warranty coverage and warranty repair information, visit www.dewalt.com or call 1-800-4-DeWALT (1-800-433-9258). This warranty does not apply to accessories or damage caused where repairs have been made or attempted by others. This warranty gives you specific legal rights and you may have other rights which vary in certain states or provinces.

In addition to the warranty, DeWALT tools are covered by our:

1 Year Free Service

DeWalt will maintain the tool and replace worn parts caused by normal use, at no cost, any time during the first year after purchase.

90 DAY money back GUARANTEE

If you are not completely satisfied with the performance of your DeWalt Laser for any reason, you can return it within 90 days from the date of purchase with a receipt for a full refund – no questions asked.

Reconditioned Product:

Reconditioned product is covered under the 1 Year Free Service Warranty. The 90 Day Money Back Guarantee and the Three Year Limited Warranty do not apply to reconditioned product.

Free Warning Label Replacement:

If your warning labels become illegible or are missing, call 1-800-4-DeWALT or visit your local service center for a free replacement.

Light Source	Laser diodes	
Laser Wavelength	620–690nm visible (RED)	510–530nm visible (GREEN)
Laser Power	≤1.50mW (each beam) CLASS 2 LASER PRODUCT	
Working Range	20m (±65') RED	35m (±115') GREEN
	50m with detector	50m with detector
Accuracy (Plumb)	±1/8" per 33' (±3mm per 10m)	
Accuracy (Level):	±1/8" per 33' (±3mm per 10m)	
Indicators		
Battery Low	1 x LED Flashing on Battery meter	
Unit Not Powered Off With Pendulum Lock Switch	4 x LED Flashing on Battery meter	
Flashing Laser Beams	Tilt range exceeded/unit is not level	
Power Source	4 AA (1.5V) size batteries (6V DC) or 12V Dewalt Battery Pack	
Operating Temperature	14°F to 122°F (-10°C to 50°C)	
Storage Temperature	-5°F to 140°F (-20°C to 60°C)	
Humidity	Maximum relative humidity 80% for temperatures up to 88°F (31°C) decreasing linearly to 50% relative humidity at 104°F (40°C)	
Environmental	Water & Dust Resistant to IP65	

Contenido

ES

- Seguridad
- Descripción del producto
- Baterías y energía
- Funcionamiento
- Comprobación de precisión y calibración
- Especificaciones

Seguridad del usuario

Definiciones: Lineamientos de seguridad

Las siguientes definiciones describen el nivel de gravedad de cada advertencia. Lea el manual y preste atención a estos símbolos.

PELIGRO: Indica una situación inminentemente peligrosa que, si no se evita, resultará en la muerte o lesiones serias.

ADVERTENCIA: Indica una situación potencialmente peligrosa que, si no se evita, podría resultar en la muerte o lesiones graves.

ATENCIÓN: Indica una situación potencialmente peligrosa que, si no se evita, puede resultar en lesiones menores o moderadas.

AVISO: Indica una práctica no relacionada con lesiones personales que, si no se evita, puede resultar en daños a los bienes.



Si tiene alguna pregunta o comentario sobre esta u otra herramienta de Dewalt, llame al 1-800-4-DeWALT (1-800-433-9258) o visite www.2helpU.com en Internet.



ADVERTENCIA:

Lea y comprenda todas las instrucciones.

El incumplimiento de las advertencias e instrucciones puede provocar descargas eléctricas, incendios o lesiones graves.



GUARDE ESTAS INSTRUCCIONES

ADVERTENCIA:

Exposición a radiación láser. No desensamble ni modifique el nivel láser. Este aparato no incluye piezas internas que puedan ser reparadas por el usuario. Podrían producirse lesiones graves a la visión.



ADVERTENCIA:

Radiación peligrosa. El uso de controles, ajustes o ejecución de los procedimientos, distintos a los indicados en la presente podrán provocar una exposición peligrosa a la radiación.

La etiqueta de su herramienta puede incluir los siguientes símbolos.

V..... voltios

mW..... milivatios



..... símbolo de advertencia del láser

nm..... longitud de onda en nanómetros

2..... Producto láser de Clase 2

Etiquetas de advertencia

Para su comodidad y seguridad, se incluyen las etiquetas siguientes en su láser.



ADVERTENCIA: Para reducir el riesgo de lesiones, el usuario debe leer el manual de instrucciones.



ADVERTENCIA: RADIACIÓN LÁSER. NO MIRE FUJO EL RAYO. Producto láser Clase 2



- **No haga funcionar el láser en atmósferas explosivas, como ambientes donde haya polvo, gases o líquidos inflamables.** Las herramientas eléctricas generan chispas que pueden combustionar el polvo o generar un incendio.
- **Use el láser solamente con las baterías específicamente designadas.** El uso de cualquier otra batería puede generar un riesgo de incendio.
- **Almacene el láser apagado fuera del alcance de los niños y demás personas no capacitadas.** El láser puede ser peligroso en las manos de usuarios no capacitados.
- **No use la herramienta si el interruptor no la enciende o apaga.** Las herramientas que no puedan ser controladas con el interruptor constituyen un peligro y deben repararse.

- **No utilice herramientas ópticas, tales como un telescopio o un teodolito, para ver el rayo láser.** Podrían producirse lesiones graves a la visión.
- **No coloque el láser en una posición que pueda causar que una persona mire fijamente el rayo láser de forma intencional o accidental.** Podrían producirse lesiones graves a la visión.
- **No coloque el láser cerca de una superficie reflectiva que pueda reflejar el rayo láser hacia los ojos de una persona.** Podrían producirse lesiones graves a la visión.
- **Apague el láser cuando no está en uso.** Al dejar el láser encendido aumenta el riesgo de mirar fijamente hacia el rayo láser.
- **No modifique el láser de ninguna forma.** Modificar la herramienta puede resultar en exposición peligrosa a la radiación láser.
- **No opere el láser cerca de niños ni permita que estos lo usen.** Pueden producirse lesiones oculares graves.
- **No extraiga ni deteriore las etiquetas de advertencia.** Si las etiquetas se retiran, el usuario u otras personas pueden quedar accidentalmente expuestos a la radiación.
- **Coloque el láser en una superficie estable de forma segura.** Podría producirse daño al láser o lesiones graves si el láser se cae.

Información sobre el láser

- El láser de línea de 360° de 3 rayos DW089LR, DW089LG y el láser de línea de 360° de 2 rayos DW0811LR, DW0811LG es un producto láser de Clase 2. Los láseres son herramientas láser de autonivelación que pueden usarse para proyectos de alineación horizontal (nivel) y vertical (plomada).

Cumple con el Título 21 del CFR, Partes 1040.10 y 1040.11, con excepción de las desviaciones en virtud del Aviso sobre Láser N.º 50, de fecha 24 de junio de 2007.

Cumple con UL STDS 61010-1
Con certificación CSA STD C22.2 No. 61010-1



ADVERTENCIA:

Lea y comprenda todas las instrucciones. Si no sigue todas las instrucciones siguientes, podrían provocarse descargas eléctricas, iniciarse un incendio y/o causarse lesiones graves.

Área de trabajo

- Mantenga su área de trabajo limpia y bien iluminada. Los bancos desordenados y las áreas oscuras propician accidentes.
- No opere las herramientas láser en atmósferas explosivas, como ambientes donde haya polvo, gases o líquidos inflamables.
- Mantenga alejados a los niños y a los espectadores de la herramienta láser en funcionamiento. Una distracción puede hacerle perder el control.

Seguridad eléctrica

- **Use la herramienta accionada por batería solo con las baterías específicamente designadas.** El uso de cualquier otra batería puede generar un riesgo de incendio.

Descripción del producto



ADVERTENCIA:

Nunca modifique la herramienta ni ninguna pieza de ella.
Podría producirse daño al láser o lesiones personales.

Figura 2: Interfaz de la batería ^(A)

Figura 1A: Bloqueo del péndulo ^(B)

Figura 1B: Teclado ^(C)

Figura 1B: Botón de ENCENDIDO/APAGADO: línea láser horizontal ^(D)

Figura 1B: Botón de ENCENDIDO/APAGADO: línea láser lateral ^(E)

Figura 1B: Botón de ENCENDIDO/APAGADO: línea láser vertical delantera (solo DCE089R/G) ^(F)

Figura 2: Soporte de pivote magnético ^(G)

Figura 4: Accesorio roscado para el trípode (1/4 - 20 y 5/8-11) ^(L)

Figura 1B: Indicador de nivel de la batería ^(J)

Figura 5: Abrazadera de montaje para techo ^(K)

Figura 5: Montaje para techo ^(L)

Figura 5: Orificio del tornillo ^(M)

Baterías y energía

- Esta herramienta es alimentada con los siguientes paquetes de baterías de 12 V de DeWALT: DCB120, DCB127 o también puede alimentarse con el paquete inicial AA de DEWALT que puede alojar 4 baterías AA. Nota: El paquete inicial AA se recomienda solo para usar con el láser rojo.

Instalación/extracción de la batería

Uso del paquete inicial AA:



ATENCIÓN:

El paquete inicial AA está diseñado específicamente para usar solo con productos láser compatibles de 12 V DeWALT y no puede usarse con otras herramientas. No intente modificar el producto.

Para instalar las baterías:

- Levante la cubierta del compartimento de baterías como se muestra en la Figura 64A.
- Inserte cuatro baterías AA nuevas en el compartimento, colocando las baterías de acuerdo con (+) y (-) en el interior del compartimento.
- Instale el paquete inicial de baterías AA como se muestra en la Figura 64B.

Usando el paquete recargable de 12 V DEWALT:

- Instale el paquete de baterías de 12 V como se muestra en la Figura 64C.



ADVERTENCIA:

Las baterías pueden explotar o tener fugas y pueden causar lesiones o incendios. Para reducir este riesgo:

- Siga atentamente todas las instrucciones y advertencias en la etiqueta y el paquete de la batería y el folleto adjunto de seguridad de la batería.
- Siempre inserte las baterías correctamente con respecto a la polaridad (+ y -), según la marca en la batería y el equipo.
- No coloque los terminales de la batería en cortocircuito.
- No cargue las baterías desechables.
- No mezcle baterías viejas y nuevas. Reemplace todas las baterías al mismo tiempo por baterías nuevas de la misma marca y tipo.
- Quite las baterías muertas de inmediato y deseche de acuerdo con los códigos locales.
- No deseche las baterías en el fuego.
- Mantenga las baterías alejadas del alcance de los niños.
- Quite las baterías cuando no utiliza el dispositivo.
- Use solo el cargador especificado con su paquete de baterías recargables.

Seguridad personal

- Permanezca alerta, controle lo que está haciendo y utilice el sentido común cuando emplee una herramienta láser. No use la herramienta cuando esté cansado o bajo la influencia de drogas, alcohol o medicamentos. Un momento de descuido mientras se opera una herramienta eléctrica puede provocar lesiones personales graves.
- Utilice un equipo de protección personal. Utilice siempre protección ocular. Los equipos de protección, tales como una máscara antipolvo, zapatos de seguridad antideslizamiento, casco o protector auditivo que se utilicen en condiciones apropiadas disminuirán las lesiones físicas.

Servicio

- Las tareas de servicio deben ser realizadas solamente por personal calificado de reparación. El servicio o mantenimiento realizado por personal no calificado podría resultar en riesgo de lesiones.
- Al realizar tareas de servicio en una herramienta, utilice exclusivamente piezas de repuesto idénticas. Siga las instrucciones en la sección de Mantenimiento de este manual. El uso de piezas no autorizadas o la inobservancia de las instrucciones de Mantenimiento pueden crear el riesgo de descarga eléctrica o lesiones.

Para ubicar el centro de servicio DeWALT más cercano

llame al 1-800-4-DeWALT (1-800-433-9258) o visite <http://www.2helpU.com> en Internet.

Sugerencias de funcionamiento

- Use solo baterías AA nuevas de marca, de alta calidad o el paquete especificado recargable DEWALT de 12 V de iones de litio para obtener mejores resultados.
- Verifique que las baterías estén en buenas condiciones. Si la luz del indicador rojo de batería baja parpadea, debe reemplazar las baterías.
- Para extender la duración de las baterías, apague el láser cuando no trabaja o marca el rayo.
- Para asegurar la precisión de su trabajo, con frecuencia compruebe que su láser esté calibrado. Vea Comprobación de calibración en campo.
- Antes de intentar usar el láser, asegúrese de que esté colocado firmemente en una superficie suave y plana.
- Siempre marque el centro del rayo creado por el láser.
- Los cambios extremos de temperatura pueden causar el movimiento de partes internas que pueden afectar la precisión. Compruebe la precisión con frecuencia al trabajar. Vea Comprobación de calibración en campo.

- Si el láser se ha caído, compruebe que aún esté calibrado. Vea Comprobación de calibración en campo.
- Coloque el láser sobre una superficie estable, lisa y nivelada en ambas direcciones.

Indicación de batería baja

Los láseres DW089LR, DW089LG, DW0811LR y DW0811LG están equipados con un indicador de batería como se muestra en la Figura 1B. El indicador de batería señala la potencia restante, donde cada LED representa el 25 %. El LED inferior se encenderá y parpadeará, indicando que el nivel es bajo (menos de 12.5 %) y que deben reemplazarse las baterías. El láser puede continuar operando por un tiempo breve hasta que las baterías se agoten por completo, pero el rayo se apagará rápidamente. Una vez que se colocan baterías nuevas y el láser se enciende nuevamente, el rayo láser volverá a su brillo completo y el nivel indicador de batería señalará la capacidad completa. (Un rayo láser parpadeante no es causado por baterías bajas; vea **Indicador fuera del rango de inclinación**). Si los 4 LED en el LED del medidor de batería parpadean continuamente, esto no indica una batería baja; vea "Los LED del medidor de la batería parpadean" en **Resolución de problemas**.

Funcionamiento

Para encender y apagar el láser

(Vea la Figura 1)

Con el láser apagado, colóquelo en una superficie plana nivel. Deslice el interruptor de bloqueo de péndulo **(D)** a la posición de Desbloqueo/ENCENDIDO. El modelo DCE089G/R tiene tres botones de ENCENDIDO/APAGADO en el teclado **(C)** uno para una línea láser horizontal **(H)**, uno para una línea láser vertical **(V)** y uno para una línea láser vertical delantera **(F)** (solo DCE089G/R). El DCE0811G/R tiene dos líneas: una línea horizontal y una línea vertical lateral. Cada línea láser se enciende presionando el botón de ENCENDIDO/APAGADO en el teclado. Las líneas láser pueden encenderse una a la vez o todas al mismo tiempo. Al presionar las teclas de ENCENDIDO/APAGADO nuevamente se apagan las líneas láser. Deslice el interruptor de bloqueo del péndulo a la posición de APAGADO/Bloqueo cuando el láser no está en uso. Si el interruptor de bloqueo de péndulo no se coloca en la posición de bloqueo, los 4 LED parpadearán continuamente en el medidor de la batería.

Uso de los láseres

Indicador de RANGO fuera de NIVEL

Los láseres están diseñados para autonivelarse. Si el láser se inclina en exceso de forma tal que no pueda autonivelarse ($>4^\circ$), el rayo láser parpadeará. Hay dos secuencias de parpadeo asociadas con la condición fuera de nivel: (i) entre 4° y 10° , los rayos parpadean con un ciclo de parpadeo constante; (ii) en ángulos mayores de 10° , los rayos parpadean con un ciclo de tres destellos. Cuando los rayos parpadean, EL LÁSER NO ESTÁ A NIVEL (O PLOMADA) Y NO DEBE USARSE PARA DETERMINAR O MARCAR EL NIVEL O PLOMADA. Intente cambiar la posición del láser en una superficie más nivelada.

Uso del soporte de pivote (vea la figura 2)



ADVERTENCIA:

Coloque el láser y/o el montaje para pared en una superficie estable. Pueden producirse lesiones personales graves o daños al láser si el láser cae.

El láser posee un soporte de pivote magnético **(G)** conectado de forma permanente a la unidad. Este soporte permite que la unidad se monte en cualquier superficie vertical de acero o hierro. Ejemplos comunes de superficies adecuadas incluyen pernos para marcos de acero, marcos de puerta de acero y vigas estructurales de acero. El soporte también tiene una ranura para llave **(H)** que permite que la unidad se cuelgue de un clavo o tornillo en cualquier tipo de superficie.

Uso del láser con el montaje para TECHO (Vea la Figura 5)

El montaje para techo del láser **(L)** (si se incluye) ofrece más opciones de montaje para el láser. El montaje para techo tiene una abrazadera **(A)** en un extremo que puede fijarse a un ángulo de pared para la instalación de cielos rasos acústicos. En cada extremo del montaje para techo hay un orificio para tornillos **(M)** que permite que se coloque un montaje para techo a cualquier superficie con un clavo o tornillo.

Una vez que se ha fijado el montaje para techo, su placa de acero ofrece una superficie donde puede sujetarse el soporte de pivote magnético **(G)**. La posición del láser luego puede ajustarse deslizando el soporte de pivote magnético hacia arriba o abajo en el montaje de pared.

Uso del láser con accesorios

Los láseres están equipados con roscas hembra de 1/4" - 20 y 5/8" - 11 en la parte inferior de la unidad. Esta rosca se incluye para adaptarse a los accesorios actuales o futuros de DeWALT. Solo use accesorios DeWALT especificados para usar con este producto. Siga las instrucciones incluidas con el accesorio.



ATENCIÓN:

El uso de otros accesorios no recomendados para utilizar con esta herramienta puede resultar peligroso.

Si necesita asistencia para ubicar un accesorio, contacte a su centro de servicio DeWALT más cercano o visite www.2helpU.com en Internet.

Nivelación del láser

Mientras el láser está correctamente calibrado, tendrá la función de autonivelación. Cada láser está calibrado en fábrica para encontrar nivel cuando se coloca en una superficie plana dentro de un promedio de $\pm 4^\circ$ del nivel. No se requieren ajustes manuales.

Mantenimiento

- Para mantener la precisión de su trabajo, con frecuencia compruebe que su láser esté debidamente calibrado. Vea *Comprobación de calibración en campo*.
- Las comprobaciones de calibración y otras reparaciones de mantenimiento deben ser realizadas en los centros de servicios DeWALT.
- Cuando no se utiliza, almacene el láser en la caja del kit provista. No almacene su láser a temperaturas inferiores a -5°F (-20°C) ni superiores a 140°F (60°C).
- No almacene su láser en la caja del kit si está mojado. El láser debe secarse primero con un paño seco y suave antes del almacenamiento.

Limpieza

Las partes externas de plástico deben limpiarse con un paño húmedo. Aunque estas partes son resistentes a los solventes, NUNCA use solventes. Use un paño suave y seco para quitar la humedad de la herramienta antes del almacenamiento.

Comprobación de precisión y calibración

Comprobación de la precisión:

Rayo horizontal, dirección de exploración (Vea la figura ①)

La comprobación de la calibración de exploración horizontal del láser requiere dos paredes con una separación de 9 m (30'). Es importante realizar una comprobación de calibración usando una distancia no menor a la distancia de las aplicaciones para las que se usará la herramienta.

1. Coloque el láser sobre una superficie estable, lisa y nivelada en ambas direcciones, con el láser mirando derecho hacia la pared opuesta (posición de 0 grados).
2. Encienda el rayo horizontal del láser y el rayo vertical delantero y marque la posición del rayo en la pared opuesta directamente frente al láser (a). Siempre marque el centro del espesor del rayo.
3. Gire el láser 180 grados y marque la posición horizontal del rayo en la pared opuesta (b).
4. Mida la distancia vertical entre (a) y (b). Si la medición es mayor a los valores que se indican a continuación, el láser debe ser reparado en un centro de servicio autorizado.

Distancia entre las paredes	Distancia permitida entre las marcas
30' (9 m)	1/8" (3.0 mm)
40' (12 m)	5/32" (4.0 mm)
50' (15 m)	7/32" (5.0 mm)

5. Rote el láser 90 grados y repita la prueba.

Comprobación de la precisión:

Rayo horizontal, dirección de inclinación (Vea la figura ②)

La comprobación de la calibración de inclinación horizontal del láser requiere una pared única de al menos 9 m (30') de largo. Es importante realizar una comprobación de calibración usando una distancia no menor a la distancia de las aplicaciones para las que se usará la herramienta.

1. Coloque el láser sobre una superficie estable, lisa y nivelada en ambas direcciones.
2. Encienda el rayo horizontal del láser y gire el láser hacia el extremo opuesto de la pared y aproximadamente paralelo a la pared adyacente.
3. Marque el centro del rayo en dos ubicaciones (c), (d) al menos a 9 m (30') de distancia.
4. Vuelva a colocar el láser en el extremo opuesto de la pared.

- Encienda el rayo horizontal del láser y gire el láser hacia atrás hacia el primer extremo de la pared y aproximadamente paralelo a la pared adyacente.
- Ajuste la altura del láser de forma tal que el centro del rayo esté alineado con la marca más cercana **(d)**.
- Marque el centro del rayo **(c)** directamente arriba o debajo de la marca más lejana **(e)**.
- Mida la distancia entre estas dos marcas **(c)** **(e)**. Si la medición es mayor a los valores que se indican a continuación, el láser debe ser reparado en un centro de servicio autorizado.

Distancia entre las paredes	Distancia permitida entre las marcas
30' (9 m)	1/4" (6.0 mm)
40' (12 m)	5/16" (8.0 mm)
50' (15 m)	13/32" (10.0 mm)

Comprobación de la precisión:

Rayo vertical (Vea la Figura 9)

La comprobación de la calibración vertical (plomada) del láser puede realizarse con mayor precisión cuando hay una cantidad sustancial de altura vertical disponible, idealmente 9 m (30'), con una persona en el piso colocando el láser y otra persona cerca del cielo raso para marcar la posición del rayo. Es importante realizar una comprobación de calibración usando una distancia no menor a la distancia de las aplicaciones para las que se usará la herramienta.

- Coloque el láser sobre una superficie estable, lisa y nivelada en ambas direcciones y encienda los dos rayos verticales.
- Marque dos líneas cortas donde los rayos se crucen **(a)**, **(b)** y también en el techo **(c)**, **(d)**. Siempre marque el centro del espesor del rayo.
- Recoger y gire el láser 180 grados y posición para que las vigas se alineen con las líneas marcadas sobre la superficie nivelada **(e)**, **(f)**.
- Marque dos líneas cortas donde los rayos se cruzan en el cielo raso **(g)**, **(h)**.
- Mida la distancia entre cada conjunto de líneas marcadas en el techo **(c)**, **(g)** y **(d)**, **(h)**. Si la medición es mayor a los valores que se indican a continuación, el láser debe ser reparado en un centro de servicio autorizado.

Altura del techo	Distancia permitida entre las marcas
8' (2.5 m)	1/16" (1.5 mm)
10' (3 m)	3/32" (2.0 mm)
14' (4 m)	1/8" (2.5 mm)
20' (6 m)	5/32" (4 mm)
30' (9 m)	1/4" (6 mm)

Comprobación de la exactitud de 90° entre los rayos verticales (DW089LR/G) (Vea la Figura 10)

La comprobación de la precisión de 90° requiere un área de piso abierto de al menos 33' x 18' (10 m x 5 m). Consulte la Figura 9 para ver la posición del láser en cada paso y la ubicación de las marcas realizadas en cada paso. Siempre marque el centro del espesor del rayo.

- Coloque el láser sobre una superficie estable, lisa y nivelada en ambas direcciones y encienda el rayo vertical lateral.
- Marque el centro del rayo en las tres ubicaciones **(A)**, **(B)**, **(C)** en el piso a lo largo de la línea láser lateral. La marca **(B)** debe estar en el punto intermedio de la línea láser.
- Mueva el láser a la marca **(B)** y encienda los dos rayos verticales.
- Coloque el cruce de los rayos exactamente en la marca **(B)**, con el rayo lateral alineado con la marca **(C)**.
- Marque una ubicación **(D)** a lo largo del rayo vertical delantero al menos a 5 m (18') de distancia de la unidad.
- Gire el cruce del láser sobre la marca **(B)** para que el rayo vertical lateral ahora pase por la marca **(B)**, **(D)**.
- Marque la ubicación **(E)** donde el rayo vertical lateral pasa por la marca **(D)**.
- Mida la distancia entre las marcas **(A)** y **(E)**. Si la medición es mayor a los valores que se indican a continuación, el láser debe ser reparado en un centro de servicio autorizado.

Distancia de A a B	Distancia permitida entre (A) y (E)
10' (3 m)	1/8" (3.2 mm)
14' (4 m)	5/32" (3.5 mm)
17' (5 m)	3/16" (4.5 mm)
20' (6 m)	7/32" (5.5 mm)
23' (7 m)	1/4" (6 mm)

Resolución de problemas

El láser no se enciende

- *Asegúrese de que se hayan instalado correctamente las baterías AA (cuando se utilizan), de acuerdo con las marcas (+) y (-) en el interior de la puerta del compartimiento de baterías.*
- *Asegúrese de que las baterías o el paquete recargable estén en condiciones apropiadas de funcionamiento. En caso de duda, pruebe instalar nuevas baterías.*
- *Asegúrese de que los contactos de la batería estén limpios y libres de óxido o corrosión. Asegúrese de mantener el nivel láser seco y use solo baterías nuevas de marca de alta calidad para reducir la probabilidad de fugas de la batería.*
- *Si la unidad láser se calienta por encima de 120 °F (50 °C), la unidad no se encenderá. Si el láser se ha almacenado en temperaturas extremadamente calurosas, déjelo enfriar. El nivel láser no se dañará al presionar el botón de encendido/apagado antes de enfriarse a su temperatura correcta de funcionamiento.*

Los rayos láser parpadean

Los láseres están diseñados para autonivelarse a un promedio de 4° en todas las direcciones. Si el láser se inclina tanto que el mecanismo interno no puede nivelarse, el rayo láser parpadeará indicando que se ha excedido el rango de inclinación. EL RAYO PARPADEANTE CREADO POR EL LÁSER NO ESTÁ A NIVEL O NO PUEDE ESTABLECER LA PLOMADA Y NO DEBE USARSE PARA DETERMINAR O MARCAR EL NIVEL O PLOMADA. Intente cambiar la posición del láser en una superficie más nivelada.

El rayo láser no deja de moverse

El láser es un instrumento de precisión. En consecuencia, si no se coloca en una superficie estable (y estática), el láser continuará intentando encontrar un nivel. Si el rayo no deja de moverse, intente colocar el láser en una superficie más estable. Asimismo, intente asegurarse de que la superficie esté relativamente plana, para que el láser esté estable.

Los LED del medidor de batería parpadean

Cuando los 4 LED parpadean continuamente en el medidor de batería, esto indica que la unidad no ha sido apagada por completo usando el interruptor de bloqueo de péndulo (P). El interruptor de bloqueo de péndulo siempre debe colocarse en la posición de BLOQUEADO/ APAGADO cuando el láser no se utiliza.

Accesorios



ADVERTENCIA:

Como los accesorios, fuera de los ofrecidos por DeWalt, no han sido probados con este producto, el uso de tales accesorios con esta herramienta podría ser peligroso. Para reducir el riesgo de lesiones, solo debe usar accesorios recomendados por DeWalt con este producto.

Uso del láser con accesorios (Vea la Figura 2, fotografía incluida)

El láser está equipado con roscas hembra (I) de 1/4" - 20 y 5/8" - 11 en la parte inferior de la unidad. Esta rosca se incluye para adaptarse a los accesorios actuales o futuros de DeWALT. Solo use accesorios DeWALT especificados para usar con este producto. Siga las instrucciones incluidas con el accesorio.

Servicio y reparaciones

- **Nota:** *Desensamblar el(los) nivel(es) del láser anulará las garantías del producto.*

Para garantizar la SEGURIDAD y CONFIABILIDAD del producto, las reparaciones, mantenimiento y ajustes deben ser realizados por centros de servicio autorizados. El servicio o mantenimiento realizado por personal no calificado podría resultar en riesgo de lesiones. Para ubicar el centro de servicio DeWALT más cercano llame al 1-800-4-DeWALT (1-800-433-9258) o visite www.2helpU.com en Internet.

Garantía limitada por tres años

DeWalt reparará, sin cargo, cualquier falla que surja de defectos en el material o la fabricación del producto, por hasta tres años a contar de la fecha de compra. Esta garantía no cubre fallas de las piezas causadas por su desgaste normal o abuso a la herramienta. Para obtener más información sobre la cobertura de la garantía y la información de reparación de la garantía, visite www.dewalt.com o llame al 1-800-4-DeWALT (1-800-433-9258). Esta garantía no aplica a accesorios o a daños causados por reparaciones realizadas o intentadas por terceros. Esta garantía le otorga derechos legales específicos, además de los cuales puede tener otros dependiendo del estado o la provincia en que se encuentre.

Además de la garantía, las herramientas de DeWALT están cubiertas por nuestro:

1 año de servicio gratuito

DeWalt mantendrá la herramienta y reemplazará las piezas desgastadas por el uso normal sin costo y en cualquier momento durante el primer año después de la compra.

GARANTÍA DE REEMBOLSO DE SU DINERO DE 90 DÍAS

Si no está completamente satisfecho con el desempeño de su láser DeWalt, cualquiera sea el motivo, podrá devolverlo hasta 90 días de la fecha de compra con su recibo y obtener el reembolso completo de su dinero –sin necesidad de responder a ninguna pregunta.

Producto reacondicionado:

El producto reacondicionado está cubierto por la garantía de servicio gratuito de 1 año. La garantía de devolución del dinero de 90 días y la garantía limitada de tres años no se aplican a los productos reacondicionados.

Reemplazo gratuito de las etiquetas de advertencia:

Si sus etiquetas de advertencia son ilegibles o faltan, llame al 1-800-4-DeWALT o visite a su centro de servicio local para que se las reemplacen gratuitamente.

Especificaciones

ES

Fuente de luz	Diodos láser	
Longitud de onda del láser	620–690 nm visible (ROJO)	510–530 nm visible (VERDE)
Potencia del láser	≤1.50 mW (cada rayo) PRODUCTO LÁSER CLASE 2	
Rango de trabajo	20 m (±65°) ROJO	35 m (±115°) VERDE
	50 m con detector	50 m con detector
Precisión (plomada)	± 1/8" por 33' (±3 mm por 10 m)	
Precisión (nivel):	± 1/8" por 33' (±3 mm por 10 m)	
Indicadores		
Batería baja	1 x LED parpadeante en el medidor de la batería	
La unidad no se apaga con el interruptor de bloqueo de péndulo	4 x LED parpadeante en el medidor de la batería	
Rayos láser destellando	Rango de inclinación excedido/la unidad no está nivelada	
Fuente de alimentación	4 baterías tamaño AA (1.5 V) (6 VCC) o paquete de baterías de 12 V Dewalt.	
Temperatura de funcionamiento	14 °F a 122 °F (-10 °C a 50 °C)	
Temperatura de almacenamiento	-5 °F a 140 °F (-20 °C a 60 °C)	
Humedad	Humedad relativa máxima de 80 % para temperaturas de hasta 88 °F (31 °C) con una reducción lineal hasta una humedad relativa de 50 % a 104 °F (40 °C)	
Ambiental	Resistente al agua y el polvo según IP65	

Contenu

- Sécurité
- Aperçu du produit
- Piles et alimentation
- Fonctionnement
- Vérification de la précision et étalonnage
- Caractéristiques techniques

FR

Sécurité des utilisateurs

Définitions : Règles de sécurité

Les définitions ci-dessous décrivent le niveau de danger pour chaque mot indicateur employé. Lire le mode d'emploi et porter une attention particulière à ces symboles.

DANGER : Indique une situation dangereuse imminente qui, si elle n'est pas évitée, occasionnera des blessures graves ou mortelles.

AVERTISSEMENT : Indique une situation potentiellement dangereuse qui, si elle n'est pas évitée, pourra occasionner des blessures graves ou mortelles.

MISE EN GARDE : Indique une situation potentiellement dangereuse qui, si elle n'est pas évitée, pourra occasionner des blessures mineures ou modérées.

AVIS : Indique une pratique ne posant aucun risque de dommages corporels mais qui, par contre, si rien n'est fait pour l'éviter, pourrait entraîner des dommages matériels.

Pour toute question ou tout commentaire au sujet de ce produit ou d'un autre outil dewalt, appeler au 1-800-4-DeWALT (1-800-433-9258) ou aller sur le site Web : www.2helpU.com.

AVERTISSEMENT :
Lire et assimiler toutes les directives. Le non-respect des avertissements et des directives peut entraîner un choc électrique, un incendie ou une blessure grave.

CONSERVER CES DIRECTIVES

AVERTISSEMENT :
Exposition au rayonnement laser. Ne pas démonter ou modifier le laser. Aucune pièce à l'intérieur ne peut être réparée par l'utilisateur. Risque de lésions oculaires graves.



AVERTISSEMENT :

Rayonnement dangereux. L'utilisation de commandes ou de réglages non prévus ou encore l'exécution de procédures autres que celles indiquées ici peuvent entraîner une exposition dangereuse aux rayonnements.

L'étiquette apposée sur l'outil pourrait comprendre les symboles suivants.

V.....volts

mW.....milliwatts



.....symbole de mise en garde du laser

nm.....longueur d'onde en nanomètres

2.....laser de classe 2

Étiquettes de mise en garde

Pour plus de commodité et de sécurité, les étiquettes suivantes sont apposées sur votre laser.

AVERTISSEMENT : Afin de réduire le risque de blessures, l'utilisateur doit lire le mode d'emploi.

AVERTISSEMENT : RAYONNEMENT LASER.
NE PAS REGARDER DIRECTEMENT LE FAISCEAU.
Produit laser de classe 2.



- **Ne pas faire fonctionner le laser dans un milieu déflagrant, comme en présence de liquides, de gaz ou de poussières inflammables.** Les outils électriques produisent des étincelles qui peuvent enflammer la poussière ou les vapeurs.
- **Utiliser le laser uniquement avec les piles spécifiquement conçues à cet effet.** L'utilisation de toute autre pile pourrait provoquer un incendie.
- **Ranger le laser inutilisé hors de la portée des enfants et des personnes sans expérience.** Les lasers sont dangereux entre les mains d'utilisateurs inexpérimentés.
- **Ne pas utiliser l'outil si l'interrupteur ne fonctionne pas.** Tout outil qui ne peut être commandé par l'interrupteur est dangereux et doit être réparé.

- **Ne pas utiliser d'instruments optiques comme un télescope ou un théodolite pour observer le faisceau laser.** Risque de lésions oculaires graves.
- **Ne pas mettre le laser dans une position où une personne pourrait fixer du regard le faisceau laser, intentionnellement ou non.** Risque de lésions oculaires graves.
- **Ne pas positionner le laser près d'une surface réfléchissante qui pourrait renvoyer le faisceau laser dans les yeux de quelqu'un.** Risque de lésions oculaires graves.
- **Éteindre le laser lorsqu'il n'est pas utilisé.** Laisser le laser allumé augmente le risque de fixation du regard le faisceau laser.
- **Ne modifier le laser en aucun cas.** Les modifications apportées à l'outil laser pourraient entraîner une exposition à des rayonnements laser dangereux.
- **Ne pas utiliser le laser près des enfants et ne pas laisser les enfants utiliser le laser.** Il pourrait en résulter des blessures oculaires graves.
- **Ne pas enlever ni altérer les étiquettes de mise en garde.** Si des étiquettes sont enlevées, l'utilisateur ou d'autres personnes pourraient être exposés à la radiation par mégarde.
- **Placer le laser sur une surface stable et plane.** Le laser risque d'être endommagé ou de causer des blessures graves en cas de chute.

Renseignements sur le laser

- Les lasers à ligne à 360° à trois faisceaux DW089LR et DW089LG et les lasers à ligne à 360° à deux faisceaux DW0811LR et DW0811LG sont des produits laser de classe 2. Il s'agit d'outils laser autonivelants pouvant être utilisés pour l'alignement horizontal (niveau) et vertical (aplomb).

Ce produit est conforme aux normes 21 CFR 1040.10 et 1040.11 à l'exception des cas divergents énumérés dans le document « Laser Notice 50 » du 24 juin 2007.

Conforme à la norme UL STDS 61010-1

Certifié conforme à la norme CSA STD C22.2 No. 61010-1

AVERTISSEMENT :

Lire et assimiler toutes les directives. Le non-respect des directives indiquées ci-dessous peut entraîner des risques de choc électrique, d'incendie ou de blessures corporelles graves.



Espace de travail

- Tenir l'espace de travail propre et bien éclairé. Les établis encombrés et les lieux sombres sont propices aux accidents.
- Ne pas faire fonctionner d'outils laser dans un milieu déflagrant, par exemple en présence de liquides, de gaz ou de poussières inflammables.
- Éloigner les enfants et les autres personnes au moment d'utiliser un outil laser. Une distraction pourrait vous en faire perdre la maîtrise.

Sécurité en matière d'électricité

- **N'utiliser l'outil qu'avec les piles spécifiquement conçues à cet effet.** L'utilisation de toute autre pile pourrait provoquer un incendie.

Aperçu du produit



AVERTISSEMENT :

Ne jamais modifier l'outil ou l'une de ses parties. Cela pourrait endommager le laser ou causer des blessures corporelles.

Figure 2 - Interface à piles ^(A)

Figure 1A - Verrou du pendule ^(B)

Figure 1B - Clavier ^(C)

Figure 1B - Bouton MARCHE/ARRÊT : ligne laser horizontale ^(D)

Figure 1B - Bouton MARCHE/ARRÊT : ligne laser latérale ^(E)

Figure 1B - Bouton MARCHE/ARRÊT : ligne laser verticale avant (DCE089R/G seulement) ^(F)

Figure 2 - Support pivotant magnétique ^(G)

Figure 4 - Raccord fileté du trépied (6,35 mm - 20 et 15,8 mm - 11 [1/4 - 20 et 5/8 - 11]) ^(I)

Figure 1B - Indicateur du niveau des piles ^(J)

Figure 5 - Pince pour montage au plafond ^(K)

Figure 5 - Support de montage au plafond ^(L)

Figure 5 - Trou de vis ^(M)

Piles et alimentation

FR

- Cet outil est alimenté par les blocs-piles 12 V DeWALT suivants : DCB120, DCB127. Il peut également être alimenté à l'aide du bloc de démarrage AA DEWALT, qui peut contenir 4 piles AA. Remarque : Le bloc de démarrage AA est recommandé uniquement avec le laser rouge.

Installation et retrait des piles

Utilisation du bloc de démarrage AA :



MISE EN GARDE :

Le bloc de démarrage AA est conçu pour être utilisé uniquement avec les produits laser compatibles 12 V DeWALT et il ne peut pas être utilisé avec d'autres outils. Ne pas essayer de modifier le produit.

Pour poser les piles :

- Soulever le couvercle du compartiment à piles, comme illustré à la figure 6A.
- Insérer quatre piles AA neuves dans le compartiment, en les positionnant selon le schéma (+) et (-) indiqué à l'intérieur du compartiment.
- Installer le bloc de démarrage AA comme indiqué à la figure 6B.

Utilisation du bloc rechargeable 12 V DEWALT :

- Installer le bloc-piles 12 V comme indiqué à la figure 6B.



AVERTISSEMENT :

Les piles peuvent exploser ou couler et causer des blessures ou un incendie. Pour réduire ce risque :

- Suivre attentivement l'ensemble des instructions et des avertissements indiqués sur l'étiquette, l'emballage et le guide de sécurité des piles.
- Veiller à toujours insérer les piles selon la polarité correcte (+ et -), comme indiqué sur les piles et le matériel.
- Ne pas créer de court-circuit dans les bornes des piles.
- Ne pas charger les piles jetables.
- Ne pas mélanger piles neuves et usagées. Les remplacer toutes en même temps par des piles neuves de la même marque et du même type.
- Retirer immédiatement les piles déchargées et les éliminer en fonction de la réglementation locale en vigueur.
- Ne pas jeter les piles dans les flammes.
- Garder les piles hors de la portée des enfants.
- Enlever les piles lorsque l'appareil n'est pas utilisé.
- N'utiliser que le chargeur conçu pour votre bloc-piles rechargeable.

Sécurité personnelle

- Rester vigilant, faire attention au travail en cours et faire preuve de jugement dans l'utilisation de tout outil laser. Ne pas utiliser d'outil en cas de fatigue ou sous l'emprise de drogues, d'alcool ou de médicaments. Un moment d'inattention, durant l'utilisation d'un outil électrique, peut se solder par des blessures graves.
- Utiliser des équipements de protection individuelle. Toujours porter une protection oculaire. Le port d'équipements de protection comme un masque anti-poussière, des chaussures antidérapantes, un casque de sécurité ou des protecteurs auditifs lorsque la situation le requiert réduira les risques de blessures corporelles.

Réparation

- Toute réparation de l'outil ne doit être effectuée que par des réparateurs professionnels. Toute réparation ou tout entretien réalisé par un personnel non qualifié peut entraîner des risques de blessures.
- Pour réparer un outil, n'utiliser que des pièces de rechange identiques. Suivre les directives figurant à la section « Entretien » du mode d'emploi. L'utilisation de pièces non autorisées ou le non-respect des directives d'entretien peuvent entraîner des risques de décharge électrique ou de blessure.

Pour trouver le centre de réparation DeWALT le plus près, composer le 1-800-4-DeWALT (1-800-433-9258) ou aller sur le site Web : <http://www.2helpu.com>.

Conseils d'utilisation

- Pour de meilleurs résultats, utiliser uniquement des piles AA neuves de marque connue et de qualité supérieure, ou le bloc-piles au lithium-ion de 12 V DEWALT rechargeable recommandé.
- Veiller à ce que les piles soient en bon état de fonctionnement. Les piles doivent être remplacées lorsque le voyant rouge clignote.
- Pour prolonger la durée de vie des piles, éteindre le laser si le faisceau n'est pas utilisé.
- Pour un travail précis, veiller à étalonner le laser fréquemment. Consulter la section Vérifier le calibrage sur le terrain.
- Avant d'utiliser le laser, s'assurer qu'il est correctement installé, sur une surface lisse et plate.
- Veiller à toujours marquer le centre du faisceau créé par le laser.
- Les changements extrêmes de température peuvent provoquer le déplacement de composants internes et compromettre la précision. Vérifier souvent l'exactitude durant le travail. Consulter la section Vérifier le calibrage sur le terrain.
- En cas de chute du laser, vérifier s'il est toujours étalonné. Consulter la section Vérifier le calibrage sur le terrain.
- Placer le niveau laser sur une surface lisse, plane, stable et nivelée dans les deux directions.

Voyant de pile faible

Les lasers DW089LR, DW089LG, DW0811LR et DW0811LG sont équipés d'un indicateur de niveau des piles, comme illustré à la figure 1B. Celui-ci indique la charge restante, chaque voyant DEL représentant 25 % de la charge totale. Le voyant DEL du bas s'illumine et clignote pour indiquer que la charge est faible (inférieure à 12,5 %) et que les piles doivent être remplacées. Le laser continuera à fonctionner quelque temps pendant que les piles se déchargent, mais les faisceaux faibliront rapidement. Après l'installation de nouvelles piles et la remise sous tension du laser, les faisceaux retrouveront leur pleine luminosité et l'indicateur de niveau des piles indiquera qu'elles sont pleinement chargées. (Le clignotement du faisceau n'est pas causé par des piles faibles; voir **Voyant d'erreur d'inclinaison**.) Si les 4 voyants DEL de l'indicateur de niveau des piles clignotent de manière continue, ce n'est pas un signe de piles faibles. Voir « Les voyants DEL de l'indicateur de niveau des piles clignotent » dans la section **Dépannage**.

Fonctionnement

Marche et arrêt des lasers

(Voir figure 7)

Placer le laser éteint sur une surface plane niveau. Faire glisser l'interrupteur de blocage du pendule (B) en position Débloqué/MARCHE. Le clavier du modèle DCE089G/R est doté de trois boutons MARCHE/ARRÊT (C), un pour une ligne laser horizontale (D), un pour une ligne laser verticale latérale (E) et un pour une ligne laser verticale avant (F) (DCE089G/R seulement). Le modèle DCE0811G/R propose deux lignes : une ligne horizontale et une ligne verticale latérale. Chaque ligne laser apparaît sur pression du bouton MARCHE/ARRÊT correspondant sur le clavier. Les lignes laser peuvent être activées une à la fois ou toutes en même temps. Pour les désactiver, appuyer à nouveau sur les touches MARCHE/ARRÊT. Faire glisser l'interrupteur de blocage du pendule en position ARRÊT/Bloqué lorsque le laser n'est pas utilisé. Si l'interrupteur de blocage du pendule n'est pas en position verrouillée, les 4 voyants DEL clignoteront de manière continue sur l'indicateur de niveau des piles.

Utilisation des lasers

Voyant d'erreur de NIVEAU

Les lasers sont conçus pour s'autoniveler. Si l'inclinaison du laser est telle qu'il ne peut pas s'autoniveler ($> 4^\circ$), le faisceau clignote. Deux séquences de clignotement sont associées à une erreur de niveau : (i) entre 4° et 10° , les faisceaux clignotent selon un cycle constant; (ii) à des angles de plus de 10° , les faisceaux clignotent selon un cycle de trois clignotements. Lorsque les faisceaux clignotent, LE LASER N'EST PAS DE NIVEAU (OU D'APLOMB) ET IL NE DOIT PAS ÊTRE UTILISÉ POUR DÉTERMINER OU MARQUER LE NIVEAU OU L'APLOMB. Essayer de repositionner le laser sur une surface plus à niveau.

Utilisation du support pivotant (voir figure 2)



AVERTISSEMENT :

Positionner le laser ou le support mural sur une surface stable. Une chute du laser pourrait causer des blessures graves ou endommager l'appareil.

Le laser est équipé d'un support pivotant magnétique (L) intégré à l'appareil. Ce support permet d'installer l'appareil sur n'importe quelle surface droite en acier ou en fer. Les surfaces utilisables sont, par exemple, des montants en acier, des cadres de porte en acier ou des poutres en acier profilé. Le support est aussi muni d'un œillet (H) permettant de suspendre l'appareil à un clou ou une vis sur n'importe quelle surface.

Utilisation du laser avec le support de montage au PLAFOND (voir figure 5)

Le support de montage du laser au plafond (L) (si inclus) offre plus d'options de montage pour le laser. Le support de montage au plafond est doté d'une pince (K) à une de ses extrémités. Celle-ci peut être fixée à l'angle d'un mur pour l'installation d'un plafond acoustique. Chaque extrémité du support de montage au plafond est dotée d'un trou de vis (M) permettant de fixer celui-ci à n'importe quelle surface à l'aide d'un clou ou d'une vis.

Une fois le support de montage au plafond bien fixé, sa plaque en acier offre une surface à laquelle le support pivotant magnétique (L) peut être fixé. La position du laser peut alors être ajustée en faisant glisser le support pivotant magnétique vers le haut ou vers le bas sur le support mural.

Utilisation des lasers avec accessoires

Les lasers sont équipés d'un filetage femelle de 6,35 mm (1/4 po) - 20 et 15,8 mm (5/8 po) - 11 sous l'appareil. Ce filetage sert à fixer des accessoires DeWALT existants ou futurs. Utiliser uniquement les accessoires DeWALT spécifiés pour ce produit. Suivre les instructions fournies avec l'accessoire.



MISE EN GARDE :

L'utilisation de tout autre accessoire non recommandé avec cet outil pourrait s'avérer dangereuse.

Pour obtenir de l'aide afin de trouver un accessoire, communiquer avec le centre de réparation DeWALT le plus près ou visiter le site Web : www.2helpU.com.

Mise au niveau des lasers

Si le laser est bien étalonné, il sera en mesure de s'autoniveler. Chaque laser est étalonné à l'usine pour trouver le niveau tant qu'il est posé sur une surface plane d'une inclinaison maximale de $\pm 4^\circ$. Aucun réglage manuel n'est requis.

Entretien

- Pour garantir l'exactitude du travail, vérifier souvent le laser pour s'assurer qu'il est bien calibré. Consulter la section Vérifier le calibrage sur le terrain.
- Les vérifications de calibrage, l'entretien et les réparations peuvent être effectués par les centres de réparation DeWALT.
- Après utilisation, ranger le laser dans la mallette fournie à cet effet. Ne pas ranger le laser à un endroit où la température est inférieure à -20°C (-5°F) ou supérieure à 60°C (140°F).
- Ne pas ranger le laser dans la boîte s'il est mouillé. Avant l'entreposage, le laser doit être asséché à l'aide d'un chiffon doux et sec.

Nettoyage

Les pièces extérieures en plastique peuvent être nettoyées avec un chiffon humecté. Bien que ces pièces soient résistantes aux solvants, ne JAMAIS utiliser de solvants. Utiliser un chiffon doux et sec pour éliminer l'humidité de l'outil avant de le ranger.

Vérification de la précision et étalonnage

Vérification de la précision –

Faisceau horizontal, direction du balayage (voir figure 7)

Pour vérifier l'étalonnage du balayage horizontal du laser, il faut deux murs séparés par une distance d'au moins 9 m (30 pi). Il est important de vérifier l'étalonnage sur une distance au moins équivalente à celle de l'installation pour laquelle le laser sera utilisé.

1. Placer le niveau laser sur une surface lisse, plane, stable et nivelée dans les deux directions, le laser pointant droit devant en direction du mur opposé (position à 0 degré).
2. Allumer le faisceau horizontal et le faisceau vertical avant du laser et marquer la position du faisceau sur le mur directement opposé au laser (A). Toujours marquer le centre du faisceau dans le sens de l'épaisseur.
3. Faire pivoter le laser de 180 degrés et marquer la position horizontale du faisceau sur le mur opposé (B).
4. Mesurer la distance verticale entre (A) et (B). Si la mesure est supérieure aux valeurs indiquées ci-dessous, le laser doit être réparé dans un centre de réparation autorisé.

Distance entre les murs	Distance autorisée entre les marques
9 m (30 pi)	3,0 mm (1/8 po)
12 m (40 pi)	4,0 mm (5/32 po)
15 m (50 pi)	5,0 mm (7/32 po)

5. Faites tourner le laser 90 degrés et recommencez le test.

Vérification de la précision –

Faisceau horizontal, direction de l'inclinaison (voir figure 8)

Pour vérifier l'étalonnage de l'inclinaison horizontale du laser, il faut un mur d'au moins 9 m (30 pi). Il est important de vérifier l'étalonnage sur une distance au moins équivalente à celle de l'installation pour laquelle le laser sera utilisé.

6. Placer le niveau laser sur une surface lisse, plane, stable et nivelée dans les deux directions.
7. Allumer le faisceau horizontal et faire pivoter le laser vers l'autre extrémité du mur, à peu près parallèlement au mur adjacent.
8. Marquer le centre du faisceau à deux endroits (C, D) distants d'au moins 9 m (30 pi).
9. Repositionner le laser à l'autre extrémité du mur.

- Allumer le faisceau horizontal et faire pivoter le laser vers la première extrémité du mur, à peu près parallèlement au mur adjacent.
- Régler la hauteur du laser de manière à ce que le centre du faisceau soit aligné sur la marque la plus proche (d).
- Marquer le centre du faisceau (e) directement au-dessus ou en dessous de la marque la plus éloignée (e).
- Mesurer la distance entre ces deux marques (e, e). Si la mesure est supérieure aux valeurs indiquées ci-dessous, le laser doit être réparé dans un centre de réparation autorisé.

Distance entre les murs	Distance autorisée entre les marques
9 m (30 pi)	6,0 mm (1/4 po)
12 m (40 pi)	8,0 mm (5/16 po)
15 m (50 pi)	10,0 mm (13/32 po)

Vérification de la précision –

Faisceau vertical (voir figure 9)

La vérification de l'étalement vertical (aplomb) du laser sera plus efficace si elle est effectuée sur une grande hauteur, idéalement de 9 m (30 pi), et qu'une personne au sol positionne le laser tandis qu'une autre marque la position du faisceau au plafond. Il est important de vérifier l'étalement sur une distance au moins équivalente à celle de l'installation pour laquelle le laser sera utilisé.

- Placer le niveau laser sur une surface lisse, plane, stable et nivelée dans les deux directions et allumer les deux faisceaux verticaux.
- Marquer deux lignes court où les faisceaux se croisent sur le plancher (a, b) et au plafond (c, d). Toujours marquer le centre du faisceau dans le sens de l'épaisseur.
- Ramasser et faire pivoter le laser de 180 degrés et Placez-la donc les poutres s'alignent sur les lignes tracées sur la surface plane (e, f).
- Marquer deux lignes court où les faisceaux se croisent au plafond (g, h).
- Mesurer la distance entre chaque ensemble de lignes tracées sur le plafond (c, g et d, h).
Si la mesure est supérieure aux valeurs indiquées ci-dessous, le laser doit être réparé dans un centre de réparation autorisé.

Hauteur du plafond	Distance autorisée entre les marques
2,5 m (8 pi)	1,5 mm (1/16 po)
3 m (10 pi)	2,0 mm (3/32 po)
4 m (14 pi)	2,5 mm (1/8 po)
6 m (20 pi)	4 mm (5/32 pi)
9 m (30 pi)	6 mm (1/4 pi)

FR

Vérification de la précision à 90° entre les deux faisceaux verticaux (DW089LR/G) (voir figure 10)

La vérification de la précision à 90° nécessite un espace de plancher ouvert d'au moins 10 m x 5 m (33 pi x 18 pi). Consulter la figure 9 pour connaître l'emplacement du laser à chaque étape et l'emplacement des marques inscrites à chaque étape. Toujours marquer le centre du faisceau dans le sens de l'épaisseur.

- Placer le niveau laser sur une surface lisse, plane, stable et nivelée dans les deux directions et allumer le faisceau vertical latéral.
- Marquer le centre du faisceau à trois endroits (A, B, C) sur le plancher le long de la ligne laser latérale. La marque B devrait être effectuée au milieu de la ligne laser.
- Déplacer le laser sur la marque B et allumer les deux faisceaux verticaux.
- Positionner le faisceau de manière à ce qu'il croise précisément la marque B, le faisceau latéral étant aligné avec la marque C.
- Marquer un emplacement D le long du faisceau vertical avant à une distance d'au moins 5 m (18 pi) de l'appareil.
- Faire pivoter le laser pour qu'il croise la marque B et que le faisceau vertical latéral traverse maintenant la marque B, D.
- Marquer l'emplacement E où le faisceau vertical latéral passe devant la marque D.
- Mesurer la distance entre les marques A et E. Si la mesure est supérieure aux valeurs indiquées ci-dessous, le laser doit être réparé dans un centre de réparation autorisé.

Distance de A à B	Distance autorisée entre (A) et (E)
3 m (10 pi)	3,2 mm (1/8 po)
4 m (14 pi)	3,5 mm (5/32 po)
5 m (17 pi)	4,5 mm (3/16 po)
6 m (20 pi)	5,5 mm (7/32 po)
7 m (23 pi)	6 mm (1/4 po)

Les voyants DEL de l'indicateur de niveau des piles clignotent

Lorsque les 4 voyants DEL de l'indicateur de niveau des piles clignotent de manière continue, cela indique que l'appareil n'a pas été complètement éteint à l'aide de l'interrupteur de blocage du pendule (E). L'interrupteur de blocage du pendule doit toujours être mis en position ARRÊT/BLOQUÉ lorsque le laser n'est pas utilisé.

Accessoires



AVERTISSEMENT :

Puisque les accessoires autres que ceux offerts par DeWalt n'ont pas été testés avec ce produit, l'utilisation de ceux-ci avec l'outil pourrait s'avérer dangereuse. Pour réduire le risque de blessures, utiliser exclusivement les accessoires DeWalt recommandés avec ce produit.

Utilisation du laser avec accessoires (Voir figure (2)), encart)

Le laser est équipé d'un filetage femelle de 6,35 mm (1/4 po) - 20 et 15,8 mm (5/8 po) - 11 (I) sous l'appareil. Ce filetage sert à fixer des accessoires DeWALT existants ou futurs. Utiliser uniquement les accessoires DeWALT spécifiés pour ce produit. Suivre les instructions fournies avec l'accessoire.

Entretien et réparations

- **Remarque :** Le démontage du ou des niveaux laser annulera toutes les garanties du produit.

Pour assurer la SÉCURITÉ et la FIABILITÉ du produit, les réparations, l'entretien et les réglages doivent être réalisés par un centre de réparation agréé. Toute réparation ou tout entretien réalisé par un personnel non formé peut causer un risque de blessures. Pour trouver le centre de réparation DeWALT le plus près, composer le 1-800-4-DeWALT (1-800-433-9258) ou visiter le site Web : www.2helpU.com.

Dépannage

Le laser ne s'allume pas

- S'assurer que les piles AA (s'il y a lieu) sont installées correctement selon les signes (+) et (-) à l'intérieur de la porte du compartiment.
- Vérifier que les piles ou le bloc-piles rechargeable sont en bon état de marche. Dans le doute, installer de nouvelles piles.
- Vérifier que les contacts des piles sont propres et exempts de rouille ou de corrosion. Veiller à ce que le niveau au laser reste au sec et n'utiliser que des piles neuves de qualité supérieure et de marque connue pour réduire les risques de fuite.
- L'appareil ne s'allumera pas s'il est chauffé à plus de 50 °C (120 °F). Si le laser a été entreposé à une forte chaleur, le laisser refroidir. Le niveau au laser ne sera pas endommagé si le bouton marche/arrêt est enfoncé avant qu'il ait refroidi jusqu'à sa bonne température de fonctionnement.

Les faisceaux laser clignotent

Les lasers sont conçus pour s'autoniveler jusqu'à une moyenne de 4° dans toutes les directions. Si l'inclinaison du laser est telle que le mécanisme interne ne peut se mettre de niveau par lui-même, les faisceaux laser clignoteront, ce qui indique un dépassement de la plage d'inclinaison. LES FAISCEAUX CLIGNOTANTS CRÉÉS ALORS PAR LE LASER NE SONT PLUS AU NIVEAU OU D'APLOMB ET NE DOIVENT PAS ÊTRE UTILISÉS POUR DÉTERMINER OU MARQUER LE NIVEAU OU L'APLOMB. Essayer de repositionner le laser sur une surface plus à niveau.

Les faisceaux laser bougent sans cesse

Le laser est un instrument de précision. Aussi, s'il n'est pas placé sur une surface stable (et immobile), il continuera à chercher le niveau. Si le faisceau n'arrête pas de bouger, essayer de placer le laser sur une surface plus stable. Essayer également de faire en sorte que la surface soit relativement plane, afin que le laser soit stable.

Garantie limitée de trois ans

DeWALT effectuera gratuitement toutes les réparations liées à des défauts de matériau ou de fabrication pendant trois ans à compter de la date d'achat. Cette garantie ne couvre pas les défaillances de pièces dues à une usure normale ou à une mauvaise utilisation de l'outil. Pour plus de détails relatifs à la couverture de la garantie et aux réparations sous garantie, visiter le site Web www.dewalt.com ou composer le 1-800-4-DeWALT (1-800-433-9258). Cette garantie ne s'applique pas aux accessoires ni aux dommages causés par des réparations réalisées ou tentées par des tiers. Cette garantie confère des droits légaux particuliers à l'acheteur, mais celui-ci pourrait aussi bénéficier d'autres droits variant d'un État ou d'une province à l'autre.

En plus de la garantie, les outils DeWALT sont couverts par notre :

Service d'entretien gratuit d'un an

DeWalt entretiendra l'outil et remplacera les pièces usées par une utilisation normale, et ce gratuitement, à tout moment pendant la première année à compter de la date d'achat.

GARANTIE de remboursement de 90 JOURS

Si vous n'êtes pas entièrement satisfait des performances de votre laser DeWalt pour quelque raison que ce soit, vous pouvez le renvoyer accompagné d'un reçu dans les 90 jours suivant la date d'achat, et nous vous rembourserons entièrement sans poser de questions.

Produit remis à neuf :

Tout produit remis à neuf est couvert par une garantie d'entretien gratuit d'un an. La garantie de remboursement après 90 jours et la garantie limitée de trois ans ne s'appliquent pas aux produits remis à neuf.

Remplacement gratuit des étiquettes d'avertissement :

Si les étiquettes d'avertissement deviennent illisibles ou sont manquantes, composer le 1-800-4-DeWALT ou visiter le centre de réparation le plus près pour un remplacement gratuit.

Caractéristiques techniques

FR

Source de lumière	Diodes laser	
Longueur d'onde du laser	620–690 nm visible (ROUGE)	510–530 nm visible (VERT)
Puissance du laser	≤1,50 mW (par faisceau) ÉQUIPEMENT LASER DE CATÉGORIE 2	
Portée	20 m (± 65 pi) ROUGE	35 m (± 115 pi) VERT
	50 m avec détecteur	50 m avec détecteur
Précision (aplomb)	± 3 mm par 10 m (± 1/8 po par 33 pi)	
Précision (niveau) :	± 3 mm par 10 m (± 1/8 po par 33 pi)	
Voyants		
Piles faibles	1 x DEL clignotant sur l'indicateur de niveau des piles	
Appareil non éteint à l'aide de l'interrupteur de blocage du pendule	4 x DEL clignotant sur l'indicateur de niveau des piles	
Faisceaux laser clignotants	Plage d'inclinaison dépassée/l'appareil n'est pas de niveau	
Source d'alimentation	4 piles AA (1,5 V) (6 V CC) ou bloc-piles Dewalt de 12 V	
Température de fonctionnement	-10 °C à 50 °C (14 °F à 122 °F)	
Température d'entreposage	-20 °C à 60 °C (-5 °F à 140 °F)	
Humidité	Humidité relative maximale de 80 % pour les températures inférieures à 31 °C (88 °F), diminuant linéairement jusqu'à 50 % à 40 °C (104 °F)	
Environnement	Résistant à l'eau et à la poussière selon la norme IP65	

Remarques

FR


Índice


- Segurança
- Visão Geral do Produto
- Baterias e Alimentação
- Operação
- Verificação de Precisão e Calibração
- Especificações


Segurança do Usuário

Definições: Orientações de segurança

As definições a seguir descrevem o nível de gravidade dos alertas. Leia o manual e preste atenção a estes símbolos.


 **PERIGO:** Indica uma situação de risco iminente que, se não evitada, acarretará morte ou ferimento grave.

 **ADVERTÊNCIA:** Indica uma situação potencialmente perigosa que, se não for evitada, poderá resultar em morte ou ferimento grave.


 **CUIDADO:** Indica uma situação potencialmente perigosa que, se não evitada, poderá resultar em ferimentos moderados a leves.

AVISO: Indica uma prática não relacionada a ferimentos pessoais que, se não evitada, poderá acarretar danos à propriedade.

Se você tiver dúvidas ou comentários sobre isso ou sobre qualquer ferramenta da DeWalt, ligue para 1-800-4-DeWALT (1-800-433-9258) ou acesse o site www.2helpU.com na Internet.

 **ADVERTÊNCIA:** *Leia e entenda todas as instruções. O não cumprimento das instruções e advertências acarretará choque elétrico, incêndio e/ou ferimentos graves.*

GUARDE ESTAS INSTRUÇÕES

 **ADVERTÊNCIA:** *Exposição à Radiação de Laser. Não desmonte ou modifique o nível do laser. Não há peças reparáveis pelo usuário na parte interna. Poderá acarretar ferimento grave nos olhos.*




ADVERTÊNCIA:

Radiação Perigosa. Usar controles, ajustes ou execução de procedimentos diferentes daqueles especificados neste manual pode resultar em exposição à radiação a laser perigosa.

O rótulo na ferramenta poderá conter um ou mais dos símbolos a seguir.

V.....volts

mW.....milliwatts

.....símbolo de advertência do laser

nm.....comprimento de onda em nanômetros

2.....Laser Classe 2

Etiquetas de Advertência

Para sua conveniência e segurança, as seguintes etiquetas estão no seu laser.



ADVERTÊNCIA: Para reduzir o risco de ferimentos o usuário deverá ler o manual de instruções.



ADVERTÊNCIA: RADIAÇÃO LASER. NÃO OLHE DIRETAMENTE PARA O FEIXE. Produto Laser Classe 2



- **Não opere o laser em áreas explosivas, tais como na presença de líquidos inflamáveis, gases ou poeira.** As ferramentas elétricas produzem faíscas que podem provocar a ignição de poeiras ou gases.
- **Use o laser apenas com as baterias feitas especialmente para ele.** O uso de outras baterias pode criar um risco de incêndio.
- **Armazene o laser quando não estiver em uso fora do alcance de crianças e outras pessoas não treinadas.** Lasers tornam-se perigosos quando manipulados por usuários não treinados.
- **Não use a ferramenta se o interruptor não a ligar ou desligar.** A ferramenta que não puder ser controlada pelo interruptor é perigosa e deverá ser consertada.

- **Não use ferramentas óticas como um telescópio ou instrumento de trânsito para ver o raio laser.** Poderá acarretar ferimento grave nos olhos.
- **Não posicione o laser em uma posição que possa fazer com que qualquer pessoa fique intencional ou acidentalmente na frente do feixe de laser.** Poderá acarretar ferimento grave nos olhos.
- **Não posicione o laser próximo de uma superfície refletora que possa refletir o feixe do laser em direção aos olhos de alguém.** Poderá acarretar ferimento grave nos olhos.
- **Desligue o laser quando não estiver em uso.** Deixar o laser ligado aumenta o risco ao ficar na direção do feixe de laser.
- **De maneira nenhuma modifique o laser.** Modificar a ferramenta pode resultar na exposição perigosa da radiação do laser.
- **Não coloque o laser em funcionamento com crianças ao redor ou permita que crianças operem o laser.** Poderá acarretar ferimento grave nos olhos.
- **Não remova ou desfigure as etiquetas de advertência.** Se as etiquetas forem removidas, os usuários poderão se expor acidentalmente à radiação.
- **Coloque o laser com segurança em uma superfície nivelada.** Se o laser cair, poderá ser danificado ou acarretar ferimentos graves.

Informação sobre o Laser

- O Laser de Linha de 360° com 3 Feixes DW089LR, DW089LG e o Laser de Linha de 360° com 2 Feixes DW0811LR, DW0811LG são produtos de laser Classe 2. Os lasers são ferramentas laser autonivelantes que podem ser usadas para projetos de alinhamento horizontal (nível) e vertical (prumo).


Este produto está em conformidade com 21 CFR 1040.10 e 1040.11, exceto para divergências concernentes à "Laser Notice 50", com data de 24 de junho de 2007

Em conformidade com UL STDS 61010-1
Certificado para CSA STD C22.2 Nº 61010-1

ADVERTÊNCIA:

Leia e entenda todas as instruções. O não cumprimento das instruções citadas a seguir poderá resultar em choque elétrico, incêndio e/ou ferimentos pessoais graves.

Local de trabalho

- **Mantenha seu local de trabalho limpo e bem iluminado.** Locais bagunçados ou escuros favorecem os acidentes.
-  **Não opere ferramentas a laser em áreas explosivas, tais como na presença de líquidos inflamáveis, gases ou poeira.**
- **Mantenha crianças e outras pessoas afastadas ao operar uma ferramenta laser.** As distrações podem fazer com que você perca o controle.

Segurança elétrica

- **Use ferramentas a bateria apenas com as baterias feitas especialmente para elas.** O uso de outras baterias pode criar um risco de incêndio.

Visão Geral do Produto



ADVERTÊNCIA:

Não modifique a ferramenta nem suas peças. Isso poderá danificar o laser ou acarretar ferimentos pessoais.

Figura 2 - Interface da bateria ^(A)

Figura 1A - Trava do pêndulo ^(B)

Figura 1B - Teclado ^(C)

Figura 1B - Botão Liga/Desliga: linha horizontal do laser ^(D)

Figura 1B - Botão Liga/Desliga: linha lateral do laser ^(E)

Figura 1B - Botão Liga/Desliga: linha frontal vertical do laser (apenas DCE089R/G) ^(F)

Figura 2 - Suporte pivotante magnético ^(G)

Figura 4 - Fixação de rosca do tripé (1/4 - 20 e 5/8 - 11) ^(I)

Figura 1B - Indicador de nível da bateria ^(J)

Figura 5 - Braçadeira de montagem no teto ^(K)

Figura 5 - Montagem no teto ^(L)

Figura 5 - Furo do parafuso ^(M)

Baterias e Alimentação

- Esta ferramenta é alimentada pelos seguintes pacotes de baterias 12V da DeWALT: DCB120, DCB127 ou também o pacote iniciante DEWALT AA, que suporta 4 baterias AA. Observação: O pacote iniciante AA é recomendado somente para uso com o laser vermelho.

Instalação/Remoção da Bateria

Uso do Pacote Iniciante AA:



CUIDADO:

O pacote iniciante AA foi projetado especificamente para uso somente com produtos a laser compatíveis de 12 V da DeWALT e não pode ser usado com outras ferramentas. Não tente modificar o produto.

Para instalar as baterias:

- Levante a tampa do compartimento da bateria, como mostrado na Figura (A).
- Insira quatro baterias AA novas no compartimento, seguindo as indicações (+) e (-) na parte interior do compartimento.
- Instale o pacote iniciante de baterias AA como mostrado na figura (B).

Uso do pacote de baterias 12V recarregáveis da DEWALT:

- Instale a Bateria de 12 V como mostrado na Figura (C).



ADVERTÊNCIA:

As baterias podem explodir ou vazar e provocar ferimentos ou incêndio. Para reduzir esses riscos:

- Siga atentamente todas as instruções e advertências contidas no rótulo e na embalagem da bateria e que acompanham o Folheto de Segurança da Bateria.
- Sempre insira as baterias corretamente prestando atenção à polaridade (+ e -) marcada na bateria e no equipamento.
- Não coloque os terminais da bateria em curto-circuito.
- Não carregue baterias descartáveis.
- Não misture baterias velhas e novas. Substitua todas ao mesmo tempo, por novas da mesma marca e tipo.
- Remova as baterias descarregadas imediatamente e descarte-as de acordo com as leis locais.
- Não jogue as baterias no fogo.
- Mantenha as baterias fora do alcance das crianças.
- Remova as baterias quando o dispositivo não estiver em uso.
- Use apenas o carregador especificado para seu conjunto de baterias recarregáveis.

Segurança Pessoal

- Mantenha-se alerta, veja o que está fazendo e use de bom senso ao operar uma ferramenta a laser. Não use a ferramenta quando estiver cansado ou sob o efeito de drogas, álcool ou medicamentos. Um momento de distração ao operar ferramentas elétricas pode resultar em ferimentos pessoais graves.
- Use equipamentos de segurança pessoal. Use sempre proteção ocular. Equipamentos de proteção como máscara contra poeira, calçados de segurança antiderrapantes, capacete ou protetores auditivos usados nas condições apropriadas reduzem os ferimentos.

Manutenção

- A manutenção da ferramenta deve ser executada apenas pelo técnico de reparo qualificado. A assistência ou manutenção executada por pessoas desqualificadas pode resultar em ferimentos.
- Ao fazer a manutenção de uma ferramenta, use apenas peças de reposição idênticas. Siga as instruções na seção **Manutenção** deste manual. O uso de peças não autorizadas ou o não cumprimento das Instruções de Manutenção podem gerar risco de choque elétrico ou ferimentos.

Para localizar o centro de assistência DeWALT mais próximo, ligue para 1-800-4-DEWALT (1-800-433-9258) ou acesse <http://www.2helpU.com>.

Dicas de Operação

- Use apenas baterias AA novas, de alta qualidade e marca conhecida ou o conjunto de baterias de íon de lítio de 12 V DEWALT recarregável especificado para obter melhores resultados.
- Assegure-se de que as baterias estejam em boas condições de trabalho. Se a luz vermelha do indicador de bateria descarregada estiver piscando, é necessário substituir as baterias.
- Para estender a vida da bateria, desligue o laser quando não estiver usando ou marcando o feixe.
- Para garantir a precisão do seu trabalho, verifique com frequência se o seu laser está calibrado. Consulte Verificação de Calibração de Campo.
- Antes de tentar usar o laser, assegure-se de que ele esteja firmemente posicionado em uma superfície lisa e plana.
- Sempre marque o centro do feixe criado pelo laser.
- Mudanças extremas de temperaturas podem deslocar peças internas e afetar a precisão. Verifique sua precisão frequentemente enquanto trabalha. Consulte Verificação de Calibração de Campo.
- Se o laser cair, verifique se o feixe ainda está calibrado. Consulte Verificação de Calibração de Campo.
- Coloque o laser sobre uma superfície lisa, plana, estável e nivelada nas duas direções.

Indicador de Bateria Descarregada

Os lasers DW089LR, DW089LG, DW0811LR, DW0811LG são equipados com um medidor de bateria, como mostrado na Figura 1B. O medidor de bateria indica a carga restante, com cada LED representando 25%. O LED inferior acenderá e piscará indicando que o nível está baixo (abaixo de 12,5%) e que as baterias precisam ser substituídas. O laser pode continuar a operar por um tempo curto enquanto as baterias continuam a descarregar, mas os feixes perderão intensidade em breve. Após as baterias novas serem instaladas e o laser ser novamente ligado, o brilho do feixe de laser retornará sua intensidade e o indicador de nível de bateria indicará capacidade total. (Um feixe de laser piscando não é causado por bateria com carga baixa, consulte **Indicador de Fora do Intervalo de Inclinação**.) Se todos os 4 LEDs no medidor de bateria piscarem continuamente, isso não é sinal de bateria com carga baixa; consulte "LEDs do Medidor de Bateria Piscando" em **Solução de Problemas**.

Operação

Para Ligar e Desligar os Lasers

(Veja a Figura 1)

Com o laser desligado, coloque-o em uma superfície plana nível. Deslize o interruptor de Trava do Pêndulo (B) para a posição Destravado/LIGADO. O modelo DCE089G/R tem três botões Ligar/Desliga no teclado (C), um para uma linha de laser horizontal (D), um para uma linha de laser vertical lateral (E) e um para uma linha de laser frontal vertical (F) (somente DCE089G/R). O DCE0811G /R tem duas linhas: uma linha horizontal e uma linha vertical lateral. Cada linha de laser é ativada pressionando o botão liga/desliga correspondente no teclado. As linhas de laser podem ser ativadas individual ou simultaneamente. Pressionar as teclas Ligar/Desligar novamente desliga as linhas de laser. Deslize o interruptor de Trava do Pêndulo para a posição Desligado/Travado quando o laser não estiver em uso. Se o interruptor da trava de pêndulo não for colocado na posição de travamento, todos os 4 LEDs piscarão continuamente no medidor de bateria.

Uso do Laser

Indicador de Fora de NÍVEL

Os lasers são projetados para se autonivelarem. Se o laser estiver inclinado de modo a não conseguir se autonivelar ($> 4^\circ$), o feixe de laser piscará. Há duas sequências de intermitência associadas à condição de fora de nível: (i) entre 4° e 10° , os feixes piscam com um ciclo de intermitência constante; (ii) em ângulos maiores que 10° , os feixes piscam com um ciclo de três intermitências. Quando os feixes piscam, O LASER NÃO ESTÁ NIVELADO (OU NO PRUMO) E NÃO DEVE SER USADO PARA DETERMINAR OU MARCAR O NÍVEL OU PRUMO. Tente reposicionar o laser em uma superfície mais nivelada.

Uso do Suporte Pivotante (Veja a Figura 2)



ADVERTÊNCIA:

Posicione o laser e/ou suporte de parede em uma superfície estável. Ferimentos graves ou danos ao laser podem resultar caso o laser caia.

O laser possui um suporte pivotante magnético (G) permanentemente fixado à unidade. Este suporte permite que a unidade seja montada em qualquer superfície vertical de aço ou ferro. Exemplos comuns de superfícies adequadas incluem estruturas de aço, batentes de porta feitos de aço e vigas de aço estrutural. O suporte também possui um orifício (H) que permite que a unidade seja suspensa em um prego ou parafuso em qualquer tipo de superfície.

Uso do Laser com Suporte de TETO (Veja a Figura 3)

O suporte de teto (L) (se incluso) oferece mais opções de suporte ao laser. O suporte de teto tem uma braçadeira (K) em uma extremidade que pode ser fixada em um ângulo da parede para instalação em teto acústico. Em cada extremidade do suporte de teto está um orifício de suspensão (M), que permite sua fixação em qualquer superfície com um prego ou parafuso.

Quando o suporte de teto está fixado, sua chapa de aço serve como superfície à qual o suporte pivotante magnético (G) pode ser fixado. A posição do laser pode então ser ajustada deslizando o suporte pivotante magnético para cima ou para baixo no suporte de parede.

Uso do Laser com Acessórios

Os lasers vêm equipados com uma rosca de 1/4" x 20 e uma rosca fêmea de 5/8" x 11, no fundo da unidade. Essa rosca deve acomodar acessórios DeWALT atuais ou futuros. Use somente os acessórios DeWALT especificados para o uso com este produto. Siga as instruções incluídas com o acessório.



CUIDADO:

O uso de qualquer outro acessório não indicado para uso com esta ferramenta pode ser perigoso.

Se você precisar de assistência para localizar qualquer acessório, entre em contato com a assistência técnica da DeWALT mais próxima ou acesse www.2helpU.com.

Nivelamento dos Lasers

Desde que o laser esteja adequadamente calibrado, será autonivelado. Cada laser é calibrado na fábrica para encontrar o nível enquanto estiver posicionado em uma superfície plana dentro de uma média de $\pm 4^\circ$ do nível. Nenhum ajuste manual é necessário.

Manutenção

- Para manter a precisão de seu trabalho, verifique o laser constantemente para garantir que esteja sempre calibrado adequadamente. Consulte Verificação de Calibração de Campo.
- As verificações de calibração e outros reparos de manutenção podem ser realizados em assistências técnicas da DeWALT.
- Quando não estiver sendo usado, armazene o laser na caixa fornecida com o kit. Não armazene o laser em temperaturas abaixo de -5°F (-20°C) ou acima de 140°F (60°C).
- Não armazene seu laser na caixa do kit se ele estiver molhado. Antes do armazenamento, primeiro ele deve ser seco com um pano seco e macio.

Limpeza

As peças de plástico da parte externa podem ser limpas com um pano úmido. Apesar de essas peças serem resistentes a solventes, NUNCA use solventes. Use um pano seco e macio para remover a umidade da ferramenta antes do armazenamento.

Verificação de Precisão e Calibração

Verificação da Precisão -

Feixe Horizontal, Direção de Varredura (Veja a figura ⑦)

A verificação da calibração da varredura horizontal do laser exige duas paredes a 30' (9 m) de distância. É importante fazer a verificação da calibração usando uma distância que não seja menor do que a distância das aplicações nas quais a ferramenta será usada.

1. Coloque o laser sobre uma superfície lisa, plana, estável e nivelada nas duas direções, com o laser voltado diretamente para a parede oposta (posição de 0°).
2. Ligue o feixe horizontal e o feixe vertical frontal do laser e marque a posição do feixe na parede oposta diretamente através do laser **(a)**. Sempre marque o centro da espessura do feixe.
3. Incline o laser 180° e marque a posição horizontal do feixe na parede oposta **(b)**.
4. Meça a distância vertical entre **(a)** e **(b)**. Se as medidas forem maiores do que os valores mostrados abaixo, o laser precisa ser enviado para um centro de serviço autorizado.

Distância entre as Paredes	Distância Permitida entre as Marcas
30' (9 m)	1/8" (3,0 mm)
40' (12 m)	5/32" (4,0 mm)
50' (15 m)	7/32" (5,0 mm)

5. Rodar o laser 90 graus e repita o teste.

Verificação da Precisão -

Feixe Horizontal, Direção do Passo (Veja a figura ⑧)

A verificação da calibração do passo horizontal exige uma parede com pelo menos 30' (9 m) de comprimento. É importante fazer a verificação da calibração usando uma distância que não seja menor do que a distância das aplicações nas quais a ferramenta será usada.

1. Coloque o laser sobre uma superfície lisa, plana, estável e nivelada nas duas direções.
2. Ligue o feixe horizontal do laser e gire o laser em direção à extremidade oposta da parede e aproximadamente paralelo à parede adjacente.
3. Marque o centro do feixe nas duas localizações **(c)**, **(d)** a pelo menos 30' (9 m) entre si.
4. Reposicione o laser na extremidade oposta da parede.

- Ligue o feixe horizontal do laser e gire o laser novamente em direção à extremidade inicial da parede e aproximadamente paralelo à parede adjacente.
- Ajuste a altura do laser para que o centro do feixe esteja alinhado com a marca mais próxima (D).
- Marque o centro do feixe (E) diretamente acima ou abaixo da marca mais distante (C).
- Meça a distância entre estas duas marcas (C, E). Se as medidas forem maiores do que os valores mostrados abaixo, o laser precisa ser enviado para um centro de serviço autorizado.

Distância entre as Paredes	Distância Permitida entre as Marcas
30' (9 m)	1/4" (6,0 mm)
40' (12 m)	5/16" (8,0 mm)
50' (15 m)	13/32" (10,0 mm)

Verificação da Precisão -

Feixe Vertical (Veja a Figura 9)

A verificação da calibração vertical (prumo) do laser pode ser feita com mais precisão quando houver uma quantidade substancial de altura vertical disponível, idealmente 30' (9 m), com uma pessoa no chão posicionando o laser e outra pessoa perto do teto para marcar a posição do feixe. É importante fazer a verificação da calibração usando uma distância que não seja menor do que a distância das aplicações nas quais a ferramenta será usada.

- Coloque o laser sobre uma superfície lisa, plana, estável e nivelada nas duas direções e ligue os dois feixes verticais.
- Marque as duas linhas curtas onde os feixes cruzam no chão (A, B) e também no teto (C, D). Sempre marque o centro da espessura do feixe.
- Buscar e gire o laser 180° e posicione-o assim que as vigas se alinhem com as linhas marcadas na superfície de nível (C, F).
- Marque duas linhas curtas onde os feixes cruzam no teto (D, A).
- Meça a distância entre cada conjunto de linhas marcadas no teto (C, D e F, A). Se as medidas forem maiores do que os valores mostrados abaixo, o laser precisa ser enviado para um centro de serviço autorizado.

Altura do Teto	Distância Permitida entre as Marcas
8' (2,5 m)	1/16" (1,5 mm)
10' (3 m)	3/32" (2 mm)
14' (4 m)	1/8" (2,5 mm)
20' (6 m)	5/32" (4 mm)
30' (9 m)	1/4" (6 mm)

Verificação da Precisão de 90° entre os Feixes Verticais (DW089LR/G) (Veja a Figura 10)

A verificação da precisão de 90° exige uma área do chão aberta de, pelo menos, 33' x 18' (10 m x 5 m). Consulte a Figura 9 para posicionar o laser a cada passo e para localizar as marcas feitas a cada passo. Sempre marque o centro da espessura do feixe.

- Coloque o laser sobre uma superfície lisa, plana, estável e nivelada nas duas direções e ligue o feixe vertical lateral.
- Marque o centro do feixe nas três localizações (A, B, C) no chão, ao longo da linha de laser lateral. A marca (B) deve estar no ponto central da linha do laser.
- Mova o laser para a marca (E) e ligue os dois feixes verticais.
- Posicione o cruzamento do feixe precisamente na marca (B), com o feixe lateral alinhado com a marca (C).
- Marque uma localização (D) ao longo do feixe vertical frontal a pelo menos 18' (5 m) de distância da unidade.
- Gire o laser cruzando sobre a marca (B), de forma que o feixe vertical lateral agora passe pela marca (B, D).
- Marque a localização (E) onde o feixe vertical lateral passa pela marca (D).
- Meça a distância entre as marcas (A) e (E). Se as medidas forem maiores do que os valores mostrados abaixo, o laser precisa ser enviado para um centro de serviço autorizado.

Distância de A para B	Distância Permitida entre (A) e (E)
10' (3 m)	1/8" (3,2 mm)
14' (4 m)	5/32" (3,5 mm)
17' (5 m)	3/16" (4,5 mm)
20' (6 m)	7/32" (5,5 mm)
23' (7 m)	1/4" (6 mm)

Solução de Problemas

O Laser Não Liga

- Confira se as baterias AA (quando usadas) estão instaladas corretamente de acordo com as marcações (+) e (-) na parte interior da tampa das baterias.
- Assegure-se de que as baterias ou o pacote recarregável estejam em boas condições de trabalho. Se estiver em dúvida, coloque baterias novas.
- Verifique se os contatos da bateria estão limpos e livres de ferrugem ou corrosão. Assegure-se de manter o nivelador laser seco e use apenas baterias novas, de marcas reconhecidas e de alta qualidade, para reduzir a possibilidade de vazamento das baterias.
- Se a unidade laser for aquecida acima de 120°F (50°C), ela não será ligada. Se o laser tiver sido armazenado em temperaturas extremamente altas, espere que ele esfrie. O nível do laser não será danificado ao pressionar o botão ligar/desligar antes de ser resfriado à sua temperatura operacional adequada.


Os Feixes de Laser Piscam

Os lasers são projetados para autonivelamento até uma média de 4° em todas as direções. Se o laser for inclinado demais, de forma que o mecanismo interno não possa nivelá-lo, os feixes do laser piscarão, indicando que a faixa de inclinação foi excedida. OS FEIXES PISCANDO CRIADOS PELO LASER NÃO ESTÃO NIVELADOS OU NO PRUMO E NÃO DEVEM SER USADOS PARA DETERMINAR OU MARCAR O NÍVEL OU PRUMO. Tente reposicionar o laser em uma superfície mais nivelada.

Os Feixes de Laser Não Param de se Mover

O laser é um instrumento de precisão. Desta maneira, se não estiver posicionado em uma superfície estável (e imóvel), o laser continuará tentando buscar o nível. Se o feixe não parar de se mover, tente colocar o laser em uma superfície mais estável. Além disso, tente se certificar de que a superfície seja relativamente plana, para que o laser fique estável.

Os LEDs do Medidor de Bateria Piscam

Quando todos os 4 LEDs piscam continuamente no medidor de baterias, isso indica que a unidade não foi totalmente desligada usando o interruptor da trava de pêndulo . O interruptor da trava de pêndulo deve sempre ser colocado na posição TRAVADO/DESLIGADO quando o laser não está em uso.

Acessórios



ADVERTÊNCIA:

Uma vez que acessórios, diferentes dos oferecidos pela DeWalt, não foram testados com este produto, o uso de tais acessórios com esta ferramenta pode ser perigoso. Para reduzir o risco de ferimentos, apenas os acessórios recomendados pela DeWalt devem ser usados com este produto.

Uso do Laser com Acessórios (Veja a Figura 2)

O laser vem equipado com uma rosca de 1/4" x 20 e uma rosca fêmea de 5/8" x 11 (I), no fundo da unidade. Essa rosca deve acomodar acessórios DeWALT atuais ou futuros. Use somente os acessórios DeWALT especificados para o uso com este produto. Siga as instruções incluídas com o acessório.

Manutenção e Reparos

- **Observação:** Desmontar os níveis do laser anulará todas as garantias do produto.

Para garantir a SEGURANÇA e CONFIABILIDADE do produto, os reparos, manutenção e ajustes devem ser realizados por assistências técnicas autorizadas. A assistência ou manutenção executada por pessoas desqualificadas pode resultar em ferimentos. Para localizar o seu centro de assistência DeWALT mais próximo, ligue para 1-800-4-DeWALT (1-800-433-9258) ou acesse www.2helpU.com.

Garantia limitada de 3 anos

A DeWalt efetuará reparos, sem cobrança de taxa, de todos os defeitos provocados por falha do material ou de fabricação por 3 anos contados a partir da data da compra. Esta garantia não cobre falhas da peça provocadas pelo desgaste natural ou por uso incorreto da ferramenta. Para obter mais informações sobre a cobertura da garantia e sobre as informações de reparos abrangidos, visite www.dewalt.com ou telefone para 1-800-4-DeWALT (1-800-433-9258). Esta garantia não se aplica a acessórios ou danos provocados onde já tiver havido reparo ou tentativa de reparo por terceiros. Esta garantia oferece a você os direitos legais específicos e você poderá ter outros direitos que podem variar de acordo com a sua região.

Além da garantia, as ferramentas da DeWALT têm a cobertura de:

1 ano de manutenção gratuita

A DeWalt efetuará manutenção na ferramenta e substituirá as peças desgastadas por uso normal, gratuitamente, a qualquer momento durante o primeiro ano depois da compra.

GARANTIA de 90 DIAS ou seu dinheiro de volta

Caso não esteja totalmente satisfeito com o desempenho de sua ferramenta elétrica, laser ou colocador de pregos da DeWalt você poderá devolver o equipamento em até 90 dias contados a partir da data da compra com um recibo para reembolso completo - e não precisará responder a perguntas.

Produto Recondicionado:

Produtos recondicionados são cobertos pela Garantia de Manutenção Gratuita de 1 Ano. A Garantia de 90 Dias ou Seu Dinheiro de Volta e a Garantia Limitada de Três Anos não se aplicam a produtos recondicionados.

Substituição Gratuita da Etiqueta de Aviso:

Se as etiquetas de aviso se tornarem ilegíveis ou estiverem faltando, telefone para 1-800-4-DeWalt ou visite a assistência técnica para substituição gratuita.

Especificações

Fonte de Luz	Diodos de laser	
Comprimento de onda do laser	620–690 nm visível (VERMELHO)	510–530 nm visível (VERDE)
Alimentação do Laser	PRODUTO LASER CLASSE 2 DE $\leq 1,50$ mW (cada feixe)	
Intervalo Operacional	20 m ($\pm 65^\circ$) VERMELHO	35 m ($\pm 115^\circ$) VERDE
	50 m com detector	50 m com detector
Precisão (prumo)	$\pm 1/8''$ por 33 pés (± 3 mm por 10 m)	
Precisão (Nível):	$\pm 1/8''$ por 33 pés (± 3 mm por 10 m)	
Indicadores		
Bateria Descarregada	1 LED Piscando no Medidor de Bateria	
Unidade Não Desligada com Interruptor de Trava de Pêndulo	4 LEDs Piscando no Medidor de Bateria	
Feixes do Laser Piscando	Intervalo de inclinação excedido/unidade não nivelada	
Fonte de Alimentação	Baterias no tamanho 4 AA (1,5 V) (6 VCC) ou Conjunto de Baterias DeWalt de 12 V	
Temperatura Operacional	14°F a 122°F (-10°C a 50°C)	
Temperatura de Armazenamento	-5°F a 140°F (-20°C a 60°C)	
Umidade	Umidade máxima relativa de 80% para temperaturas até 88°F (31°C), diminuindo linearmente até 50% de umidade relativa a 104°F (40°C)	
Ambiental	Resistência a Água e Poeira Nível IP65	

Observações

PT



DEWALT Industrial Tool Co.,
701 Joppa Road, Towson, MD 21286
June 2017 DOC100270391 - REV B
Copyright © 2017 DEWALT
www.2helpU.com