

One Year Limited Warranty

Warrantor warrants to the original purchaser that the PortaMate PM3800 will be free from defects in materials and workmanship under normal use and service for a period of one (1) year from the date of original purchase.

The obligation of this Warranty is limited to repair or replacement, at our option, of components which prove defective under normal use.

Any product or component claimed to be defective should be sent during Warranty period, postage prepaid to **PortaMate, 332 E. Lincoln, Royal Oak, MI 48067, Attn: Warranty Department**, together with a copy of your original dated sales receipt. Call for authorization number before sending.

This warranty is in lieu of all other express warranties, obligations or liabilities. ANY IMPLIED WARRANTIES, OBLIGATIONS OR LIABILITIES, SHALL BE LIMITED IN DURATION TO THE ONE YEAR PERIOD OF THIS LIMITED WARRANTY. NO AGENT, REPRESENTATIVE, DEALER, OR EMPLOYEE OF THE COMPANY HAS THE AUTHORITY TO INCREASE OR ALTER THE OBLIGATIONS OF THIS WARRANTY.

This Warranty shall not apply to any product or component which in the opinion of the Warrantor has been modified or altered in any way, damaged as a result of an accident, misuse or abuse, or loss of parts. In no case shall the Warrantor be liable for any special or consequential damages, or any other costs or warranty, expressed or implied, whatsoever.

This Warranty gives you specific legal rights, and you may also have other rights which vary from state to state.

Your satisfaction is very important to us.
Please return your warranty card
with comments or suggestions.

Customer Service Department

248-399-6185 or **800-624-2027**



PM3300 Saw Horse

OPERATORS MANUAL

Assembly • Operation • Parts List • Warnings • Warranty

Caution: Read all instructions carefully.

SAVE THESE INSTRUCTIONS.

Refer to them often and use them to instruct others.

Date Purchased: _____

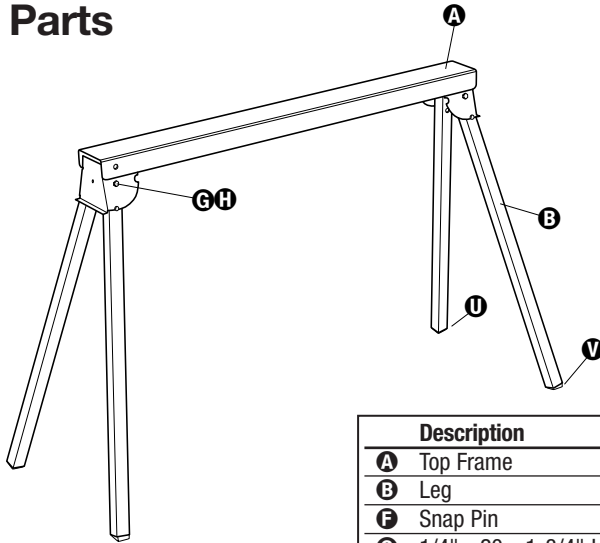
Where Purchased: _____

Address: _____

Congratulations

You have just purchased a PM3300 Folding Saw Horse.

Parts



	Description	Part No.	Qty
A	Top Frame	5107	1
B	Leg	2974	4
F	Snap Pin	F103	4
G	1/4" - 20 x 1-3/4" Hex Head Bolt	D140	4
H	1/4" - 20 Lock Nut	D102	4
J	1/4" - 20 Serrated Flange Nut	D118	8
K	5/16" - 18 3-Point Knob	G101	4
U	Leg Plugs (right)	2908R	2
V	Leg Plugs (left)	2908L	2

General Safety Instructions for Power Tools

Using power tools of any kind can be dangerous if safe operating procedures are not followed. Recognizing the hazards of each tool and using them with respect and caution will considerably limit the possibility of personal injury. However, if safety precautions are ignored, personal injury will likely result. Always use common sense – your personal safety-is your responsibility. Know your power tool. Read and understand the Operator's Manual and observe the warnings and instruction labels affixed to the tool.

Safety Instructions for Saw Horses

1. Use caution when folding or unfolding legs to limit any finger pinch points.
2. Place stand on flat and level surface to keep tool from rocking or tipping.
3. **Do not exceed 500 lbs. per stand.**
4. Test the setup for stability before proceeding with work.

Assembly Instructions

Read all assembly instructions completely before attempting assembly.

See parts list on Page 2 for names and pictures of parts. Identify all components and hardware.

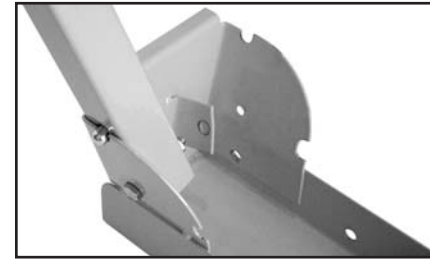


Figure 1

1. Install Leg **B** as shown in Figure 1 to Top Frame **A** and secure with 1/4" - 20 x 1-3/4" Bolt **G** and 1/4" Lock Nut **H**. Insure that Snap Pin is facing out and securely latches in the open and closed positions. Do not over tighten. Repeat on remaining three Legs.



Figure 2

2. Place top frame upside down on your workbench or work surface. Open the legs by depressing the snap pins and pivot the legs into the open position. Figure 2.

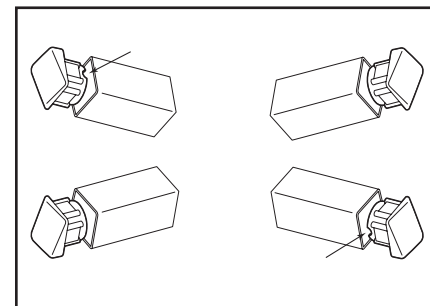


Figure 3: Legs Represented in Open Position

3. Install 1-1/4" Tube Plugs **U** **V** into the bottom of all four legs, as shown in Figure 3. Return unit to upright position.