



OWNER'S MANUAL

# AIR CONDITIONER

Please read this manual carefully before operating your set and retain it for future reference.

TYPE : PORTABLE AIR CONDITIONER

MODEL : LP1215GXR

# INTRODUCTION

## IMPORTANT SAFETY INSTRUCTIONS

Basic Safety Precautions .....	3 - 6
Electrical Safety .....	6 - 7

## PARTS AND FEATURES

Key Parts and Components .....	8
Control Panel and Remote .....	9

## HOW TO USE

Before Using Your Air Conditioner .....	10-11
Using the Controls .....	12-14

## INSTALLATION INSTRUCTIONS

Preparing for Installation .....	15
Selection of Installation Location .....	16
Window Vent Panel and Extensions .....	17
Installation in Vertical Sliding Windows .....	18-19
Installation in Casement Style Windows .....	20-21

## CARE AND CLEANING

Cleaning the Case .....	22
Cleaning the Air Filter .....	22
Emptying the Water Collection Tank .....	23
Storing the Air Conditioner .....	24

## TROUBLESHOOTING

Before Calling for Service .....	25 - 26
----------------------------------	---------

## WARRANTY

Product Registration Information .....	27
--	----

## THANK YOU!

Congratulations on your purchase  
and welcome to the LG family.

Your new LG Air Conditioner  
combines high-efficiency operation  
with portable convenience.



If you follow the operating and care  
instructions in this manual, your  
air conditioner will provide you with  
many years of reliable service.

# IMPORTANT SAFETY INSTRUCTIONS



## BASIC SAFETY PRECAUTIONS

To prevent personal injury and property damage, the following instructions must be followed.

- Failing to follow instructions and operating the product incorrectly will cause harm or damage. The severity of the possible consequences is indicated by the following symbols.

 <b>WARNING</b>	This symbol indicates the possibility of death or serious injury.
 <b>CAUTION</b>	This symbol indicates the possibility of injury or damage to property only.

- The meaning of the symbols used in this manual is shown below.

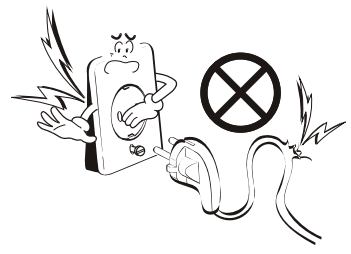
	<b>This is the WRONG thing to do.</b>
	<b>Be sure to follow the instruction.</b>

## WARNING

### ■ Installation

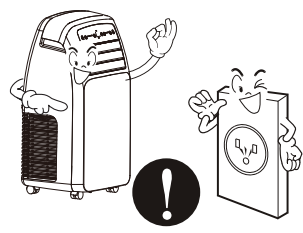
**Don't use a damaged power cord or plug, or a loose or damaged socket.**

- Doing so may cause an electric shock or fire.



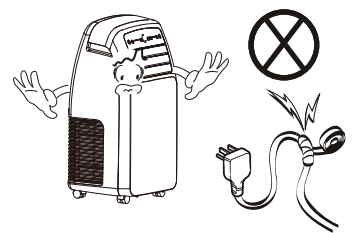
**Always plug into a grounded outlet.**

- Failing to do so may cause an electric shock or fire.



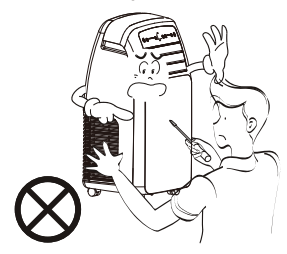
**Do not modify or extend the power cord length.**

- The heat generated will cause an electric shock or fire.



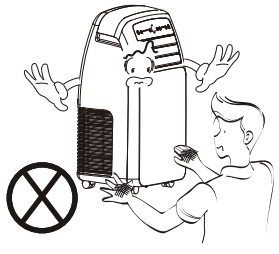
**Do not disassemble or modify the product.**

- Doing so may cause electric shock or product failure.



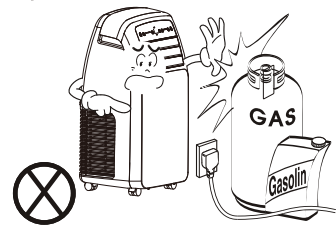
**Be cautious when unpacking and installing.**

- Sharp edges may cause injury.



**Do not store flammables like gasoline, benzene, thinner, etc. near the air conditioner.**

- Doing so may cause an explosion or fire.

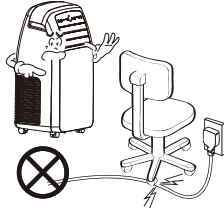


# IMPORTANT SAFETY INSTRUCTIONS

## ■ Operation

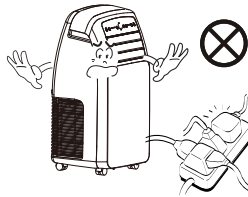
**Do not place heavy objects on top of the power cord, or bend or pinch the cord.**

- Doing so could result in electric shock or fire.



**Do not share the outlet with other appliances.**

- The heat generated will cause electric shock or fire.



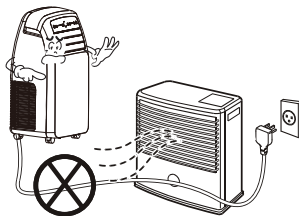
**Pull the plug out using the plug head not the cord. Do not unplug while hands are wet.**

- Failure to follow this warning could result in electric shock or fire.



**Do not place the power cord near a heater.**

- Doing so may cause an electric shock or fire.



**Do not allow water to run into electric parts.**

- Doing so will cause electric shock or machine malfunction.



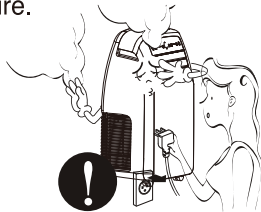
**Use a soft cloth to clean. Do not use wax, thinner, or a strong detergent.**

- The appearance of the air conditioner may deteriorate, change color, or develop surface flaws.



**Unplug the unit if strange sounds, odors, or smoke come from it.**

- Failure to follow this warning may result in electric shock and fire.



**Turn off the power and breaker before cleaning the unit.**

- Since the fan rotates at high speed during operation, it may cause injury.



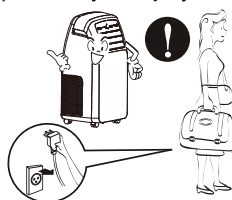
**If water enters the product, turn off the power switch of the main body of appliance. Contact service center after taking the power-plug out from the socket.**

- Doing so will cause electric shock or machine malfunction.



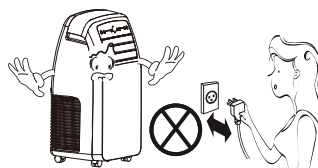
**Unplug the unit when not using it for a long time.**

- Prevent accidental startup and the possibility of injury.



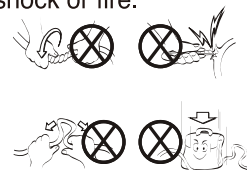
**Do not operate or stop the unit by inserting or pulling out the power plug.**

- The heat generated will cause electric shock or fire.



**Do not operate with a damaged or unspecified power cord.**

- Doing so will cause electric shock or fire.



# IMPORTANT SAFETY INSTRUCTIONS

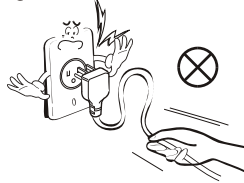
**Do not operate with wet hands or in a damp environment.**

- Doing so will result in electric shock.



**Hold the plug by the head (not the cable) when taking it out.**

- Failing to do so may cause damage and electric shock.



**If a gas leak occurs, ventilate the room well before operating the unit.**

- Failure to do so may cause explosion and fire.



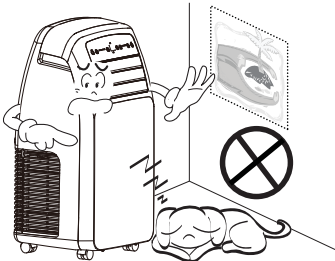
**If the inside of the unit needs cleaning, contact an Authorized Service Center or a dealer. Do not use harsh detergent that can cause corrosion or damage to the unit. Harsh detergent may also cause failure of product, fire, or electric shock.**

## CAUTION

### ■ Operation

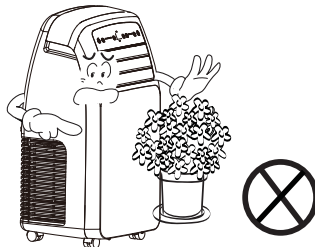
**Do not use this appliance for specialized purposes such as cooling pets, foods, precision machinery or art objects.**

- This unit is not intended as a precision refrigeration system.



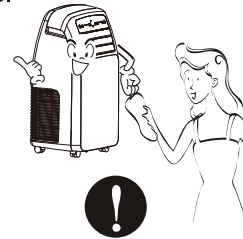
**Do not block the inlet or outlet of air flow.**

- Doing so may cause product failure.



**Use a soft cloth to clean. Do not use wax, thinner, or a strong detergent.**

- The appearance of the air conditioner may deteriorate, change color, or develop surface flaws.



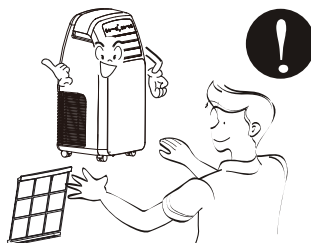
**Do not step on the indoor/outdoor unit and do not put anything on it.**

- Doing so may result in injury or damage to the unit.



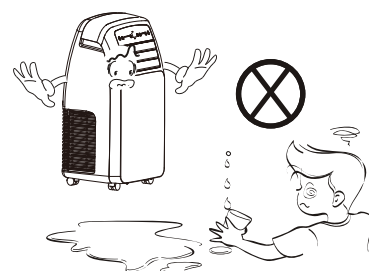
**Always insert the filter securely. Clean it every two weeks.**

- Operating the unit without filters will cause it to fail.



**Do not drink water drained from the air conditioner.**

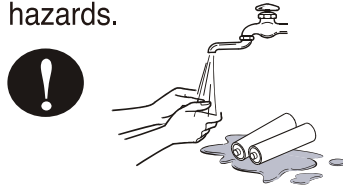
- The water contains contaminants and will make you ill.



# IMPORTANT SAFETY INSTRUCTIONS

If fluid from the batteries in the remote leaks out and comes in contact with your skin or clothes, wash well with clean water. Discontinue use of the remote if the batteries have leaked.

- The chemicals in the batteries could cause burns or other health hazards.



If you eat the fluid from inside the remote's batteries, brush your teeth and see a doctor. Discontinue use of the remote if the batteries have leaked.

- The chemicals in the batteries could cause burns or other health hazards.



## ELECTRICAL SAFETY

### **!** WARNING

#### Electrical Shock Hazard

Failure to follow these instructions can result in electric shock, fire, or death.

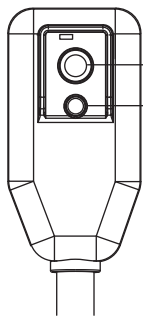
- This unit must be properly grounded.
- Do not, under any circumstances, cut or remove the ground prong.
- If you do not have a properly grounded outlet, or if there is any doubt that the outlet is not properly grounded, a qualified electrician should check the outlet and circuit, and, if necessary, install a properly grounded outlet.
- This air conditioner must be plugged into a grounded 60 Hz, 120 VAC outlet protected by a 15 amp time delay fuse or circuit breaker.
- This air conditioner must be installed in accordance with national wiring codes.
- Do not alter or modify the plug or cord of this air conditioner. If the power cord becomes worn or damaged, the cord should only be replaced by a qualified service technician using genuine replacement parts.
- Do not use an extension cord.

# IMPORTANT SAFETY INSTRUCTIONS

## READ ALL INSTRUCTIONS BEFORE USE

### ELECTRICAL SAFETY

#### INTEGRATED CIRCUIT BREAKER



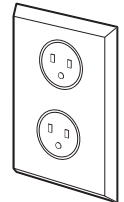
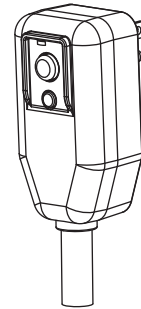
Reset  
Test

For additional safety, the power cord features an integrated circuit breaker. Test and reset buttons are provided on the plug case.

The circuit breaker should be tested periodically by pressing the TEST

button then the RESET button. If the TEST button does not cause the circuit breaker to trip, or if the RESET button will not stay engaged, unplug the air conditioner immediately and contact your LG service technician.

#### PREFERRED GROUNDING METHOD



Ensure proper ground exists before use.

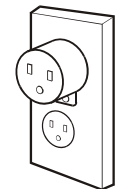
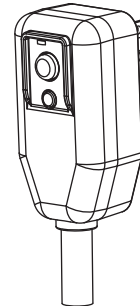
**Due to potential safety hazards, the use of an adapter plug is strongly discouraged.**

For temporary connections, use only a UL-listed adapter. Ensure that the large slot in the adapter is aligned with the large slot in the outlet.

To prevent damage to the adapter's ground terminal, hold the adapter in place while plugging in or unplugging the air conditioner.

- **Attaching the adapter ground terminal to the wall receptacle cover screw does not ground the appliance unless the cover screw is metal and not insulated, and the wall receptacle is grounded through the house wiring.**

#### TEMPORARY GROUNDING METHOD



Ensure proper ground exists before use.

- **Frequent connection and disconnection can damage the ground terminal on the adapter. Never use a broken or damaged adapter.**

## SAVE THESE INSTRUCTIONS



# PARTS AND FEATURES

## KEY PARTS AND COMPONENTS

**1 CONTROL PANEL AND DISPLAY**  
The Easy-to-read white LED display shows the operating state. Digital buttons (simple push Buttons) make changing settings quick and easy.

**2 MOTORIZED AIR DISCHARGE**  
The adjustable louvered air discharge opens automatically when the air conditioner is turned on, and closes when it is turned off. It can also be set to oscillate to distribute air more evenly through the room.

**3 INFRARED REMOTE CONTROL**  
The LCD remote control allows you to adjust the temperature and operate most functions of the air conditioner from across the room.

**4 EXHAUST HOSE AND DIFFUSER**  
Use the diffuser and EXHAUST HOSE to connect the air conditioner to the window installation kit to vent exhaust air outside.

**5 FILTER & FILTER CASE**  
You can pull out and insert the FILTER & FILTER CASE easily.

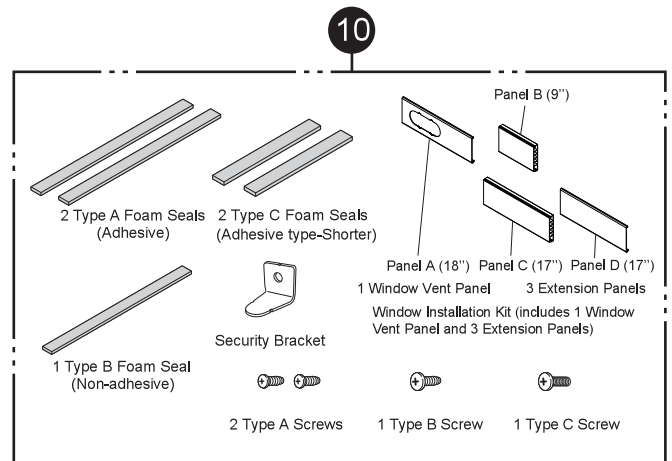
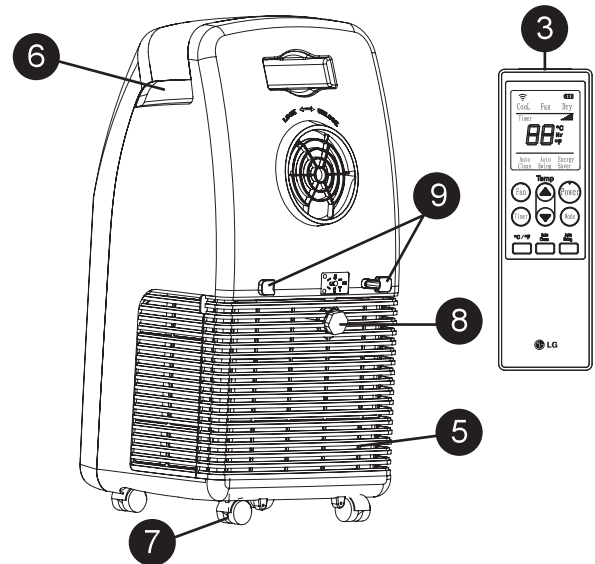
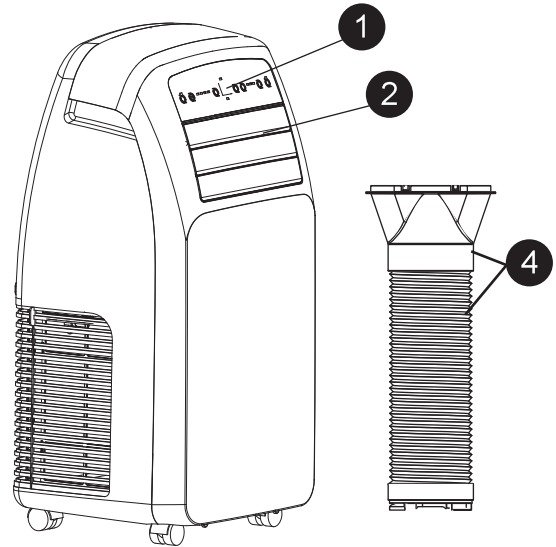
**6 HANDLES**  
The handles provide a convenient grip when lifting the air conditioner.

**7 SWIVELING CASTERS**  
Swiveling casters allow you to move the air conditioner easily on most floor surfaces.

**8 DRAIN OUTLET**  
Before moving the air conditioner, drain the internal water in the collection tank completely using the Drain Outlet.

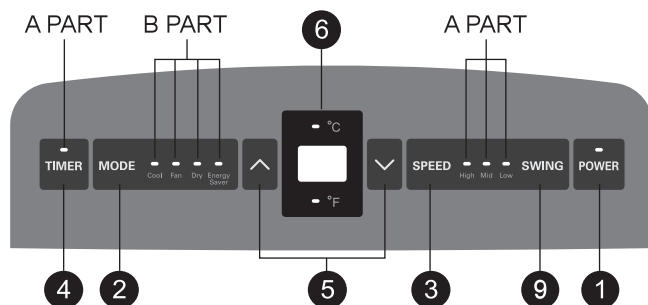
**9 POWER SUPPLY CORD HOLDERS**  
Wrap the power supply cord around the holders for your convenience.

**10 EXHAUST COMPONENTS**  
The following components are used for window venting. (See page 15)





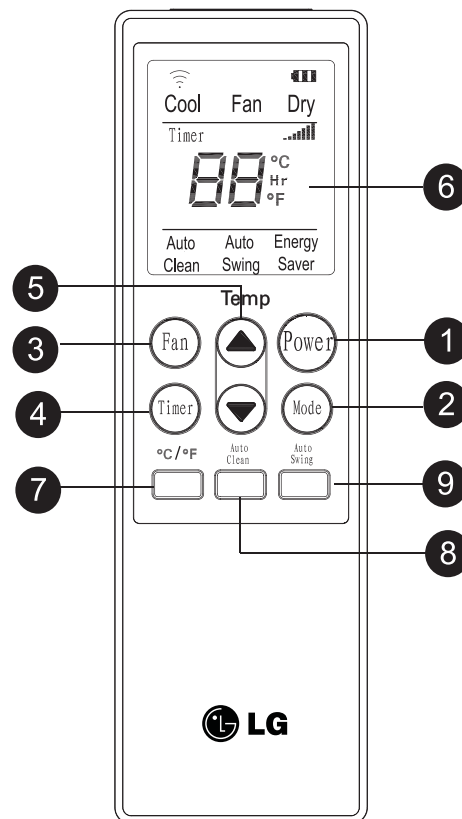
## CONTROL PANEL AND REMOTE



Operation of functions is the same when using the remote or the control panel, unless otherwise stated.

For detailed instructions on each function, see the following pages.

- 1 POWER ON/OFF**  
Turns the air conditioner on and off. When turning on, a rising tone will sound to confirm. When turning off, a descending tone will sound.
- 2 MODE**  
Switches the air conditioner between COOL, FAN, DRY, and ENERGY SAVER modes. The active mode will be shown in the LED display.
- 3 FAN**  
Adjusts the circulation fan speed among low (F1), medium (F2), and high (F3).
- 4 TIMER**  
Allows you to set a delay from 1 to 24 hours that will turn the air conditioner on or off automatically.
- 5 ▲ / ▼ (TEMP/TIMER)**  
Adjust the set temperature up or down, or adjust the timer delay time.
- 6 LED DISPLAY**  
A PART shows fan speed or the selected TIMER delay. B PART shows the active mode (COOL, FAN, DRY and ENERGY SAVER). LED DISPLAY shows the set temperature (°C or °F), Auto clean, Water full.
- 7 °C/°F**  
Switches the temperature display between degrees Celsius (°C) and degrees Fahrenheit (°F). It is also available by pressing the ▲ button and ▼ button on the control panel at the same time.



- 8 AUTO CLEAN**  
Removes moisture from the heat exchangers and helps prevent odor from forming. This function can be activated from the remote only.
- 9 AUTO SWING**  
Sets the motorized air discharge to oscillate, improving air circulation in the room. This function can be activated with the remote and control panel.

### **NOTE** AUTO RESTART

If there is a power failure during operation, the unit will resume operation with the same settings as before the power failure.

# HOW TO USE

## BEFORE USING YOUR AIR CONDITIONER

### *PREPARING FOR OPERATION*

Refer to the Installation Instructions included in this manual before using the air conditioner. Once the air conditioner has been properly assembled and installed:

- 1 Plug the power cord into its own dedicated, properly grounded outlet . Do not plug Other appliances into the same outlet; this could overload the outlet and create a fire hazard.
- 2 Make sure the air conditioner and cord are positioned where they do not create a tripping hazard and will receive adequate ventilation. Do not place the air conditioner directly next to furniture or objects that could block the vent openings.
- 3 Make sure that any items that could be blown over or damaged by the airflow from the fan are out of the airflow path.

### *UNPACKING THE AIR CONDITIONER*

Remove and store packing materials for reuse. Remove any shipping tape before using the air conditioner. If the tape leaves behind any adhesive, rub a small amount of liquid dish soap onto it and wipe with a damp cloth. Do NOT use sharp instruments, alcohol, thinners, or abrasive cleaners to remove adhesive. They could damage the finish.

### *IMPORTANT:*

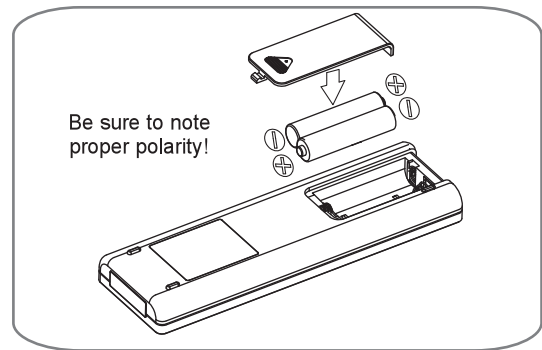
- Do not remain in the direct airflow from the air conditioner for extended periods of time.
- When used at the same time as stoves, fireplaces, and other combustion devices, make sure there is a sufficient flow of fresh air into the room. Do not use in tightly enclosed spaces with these types of devices.
- This air conditioner is intended for household use as a consumer comfort appliance. Do not use it as a precision climate control system, or for purposes such as cooling precision equipment, food, pets, plants, artwork, etc. Such items could be damaged.
- Do not bend the hose downward when window installation kit is not applied. Doing so may cause inferior performance or failure of the air conditioner.

## BEFORE USING YOUR AIR CONDITIONER

### *INSERTING BATTERIES IN THE REMOTE*

Before using your remote, install the provided AAA batteries.

- 1 Press down on the arrow and slide the battery cover on the back of the remote, then you can remove the cover.
- 2 Insert two new AAA alkaline batteries into the battery compartment, being sure to note the proper polarity.
- 3 Reattach the battery cover, making sure the locking tab clicks into place.

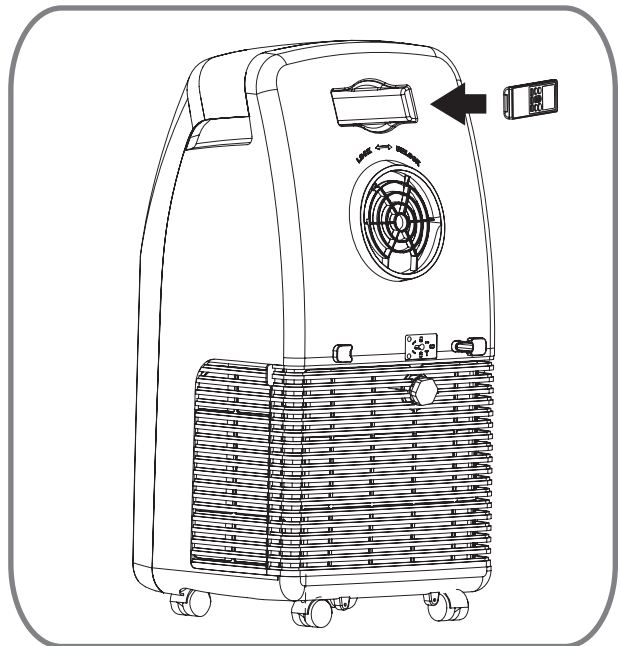


#### NOTES:

- Use only alkaline batteries. Do not use rechargeable batteries.
- When replacing batteries, always replace both batteries with new batteries. Do not mix old and new batteries.
- If the air conditioner will not be used for an extended period of time, remove the batteries from the remote.

### *REMOTE STORAGE*

Your air conditioner has a special place for convenient storage of the remote control. See the drawing to the right.



#### NOTE:

In order to avoid losing the remote, have to put the remote inside of the storage niche with button portion facing outside, when remote not in use.

## **⚠ CAUTION**

- If the fluid from inside the batteries comes into contact with your skin or clothes, wash it well with clean water.  
Do not use the remote if the batteries have leaked.
- If you eat the fluid from inside the remote's batteries, brush your teeth and see a doctor. Discontinue use of the remote if the batteries have leaked.  
The chemicals in the batteries could cause burns or other health hazards.
- If you are not keeping remote like button position Facing outside, possibility to fell down and damage.

# HOW TO USE

## USING THE CONTROLS

Control panel buttons shown. Operation using the remote control is the same, unless specifically noted.

**NOTE:** The remote sensor is located under the air discharge and on the top of the front panel.

### POWER

Press the **POWER** button to turn the air conditioner ON or OFF. When you turn the air conditioner on, an ascending tone will play and the LED display will show the set temperature and any active mode. The air discharge on the top of the air conditioner will automatically open.

When turning the air conditioner off, you will hear a descending tone and the air discharge on the top of the air conditioner will close.

Any control settings such as Mode, Set Temperature, Auto Swing, etc. will be retained in memory when the power is off.

**NOTE:** When turned on after being unplugged, the air conditioner will automatically reset to COOL mode, with a temperature setting of 72°F. Any settings will need to be re-entered.



Always point the remote at the sensor. The remote may not work if the sensor is in bright light or if there is not a clear path between the remote and the sensor.

### MODE

Press the **MODE** button to select the operating mode (COOL, FAN, DRY, or ENERGY SAVER) the air conditioner.

You can see the active mode on the LED Display.

The default setting is COOL. Press the **MODE** button to change to FAN, press again to change to DRY, again to change to ENERGY SAVER, and again to return to COOL.



Mode	Features
COOL	Compressor runs and cools the room. Use the ▲ / ▼ and FAN buttons to set the desired temperature and fan speed.
FAN	Fan circulates air but compressor does not run. Use the FAN button to set the desired fan speed.
DRY	Dry mode is used to remove humidity from the room without additional cooling. Once the set temperature is reached, the compressor and the fan turns off. Fan speed is pre-set and can not be adjusted.
ENERGY SAVER	Under normal operation, the fan cycles on and off with the compressor, and the fan runs at the set speed. This mode helps reduce power consumption by automatically turning off the fan when the compressor is off. The air conditioner will automatically cycle fan on and off with the compressor as needed for cooling.

## USING THE CONTROLS

### FAN SPEED

Pressing the **Speed** button cycles the circulation fan speed from low (F1) to medium (F2) to high (F3). The selected fan speed will be shown in the LED display.



The function can be used in either COOL or FAN modes.

When changing fan speeds, there is a brief delay before the fan motor changes speed.

### ▲ / ▼ (TEMP/TIMER)

In COOL and DRY modes, the ▲ / ▼ (TEMP/TIMER) buttons adjust the set temperature up to 86°F (30°C) or down to 60°F (16°C), in one degree increments.



The temperature can be switched between degrees Fahrenheit and degrees Celsius, pressing the ▲ button and ▼ button

at the same time, or by pressing the °C = °F button on the remote.

When the TIMER function is selected, use the ▲ / ▼ (TEMP/TIMER) buttons to adjust the delay time from 1 to 24 hours, in one hour increments.

If you press and hold the ▲ / ▼ (TEMP/TIMER) buttons, the set temperature or time will change automatically after a few seconds.

**NOTE:** The displayed temperature is the SET temperature, not the room temperature. In COOL, DRY or ENERGY SAVER mode, the thermostat in the air conditioner will run the compressor until the set temperature is reached, then cycle the compressor on and off to maintain the set temperature.

### TIMER

When the TIMER function is selected, you can set the air conditioner to either automatically turn



OFF or turn ON after a delay of up to 24 hours. The display will show 0. Use the ▲ / ▼ (TEMP/TIMER) buttons to adjust the delay time from 1 to 24 hours, in one

hour increments.

To set an automatic off delay, press the TIMER button while the air conditioner is running and use the ▲ / ▼ (TEMP/TIMER) buttons to adjust the delay time. The air conditioner will automatically turn OFF after the set delay.

To set an automatic on delay, press the TIMER button while the air conditioner is off and use the ▲ / ▼ (TEMP/TIMER) buttons to adjust the delay time.

The display will show the number of hours remaining until the unit is set to come on. The air conditioner will automatically turn ON after the set delay.

Press the TIMER button to see the delay time you set displayed on the LED display panel.

To change the set delay time, press the TIMER button and adjust the time when the number begins to blink.

To cancel the Timer function, press the **TIMER** button and adjust the number to **0** when the number begins blinking. The function will be canceled in a few seconds.

An easier way to cancel the timer function is to press the **TIMER** button, then press it again when the number begins blinking.

### NOTES:

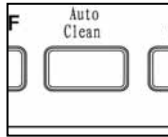
- Do not unplug the air conditioner while using the timer function.
- After setting the TIMER function, if you use remote control to change another mode without setting TIMER function in remote control, then TIMER function will be reset.

# HOW TO USE

## USING THE CONTROLS

### *AUTO CLEAN*

- To turn the **AUTO CLEAN** function on, press the **AUTO CLEAN** button while the air conditioner is running in **COOL**, **DRY**, or **ENERGY SAVER** mode. This function can only be selected from the remote; it is not available from the control panel.



It must be set each time you wish to run the **AUTO CLEAN** function.

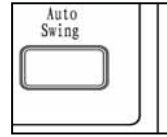
**AUTO CLEAN** is used to remove moisture from the heat exchange coils. This helps prevent the formation of mildew and odors.

- 1** To use **AUTO CLEAN**  
With the air conditioner running in **COOL**, **DRY** or **ENERGY SAVER** mode, press the **AUTO CLEAN** button.
- 2** **AUTO CLEAN** will be displayed in the LED display.  
Press the **POWER** button to turn the air conditioner off. **AUTO CLEAN** will run the fan with the compressor off for a few minutes after the power is turned off.

To cancel **AUTO CLEAN**, or to stop an **AUTO CLEAN** cycle in process, simply press the **AUTO CLEAN** button again. The **AUTO CLEAN** function will not operate if the air conditioner is already off.

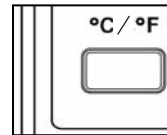
### *AUTO SWING*

The **AUTO SWING** function can be activated with the remote and control panel. When this function is on, the air discharge will oscillate to circulate air more evenly through the room. To turn this function off, simply press the **AUTO SWING** button on the remote again.



With **AUTO SWING** off, you may also manually adjust the air discharge to the desired position. It will maintain this position until the air conditioner is turned off or **AUTO SWING** is activated.

°C / °F



Press this button to switch the displayed temperature from °F to °C or vice versa.

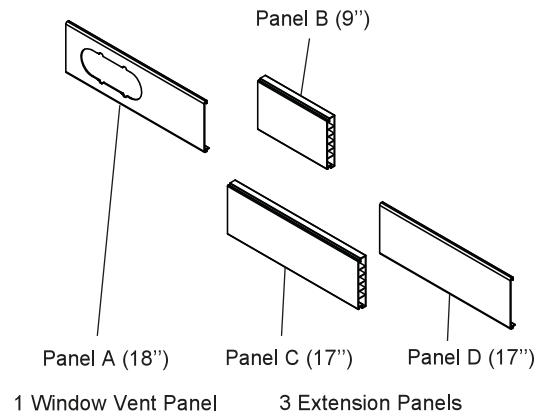
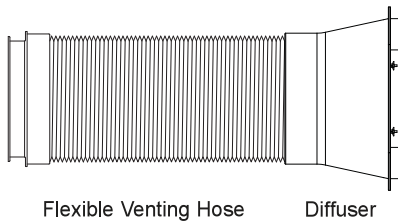
# INSTALLATION INSTRUCTIONS

## PREPARING FOR INSTALLATION

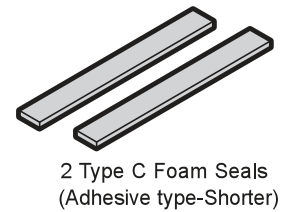
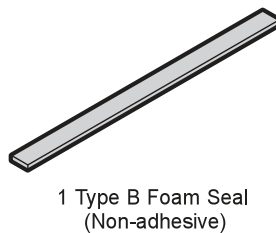
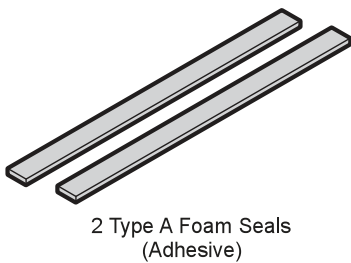
**⚠ WARNING** The air conditioner is heavy! Use two or more people to lift and install the unit! Failure to do so could result in back injury or other injuries.

### EXHAUST COMPONENTS

The following components are used for window venting. Not all components are used for every installation.



Window Installation Kit (includes 1 Window Vent Panel and 3 Extension Panels)



Security Bracket



2 Type A Screws



1 Type B Screw



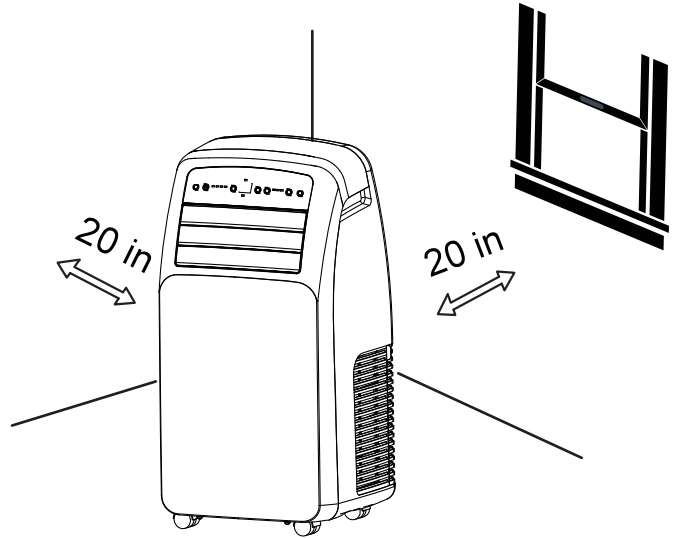
1 Type C Screw



# INSTALLATION INSTRUCTIONS

## SELECTION OF INSTALLATION LOCATION

- 1 Place the unit on a level floor.
- 2 For best performance, allow at least 20 in (50.8 cm) of air space behind the unit for good air circulation.
- 3 Place the unit near a window. The hose and diffuser will be used to connect the air conditioner to the window installation kit to vent exhaust air outside.



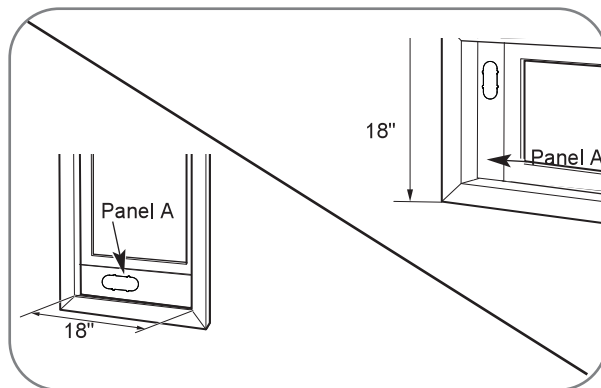
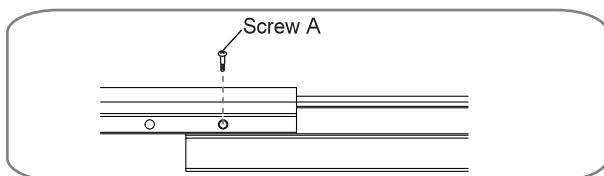
# INSTALLATION INSTRUCTIONS

## WINDOW VENT PANEL AND EXTENSIONS

The window installation kit allows you to install the air conditioner in most vertical-sliding windows 18" to 50" (46 to 127 cm) wide, or casement-style windows from 18" to 50" (46 to 127 cm) high.

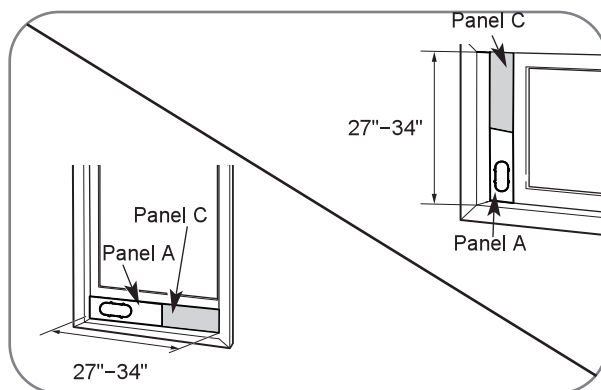
Window Length	Panel				Fig.
	A 18" (46cm)	B 9" (23cm)	C 17" (43cm)	D 17" (43cm)	
18" (46cm)	✓				A
19"- 26" (48cm - 66cm)	✓	✓			B
27"- 34" (69cm - 86cm)	✓		✓		C
35"- 50" (89cm - 127cm)	✓		✓	✓	D

1. Please check your window length and choose the panels that will fit from the above table.
2. If the length of your window requires more than two panels, use one type A screw to fasten the panels once they are adjusted to the proper length.



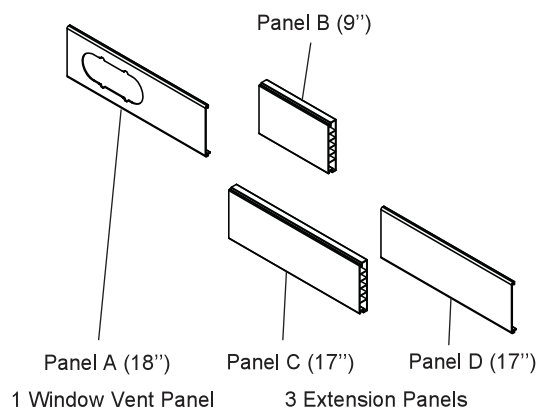
For an 18" (46cm) window opening, use the window vent panel by itself.

Fig. "A"



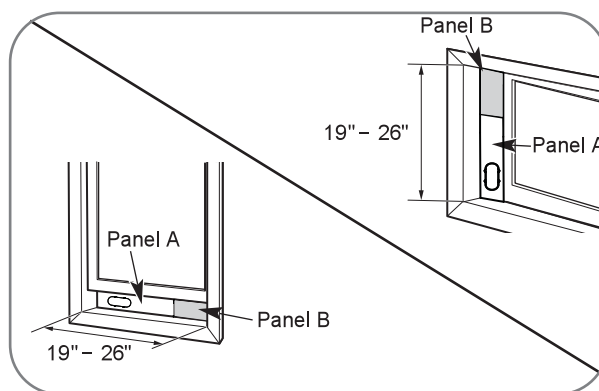
For window openings from 27" to 34" (69cm to 86cm), use the window vent panel (Panel A) and extension Panel C.

Fig. "C"



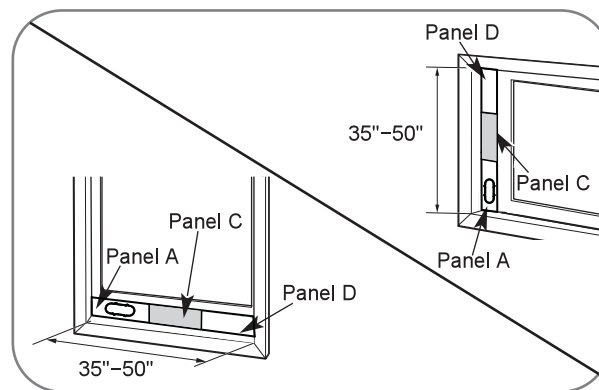
1 Window Vent Panel 3 Extension Panels

Window Installation Kit (includes 1 Window Vent Panel and 3 Extension Panels)



For window openings from 19" to 26" (48cm to 66cm), use the window vent panel (Panel A) and extension Panel B.

Fig. "B"



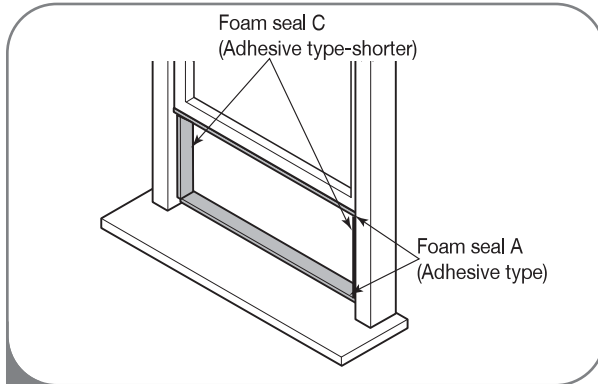
For window openings from 35" to 50" (89cm to 127cm), use the window vent panel and extension panels (C and D).

Fig. "D"

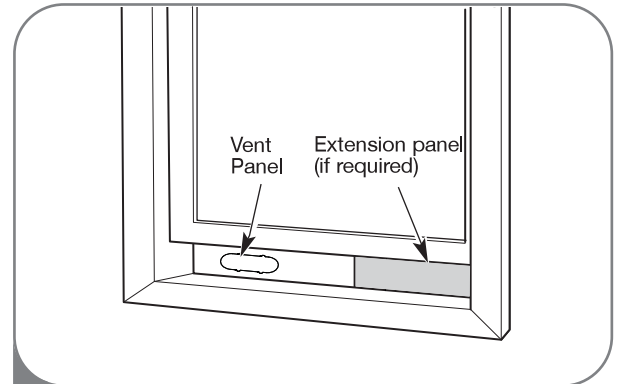
# INSTALLATION INSTRUCTIONS

## INSTALLATION IN VERTICAL SLIDING WINDOWS

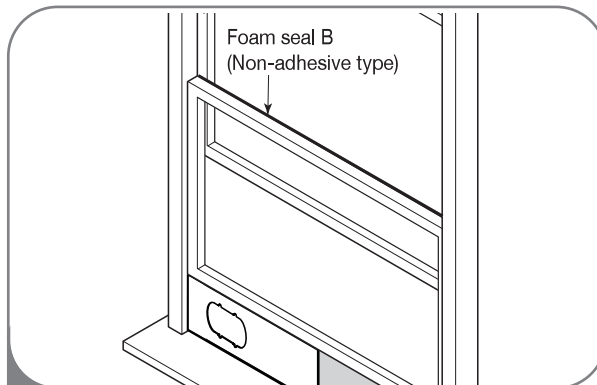
**NOTE:** The window installation kit can be used with vertical sliding windows between 18" and 50" (46cm and 127 cm) wide.



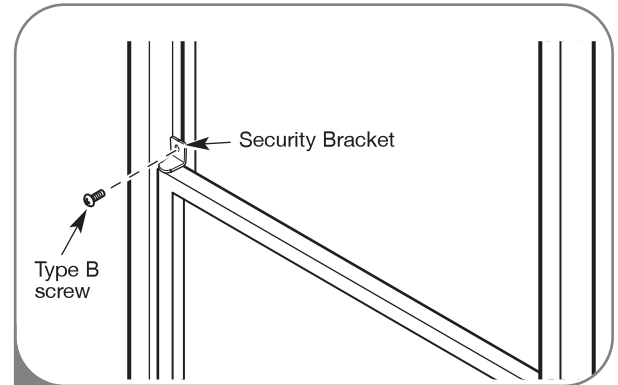
- 1 Cut the adhesive foam seal A and C strips to the proper lengths, and attach them to the window sash and frame as shown.



- 2 Insert the vent panel assembly, including extension panels, if needed, into the window opening. Extend the extension panels, if used.



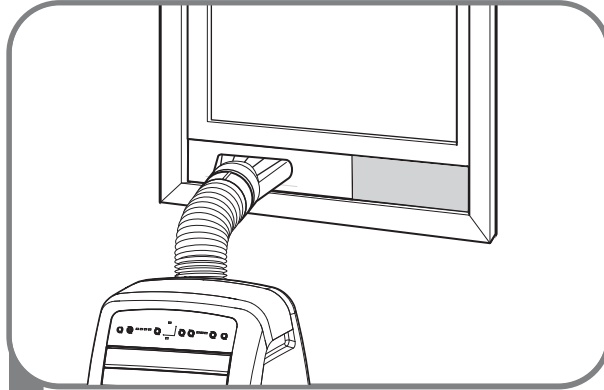
- 3 Cut the non-adhesive foam seal B strip to match the width of the window. Insert the seal between the glass and the window frame to prevent air and insects from getting into the room.



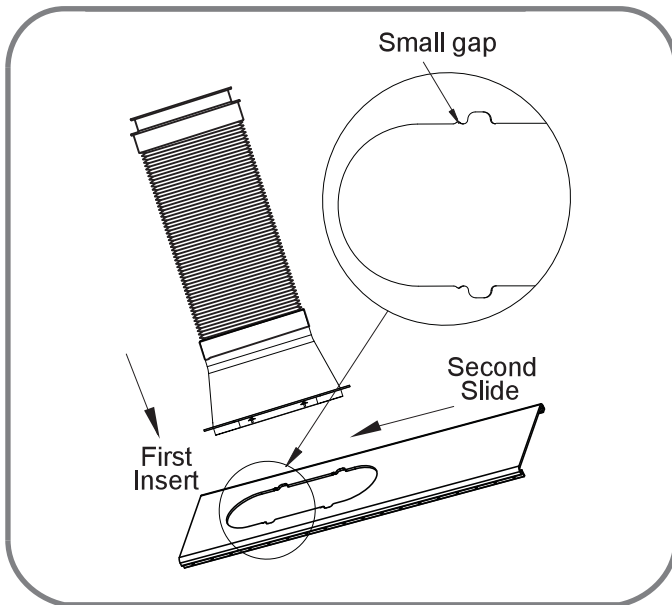
- 4 If desired, install the security bracket with a type B screw as shown.

# INSTALLATION INSTRUCTIONS

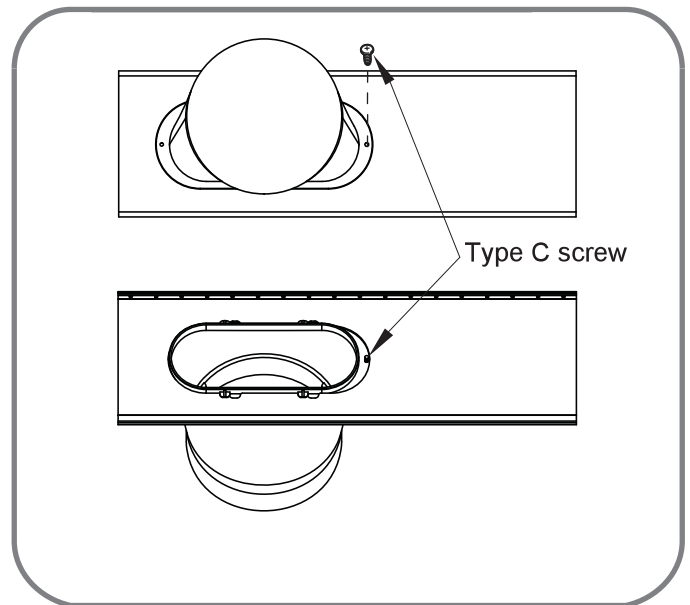
## INSTALLATION IN VERTICAL SLIDING WINDOWS



5 Insert the diffuser into the vent panel then slide the diffuser left to lock it.



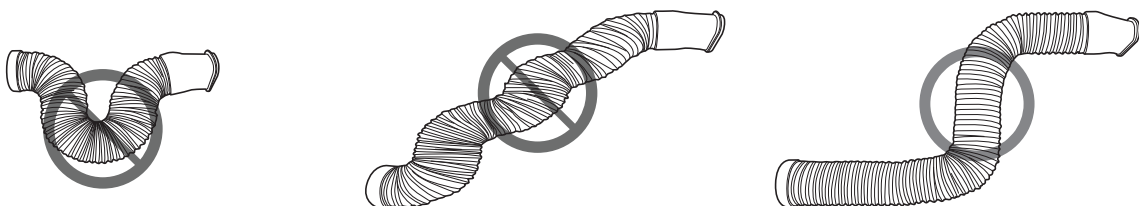
First insert diffuser into the vent panel fully and then slide it to lock.



Use the type C screw to fix the diffuser more firmly in place, if desired.

### **NOTE** Proper way to install the venting hose

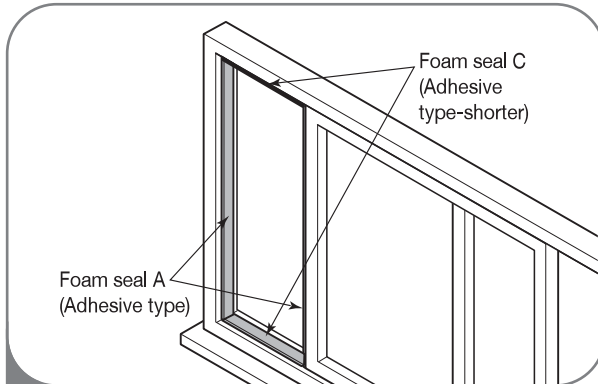
For perfect installation of venting hose with unit, you can hear “CLICK” sound after rotate. You are NOT supposed to over-bend or twist the venting hose for better performance efficiency. Adjust hose length to shorter for better performance efficiency.



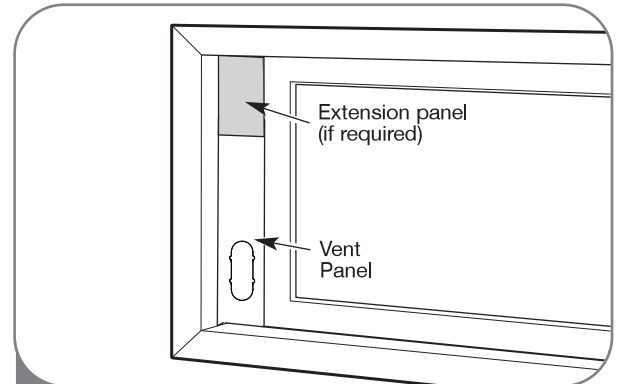
# INSTALLATION INSTRUCTIONS

## INSTALLATION IN CASEMENT STYLE WINDOWS

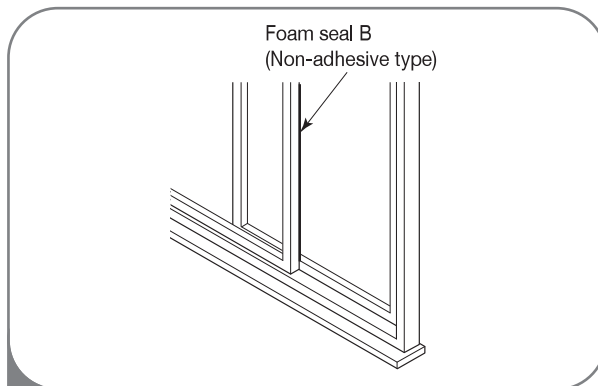
**NOTE:** *The window installation kit can be used with casement windows between 18" and 50" tall.*



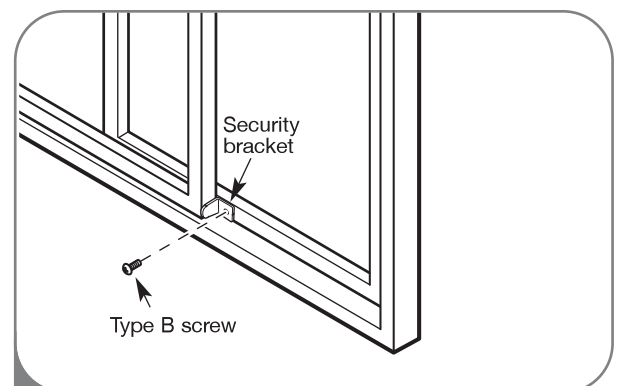
- 1 Cut the adhesive foam seal A and C strips to the proper lengths and attach them to the window sash and frame as shown.



- 2 Insert the vent panel assembly, including extension panels, if needed, into the window opening. Extend the extension panels, if used.



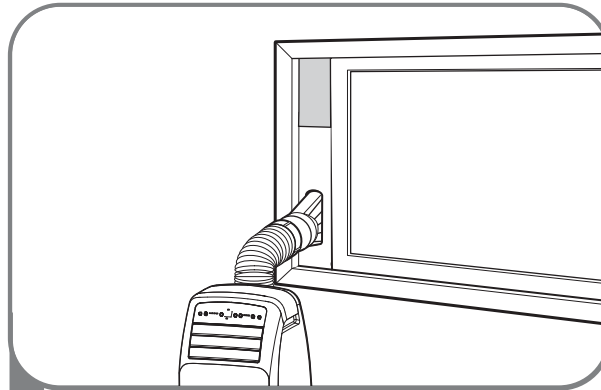
- 3 Cut the non-adhesive foam seal B strip to match the window height. Insert the foam seal between the glass and the window frame to prevent air and insects from getting into the room.



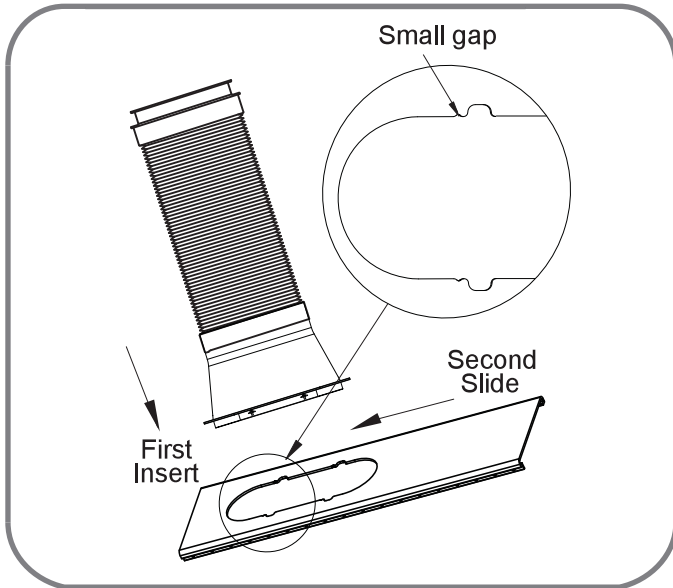
- 4 Install the window security bracket with a type B screw as shown.

# INSTALLATION INSTRUCTIONS

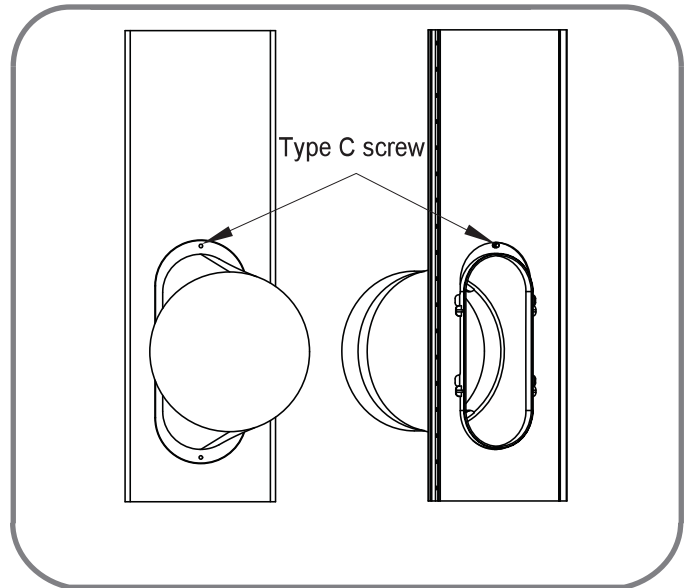
## INSTALLATION IN CASEMENT STYLE WINDOWS



5 Insert the diffuser into the vent panel and slide the diffuser down to lock.



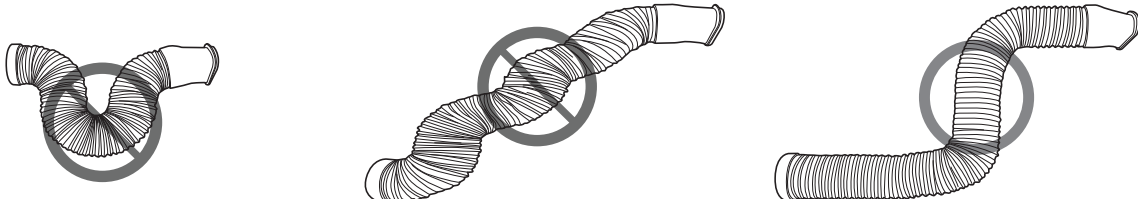
First insert diffuser into the vent panel fully and then slide it to lock.



Use the type C screw to fix the diffuser more firmly in place, if desired.

### **NOTE** Proper way to install the venting hose

For perfect installation of venting hose with unit, you can hear "CLICK" sound after rotate. You are NOT supposed to over-bend or twist the venting hose for better performance efficiency. Adjust hose length to shorter for better performance efficiency.



# CARE AND CLEANING

Your air conditioner is designed for year-round operation with only minimal cleaning and maintenance.

For maximum efficiency, it is recommended that you have the cooling coils inspected and cleaned annually. Your local LG Authorized Service Center can provide this inspection and cleaning service for a nominal fee.

## WARNING

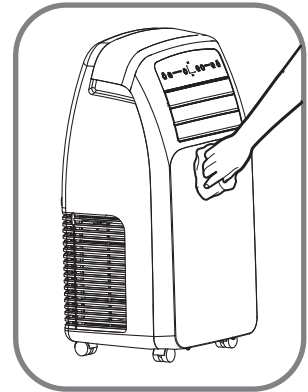
- Unplug the air conditioner before cleaning or performing any maintenance or servicing.
- Be careful when cleaning coils or removing or reinstalling the filter-the cooling fins are sharp!

Failure to follow the above precautions could result in electric shock or personal injury.

## CLEANING THE CASE

Wipe the case with a slightly damp cloth, then wipe dry with a dry cloth or towel.

- To prevent damage to the finish, do not use gasoline, benzene, thinner, etc., or any abrasive cleansers to clean the air conditioner; they may damage the finish.
- Never pour water onto or into the air conditioner. It could damage internal components and create a shock and fire hazard.



## CLEANING THE AIR FILTER

The air filter should be cleaned every two weeks; depending on indoor air quality, more frequent cleaning may be needed. A dirty air filter will decrease airflow and reduce efficiency.

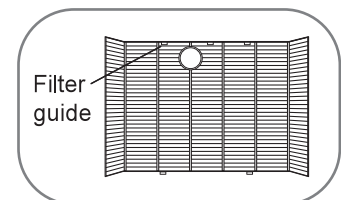
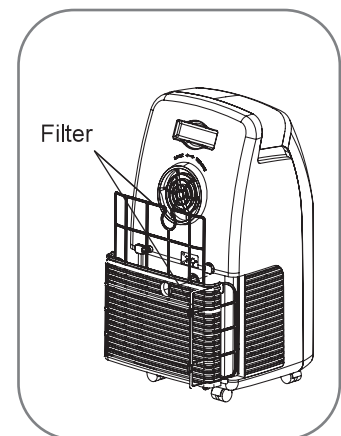
**Do not operate the air conditioner without the air filter in place.**

- 1 Lift out the air filter by the handle.
- 2 Use a vacuum cleaner to clean the filter. If the filter is heavily soiled, it can be washed in warm water using a mild detergent.

**Do not use harsh cleaners or very hot water.**  
**Do not wash in a dishwasher.**

- 3 Allow the filter to dry completely before reinstalling.
- 4 Reinsert the filter.

**NOTE** When it is assembled wrong filter and filter guide, Occurs gap between filter case and unit.



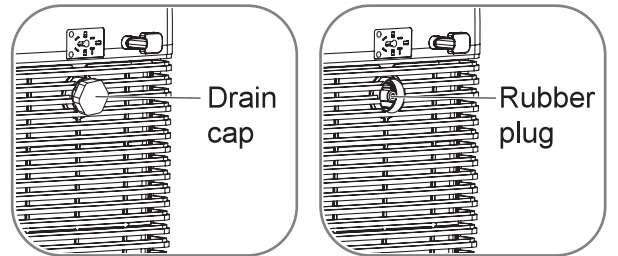
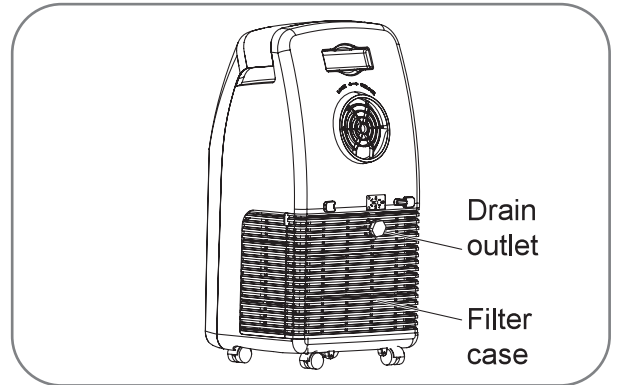


## EMPTYING THE WATER COLLECTION TANK

When the internal water collection tank is full, **FL** will appear in the display and the air conditioner will turn off until the tank is emptied.

### *USING THE DRAIN OUTLET*

- 1 Unplug the air conditioner, disconnect the exhaust hose from the back, and move the air conditioner to a suitable drain location or outdoors. You may also place a pan under the drain that will hold up to 1.3 pints of water.
- 2 Remove the drain cap and the rubber plug from the drain outlet.
- 3 Once the water collection tank is drained, reinstall the rubber plug and the drain cap, making sure it is on securely.
- 4 Place the air conditioner in the desired location, reconnect the exhaust hose, and plug in the air conditioner.



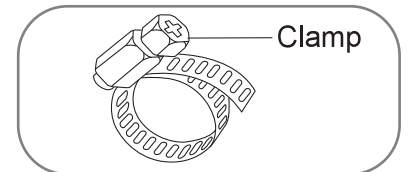
**NOTE** When operating or draining water always protect carpeting or floors from possible water spillage

When you do drain the water, it can be wet on the floor or Unit, then you should wipe with dry cloth or towel.

### *USE OF A DRAIN HOSE WHEN USING THE DRY MODE*

- 1 If you wish to use the DRY mode because the unit is running in high humidity or for other reasons, remove the drain cap and rubber plug from the back of the unit.
- 2 Purchase and install a drain hose (1/2" inside diameter) on the back of the unit and place the open end of the hose in a suitable drain location or outdoors.

**NOTE** It is recommended to fasten the drain hose with clamp to secure not drain water leak.  
You have to remove the filter case when fasten the clamp.



### **NOTE** *FL APPEARS IN THE DISPLAY*

The water collection tank is full. Drain the tank and restart the air conditioner.

**NOTE:** When turned on after being unplugged, the air conditioner will automatically reset to COOL mode, with a temperature setting of 72°F.

# CARE AND CLEANING

## STORING THE AIR CONDITIONER

If the air conditioner will not be used for an extended period of time:

- 1 To drain the water collection tank completely, leave the bottom drain cap off long enough to allow any residual water to drain out. Once the tank is completely drained and no more water flows out, reinstall the drain cap and the rubber plug.
- 2 Remove and clean the filter, allow it to dry completely, then reinstall it.
- 3 Remove the batteries from the remote.
- 4 Store the air conditioner in a cool, dry location, away from direct sunlight, extreme temperatures, and excessive dust.

Before using the air conditioner again:

- 1 Make sure the filter , drain cap and rubber plug are in place
- 2 Check the power cord to make sure it is in good condition, with no cracks or damage.
- 3 Place new batteries in the remote.
- 4 Install the air conditioner as described in the Installation Instructions.

## BEFORE CALLING FOR SERVICE

Before you call for service, review this list. It may save you time and expense. This list includes common occurrences that are not the result of a defect in workmanship or materials.

<i>Self Diagnosis</i>	<i>Possible Causes</i>	<i>What To Do</i>
Air conditioner does not start	The air conditioner is unplugged.	Make sure the air conditioner plug is pushed completely into the outlet.
	The fuse is blown/circuit breaker is tripped.	Check the house fuse/circuit breaker box and replace the fuse or reset the breaker.
	Power failure.	If a power failure occurs, turn the mode control to Off. When power is restored, wait 3 minutes to restart the air conditioner to prevent tripping of the compressor overload.
	The current interrupter device is tripped.	Press the <b>RESET</b> button located on the power cord plug. If the <b>RESET</b> button will not stay engaged, discontinue use of the air conditioner and contact a qualified service technician.
	<b>FL</b> appears in the display.	The water collection tank is full. Drain the tank and reset your settings.
	Room temperature is less than the set temperature.	This is normal. The air conditioner automatically shuts off when the room temperature equals or is less than the set temperature. Adjust the temperature setting, if needed.
Air conditioner does not cool as it should	Airflow is restricted.	Make sure there are no curtains, blinds, or furniture blocking the front of the air conditioner.
	The temp control may not be set correctly.	In <b>COOL</b> mode, decrease the temp by pressing ▼ button on the panel or remote control
	The air filter is dirty.	Clean the filter at least every 2 weeks. See the Care and Cleaning section.
	There is a heat source or too many people in the room.	Move any heat sources from room.
	The room may have been hot.	When the air conditioner is first turned on, you need to allow time for the room to cool down.
	Exhaust hose is not connected or is blocked.	Connect the hose and make sure it can function properly.
Air conditioner freezing up	The cooling coils are iced over.	Ice may block the air flow and obstruct the air conditioner from properly cooling the room. Set the mode control at <b>High Fan</b> or <b>High Cool</b> .
Air conditioner runs too often or too long	Area to be cooled is too large for the air conditioner.	Consult your dealer for the air conditioner capacity necessary to cool the desired area.
	Doors or windows are open.	Make sure doors and windows are closed.
Venting hose is hot	When the air conditioner is turn on and running long time vent hose become hot.	It is normal portable air conditioner makes hot air in condenser. So use the venting hose to remove hot air.

# TROUBLESHOOTING

## BEFORE CALLING FOR SERVICE

<i>Problem</i>	<i>Possible Causes</i>	<i>What To Do</i>
Air conditioner generates too much noise	The unit may seem rather load for the first 2 to 3 minutes when the unit is turn on.	This is the sound of the compressor starting-up and is perfectly normal.
	A soft, swishing noise can be heard immediately after the units is turned on or off, and also during operated	This is the sound of the refrigerant flowing inside the unit.
	An audible water splash sound may be heard when the unit operating low speed condition.	It is normal portable air conditioner makes sound for capacity up.
	The unit has a compressor like refrigerator.	It is normal portable air conditioner makes noise like refrigerator because it has a compressor.
Air conditioner generates abnormal noise	An audible gurgling sound may be heard when the unit is operated on a gently sloping floor.	Place the unit on a level floor.

<i>Self Diagnosis</i>	<i>Possible Causes</i>	<i>What To Do</i>
Code appears in the display. <b>F1,F2 or F3</b>	Air conditioner is in FAN mode and the number shown is the set fan speed.	This is normal. The air conditioner is working properly.
<b>FL</b>	The water collection tank is full.	Empty the water collection tank. See the EMPTYING THE WATER COLLECTION TANK (page23)
<b>CH01</b>	Short or open circuit in the indoor air thermistor.	Unplug the air conditioner and contact your authorized LG service center.
<b>CH02</b>	Short or open circuit in the indoor pipe thermistor.	Unplug the air conditioner and contact your authorized LG service center.

# LG PORTABLE AIR CONDITIONER LIMITED WARRANTY - USA

## WHAT THIS WARRANTY COVERS:

LG Electronics U.S.A., Inc. ("LG") warrants your LG Portable Air Conditioner ("product") against defect in materials or workmanship under normal household use, during the warranty period set forth below, LG will, at its option, repair or replace the product. This limited warranty is valid only to the original retail purchaser of the product, is not assignable or transferrable to any subsequent purchaser or user, and applies only when the product is purchased through an LG authorized dealer or distributor and used within the United States ("U.S.") including U.S. Territories.

**Note:** Replacement products and repair parts may be new or factory-remanufactured and are warranted for the remaining portion of the original unit's warranty period or ninety (90) days, whichever is longer. Please retain dated receipt or delivery ticket as evidence of the Date of Purchase for proof of warranty (you may be required to submit a copy to LG or authorized representative).

## WARRANTY PERIOD:

**1 year** from the Date of Purchase: **Any internal/ functional Parts and Labor.**

## HOW SERVICE IS HANDLED: In-Home Service

In-home service will be provided during the warranty period subject to availability within the United States. In-home service may not be available in all areas. To receive in-home service, the product must be unobstructed and accessible to service personnel. If during in-home service repair cannot be completed, it may be necessary to remove, repair and return the product. If in-home service is unavailable, LG may elect, at our option, to provide for transportation of our choice to and from a LG authorized service center.

## THIS LIMITED WARRANTY DOES NOT COVER:

1. Service trips to deliver, pick up, or install the product or for instruction on product use.
2. Replacing house fuses or resetting of circuit breakers, correction of house wiring or plumbing, or correction of product installation.
3. Damage or failure caused by leaky/ broken/ frozen water pipes, restricted drain lines, inadequate or interrupted water supply or inadequate supply of air.
4. Damage or failure caused by accidents, pests and vermin, lightning, wind, fire, floods or acts of God.
5. Damage or failure resulting from misuse, abuse, improper installation, repair or maintenance. Improper repair includes use of parts not approved or specified by LG.
6. Damage or failure caused by unauthorized modification or alteration to the product.
7. Damage or failure caused by incorrect electrical current, voltage, or plumbing codes.
8. Cosmetic damage, including scratches, dents, chips or other damage to the finish of the product, unless such damage results from defects in materials or workmanship and is reported to LG within seven (7) calendar days from the date of delivery.
9. Damage or missing items to any display, open box, discounted, or refurbished product.
10. Product where the original factory serial numbers have been removed, defaced or changed in any way.
11. Repairs when product is used in other than normal and usual household use (e.g. rental, commercial use, offices, or recreational facilities) or contrary to the instructions outlined in the owner's manual.
12. The removal and reinstallation of the Product if it is installed in an inaccessible location.

**THIS WARRANTY IS IN LIEU OF ANY OTHER WARRANTY, EXPRESS OR IMPLIED, INCLUDING AND WITHOUT LIMITATION TO, ANY WARRANTY OF MERCHANTABILITY OR FITNESS FOR A PARTICULAR PURPOSE. TO THE EXTENT ANY IMPLIED WARRANTY IS REQUIRED BY LAW, THIS WARRANTY IS LIMITED IN DURATION TO THE TERM PERIOD EXPRESSED ABOVE. REPAIR OR REPLACEMENT AS PROVIDED UNDER THIS WARRANTY IS THE EXCLUSIVE REMEDY FOR THE CUSTOMER. NEITHER THE MANUFACTURER NOR ITS U.S. DISTRIBUTOR SHALL BE LIABLE FOR ANY INCIDENTAL, CONSEQUENTIAL, INDIRECT, SPECIAL, OR PUNITIVE DAMAGES OF ANY NATURE, INCLUDING AND WITHOUT LIMITATION TO, LOST REVENUES OR PROFITS, OR ANY OTHER DAMAGE, WHETHER BASED IN CONTRACT, TORT, OR OTHERWISE.**

**SOME STATES DO NOT ALLOW THE EXCLUSION OR LIMITATION OF INCIDENTAL OR CONSEQUENTIAL DAMAGES OR LIMITATIONS ON HOW LONG AN IMPLIED WARRANTY LASTS, SO THE ABOVE EXCLUSION OR LIMITATION MAY NOT APPLY TO YOU. THIS WARRANTY GIVES YOU SPECIFIC LEGAL RIGHTS AND YOU MAY ALSO HAVE OTHER RIGHTS THAT VARY FROM STATE TO STATE.**

## HOW TO OBTAIN WARRANTY SERVICE & ADDITIONAL INFORMATION:

Call 1-800-243-0000 or visit our website at [www.lg.com](http://www.lg.com).

**Mail to:** LG Customer Information Center (ATTN: CIC)  
201 James Record Road, Huntsville, AL 35824



LG ELECTRONICS, INC.  
1000 Sylvan Ave., Englewood Cliffs, NJ 07632

LG Customer Information Center

1-800-243-0000

Register your product Online!

[www.lg.com](http://www.lg.com)