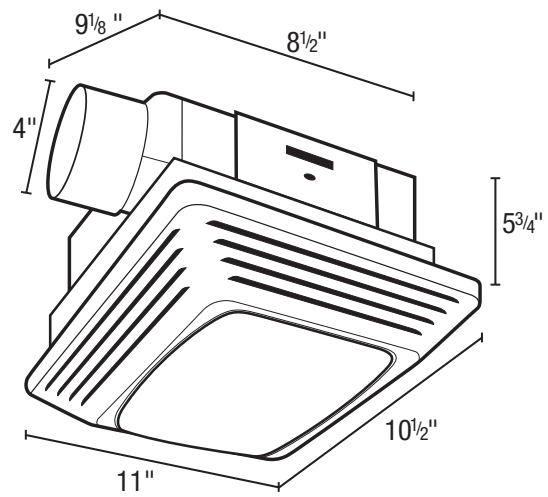




**SPECIFICATIONS**  
**BFQL120**  
 EXHAUST FAN WITH LIGHT

**HVI** 2100  
 CERTIFIED **120 CFM/4.5 Sones @ 0.10" SP.**

- **Grill**  
 White polymeric grill secured in place via screw mounting through the light housing, dimensions - 11" x 10 1/2".
- **Light Lens**  
 High impact polycarbonate lens, secured in position using integral tabs; easily removed if necessary.
- **Blower Wheel**  
 One piece polymeric wheel 5 1/8" diameter, 2 3/8" wide, with 48 fins.
- **Motor**  
 Heavy duty, permanently split capacitor, plug-in, 4 pole motor, life time lubrication, thermally protected, suitable for continuous operation. Rated 120 volts, 60 hz
- **Fan Housing**  
 PC/ABS polymeric, dimensions 8 1/2" x 9 1/8" x 5 3/4".
- **Duct Collar**  
 Plastic collar for 4" duct connection, comes complete with built in non-metallic back draft damper for quiet operation.
- **Lighting**  
 LED Lamp rated 6 Watt 450 Lumens 75 Lumens/Watt
- **Ventilating Area**  
 For bathrooms up to 120 sq. ft. for other rooms up to 150 sq. ft.
- **Single Pack Shipping Info**  
 Box Dim: 11 1/2" x 13 1/4" x 9 1/2"



**Acceptable for use over tub or shower when installed in a GFCI protected branch circuit.**

- **Unit Mounting**  
 Rated for ceilings insulated to R-40. Designed to mount in ceilings with at least 6" of clearance. The unit is mounted directly to the joist using a separate lock-in bracket (included with unit). The housing will mount through drywall thickness up to 3/4", with a rough-in opening of 8 1/2" x 9 1/8".

**EXPANDED PERFORMANCE**

	Static Pressure (inches of w.g.)							Sones @ .1 SP	Fan Speed RPM	Maximum Fan Watts	Amps
	0	0.1	0.125	0.15	0.2	0.25	0.375				
<b>Air Flow - CFM</b>	124	120	119	118	116	114	109	4.5	2016	99.2	0.8

<b>PROJECT</b>				<b>ARCHITECT</b>					
<b>LOCATION</b>				<b>ENGINEER</b>					
<b>CONTRACTOR</b>				<b>SUBMITTED BY</b>			<b>DATE</b>		
FAN NUMBER	MODEL NUMBER	CFM	IN W.G.	RPM	WATTS	AMPS	SONES	QTY	OPTIONAL EQUIPMENT & REMARKS



**U.S.:** 820 Lincoln Avenue  
 West Chester, Pennsylvania 19380-4466  
 Tel: (610) 692-7400 • 877-304-3785  
 Fax: (610) 696-8048

**Canada:**  
 Brampton, Ontario  
 Tel: 905-456-2033  
 Fax: (905) 456-1015