



# Submittal Sheet

## Part Description:

15" X 15" Square Gable Vent, Cut Open  
12.25" x 12.5"

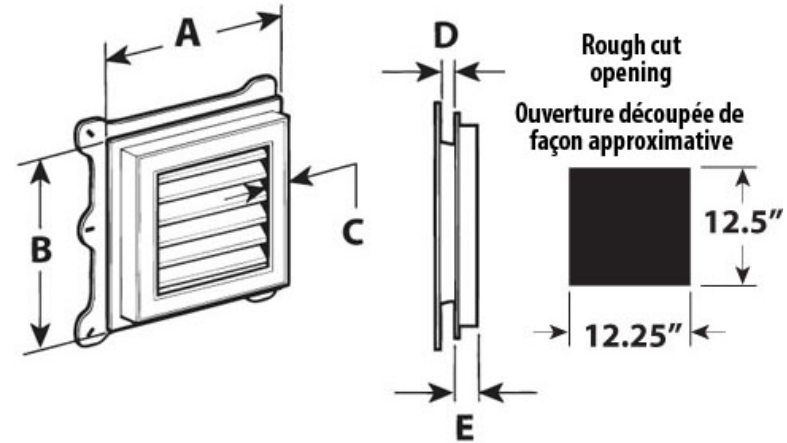
## Part Number:

626043-00

Approvals and Listings maintained by:  
**Canplas Industries Ltd**  
Canada: 1-800-461-5300 USA: 1-888-461-5307



**Net free area: 37 sq-in.**  
**37 po<sup>2</sup> de surface libre nette**



Part #	Part UPC	Colour	Size (inches)	Ctn Qty	Ctn Bar Code	Ctn. Wt (Kgs)	Ctn. Wt (lbs)	Skid Cubic (m)	Skid Cubic (ft)	Ctns/Skid
626043-00	662671624703	WHITE		7	10662671624700	7.08	15.61	1.09	38.61	12

### Dimensions (inches)

A	B	C	D	E	F	G
15.15	15.15	1.50	0.80	1.36	12.25	12.5