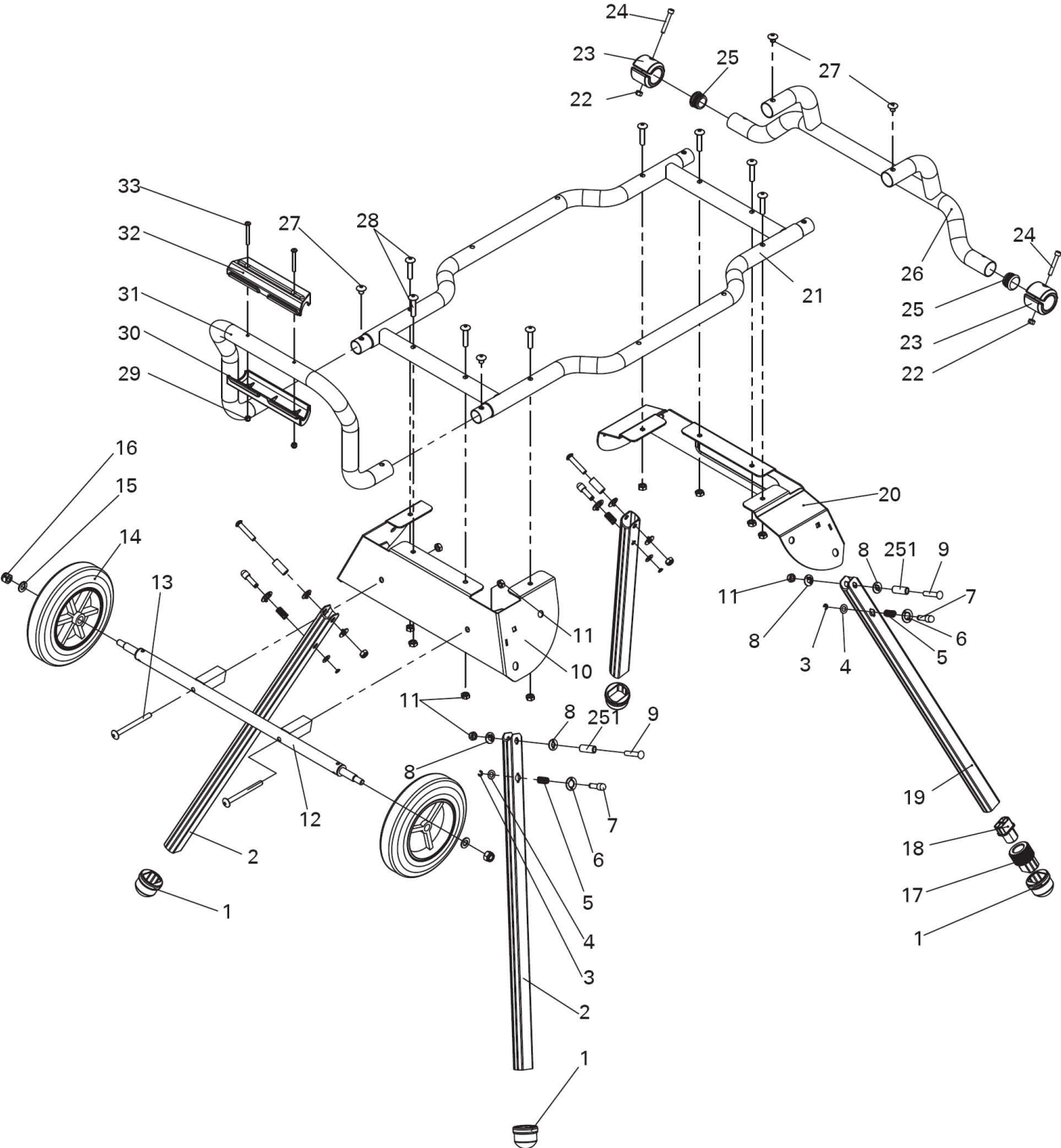


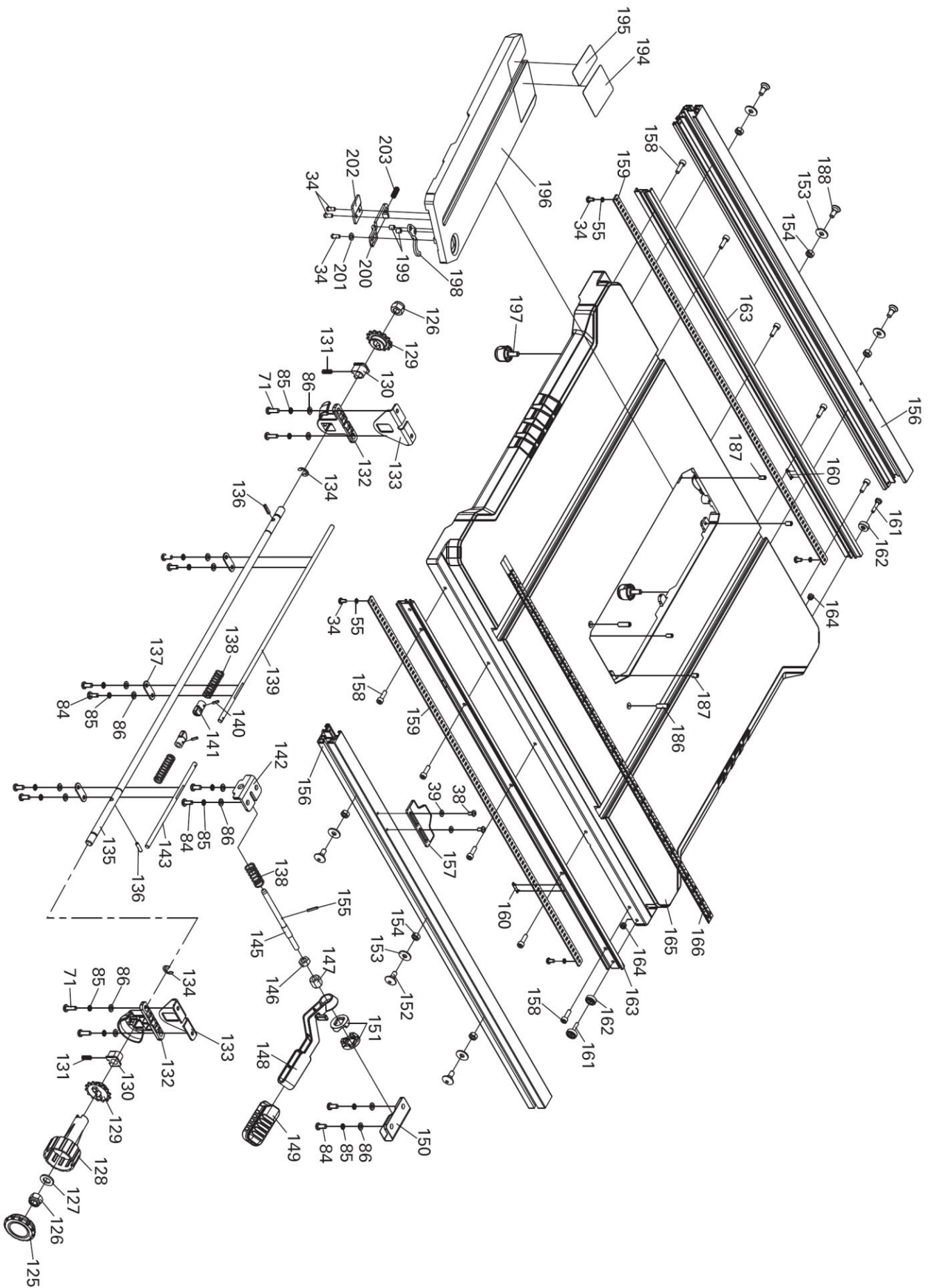
Hitachi Power Tools

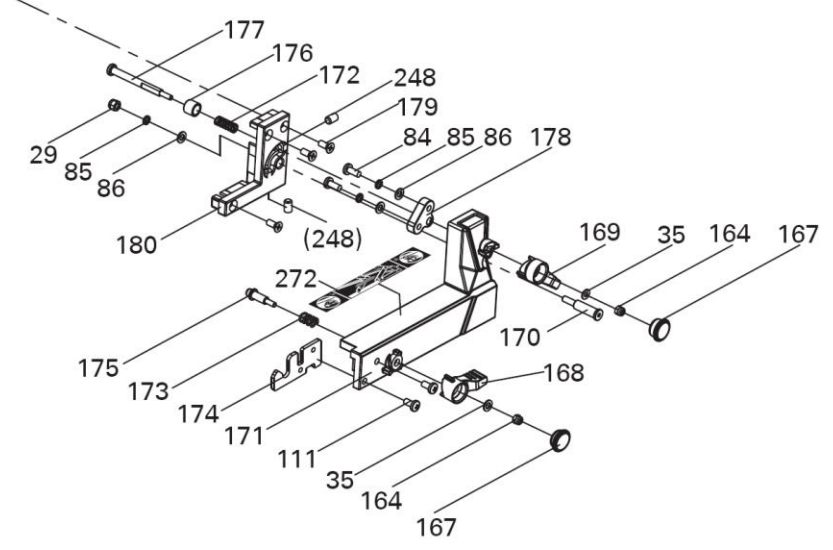
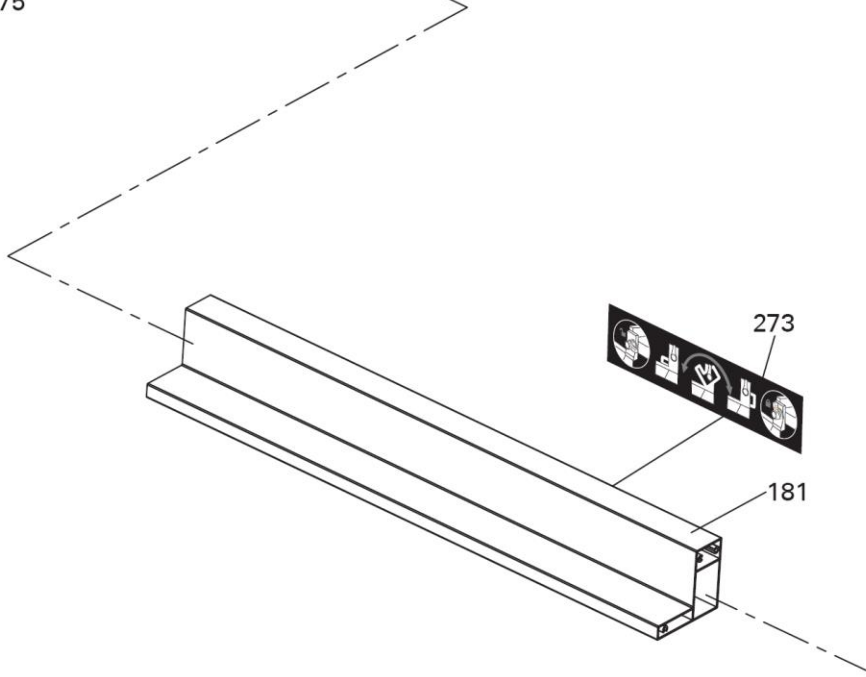
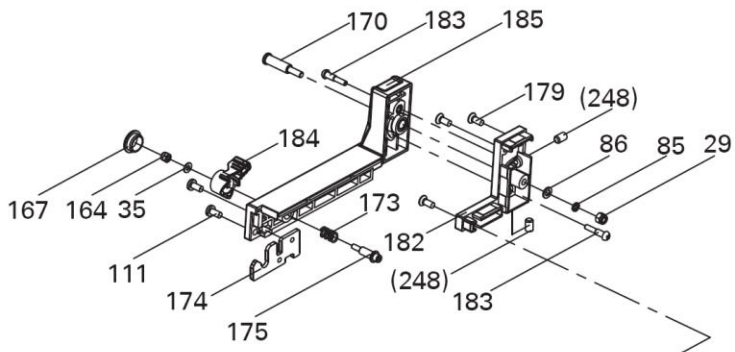
ELECTRIC TOOL PARTS LIST

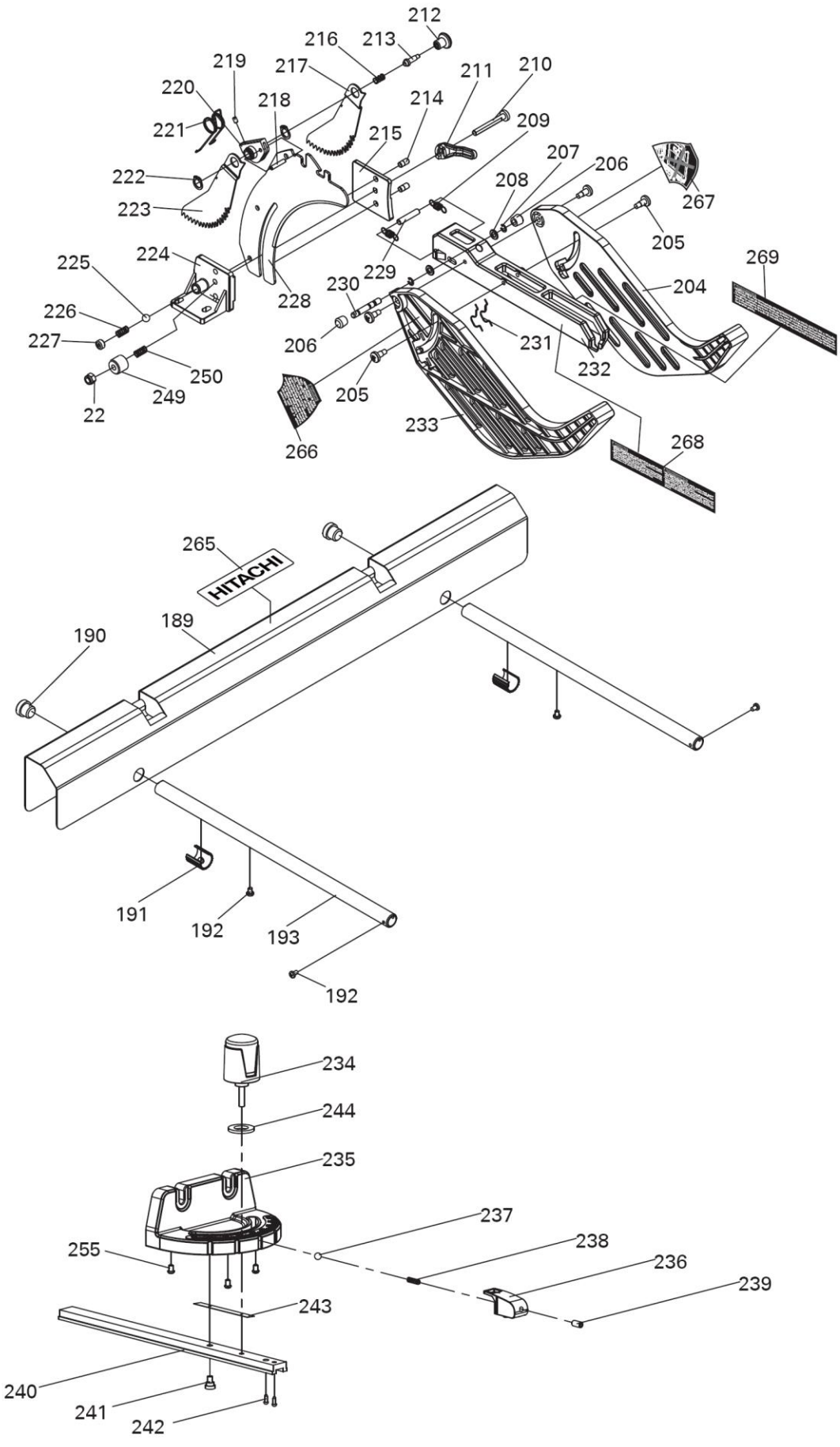
■ 10" JOBSITE TABLE SAW
Model C 10RJ

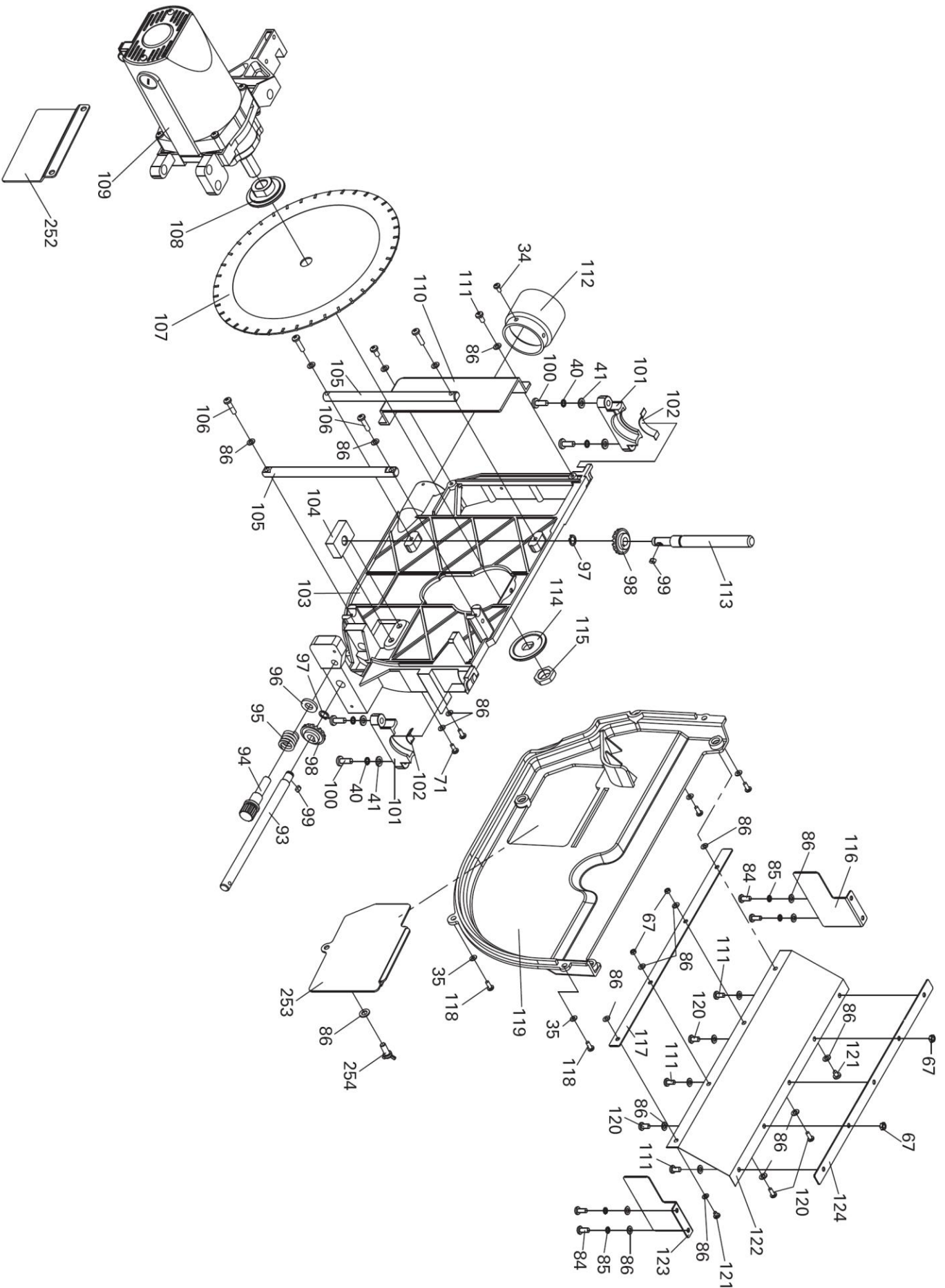
2016 • 03 • 17
(E1)

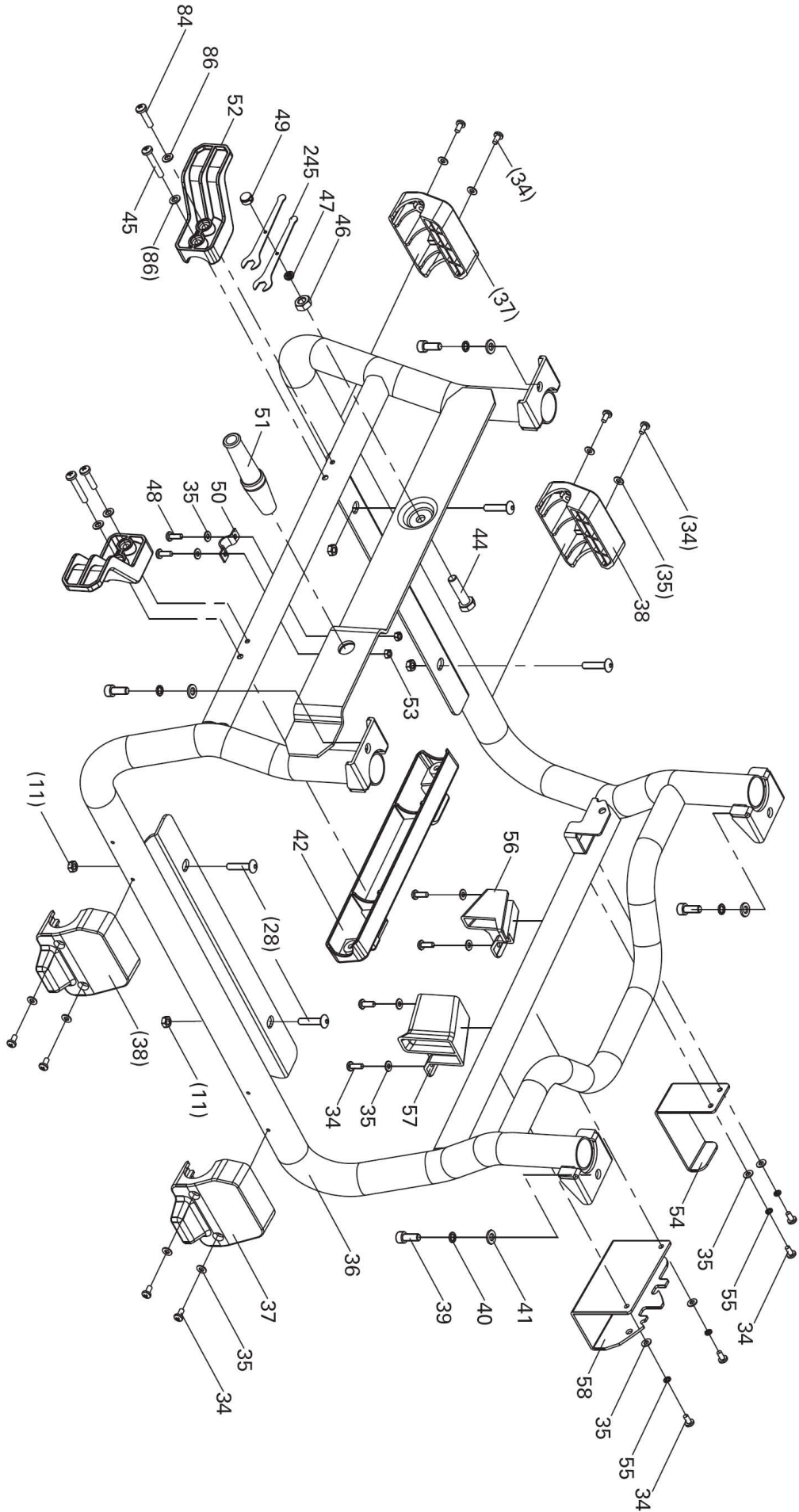


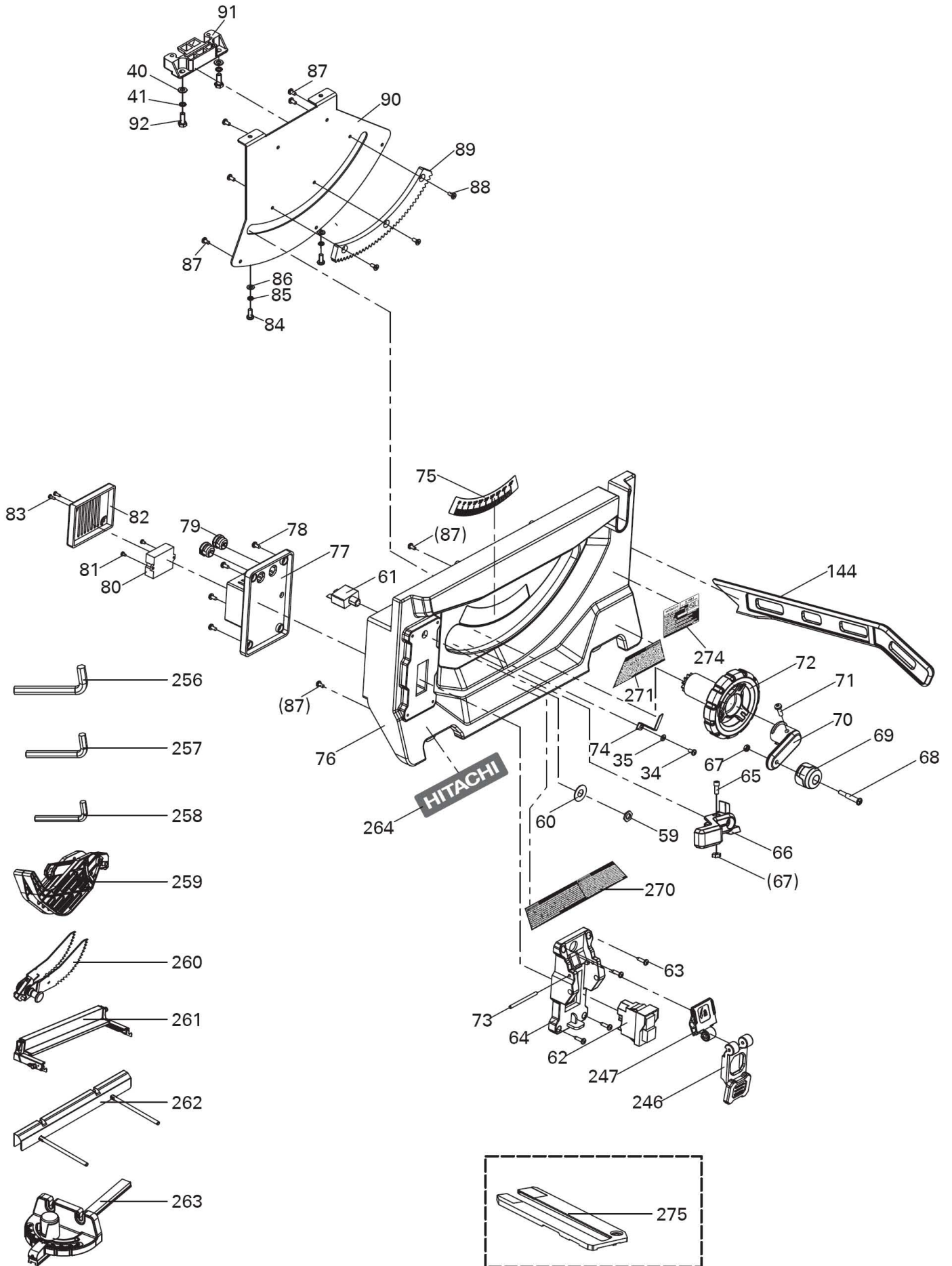












PARTS

C10RJ

ITEM NO.	CODE NO.	DESCRIPTION	NO. USED	REMARKS
1	371390	Stand foot	4	
2	371391	Stand leg (A)	3	
3	371392	Split washer	4	
4	371393	Flat Washer 8	4	
5	371394	Spring	4	
6	371395	Friction pad 13	4	
7	371396	Stop pin	4	
8	371397	Friction pad 8	8	
9	371398	Bolt	4	
10	371399	Support plate assembly (A)	1	
11	371400	Lock nut M8	18	
12	371401	Wheel shaft assembly	1	
13	371402	Hexagon lobular socket pan head screw M8 x 90	2	
14	371403	Wheel	2	
15	371404	Flat Washer 10	2	
16	371405	Lock nut M10	2	
17	371406	Adjustable foot (B)	1	
18	371407	Adjustable foot (A)	1	
19	371408	Adjustable leg	1	
20	371409	Support plate assembly (B)	1	
21	371410	Horizontal support tube assembly M6 x 40	1	
22	371411	Lock nut M6	3	
23	371412	Footing	2	
24	371413	Hexagon socket cap screws M6 x 40	2	
25	371414	End cap	2	
26	371415	Handle assembly	1	
27	371416	Hexagon lobular socket pan head screw M8 x 12	4	
28	371417	Hexagon lobular socket pan head screw M8 x 45	8	
29	371418	Lock nut M5	4	
30	371419	Support pad (B)	1	
31	371420	Support tube assembly	1	
32	371421	Support pad (A)	1	
33	371422	Cross pan head screw M5 x 45	2	
34	371423	Cross pan head screw M4 x 8	25	
35	371424	Flat Washer 4	26	
36	371425	Frame assembly	1	
37	371426	Footing (A)	2	
38	371427	Footing (B)	2	
39	371428	Hexagon socket cap screws M6 x 16	4	
40	371429	Spring washer 6	10	
41	371430	Flat Washer 6	10	
42	371431	Miter gauge storage	1	
44	371432	Hexagon bolt M8 x 30	2	
45	371433	Cross pan head screw M5 x 40	1	
46	371434	Hex nut M8	1	
47	371435	Holder for blade	2	
48	371436	Cross pan head screw M4 X 12	1	
49	371437	Locking knob	1	
50	371438	Wire clip	1	
51	371439	Anti-flex bushing	1	
52	371440	Cord warp	2	
53	371441	Hex nut M4	2	
54	371442	Blade guard storage (B)	1	
55	371443	Spring washer 4	8	
56	371444	Push sticker storage (A)	1	
57	371445	Push sticker storage (B)	1	
58	371446	Blade guard storage (A)	1	
59	371447	Nut for overload protection	1	
60	371448	Label for overload protection	1	
61	371449	Overload protection	1	
62	371450	Switch	1	
63	371451	Cross recessed pan head tapping screw ST4.2 x 16	4	
64	371452	Switch panel	1	

Parts

C10RJ

ITEM NO.	CODE NO.	DESCRIPTION	NO. USED	REMARKS
65	371453	Hexagon socket head cap screws M5 x 12	1	
66	371454	Locking handle	1	
67	371455	Hex nut M5	4	
68	371456	Bolt	1	
69	371457	Knob	1	
70	371458	Rotation lever	1	
71	371459	Cross pan head screw M5 x 16	7	
72	371460	Rotation wheel	1	
73	371461	Rotation pin	1	
74	371462	45° Pointer	1	
75	371463	Bevel label	1	
76	371464	Front panel	1	
77	371465	Switch cover	1	
78	371466	Cross recessed pan head tapping screw ST3.9 x 9.5	4	
79	371467	Strain relief bushing	2	
80	371468	Soft start	1	
81	371469	Cross recessed pan head tapping screw ST2.9 x 6.5	2	
82	371470	Cover for soft start	1	
83	371471	Cross recessed pan head tapping screw ST2.9 x 9.5	2	
84	371472	Cross pan head screw M5 x 12	20	
85	371473	Spring washer 5	24	
86	371474	Flat Washer 5	50	
87	371475	Cross recessed pan head tapping screw ST4.2 x 9.5	7	
88	371476	Cross pan head screw M4 x 10	3	
89	371477	Angle adjusting base	1	
90	371478	Back plate	1	
91	371479	Holder (B)	2	
92	371480	Hexagon bolt M6 x 16	2	
93	371481	Up and down adjusting rod (A)	1	
94	371482	Compression screw rod	1	
95	371483	Compression spring	1	
96	371484	Washer	1	
97	371485	Washer on shaft	2	
98	371486	Bevel gear	2	
99	371487	A type Key	2	
100	371488	Cross pan head screw M6 x16	4	
101	371489	Holder (A)	2	
102	371490	Spacer shim	2	
103	371491	Trunnion	1	
104	371492	Adjusting seat	1	
105	371493	Guide pillar	2	
106	371494	Cross pan head screw M5 x 20	4	
107	371495	Blade	1	
108	371496	Blade inner flange	1	
109	371497	Motor	1	
110	371498	Cover plate	1	
111	371499	Cross pan head screw M5 x 10	9	
112	371500	Dust port	1	
113	371501	Up and down adjusting rod (B)	1	
114	371502	Blade outer flange	1	
115	371503	Arbor nut	1	
116	371504	Lower protection guard (A)	1	
117	371505	Lower protection dead plate (A)	1	
118	371506	Cross pan head screw M4 x 10	4	
119	371507	Trunnion protection guard	1	
120	371508	Cross pan head screw M5 x 8	4	
121	371509	Cross recessed pan head tapping screw ST4.8 x 9.5	2	
122	371510	Lower protection	1	
123	371511	Lower protection guard (B)	1	
124	371512	Lower protection dead plate (B)	1	
125	371513	Knob cover	1	
126	371514	Hex nut M10	2	
127	371515	Flat Washer 10	1	
128	371516	Rotation knob	1	
129	371517	Adjusting gear	2	

Parts

C10RJ

ITEM NO.	CODE NO.	DESCRIPTION	NO. USED	REMARKS
130	371518	Adjusting support seat (C)	2	
131	371519	Adjusting spring	2	
132	371520	Adjusting support seat (B)	2	
133	371521	Adjusting support seat (A)	2	
134	371522	Split washer	2	
135	371523	Adjusting rod	1	
136	371524	Spring pin	2	
137	371525	Clamp	2	
138	371526	Compression spring	3	
139	371527	Rear locking rod (B)	1	
140	371528	Spring pin	2	
141	371529	Slider (A)	2	
142	371530	Location-limited plate (B)	1	
143	371531	Rear locking rod (A)	1	
144	371532	Push sticker	1	
145	371533	Front locking rod	1	
146	371534	Hex nut M8	1	
147	371535	Longer nut M8 (B)	1	
148	371536	Locking lever	1	
149	371537	Sheath for locking lever	1	
150	371538	Location-limited plate (A)	1	
151	371539	Locking block	2	
152	371540	Positioning screw (B)	3	
153	371541	Big flat washer 6	6	
154	371542	Hex nut M6	6	
155	371543	Spring pin	1	
156	371544	Sliding rail	2	
157	371545	Pointer	1	
158	371546	Hexagon socket head cap screws M5 x 16	10	
159	371547	Rack	2	
160	371548	Friction pad	2	
161	371549	Adjusting bolt	2	
162	371550	Adjusting wheel	2	
163	371551	Rail	2	
164	371552	Lock nut M4	4	
165	371553	Worktable	1	
166	371554	Scale label	1	
167	371555	Cover	2	
168	371556	Lever (left)	1	
169	371557	Locking piece	1	
170	371558	Rotation bolt	2	
171	371559	Rip fence holder base (left)	1	
172	371560	Spring	1	
173	371561	Locking spring	2	
174	371562	Fixing plate	2	
175	371563	Locating pin	2	
176	371564	Pin shaft	1	
177	371565	clamping bush	1	
178	371566	Fixing plate	1	
179	371567	Cross recessed countersunk head screw M5 x 12	6	
180	371568	End cap (left)	1	
181	371569	Rip fence	1	
182	371570	End cap (right)	1	
183	371571	Cross recess head screw M5 x 20	2	
184	371572	Lever (right)	1	
185	371573	Rip fence holder base (right)	1	
186	371574	Hexagon socket bolt M6 x 20	2	
187	371575	Hexagon socket bolt M5 x 10	4	
188	371576	Position screw (A)	3	
189	371577	Extension table	1	
190	371578	M14 hexagon socket screw	2	
191	371579	Stop collar	2	
192	371580	Cross pan head screw M4 x 6	4	

Parts

C10RJ

ITEM NO.	CODE NO.	DESCRIPTION	NO. USED	REMARKS
193	371581	Extension rod	2	
194	371582	Base plate A	1	
195	371583	Base plate B	1	
196	371584	Table insert	1	
197	371585	Knob	2	
198	371586	Latch plate (B)	1	
199	371587	Cylindrical pin	2	
200	371588	Latch plate (A)	1	
201	371589	Big flat washer 4	1	
202	371590	Rear pressing plate	1	
203	371591	Spring	1	
204	371592	Right blade guard	1	
205	371593	Bolt	4	
206	371594	Latch cap	2	
207	371595	Split washer	2	
208	371596	Flat Washer	2	
209	371597	Spring	2	
210	371598	Special bolt	1	
211	371599	Eccentric hand	1	
212	371600	Knob	1	
213	371601	Latch	1	
214	371602	Cylindrical pin	2	
215	371603	Cam pressing plate	1	
216	371604	Compressing spring (A)	1	
217	371605	Anti-kick back pawl(A)	1	
218	371606	Spring pin	1	
219	371607	Hexagon socket set screw with flat point M4 x 6	1	
220	371608	Supporting seat	1	
221	371609	Anti-kick back pawl spring	1	
222	371610	Washer on shaft	2	
223	371611	Anti-kick back pawl (A)	1	
224	371612	Fixing holder	1	
225	371613	Steel ball	1	
226	371614	Spring	1	
227	371615	Hexagon socket set screw with flat point	1	
228	371616	Riving knife	1	
229	371617	Stop pin	1	
230	371618	Sliding detent	1	
231	371619	Snap spring	2	
232	371620	Blade guard supporting seat	1	
233	371621	Left blade guard	1	
234	371622	Handle for miter gauge	1	
235	371623	Miter gauge	1	
236	371624	Pointer	1	
237	371625	Steel ball	1	
238	371626	Pointer spring	1	
239	371627	Hexagon socket set screw with flat point M6 x 12	1	
240	371628	Bar for miter gauge	1	
241	371629	Bolt (A)	1	
242	371630	Cross recessed pan head tapping screw	2	
243	371631	Adjusting shim	1	
244	371632	Big flat washer	1	
245	371633	Blade wrench	2	
246	371634	Switch flap	1	
247	371635	Switch lock	1	
248	371636	Hexagon socket set screw with flat point M5 x 8	4	
249	371637	Clamping bush	1	
250	371638	Spring	1	
251	371639	Leg stop collar	4	
252	371640	Blade protection plate	1	
253	371641	Small baffle	1	
254	371642	Thumbscrew M5 x 12	1	
255	371643	Friction pad	3	

