

IMPORTANT:
Read Before Using

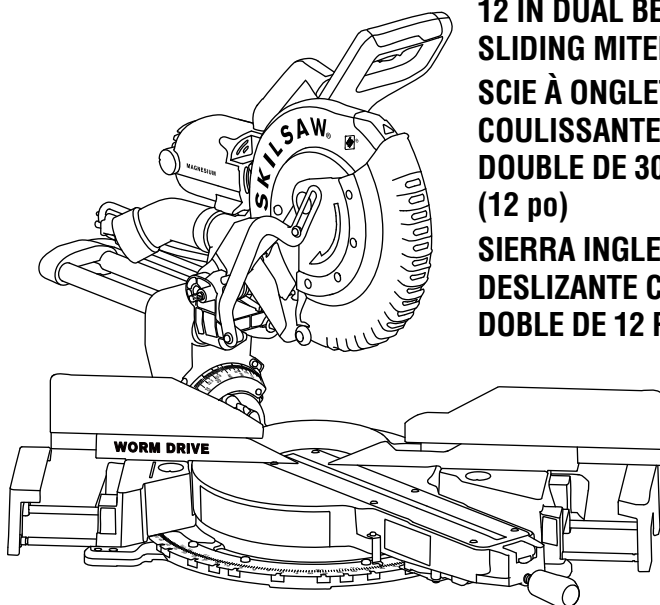
IMPORTANT :
Lire avant usage

IMPORTANTE:
Leer antes de usar



Operating/Safety Instructions
Consignes de fonctionnement/sécurité
Instrucciones de funcionamiento y seguridad

SPT88



**12 IN DUAL BEVEL
SLIDING MITER SAW
SCIE À ONGLET
COULISSANTE À BISEAU
DOUBLE DE 30 cm
(12 po)
SIERRA INGLETADORA
DESLIZANTE CON BISEL
DOBLE DE 12 PULGADAS**



**Call Toll Free for
Consumer Information
& Service Locations**

**Pour obtenir des informations
et les adresses de nos centres
de service après-vente,
appelez ce numéro gratuit**

**Llame gratis para
obtener información
para el consumidor y
ubicaciones de servicio**

1-877-SKIL999 (1-877-754-5999) www.skilsaw.com

**For English Version
See page 2**





**Version française
Voir page 17**

**Versión en español
Ver la página 32**

Table of Contents

	Page		Page
Safety Symbols	2	Mounting the Saw.....	24
General Safety Rules for Benchtop Tools	3-7	Saw Operations	25-35
Additional Safety Rules	8-9	Switch.....	25
Operator's Glossary Of Terms	10-11	Body And Hand Positions.....	25
Getting To Know Your Miter Saw	12-14	Led Shadowlight.....	26
Assembly	15-17	Installing The Work Clamp	27
Unpacking And Checking Contents.....	15	Slide Cut.....	27
Tools Needed For Assembly And		Miter System.....	28-35
Alignment.....	15	Maintenance And Lubrication	36-37
Installation Of Miter-Lock Knob	16	Gear Lubrication.....	36
Removal And Installation Of The Blade..	16	Carbon Brushes.....	36
Using Carbide-Tipped Blades.....	17	Troubleshooting.....	37
Adjustments	17-21		
Bevel Square To Table Adjustment.....	17		
Adjusting Bevel-Scale Pointers	18		
Bevel Stop 45° Right And Left Adjustment			
.....	18		
Miter-System Adjustment	19		
Depth-Of-Cut Adjustment	20-21		
Transporting And Mounting	22-24		
Transporting	22-23		
Preparing to Lift the Saw	23		

Safety Symbols

The definitions below describe the level of severity for each signal word. Please read the manual and pay attention to these symbols.	
	This is the safety alert symbol. It is used to alert you to potential personal injury hazards. Obey all safety messages that follow this symbol to avoid possible injury or death.
	DANGER indicates a hazardous situation which, if not avoided, will result in death or serious injury.
	WARNING indicates a hazardous situation which, if not avoided, could result in death or serious injury.
	CAUTION, used with the safety alert symbol, indicates a hazardous situation which, if not avoided, will result in minor or moderate injury.

General Power Tool Safety Warnings

⚠ WARNING Read all safety warnings, instructions, illustrations, and specifications provided with this power tool. Failure to follow all instructions listed below may result in electrical shock, fire and/or serious injury.

Save all warnings and instructions for future reference

The term "power tool" in the warnings refers to your mains-operated (corded) power tool or battery-operated (cordless) power tool

Work area safety

Keep work area clean and well lit. Cluttered benches or dark areas invite accidents.

Do not operate power tools in explosive atmospheres, such as in the presence of flammable liquids, gases or dust. Power tools create sparks which may ignite the dust or fumes.

Keep children and bystanders away while operating a power tool. Distractions can cause you to lose control.

Electrical Safety

Power tool plugs must match the outlet. Never modify the plug in any way. Do not use any adapter plugs with earthed (grounded) power tools. Unmodified plugs and matching outlets will reduce risk of electric shock.

Avoid body contact with earthed or grounded surfaces, such as pipes, radiators, ranges and refrigerators. There is an increased risk of electric shock if your body is earthed or grounded.

Do not expose power tools to rain or wet conditions. Water entering a power tool will increase the risk of electric shock.

Do not abuse the cord. Never use the cord for carrying, pulling or unplugging the power tool. Keep cord away from heat, oil, sharp edges or moving parts. Damaged or entangled cords increase the risk of electric shock.

When operating a power tool outdoors, use an extension cord suitable for outdoor use. Use of a cord suitable for outdoor use reduces the risk of electrical shock.

If operating a power tool in a damp location is unavoidable, use a Ground Fault Circuit Interrupter (GFCI) protected supply. Use of an GFCI reduces the risk of electric shock.

Personal Safety

Stay alert, watch what you are doing and use common sense when operating a power tool. Do not use a power tool while you are tired or under the influence of drugs, alcohol, or medication. A moment of inattention while operating power tools may result in serious personal injury.

Use personal protective equipment. Always wear eye protection. Protective equipment such as dust mask, non-skid safety shoes, hard hat, or hearing protection used for appropriate conditions will reduce personal injuries.

Prevent unintentional starting. Ensure the switch is in the off-position before connecting to power source and/or battery pack, picking up or carrying the tool. Carrying power tools with your finger on the switch or energizing power tools that have the switch on invites accidents.

Remove any adjusting keys or wrench before turning the power tool ON. A wrench or a key attached to a rotating part of the tool may result in personal injury.

Do not overreach, keep proper footing and balance at all times. This enable better control of the power tool in unexpected situations.

Dress properly. Do not wear loose clothing or jewelry. Keep your hair, clothing and gloves away from moving parts. Loose clothes, jewelry or long hair can be caught in moving parts.

If devices are provided for the connection of dust extraction and collection facilities, ensure these are connected and properly used. Use of dust collection can reduce dust-related hazards.

Do not let familiarity gained from frequent use of tools allow you to become complacent and ignore tool safety principles. A careless action can cause severe injury within a fraction of a second.

General Power Tool Safety Warnings

Power Tool Use and Care

Do not force power tool. Use the correct power tool for your application. The correct tool will do the job better and safer at the rate for which it is designed.

Do not use power tool if switch does not turn it ON or Off. Any power tool that cannot be controlled with the switch is dangerous and must be repaired.

Disconnect the plug from the power source and/or remove the battery pack, if detachable, from the power tool before making any adjustments, changing accessories, or storing power tool. Such preventive safety measures reduce the risk of starting the tool accidentally.

Store idle power tools out of the reach of children and do not allow persons unfamiliar with the power tool or these instructions to operate the power tool. Power tools are dangerous in the hands of untrained users.

Maintain power tools and accessories. Check for misalignment or binding of moving parts, breakage of parts and any other condition that may affect the power tool's operation. If damaged, have the power tool repaired before use. Many accidents are caused by poorly maintained power tools.

Keep cutting tools sharp and clean. Properly maintained tools with sharp cutting edges are less likely to bind and easier to control.

Use of power tool, accessories and tool bits, etc. in accordance with these instructions, taking into account the working conditions and the work to be performed. Use of the power tool for operations different from those intended could result in hazardous situations.

Keep handles and grasping surfaces dry, clean, and free from oil and grease. Slippery handles and grasping surfaces do not allow for safe handling and control of the tool in hazardous situations.

Service

Have your power tool serviced by a qualified repair person using only identical replacement parts. This will ensure that the safety of the power tool is maintained.

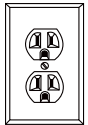
Motor Specifications

In the event of a malfunction or breakdown,

grounding provides a path of least resistance for electric current to reduce the risk of electric shock. This tool is equipped with an electric cord having an equipment-grounding conductor and a grounding plug. The plug must be plugged into a matching outlet that is properly installed and grounded in accordance with all local codes and ordinances. This saw is wired for operation on 110-120 volts, 60 Hz. alternating current. Before connecting the motor cord to a power source, make certain that the switch is in the "OFF" position and be sure that the electric current is of the same characteristics as that stamped on the table saw nameplate.

Connection to A Power Source

This machine must be grounded while in use to protect the operator from electric shock. Plug the power cord into a 110-120V properly grounded type outlet protected by a 15-amp dual-element time-delay fuse or circuit breaker. Not all outlets are properly grounded. If you are not sure that your outlet, as pictured on this page, is properly grounded; have it checked by a qualified electrician.



To avoid electric shock, do not touch the metal prongs on the plug when installing or removing the plug to or from the outlet. Failure to properly ground this power tool can cause electrocution or serious shock, particularly when used near metal plumbing or other metal objects. If shocked, your reaction could cause your hands to hit the tool.

If power cord is worn, cut or damaged in any way, have it replaced immediately to avoid shock or fire hazard.

Your unit is for use on 120 volts and is equipped with a 3-conductor cord and grounding type plug, approved by Underwriters Laboratories and the Canadian Standards Association. The ground conductor has a green jacket and is attached to the tool housing at one end and to the ground prong in the attachment plug at the other end.

If the outlet you are planning to use for this power tool is of the two-prong type, **DO NOT REMOVE OR ALTER THE GROUNDING PRONG IN ANY MANNER.** Have a qualified

General Power Tool Safety Warnings

electrician replace the TWO-prong outlet with a properly grounded THREE-prong outlet. Do not use any adapter plugs.

Improper connection of the equipment-grounding conductor can result in a risk of electric shock. The conductor with insulation having an outer surface that is green with or without yellow stripes is the equipment grounding conductor. If repair or replacement of the electric cord or plug is necessary, do not connect the equipment grounding conductor to a live terminal.

Check with a qualified electrician or service personnel if the grounding instructions are not completely understood, or if in doubt as to whether the tool is properly grounded.

Extension Cords

Replace damaged cords immediately. Use of damaged cords can shock, burn or electrocute.

Always use proper extension cords. Use only 3-wire extension cords which have 3-prong grounding type plugs and 3-pole receptacles which accept the tool's plug. If an extension cord is necessary, a cord with adequate size conductors should be used to prevent excessive voltage drop, loss of power or overheating. The table shows the correct size to use, depending on cord length and nameplate amperage rating of tool. If in doubt, use the next heavier gauge. Always use UL and CSA listed extension cords.

**RECOMMENDED SIZES OF EXTENSION CORDS
120 VOLT ALTERNATING CURRENT TOOLS**

Tool's Ampere Rating	Cord Size in A.W.G.				Wire Sizes in mm ²			
	Cord Length in Feet				Cord Length in Meters			
	25	50	100	150	15	30	60	120
3-6	18	16	16	14	0.75	0.75	1.5	2.5
6-8	18	16	14	12	0.75	0.75	2.5	4.0
8-10	18	16	14	12	0.75	0.75	2.5	4.0
10-12	16	16	14	12	1.0	2.5	4.0	—
12-16	14	12	—	—	—	—	—	—

NOTE: The smaller the gauge number, the heavier the cord.

⚠ WARNING Read all all instructions. Failure to follow the SAFETY RULES identified by BULLET (•) symbol listed BELOW, and other safety precautions, may result in serious personal injury.

SAVE THESE INSTRUCTIONS

Safety instructions for Miter Saws

Miter saws are intended to cut wood or wood-like products, they cannot be used with abrasive cut-off wheels for cutting ferrous materials such as bars, rods, studs, etc. Abrasive dust causes moving parts such as lower guard to jam. Sparks from abrasive cutting will burn the lower guard, the kerf insert and other plastic parts.

Use clamps to support workpiece whenever possible. If supporting the workpiece by hand, you must always keep hand at least 100 mm from either side of the saw blade. Do not use this saw to cut pieces that are too small to be securely clamped or held by hand. If your hand is placed too close to the saw blade, there is an increased risk of injury from blade contact.

The workpiece must be stationary and clamped or held against both the fence and the table. Do not feed the workpiece into the blade or cut "freehand" in any way. Unrestrained or moving workpieces could be thrown at high speeds, causing injury.

Push the saw through the workpiece. Do not pull the saw through the workpiece. To make a cut, raise the saw head and pull it out over the workpiece without cutting, start the motor, press the head down and push the saw through the workpiece. Cutting on the pull stroke is likely to cause the saw blade to climb on top of the workpiece and violently throw the blade assembly towards the operator.

Never cross your hand over the intended line of cutting either in front or behind the saw blade. Supporting the workpiece "cross handed" i.e. holding the workpiece to the right of the saw blade with your left hand or vice versa is very dangerous.

Do not reach behind the fence with either hand closer than 100 mm from either side of the saw blade, to remove wood scraps, or for any other reason while the blade is spinning. The proximity of the spinning saw blade to your hand may not be obvious and you may be seriously injured.

Inspect your workpiece before cutting. If workpiece is bowed or warped, clamp it

General Power Tool Safety Warnings

with the outside bowed face toward the fence. Always make certain that there is no gap between the workpiece, fence and table along the line of the cut. Bent or warped workpieces can twist or shift and may cause binding on the spinning saw blade while cutting. There should be no nails or foreign objects in the workpiece.

Do not use the saw until the table is clear of all tools, wood scraps, etc., except for the workpiece. Small debris or loose pieces of wood or other objects that contact the revolving blade can be thrown with high speed.

Cut only one workpiece at a time. Stacked multiple workpieces cannot be adequately clamped or braced and may bind on the blade or shift during cutting.

Ensure the miter saw is mounted or placed on a level, firm work surface before use. A level and firm work surface reduces the risk of the miter saw becoming unstable.

Plan your work. Every time you change the bevel or mitre angle setting, make sure the adjustable fence is set correctly to support the workpiece and will not interfere with the blade or the guarding system. Without turning the tool "ON" and with no workpiece on the table, move the saw blade through a complete simulated cut to assure there will be no interference or danger of cutting the fence.

Provide adequate support such as table extensions, saw horses, etc. for a workpieces that is wider or longer than the table top. Workpieces longer or wider than the miter saw table can tip if not securely supported. If the cut-off piece or workpiece tips, it can lift the lower guard or be thrown by the spinning blade.

Do not use another person as a substitute for a table extension or as additional support. Unstable support for the workpiece can cause the blade to bind or the workpiece to shift during the cutting operation, pulling you and the helper into the spinning blade.

The cut-off piece must not be jammed or pressed by any means against the spinning saw blade. If confined, i.e., using length stops, the cut-off piece could get wedged against the blade and thrown violently.

Always use a clamp or a fixture designed to properly support round material such as rods or tubing. Rods have a tendency to roll while being cut, causing the blade to "bite" and pull the work with your hand into the blade.

Let the blade reach full speed before contacting the workpiece. This will reduce the risk of the workpiece being thrown.

If the workpiece or blade becomes jammed, turn the miter saw off. Wait for all moving parts to stop and disconnect the plug from the power source and/or remove the battery pack. Then work to free the jammed material. Continued sawing with a jammed workpiece could cause loss of control or damage to miter saw.

After finishing the cut, release the switch, hold the saw head down and wait for blade to stop before removing the cut-off piece. Reaching with your hand near the coasting blade is dangerous.

Hold the handle firmly when making an incomplete cut or when releasing the switch before the saw head is completely in the down position. The braking action of the saw may cause the saw head to be suddenly pulled downward, causing a risk of injury.

Additional Warnings

Store idle tools out of reach of children and other untrained persons. Tools are dangerous in the hands of untrained users.

Do not leave tool running unattended; turn power off. Do not leave tool until it comes to a complete stop.

MAKE WORKSHOP CHILDPROOF WITH PAD LOCK, MASTER SWITCHES or by removing starter keys.

Before plugging in the tool, be certain the outlet voltage supplied is compatible with the voltage marked on the nameplate within 10%.. An outlet voltage incompatible with that specified on the nameplate can result in serious hazards and damage to the tool.

Do not stand on tool or its stand. Serious injury may occur if the tool is tipped or if the cutting tool is accidentally contacted. Do not store materials on or near the tool such that it is necessary to stand on the tool or its stand to reach them.

Do not use the power tool for purpose not intended - for example, do not use the miter saw for slicing meats.

Use clamps or other practical way to secure and support the workpiece to a stable platform. Holding the workpiece by hand or against your body is unstable. It allows for workpiece to shift, causes binding of the tool and loss of control.

When cutting irregularly shaped workpieces, plan your work so it will not slip and pinch the blade and be torn from your hand. A piece of molding, for example, must lie flat or be held by a fixture or jig that will not let it twist, rock or slip while being cut.

For chop-action cutting, move the head assembly to the rear as far as it will go and engage the mechanism lock. Then turn the saw "ON" and lower the head assembly to make the cut. Release the switch and wait for the blade to completely stop before raising the head assembly and removing the workpiece. Failure to lock the mechanism can cause the blade to suddenly climb up on the top of the workpiece and force itself toward you.

Do not operate the saw in the following range of miter and bevel combinations: left Bevel 45° to 47° PLUS Right Miter 46°

to 60°. These miter and bevel combinations may result in interference between the sliding and stationary parts of the saw or between the sliding parts and the work-piece – to make cut remove sliding fence and sliding fence lock knob.

Braking action of the saw causes the saw head to jerk downward. Be ready for this reaction when making an incomplete cut or when releasing the switch before the head is completely in the down position.

If blade does not stop within five (5) seconds, unplug the saw and follow the instructions in the Troubleshooting section.

To reduce risk of injury, use saw blade rated 4000/min (RPM) or greater.

Do not allow familiarity gained from frequent use of your miter saw to become commonplace. Always remember that a careless fraction of a second is sufficient to inflict severe injury.

Think Safety! Safety Is A Combination of Operator's Common Sense, Knowledge Of The Safety And Operating Instructions And Alertness At All Times When The Miter Saw Is Being Used.

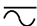








Always disconnect the power cord from the power source before transporting the miter saw. Unplug power cord, lower head assembly and lock into position by engaging the lock pin, use the carry handle included on the top of the saw arm and one of the hand indentations in the saw base

There are additional safety instructions for particular operations of the saw in the Saw Operations section. Read the rest of the manual for safe operation.

ADDITIONAL SAFETY RULES

SYMBOLS

Some of the following symbols may be used on this tool. Please study them and learn their meaning. Proper interpretation of these symbols will allow you to operate the tool better and more safely.

Symbol	Name	Designation/Explanation
ϕ	diameter	diameter
V	Volts	Voltage (potential)
A	Amperes	Current
Hz	Hertz	Frequency (cycles per second)
W	Watt	Power
	Alternating current	Type of current
	Direct current	Type or a characteristic of current
n_0	No-load speed	Rotational speed, at no load
	Class II construction	Double Insulated Construction
.../min	Per minute	Revolutions, strokes, surface speed, orbits, etc. per minute
	Wet conditions alert	Do not expose to rain or use in damp locations
	Read the operator's manual	To reduce the risk of injury, user must read and understand operator's manual before using this product.
	Eye protection	Always wear safety goggles or safety glasses with side shields and a full face shield when operating this product.
	Safety alert	Precautions that involve your safety.
	No hands symbol	Failure to keep your hands away from the blade will result in serious personal injury.
	Hot surface	To reduce the risk of injury or damage, avoid contact with any hot surface.

⚠ WARNING THE WARNINGS SHOWN BELOW CAN BE FOUND ON YOUR TOOL. THESE WARNINGS ARE ONLY A CONDENSED FORM OF THE MORE DETAILED SAFETY RULES AND PRECAUTIONS THAT APPEAR IN YOUR OWNER'S MANUAL. THEY SERVE AS A REMINDER OF ALL SAFETY RULES NEEDED FOR SAFE OPERATION OF THIS MITER SAW.

⚠ WARNING To reduce risk of injury, user must read instruction manual. Wear eye protection. Use saw blade rated 4000/min or greater. Do not use saw without functioning guard system. If guard doesn't operate smoothly, have it serviced. After changing blade return guard to operating position. Keep hands a safe distance from saw blade. Always keep outside of No-Harm zone. Disconnect saw from power source before servicing or changing blade. Never reach around or in the back of the saw blade. Hold or clamp workpiece against base and fence. Never perform any operation freehand. Do not Cross-Hand cut. Never place your hands or arms across the projected saw blade path. With motor OFF, make a Dry-Run to be aware of the blade's reach. After turning saw OFF, keep saw in the down position and wait for blade to stop before removing cutoff pieces or changing settings. To avoid electrical shock, do not expose to rain or use in damp locations. When servicing use only identical replacement parts. For bevel or compound cutting, adjust sliding fence clear of blade path and guard system.

⚠ FOR SLIDE ACTION CUTTING, ALWAYS FOLLOW THESE INSTRUCTIONS:

1. PULL saw carriage away from the fence, until blade clears the work-piece or to its maximum extension if blade can't clear the workpiece.
2. Turn saw "ON" and lower the saw to the blade.
3. PUSH saw thru the workpiece. Never "pull-cut" since blade may climb the workpiece causing KICKBACK.



⚠ POUR UNE COUPE LE LONG D'UN GLIDE, TOUJOURS SUIVRE CES INSTRUCTIONS:

1. TIRER le cadre de la scie hors du guide, jusqu'à ce que la lame sorte de la pièce de travail ou à son extension maximum si elle-ci ne peut sortir de la pièce.
2. Mettre la scie sur "MARCHÉ" et baisser vers la table.
3. POUSSEZ la scie dans la pièce à couper. Ne jamais couper en tirant, la lame pourrait monter sur la pièce de travail et provoquer un REDOND.

⚠ PARA REALIZAR UN CORTE CON ACCIÓN DESLIZANTE, SIGA SIEMPRE ESTAS INSTRUCCIONES:

1. TIRE del carro de la sierra alejándolo del top-guía, hasta que la hoja pase la pieza de trabajo o hasta su máxima extensión si la hoja no puede pasar la pieza de trabajo.
2. Encienda la sierra y bájela hasta la mesa.
3. EMPUJE la sierra a través de la pieza de trabajo. No corte nunca corte "tirando de la sierra", ya que la hoja podría trepar por la pieza de trabajo, causando RETROCESO.



CROWN CUTTING			
FLAT			
MITER		MITER	
INSIDE LEFT CORNER	BEVEL RIGHT	BEVEL LEFT	OUTSIDE LEFT CORNER
SAVE LEFT	31.6°	33.9°	SAVE RIGHT
TOP EDGE AGAINST FENCE		BOTTOM EDGE AGAINST FENCE	
MITER		MITER	
INSIDE RIGHT CORNER	BEVEL LEFT	BEVEL RIGHT	OUTSIDE RIGHT CORNER
SAVE LEFT	31.6°	33.9°	SAVE RIGHT
BOTTOM EDGE AGAINST FENCE		TOP EDGE AGAINST FENCE	

⚠ ADVERTENCIA Para reducir el riesgo de lesiones, el usuario debe leer el manual de instrucciones. Use protección de los ojos. Use una hoja de sierra con capacidad nominal de 4000/min o mayor. No use la sierra si el sistema del protector no funciona correctamente. Si el protector no funciona con seguridad, haga que la tienda servicio de ajustes y reparaciones. Después de cambiar la hoja, repase el protector a la posición de funcionamiento. Mantenga las manos a una distancia segura de la hoja de sierra. Manténgalas siempre fuera de la zona de "manos no". Desconecte la sierra de la fuente de energía antes de realizar servicio de ajustes y reparaciones o de cambiar la hoja. No punga nunca las manos alrededor de la hoja de sierra ni detrás de ella. Fije o sujete con abrazaderas la pieza de trabajo contra la base y el top-guía. No realice nunca operaciones a pulso. No corte transversalmente a las manos. Nunca punga las manos o los brazos en la trayectoria proyectada de la hoja de sierra. Con el motor en la posición de apagado, haga una pasada de prueba para comprobar el alcance de la hoja. Después de apagar la sierra, manténgala en la posición hacia abajo y espere a que la hoja se detenga antes de retirar las piezas cortadas o cambiar los ajustes. Para evitar las descargas eléctricas, no exponga la herramienta a la lluvia ni la utilice en lugares húmedos. Cuando haga servicio de ajustes y reparaciones de la herramienta, utilice únicamente piezas de repuesto idénticas. Para realizar cortes en bisel o compuestos, ajuste el top-guía deslizante de manera que no esté en la trayectoria de la hoja y no interfiera con el sistema del protector.

⚠ AVERTISSEMENT Pour réduire le risque de blessure, lire le mode d'emploi. Portez une protection oculaire. Utilisez une lame homologuée pour 4000 coups/min ou plus. Ne pas utiliser la scie sans système de protection en état de marche. Si le dispositif de protection ne fonctionne pas correctement, le faire réparer. Après un changement de lame, remettre le dispositif de protection en position de fonctionnement. Garder les mains à une distance sûre de la lame de scie. Toujours rester hors de la zone Pas de mains. Déranchez la scie avant de l'entretenir ou de changer la lame. Ne tenez pas le bras de l'arbre côté ou à l'arrière de la lame de scie. Maintenez ou fixez la pièce à travailler contre une base ou un guide. Ne jamais effectuer l'opération à main libre. Ne pas couper en face de la main. Ne jamais placer la main ou le bras dans la trajectoire de la lame. Le moteur à l'ARRÊT, simuler un trajet sans couper pour vérifier la portée de la lame. Après l'ARRÊT de la scie, garder la scie en position basse et attendre que la lame s'arrête avant de retirer les pièces découpées ou de changer de réglage. Afin d'éviter une décharge électrique, ne pas exposer à la pluie et utiliser dans des endroits humides. En cas de réparation, n'utiliser que des pièces de rechange identiques. Pour une coupe en bisse ou de composé, régler le guide coulissant hors du trajet de la lame et du dispositif de protection.



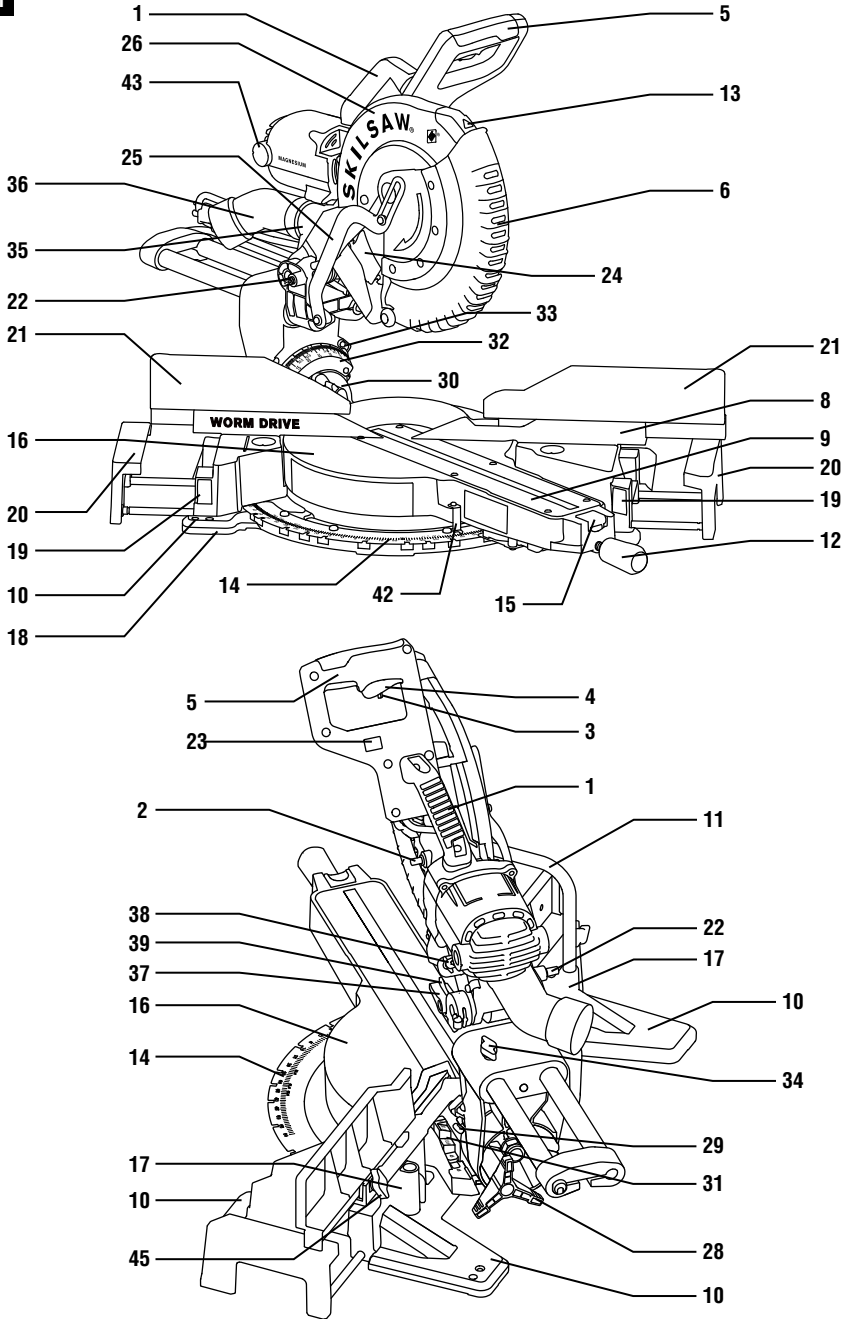
OPERATOR'S GLOSSARY OF TERMS

- **Bevel Cut:** A cutting operation made with the blade at any angle other than 90° to the miter table.
- **Blade Flange:** A ring or collar on a spindle or arbor that permits other objects, such as a blade, to be attached to it.
- **Compound Miter Cut:** A cut made using both a miter angle and a bevel angle at the same time.
- **Crosscut:** A cutting operation made across the grain of the workpiece.
- **Kerf:** The material removed by the blade in a through cut, or the slot produced by the blade in a non-through or partial cut.
- **Kickback:** A hazard that can occur when the blade binds or stalls, throwing the work piece back toward the operator.
- **Miter Cut:** A cutting operation made with the blade at any angle other than 90° to the fence
- **Nested Crown:** Positioning the crown workpiece at an angle between the fence and the table to eliminate the need to make a bevel cut.
- **No-Hands Zone:** The area between the marked lines on the left and right side of the base. This zone is identified by the No-Hands Zone symbols inside the lines marked on the base.
- **Non-through Cut:** Any cutting operation where the blade does not extend completely through the thickness of the workpiece.
- **Revolutions Per Minute (RPM):** The number of turns completed by a spinning object in one minute.
- **Saw Blade Path:** The area over, under, behind, or in front of the blade, as it applies to the work piece; the area that will be or has been cut by the blade.
- **Spindle:** The revolving shaft on which a blade or cutting tool is mounted.
- **Workpiece or Material:** The item on which the cutting operation is performed. The surfaces of a workpiece are commonly referred to as faces, ends, and edges.

GETTING TO KNOW YOUR MITER SAW

SPT88 12" Mitre Saw

FIG. 1



GETTING TO KNOW YOUR MITER SAW

To avoid injury from accidental starting, remove the plug from the power-source outlet before making any adjustments.

1. Carrying Handle

This handle is built into the head assembly for use during transport.

2. Spindle lock

Allows the user to keep the blade from rotating while tightening or loosening the blade bolt during blade replacement or removal.

3. Lock-Off Tab

The ambidextrous tab must be rotated to the left to activate the power switch.

4. Power Switch

The power switch energizes the unit when it is depressed.

5. Switch Handle

This handle contains the power switch. The blade is lowered into the workpiece by lowering the handle. The blade is pushed through the workpiece by pushing on the handle.

6. Lower Blade Guard

Helps to protect your hands from the spinning blade. It retracts as the blade is lowered.

7. Blade

Use only 12" blades with 1" arbor holes.

8. Fixed Fence

Supports the workpiece.

9. Insert Plate

Minimizes workpiece tear-out.

10. Tool Mounting Pads

Four areas to clamp, bolt, or nail the saw to a flat work surface.

11. Vertical Clamp

Provides fast clamping of workpiece.

12. Miter-lock Knob

Locks the miter-saw table at any desired miter angle.

13. ShadowLight

The LED light casts a shadow of the blade to help identify where the blade will contact the workpiece.

14. Miter Scale with Miter Detents

This scale allows you to read and set the miter angles easily. There are nine (9) miter detents for fast and accurate miter cuts at common miter angles.

15. Miter-Detent Lock Button

Depress the miter-detent lock button down to override miter detents. Depress and push in the miter-dent lock button to lock out the detent function. Push the miter-detent lock button down again to release the button and re-engage the detent function.

16. Table

Sits in the base, provides workpiece support, rotates for desired miter cuts, and rotates the head assembly.

17. Vertical Clamp positions

There are two (2) positions in the base for the workpiece clamp.

18. Base

Provides working surface to support workpiece.

19. Extension-Lock Buttons

There is one extension-lock button for each of the table extensions on the sides of the base. Depress the extension-lock button to unlock the table extension. Table extensions automatically lock in either fully open or fully closed positions.

20. Table Extensions

Provide extra support and clamping area on each end of the base. Each table extension locks in only two positions: fully closed and fully open.

21. Sliding Fences

Provide maximum height support for the workpiece and slide away from blade for easy bevel and compound cuts. The fences also have holes, which can be used to secure an auxiliary fence.

22. Head-Assembly Lock Pin

Used to lock the head assembly in the lower position for easy transportation.

23. ShadowLight On/Off Switch

Turns the LED ShadowLight system on and off.

GETTING TO KNOW YOUR MITER SAW

24. Chip Deflector

Protects against large chips entering the upper guard.

25. Lower Guard Linkage

Allows for smooth movement of the lower guard.

26. Upper Blade Guard

Covers upper portion of the blade.

27. Hex wrench

Used for tightening/loosening the blade bolt, adjusting the miter plate, and removing the adjustable fences and bevel stops. The hex wrench is stored in the back of the base.

28. Bevel-Lock Knob

Locks the saw at any desired bevel angle.

29. Bevel-Stop Bolts

Allow adjustment of the 45° bevel. There is one each for the left and right bevel.

30. Right Bevel-Release Knob

Turns to release the 0° bevel stop and allows beveling to the right side. It may be helpful to bevel the arm slightly to the left to release any pressure on the right bevel release knob.

31. Bevel Stops

For each bevel direction, the bevel stops slide in and out to provide quick access to common bevel angles.

32. Bevel Scale

Scale allows you to read bevel angles easily from either side.

33. Bevel-Scale Pointers

Two bevel-scale pointers can be adjusted.

34. Slide-Rail Lock Knob

Turn the slide-rail lock knob to lock the slide rails into any position.

35. Dust Port

Fixed dust port allows easy attachment of certain vacuum hoses and dust bag.

36. Dust Chute Elbow

Attaches to the dust port and can be rotated to help direct dust flow. It also allows connection to a 2 ½ inch vacuum hose.

37. Depth-of-Cut Stop

Rotate the depth of cut stop down to allow control of depth of cut.

38. Depth-of-Cut Bolt and Wingnut

Used with the depth-of-cut stop; rotate the depth-of-cut bolt to achieve the desired depth of cut and then secure it with the wingnut.

39. Dimensional-Lumber Preset Stop

The thinner tab behind the depth-of-cut stop. The dimensional-lumber preset stop can be rotated down to provide maximum horizontal capacity for 4x dimensional lumber at 0° bevel and for 2x dimensional lumber at 45° right bevel.

40. Oil-Fill Plug

Open the oil-fill plug to check the oil level or to add or replace oil.

41. Oil-Drain Plug

Open the drain plug to remove oil from the gear box.

42. Miter-Angle Pointer

Can be easily set after making adjustment to miter scale.

43. Brush Caps

Use a flat-head screw driver to remove the brush caps to access motor brushes.

44. Blade Bolt

Use the supplied hex wrench to remove the blade bolt for blade changes. Has left-handed thread.

45. Sliding-Fence Lock Knobs

Rotate knobs to unlock the sliding fences.

46. Crown Stops

Help to secure crown workpieces in the nested position. There is a left and right stop, one for each side of the tool.

47. Crown-Stop Knob

The crown-stop knob screws into the side of the extension table and secures the crown stops.

GETTING TO KNOW YOUR MITER SAW

SPECIFICATIONS

Tool Current Rating	15 Amp
Voltage Rating	120 VAC
Frequency	60Hz
Insulation Class	Class I - Grounded
Blade Diameter	12"
Blade Arbor Hole Diameter	1"
No Load Speed	4000 RPM
Max. Kerf Thickness of saw blade	3mm
Max. Miter Angle	60° right, 50° left
Max. Bevel Angle	48° right and left
Miter Detents	0°, 15°, 22.5°, 31.6°, 45° right and left, 60° right, 50° left
Bevel Stops	0°, 22.5°, 33.9°, 45°, 48° left and right
Dimensions	width 31-1/4" (794mm), depth 19" (483mm), height 20" (508mm)
Cord Length	6 ft (1.8m)
Weight	51 lbs (23.3 Kg)

CUTTING CAPACITIES

Miter Angle / Bevel Angle	Dimensional Lumber (inches)	Actual Capacity	
		Inches	Centimeters
	height width	height width	height width
0° / 0° maximum height	4 x 14	3-5/8 x 13-1/2	9.2 x 34.2
45° right & left / 0°	4 x 10	3-5/8 x 9-1/2	9.2 x 24.1
50° right & left / 0°	4 x 8	3-5/8 x 8-5/8	9.2 x 21.9
60° right / 0°	4 x 6	3-5/8 x 6-5/8	9.2 x 16.8
0° / 45° left	2 x 14	1-9/16 x 13-1/2	3.9 x 34.2
0° / 45° right	2 x 14	1-9/16 x 13-1/2	3.9 x 34.2
45° / 45° left	2 x 10	1-9/16 x 9-1/2	3.9 x 24.1
45° / 45° right	2 x 10	1-9/16 x 9-1/2	3.9 x 24.1
Base Molding against Fence 0°, 45° left Miter	6 1/2	6 1/2	16.5
Base Molding against Fence 45° right Miter	3 1/2	3-5/8	9.2
Crown nested (52°)	5 1/2	5 1/2	14
Crown lying flat	11 1/2	11 1/2	29.2

ASSEMBLY

UNPACKING AND CHECKING CONTENTS

⚠ WARNING If any parts are missing, do not plug in the power cord or turn the switch on until the missing parts are obtained and are installed correctly.

⚠ CAUTION Before moving the saw: Lock the miter-lock knob into the 50° left or 60° right position. Lock the bevel-lock handle. Lock the head assembly in the down position.

Never carry the tool by the cord or the head-assembly power switch handle. Damage to insulation could cause an electric shock. Damage to wire connections could cause a fire.

Model SPT88 Compound Slide Miter Saw is shipped complete, in one box.

1. Separate all parts from Loose Parts list below to make sure that all items are accounted for before discarding any packing material.

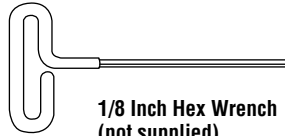
2. Loose Parts:

- Vertical Clamp - Provides fast clamping of workpiece.
- Hex Wrench - Stored behind sliding fence.
- Miter-Lock Knob
- Dust Bag
- Dust-Chute Elbow
- 2 Crown Stops (left and right)
- 2 Crown-Stop Knobs
- Operating/Safety Instructions

TOOLS NEEDED FOR ASSEMBLY AND ALIGNMENT



2 size allen wrench
1/4 inch Hex, T30 Torx (supplied)



1/8 Inch Hex Wrench
(not supplied)

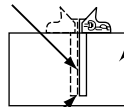


Combination Square (not supplied)

Combination Square Must be True

Draw Light Line on Board
Along this Edge

Straight Edge of Board 3/4" Thick
This Edge Must be Perfectly
Straight



Should be no Gap or Overlap
when Square is Flipped Over
in Dotted Position

⚠ WARNING Disconnect plug from power source before performing any assembly, adjustment or repair to avoid possible injury.

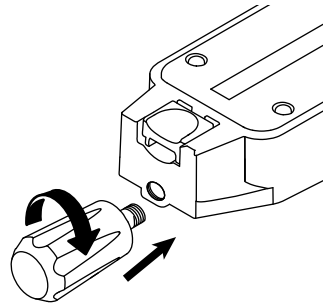
ASSEMBLY

INSTALLATION OF MITER-LOCK KNOB

FIG. 2

1. Locate the miter-lock knob from Loose Parts.
2. Assemble the miter-lock knob into the front of the Table as shown in Fig. 2.

Do Not Over Tighten.



REMOVAL AND INSTALLATION OF THE BLADE

FIG. 3b

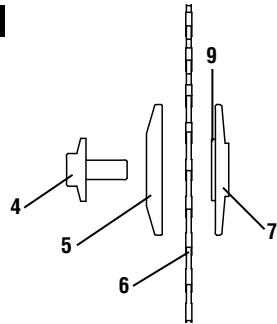
⚠ WARNING Disconnect the plug from the power source before performing any assembly, adjustment, or repair to avoid possible injury.

NOTICE: Clean the blade of any excess oil before installation.

1. Rotate the lower guard **1** by hand so that the lower guard linkage is not in front of the blade bolt.
2. Press and hold the spindle lock. Use the large hex wrench to remove the blade bolt **4** by turning the wrench clockwise.

NOTICE: The blade screw has a left-hand thread.

3. Remove the blade bolt **4**, outer washer **5**, and blade **6**. Inner washer **7** does not need to be removed (Fig. 3a, 3b).
4. To install the 12" blade, fit the blade between the chip deflectors **8** and onto the inner washer shoulder **9** (Fig. 3a, 3b).



NOTICE: Make sure that the rotation arrow on the blade matches the clockwise rotation arrow on the lower guard.

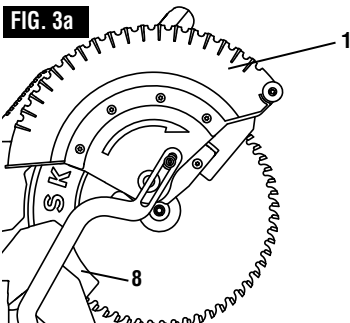
⚠ WARNING Only use wood-cutting blades with a saw blade diameter in accordance with the markings on the saw and marked with a speed equal or higher than the speed marked on the tool.

⚠ WARNING Use only blades with 1" arbor and blade kerfs less than or equal to 3 mm.

5. Replace the outer washer **5** in the proper orientation and finger-tighten the blade bolt **4**. Press the spindle lock and tighten the blade bolt **4** securely, but do not over-tighten.
6. Rotate the lower guard to the Down position.
7. Be sure that the spindle lock is released and that the blade turns freely.

⚠ WARNING After installing a new blade, lower the blade into the table slot and check for any blade contact with the base or the turntable structure. If the blade contacts the table, seek authorized service.

FIG. 3a



ASSEMBLY

USING CARBIDE-TIPPED BLADES

Handle carbide-tipped blades carefully. Carbide is very brittle and can be easily damaged. Use caution when you install, use, or store the blades. Do not use a carbide-tipped blade that is bent or has bent teeth, or if the blade has cracks, is broken, or has missing or loose carbide tips.

Do not operate a carbide-tipped blade faster than its recommended speed.

Read, understand, and follow all warnings and instructions provided with your carbide-tipped blades.

ADJUSTMENTS

⚠ WARNING Disconnect the plug from the power source before performing any assembly, adjustment, or repair to avoid possible injury.

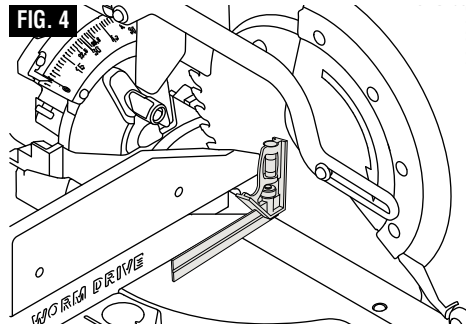
NOTICE: Your compound miter saw is completely adjusted at the factory. However, during shipment, slight misalignment may have occurred. Check the following settings and make adjustments, if necessary, prior to using this compound miter saw.

BEVEL-SYSTEM ADJUSTMENT

⚠ WARNING To avoid possible injury, disconnect the plug from the power source before performing any assembly, adjustments, or repairs.

BEVEL SQUARE TO TABLE ADJUSTMENT

To align the blade square to the table, lock the arm in the down position with the head-assembly lock pin. Place a square against the blade, ensuring that the square is not resting against a tooth. Loosen the bevel-lock knob and ensure that the arm is firmly against the 0° bevel stop. Rotate the 0° bevel-adjustment screw with a 1/8 inch hex wrench as necessary so that the blade is at 0° bevel to the table.

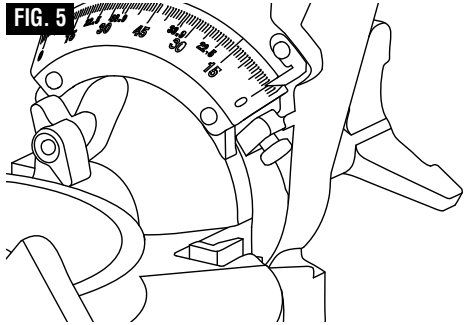


ADJUSTMENTS

ADJUSTING BEVEL-SCALE POINTERS

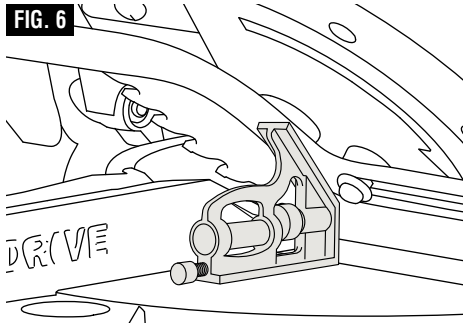
Once you have adjusted the blade to the correct angle, make sure to adjust the bevel-scale pointers.

1. Loosen the screw that holds the left pointer in place a quarter turn.
2. Align the pointer with the 0° line and retighten the screw.
3. Repeat steps 1 & 2 above for the right pointer.



BEVEL STOP 45° RIGHT AND LEFT ADJUSTMENT (FIG. 5, 6)

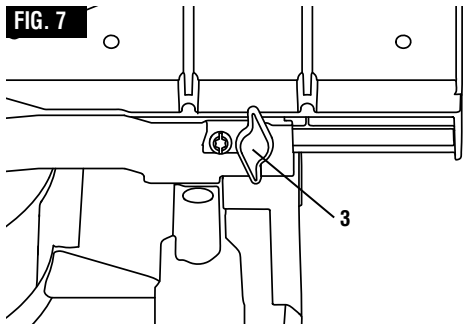
To adjust the right 45° bevel angle, loosen the bevel-lock knob and rotate the right bevel-release knob to override the 0° bevel stop. Move the sliding fence to clear the head assembly. Rotate the blade until it hits the 45° right bevel stop. Place a combination square against the blade and table and check to see if the blade is 45° to the table. If the blade is not at 45°, rotate the blade back to the left to access the bevel-stop bolt. Use the supplied hex wrench to adjust the bevel-stop bolt. Recheck with the combination square to ensure that the blade is 45° to the table. Continue to adjust the blade-stop bolt until the blade is 45° to the table.



To adjust the left 45° bevel stop, first loosen the bevel-lock knob and tilt the head assembly to the left until it hits the left 45° bevel stop. Repeat the steps outlined above for the right bevel stop.

Sliding Fence

1. Unlock the fence-locking knob **3** (Fig. 7).
2. Slide the fence to the proper position.
3. Relock the fence in place.
4. Move the head assembly to check clearance with fence.



CAUTION During transportation, the sliding fence should always be secured in the full inward position.

ADJUSTMENTS

MITER-SYSTEM ADJUSTMENT

FIG. 8a

⚠ WARNING To avoid possible injury, disconnect the plug from the power source before performing any assembly, adjustments, or repairs.

Calibrating the Miter-Detent System

1. Engage the miter detent at the 0° position. Loosen the miter-lock knob 1/2 turn.
2. Use the hex wrench provided to loosen all four screws on the miter scale plate 1 to 2 turns (Fig. 8a).
3. Slide the head assembly completely to the back and then engage the slide-rail-lock knob by tightening the slide-rail-lock knob to the right.
4. Hold one side of a 90° combination square against the fence and rotate the table (and detent plate) until the side of the saw blade plate is in full contact with the other side of the square; do not contact the blade teeth with the square (Fig. 8b).
5. Tighten all four screws, then loosen and reset the miter-scale pointer to the "0" position.

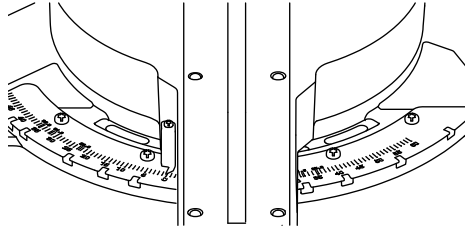
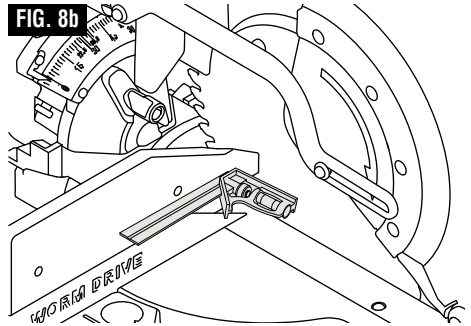


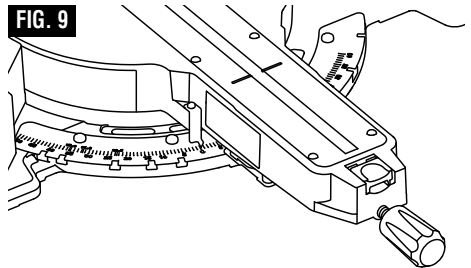
FIG. 8b



Miter-Scale Pointer Adjustment

1. Rotate the table to the 0° detent position and lock it in place.
2. Raise the saw assembly to the full UP position.
3. Loosen the pointer-adjusting screw that holds the miter-scale pointer in place (Fig. 9).
4. Position the miter-scale pointer to align with the 0° line. Tighten the screw.

FIG. 9



ADJUSTMENTS

DEPTH-OF-CUT ADJUSTMENT

⚠ WARNING To avoid possible injury, disconnect the plug from the power source before performing any assembly, adjustments, or repairs.

When a new blade is installed, it may be necessary to check the clearance of the blade to the turntable structure. The depth-stop plate is a feature provided to allow for (normal) full-depth cuts or non-through cuts used to cut grooves.

Setting Blade Depth for Normal, Full-Depth Cuts

When making normal, full-depth cuts, rotate the depth-of-cut stop and dimensional-lumber preset stop to the back (Fig. 10).

Setting Blade Depth for Non-Through Cuts for Cutting Grooves

NOTICE: For best results, SKILSAW recommends the use of a table saw with an optional dado-blade set for cutting grooves and non-through cuts. In the event this is not available, the process described below is a convenient alternative.

1. Release (pull out) the head-assembly lock pin and allow the saw head to rise up fully.
2. Swing the depth-of-cut stop to the front (Fig. 11a).
3. Grip the main handle and push the saw head down while watching the depth-stop screw contact the top surface of the depth-stop plate (Fig 11.b).
4. Loosen the wingnut and turn the head of the depth-stop bolt (while the threaded end is in contact with stop plate) and watch the bottom of the saw blade move. This adjustment sets the depth of cut.
5. Tighten the wingnut to lock the depth-of-cut bolt in place.
6. See Cutting Grooves for additional instructions.

FIG. 10

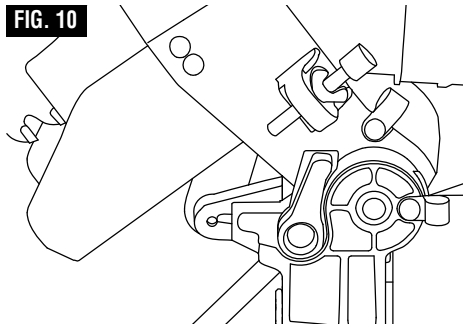


FIG. 11a

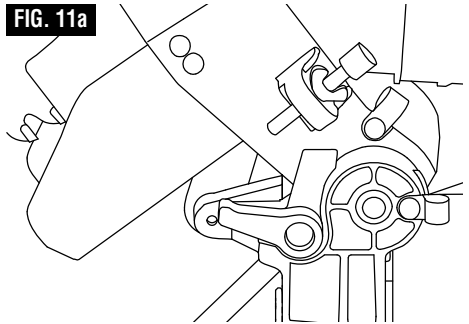
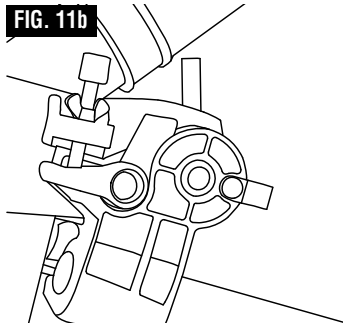


FIG. 11b



ADJUSTMENTS

Dimensional-Lumber Preset Stop

NOTICE: Maximum Capacity @45°

The dimensional-lumber preset stop sets the depth of cut for dimensional 4x material at 0° bevel and for 2x dimensional lumber at 45° right bevel.

Rotate the thinner tab to the front (Fig 12). It is easiest to move both the stops forward and then move the larger depth-of-cut stop back.

Table Extensions

The tool has integrated extension tables on each side of the base for added workpiece support. The extensions will lock in only two positions: closed and fully open. To change the extension table position, press the table-extension lock button and pull out or push in the extension table. Release the table-extension lock button and the extension table will automatically lock in the closed or the fully open position (Fig 13a, 13b).

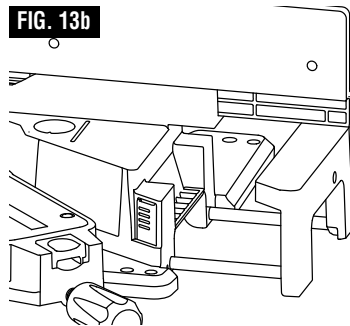
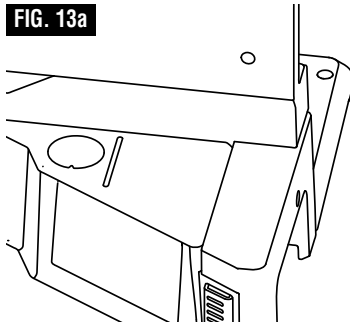
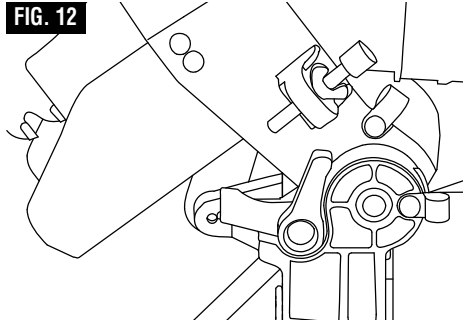
⚠ WARNING Do not use the saw with an extension table in an unlocked position. The workpiece may not be fully supported. If the extension table will not lock, have the saw serviced.

Long Workpiece Support

⚠ WARNING Long workpieces tend to tip over unless they are clamped down and properly supported from underneath.

⚠ WARNING Do not use another person as a substitute for the extension tables or as additional support. Unstable support for the workpiece can cause the blade to bind or the workpiece to shift during the cutting operation, causing you to contact the spinning blade.

The extension tables provide extra workpiece support and are especially useful when cutting long workpiece.



ADDITIONAL WORKPIECE SUPPORT

BLOCKS

Long pieces need extra support. The base height is 3-1/2 inches. Fasten two 2x4 pieces together (use the long side) or use a piece of dimensional 4x material. Boards of this thickness and height can be used to create auxiliary support extensions for long workpieces.

TRANSPORTING AND MOUNTING

Transporting

⚠ WARNING To avoid injury, follow all statements identified below by the Bullet (•) symbol.

- **Unplug the electric cord and wind it up.**
- **Never lift the saw by gripping any of the mechanism parts.** The saw may move and cause severe injuries to your fingers or hands.
- **To avoid back injury, hold the tool close to your body when lifting.** Bend your knees so you can lift with your legs, not with your back.

- **Never lift the tool by holding the switch handle.** This may cause serious damage to the tool.
- **Never lift the miter saw by the power cord.** Attempting to lift or carry the tool by the power cord will damage the insulation and the wire connections, and possibly result in electric shock or fire.
- **Place the saw on a firm, level surface where there is plenty of room for handling and properly supporting the workpiece.**

ONLY lift this saw by carry handles defined in this manual

⚠ WARNING To avoid possible injury, disconnect the plug from the power source before performing any assembly, adjustments, or repairs.

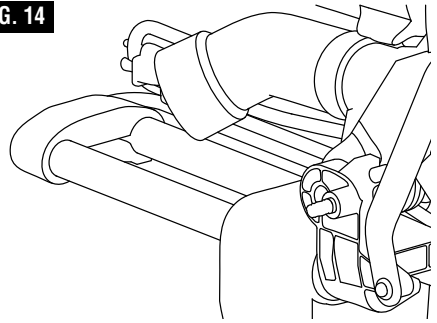
Head-assembly Lock Pin

The head-assembly lock pin (Fig. 14) is used to hold the head assembly in the DOWN position. This position prevents the head from moving up and down during transport and makes the saw more compact for lifting and storage. This position is also required for some calibration procedures.

To Engage the Head-Assembly Lock Pin:

1. Check that the depth-of-cut stop and the dimensional-lumber preset stop are disengaged.
2. Grasp the main handle and press down on the head assembly.

FIG. 14



3. While pressing the saw head down, push in on the head-assembly lock pin. Release the head assembly. The head will be locked in the DOWN position.

To Disengage the Head-Assembly Lock Pin:

1. Grasp the main handle and press down on the head assembly.
2. While pressing the head down, pull out the head-assembly lock pin. Release the head-assembly lock pin, but maintain your grip on the main handle. Slowly allow the spring-loaded saw head to come up to the top of its travel and then release the handle.

TRANSPORTING AND MOUNTING

Preparing to Lift the Saw

1. Set the bevel angle at 0° and lock it in place, using the bevel-lock lever.
2. Lock both side extension tables in the inward positions.
3. Rotate the table to either 60° right or 50° left and lock it in place with the miter-lock knob.
4. Lock the sliding rail system.
5. Lock the saw head in the DOWN position with the head-assembly lock pin.

Lift The Saw by The Top Carry Handle

Grip the saw by the top carry handle. (Fig. 15b). Continue to lift and transport comfortably.

Lift the Saw by the Side Carry Handles

Use upright, good posture and grip the two handle areas beneath the extension tables (Fig. 15c).

FIG. 15a

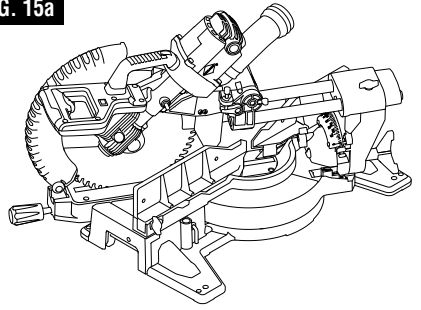


FIG. 15b

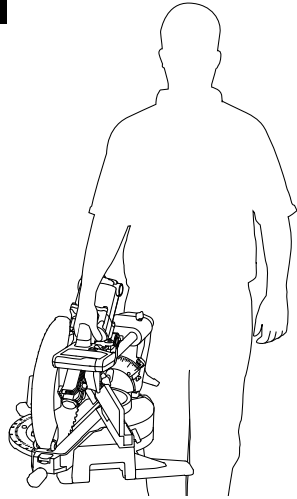
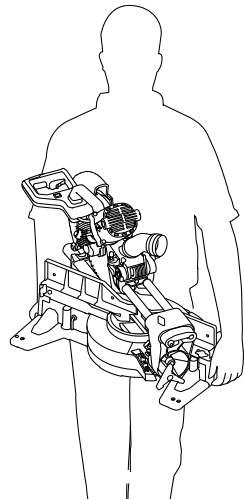


FIG. 15c



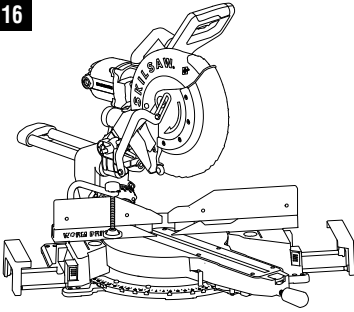
TRANSPORTATION AND MOUNTING

Mounting the Saw

Mounting to Workbench

Use the four (4) bolt holes (5/16") to mount the saw with bolts workbench. Check for clearance to the left and right of the saw (Fig. 16).

FIG. 16



1. Each of the four (4) mounting holes should be bolted securely with 5/16" bolts, lock washers, flat washers, and hex nuts (not included).
2. Locate and mark the bolt holes where the saw is to be mounted.
3. Drill four (4) 7/16" diameter holes through the workbench.
4. Place the miter saw on the workbench, aligning the holes in base with the holes drilled in the workbench. Install four each: screws, lock washers, flat washers, and hex nuts.

Mounting to a Wooden Surface

Use the four smaller holes to mount the saw to any wooden surface (Fig. 17). Use flathead wood screws #8 at least 1 1/2" length. Drive the screws through the four holes into the wooden surface until the screw heads fully engage the mounting holes and completely secure the saw.

The supporting surface to which the saw is mounted should be examined carefully after mounting to ensure that no movement of the saw can occur during use. If any tipping or walking is noted, secure the workbench or stand before operating the compound miter saw.

Temporary Mounting, Using Clamps

- If necessary, clamp the miter saw to a workbench or table top.
- Place two (2) or more "C" clamps on the clamping areas and secure (Fig. 18).

NOTICE: Always make sure you leave enough room in work area to accommodate long workpieces.

FIG. 17

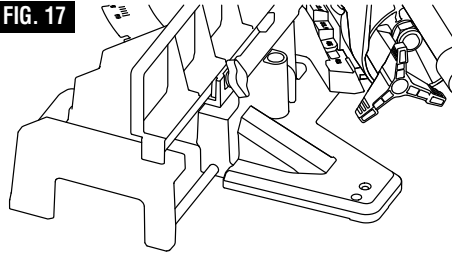
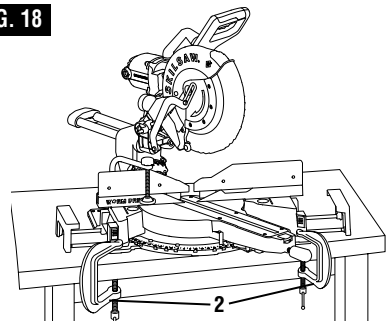


FIG. 18

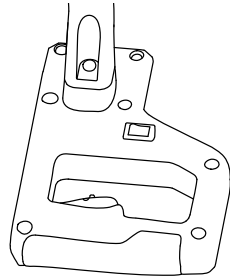


SAW OPERATIONS

Switch

The switch has a secondary LOCK-OFF tab that must be rotated to the left to be able to depress the main power switch. Grasp the main switch with your fingers and slide the tab to the left. Then pull the main switch to activate the saw. Release the switch to stop the saw (Fig. 19).

FIG. 19



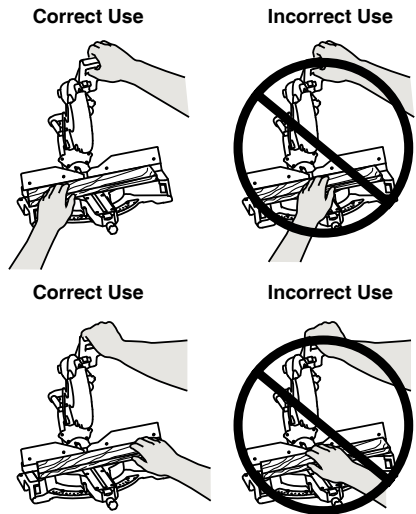
Body and Hand Positions

⚠ WARNING Position your body and hands properly to make cutting easier and safer. Observe the following instructions

⚠ WARNING Never place hands near the cutting area. Keep hands outside the “No Hands Zone”. The “No Hands Zone” is defined as the area between the lines marked on the left and right side of the base, including the entire table and portion of the fence within these marked lines. This zone is labeled by “No Hands” symbols placed just inside the marked lines on the base.

- Hold the workpiece firmly to the fence to prevent movement.
- Keep hands in position until the trigger has been released and the blade has stopped completely.
- Keep feet firmly on the floor and maintain proper balance.
- Follow the miter arm when mitering left or right. Stand slightly to the side of the saw blade.
- Look through the lower guard if following a pencil line.
- Before making any cut, with the power off, lower the blade to preview the blade path.

FIG. 20a



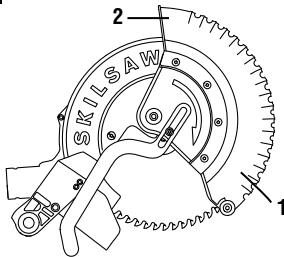
SAW OPERATIONS

⚠ WARNING The lower guard may not automatically open under certain **cutting conditions**. If this occurs:

Typically, this may occur when trying to cut workpieces that are near the maximum cutting height capacity. Under these conditions, the workpiece can stop the lower guard movement before the downward motion of the arm can preopen the lower guard. If this occurs:

- The workpiece must be securely clamped. This frees your left hand to raise the guard **1** by the lip **2** just enough to clear the workpiece (Fig. 20b).

FIG. 20b



- Start the saw and begin your cut.
- Once you have cleared the position where the lower guard may bind, release the guard and it will continue to rise automatically as you cut.

DRY RUN—It is important to know where the blade will intersect the workpiece during cutting operations. Always perform the simulated cutting sequence with the power tool switched OFF to gain an understanding of the projected path of the saw blade. Mentally note where the path of saw blade will fall and set up your work to keep your hands and arms out of the path of the spinning blade. Adjust the clamps and fences so that the smooth operation of the lower guard and cutting action is not interfered with during the cutting operation.

Always check to make sure the lower guard is completely functional. With the tool disconnected from the power source, lift the lower guard all way up and release. Lower guard should immediately fully close. If guard does not close all way or hesitates, stop using tool and have tool serviced.

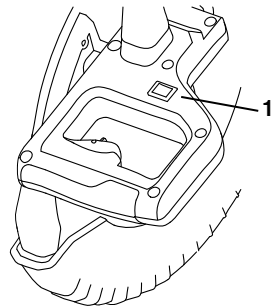
LED ShadowLight

NOTICE: The miter saw must be connected to a power source for the Shadowlight System to function.

The LED Shadowlight System is equipped with an ON/OFF switch **1** (Fig. 21). The Shadowlight System is independent of the miter saw trigger switch. The Shadowlight does not need to be on to operate the saw.

To cut through an existing pencil line on a piece of wood, turn on the Shadowlight system, then pull down on the operating handle to bring the saw blade close to the wood. The shadow of the blade will appear on the wood. This shadow line represents the material that the blade will remove when performing a cut. To correctly locate your cut to the pencil line, align the pencil line with the edge of the blade's shadow. Keep in mind that you may have to adjust the miter or bevel angles to match the pencil line exactly.

FIG. 21



SAW OPERATIONS

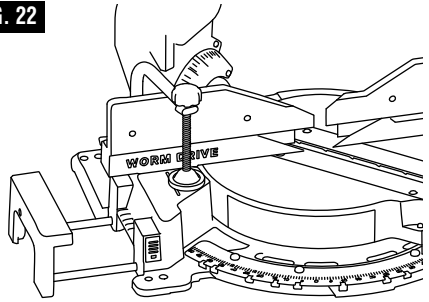
Installing the Work Clamp

⚠ WARNING In some operations, the work clamp assembly may interfere with the operation of the blade-guard assembly. Always make sure there is no interference with the blade guard prior to beginning any cutting operation to reduce the risk of serious personal injury.

The work clamp provides greater control by clamping the workpiece to the miter table. It also helps to prevent the workpiece from creeping toward the saw blade. This is helpful when cutting compound miters. Depending on the cutting operation and the size of the workpiece, it may be necessary to use a C-clamp instead of the work clamp to secure the workpiece prior to making the cut. The

work clamp can be installed and used on either side of the blade.

FIG. 22



To install the work clamp:

1. Place the work clamp shaft in one of the holes located behind the sliding miter fence.

2. Rotate the knob on the work clamp to move it up or down as needed.

Slide Cut

⚠ WARNING NEVER pull the saw toward you during a cut.

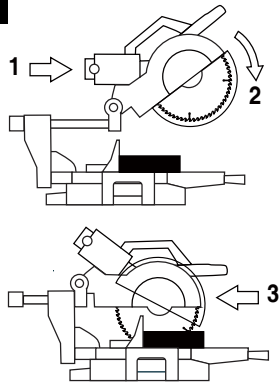
The blade can suddenly climb the workpiece, causing KICKBACK.

1. Properly position the workpiece. Make sure that the workpiece is clamped firmly against the table and the fence. Use a clamping position that does not interfere with operation. Before switching the tool on, lower the head assembly to make sure that the clamp clears the guard and the head assembly.
2. Loosen the slide-rail lock knob.

⚠ WARNING Be aware of the path of the saw blade. Make a dry run with the saw Off by conducting a simulated cutting cycle and observe the projected path of the saw blade. Keep hands at least six (6) inches away from the projected path of the saw blade.

3. Grasp the switch handle and pull the head assembly away from the fence until the blade clears the workpiece, or to its maximum extension if the blade cannot clear the workpiece (Fig. 23).

FIG. 23



4. Activate the switch. Lower the head assembly all the way down and cut through the edge of the workpiece.

5. Push (but do not force) the head assembly towards the fence to the full rear position to complete the cut.

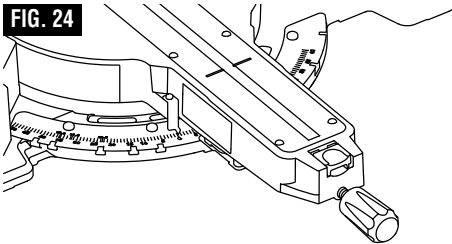
6. Wait until blade comes to a complete stop before returning head assembly to the raised position and/or removing workpiece.

SAW OPERATIONS

MITER SYSTEM

Using the Miter Detents

1. Loosen the miter-lock knob approximately 1/2 turn (Fig. 24).



2. Grip the miter-lock knob, and then use your thumb to push down on the miter-detent button: push down the miter-detent button until the table is free from the miter scale.
3. While gripping the miter-lock knob and miter-detent button, rotate the saw table. Stop the table rotation at the desired angle, as indicated by the miter-scale pointer.
4. Release the miter-detent button at a detent in the miter scale or at an angle between detents. If it is close to a miter detent, use the miter-detent override feature.
5. Tighten the miter-lock knob before cutting.

NOTICE: It is recommended to tighten the miter-lock knob before all cuts. Always tighten the miter-lock knob before cutting at any angle between detents or when the miter-detent override system is in use.

Miter-Detent Override

The miter-detent override feature allows the miter-detent action to be locked out to allow for micro adjustments at any miter angle. When the desired miter angle is too close to a standard miter angle that has a detent slot, this feature prevents the wedge on the miter-detent lever from slipping into the detent slot on the miter-detent plate.

1. Push the miter-detent button down and then forward.
2. Without letting the miter-detent button move backwards, allow the miter-detent button to rise until it is captured by the table.
3. Rotate the table to any position on the miter scale.
4. Lock the miter-lock knob to retain the miter position.

Miter Cut

- A miter cut is made at 0° bevel and any miter angle in the range from 50° left to 60° right.
- Positive detents have been provided for fast and accurate mitering at 0°, 15°, 22.5°, and 45° left and right, 50° left, and 60° right.
- There is also a crown-molding detent at 31.6° (see Cutting Crown Molding for more information).
- For maximum support, the sliding fence must always be as close to the blade as possible without interfering with head assembly (see ADJUSTMENT, Sliding Fence, if necessary).

1. Loosen the miter-lock knob 1. Press down on the miter-lock detent lever and move

the saw to the desired angle, using either of the detents or the miter scale 2. Tighten the miter-lock knob.

2. Extend the table extension on the side of the table where hand support is needed to properly support the workpiece. (See Table Extension.)
3. Properly position the workpiece 3. Make sure workpiece is clamped 4 firmly against the table and the fence.

⚠ WARNING Use a clamping position that does not interfere with operation. Before switching on the saw, lower the head assembly to make sure that the clamp clears the guard and the head assembly

4. Activate the switch. Lower the head assembly and make your cut.

SAW OPERATIONS

5. Wait until the blade comes to a complete stop before returning the head assembly to the raised position and/or removing workpiece.

Bevel Cut

- A bevel cut is made at 0° miter and any bevel angle in the range of 0° to 48°.
- There are factory-set bevel stops at 0°, 22.5°, 45°, and 48°. (See Adjustment section if adjustments are required.)
- For maximum support, the sliding fence must always be as close to the blade as possible without interfering with head assembly. (See ADJUSTMENT, Sliding Fence, if necessary.)
- The bevel scale faces the operator for easy reading.
- Use table extensions as appropriate. (See Table Extension.)

⚠ WARNING When bevel cutting, remember to “lock” the cutting head in position before proceeding, so that the head does not unexpectedly shift in use.

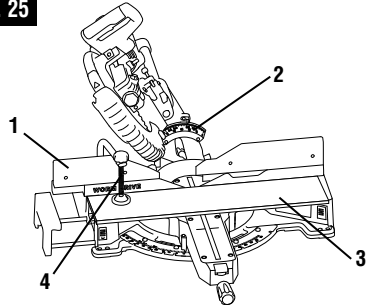
1. Move the sliding fence **1** to the proper position (position (see ADJUSTMENT, Sliding Fence).)
2. Extend the table extension on the side of the table where hand support is needed to properly support the workpiece (see Table Extension).

Compound Cuts

- A compound cut is a cut that requires both a miter setting and a bevel setting.
 - Because it may take several tries to obtain the desired compound angle, perform test cuts on scrap material before making your cut.
1. Move the sliding fence to the proper position **1** (See ADJUSTMENT, Sliding Fence). It may be necessary to completely remove one of the sliding fences for a cut with extreme angles.
 2. Extend the table extension **2** on the side of the table where hand support is needed to properly support the workpiece (see Table Extension).

3. Loosen the bevel-lock handle. When beveling to the right side, the right bevel-release knob must be turned to release the 0° stop. Tilt the head assembly to the desired bevel angle **2**. Tighten the bevel-lock handle (Fig. 25).

FIG. 25



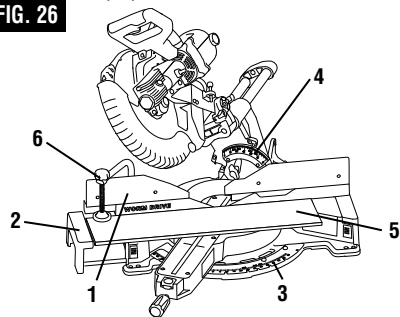
4. Properly position the workpiece **3**. Make sure that the workpiece is clamped **4** firmly against the table and the fence.

⚠ WARNING Use a clamping position that does not interfere with operation.

1. Before switching on the tool, lower the head assembly on the saw to make sure that the clamp clears the guard and the head assembly.
2. Activate the switch. Lower the head assembly and make your cut.
3. Wait until the blade comes to a complete stop before returning the head assembly to the raised position and/or removing the workpiece.

3. Select the desired miter **3** and bevel angles **4** (Fig. 26). (See Miter Cut and Bevel Cut)

FIG. 26



4. Properly position workpiece **5**. Make sure that the workpiece is clamped **6** firmly against the table and the fence.

SAW OPERATIONS

5. Make sure that all controls are locked before cutting.

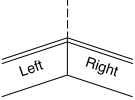
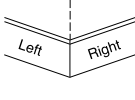
6. Activate the switch. Lower the head assembly and make your cut.

⚠ WARNING Use a clamping position that does not interfere with operation. Before switching the tool on, lower the head assembly on the saw to make sure that the clamp clears the guard and the head assembly.

7. Wait until blade comes to a complete stop before returning the head assembly to the raised position and/or removing the workpiece.

Cutting Base Molding

- Base molding can be cut vertically against fence or flat on the table.
- Follow the table for helpful hints on cutting base molding

BASE MOLDING CUTTING INSTRUCTIONS					
SETTINGS / INSTRUCTIONS		Vertical Position Back of molding is against the fence		Horizontal Position Back of molding is flat on the table	
<i>Sliding Fence</i>		Fully closed position		Move to proper position	
<i>Bevel Angle</i>		0°		45° left	
<i>Molding position</i>		Left Side	Right Side*	Left Side	Right Side*
Inside corner of wall 	Miter Angle	Left at 45°	Right at 45°	0°	0°
	<i>Molding position</i>	Bottom against table	Bottom against table	Top against fence	Bottom against fence
	Finished side	Keep left side of cut	Keep right side of cut	Keep left side of cut	Keep left side of cut
Outside corner of wall 	Miter Angle	Right at 45°	Left at 45°	0°	0°
	<i>Molding position</i>	Bottom against table	Bottom against table	Bottom against fence	Top against fence
	Finished side	Keep left side of cut	Keep right side of cut	Keep right side of cut	Keep right side of cut

⚠ WARNING Check for interference between the workpiece and saw head components by performing a dry-run simulation of the cut. Interference can prevent proper saw operation and cause injury and/or tool damage.

- If the saw head interferes with the workpiece while cutting it on the right side, it is recommended to flip the workpiece and cut it to the left.

SAW OPERATIONS

Cutting Crown Molding

- Crown molding must be cut exactly to fit properly.
- Your miter saw has special miter detents at 31.6° left and right and a bevel indicator at 33.9° for cutting crown molding flat on the table.
- These special detent angles have been designed into your compound miter saw for the standard crown molding used in the United States with the following angles:
 - 52° between the back of the molding and

the top flat surface that fits against the ceiling.

- 38° between the back of the molding and the bottom flat surface that fits against the wall.

NOTICE: These detents cannot be used with 45° crown molding.

- Even though these angles are standards, most rooms do not have angles of exactly 90°, therefore, you will need to fine-tune your settings with the miter and bevel scales.

Follow these instructions for cutting crown molding laying flat on the table:

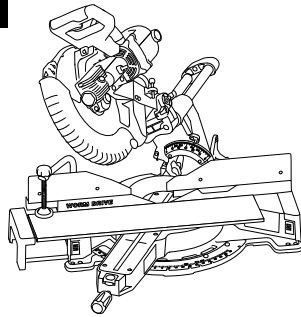
1. Move the sliding fence to proper position (see ADJUSTMENT, Sliding Fence).
2. Set the bevel and miter angles using Chart in this section. Tighten the miter-lock knob and the bevel-lock handle (Fig. 27).
3. Position the molding on the saw table. Use the chart to determine the correct position. Clamp the workpiece in place with the vertical clamp.

WARNING Use a clamping position that does not interfere with operation. Before switching on the saw, lower the head assembly to make sure that the clamp clears the guard and the head assembly.

4. Activate the switch. Lower the head assembly and make your cut.
5. Wait until the blade comes to a complete stop before returning the head assembly to the raised position and/or removing the workpiece.

NOTICE: Always make a test cut using scrap to confirm that the angles are correct.

FIG. 27



MITER		BEVEL		MITER		BEVEL	
INSIDE LEFT CORNER A	31.6° RIGHT	33.9° LEFT	31.6° LEFT	33.9° LEFT	INSIDE RIGHT CORNER B	31.6° LEFT	33.9° RIGHT
SAVE LEFT	TOP EDGE AGAINST FENCE		BOTTOM EDGE AGAINST FENCE		SAVE RIGHT		
MITER		BEVEL		MITER		BEVEL	
INSIDE RIGHT CORNER B	31.6° LEFT	33.9° LEFT	31.6° RIGHT	33.9° LEFT	OUTSIDE LEFT CORNER C	OUTSIDE RIGHT CORNER D	
SAVE LEFT	BOTTOM EDGE AGAINST FENCE		TOP EDGE AGAINST FENCE		SAVE RIGHT		

SAW OPERATIONS

Crown Molding Angled to Table and Fence (Nested)

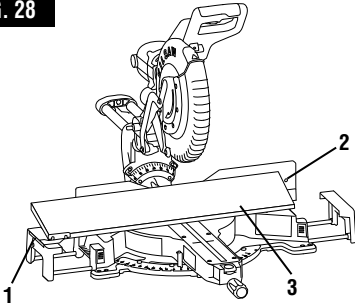
The advantage of cutting molding angled against fence is that no bevel setting is required; only the miter angle is adjusted.

The maximum 38°/52° crown molding width that can be cut and angled to table and fence is 5-1/2".

When cutting crown molding in this fashion, it is recommended to use the right and left Crown Stops.

1. Attach crown stops to the sides of the base using the crown-stop knobs 1.
2. Position the molding so that the bottom (the decorative part that is installed against the wall) is against the fence 2 (Fig. 28).

FIG. 28



3. Adjust the position of the crown stops so that they support the side of the crown molding touching the table and fully secure the crown 3.
4. For a 90° corner, use the chart below to set the miter angle. Tighten the miter-lock knob.
5. Support the crown molding against the fence (see Body and Hand Position).

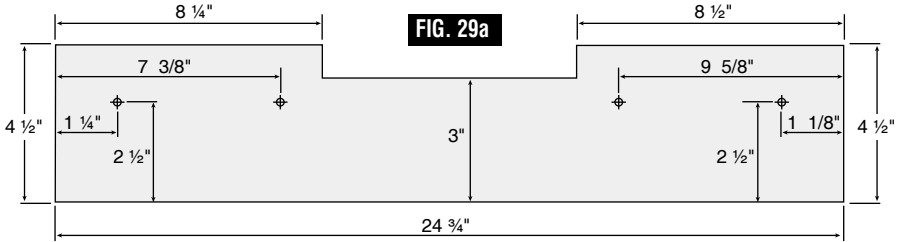
⚠ WARNING Be aware of the path of the saw blade. Make a dry run with the saw OFF by conducting a simulated cutting cycle and observe the projected path of the saw blade. Keep hands at least six (6) inches away from the projected path of the saw blade.

6. Follow the procedures for miter cuts.
7. Wait until the blade comes to a complete stop before returning the head assembly to the raised position and/or removing the workpiece.

SAW OPERATIONS

Auxiliary Fence

Making an Auxiliary fence

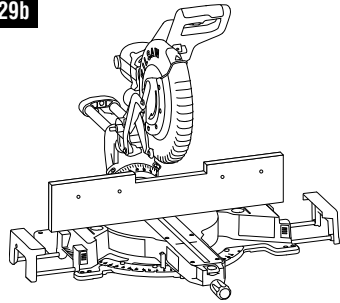


Certain types of molding need a fence-face extension because of the size and position of the workpiece.

Holes are provided in the fence to attach an auxiliary fence. The auxiliary fence is used with the saw in the 0° bevel position only.

1. Use a 3/4" thick piece of wood (plywood is preferred) to cut an auxiliary fence based on the dimensions shown in Fig. 29a.
2. Place the auxiliary fence against the miter saw fence (Fig. 29b). Check that the auxiliary fence does not interfere with the head assembly. Check for interference between the auxiliary fence and the lower blade guard. Adjust as necessary.

FIG. 29b



⚠ WARNING Check for interference between the auxiliary fence and the saw-head components by performing a dry run. Fence interference can prevent proper saw operation and cause injury and/or tool damage.

3. Mark the locations of the support holes on the wood from the back side of the fence (Fig. 29a).
4. Drill and countersink the holes on the front of the auxiliary fence.

SAW OPERATIONS

To fasten from front of fence:

1. Attach the auxiliary fence using four (4) 3/16" x 1-1/2" long flat-head machine bolts. Secure them behind the metal fence with washers and #5 machine nuts.

⚠ WARNING Be aware of the path of the saw blade. Make a dry run with the saw Off by conducting a simulated cutting cycle and observe the projected path of the saw blade. Keep hands at least six (6) inches away from the projected path of the saw blade.

2. Make a full-depth cut to create the blade slot.

To fasten from back of the fence:

Use minimum 3/4" thick auxiliary fence and 1/4" round-head wood screws (1/2" long).

1. Drill four pilot holes through the auxiliary fence and run the screws from the rear of the metal fence.

⚠ WARNING Be aware of the path of the saw blade. Make a dry run with the saw OFF by conducting a simulated cutting cycle and observe the projected path of the saw blade. Keep hands at least six (6) inches away from the projected path of the saw blade.

2. Make a full-depth cut to create the blade slot.

Cutting Grooves

ROUGH CUTTING A DADO

Using a wood chisel and the depth guide, it is possible to make a rough dado cut. The marks on the depth guide are to be used for reference only. Always make a practice cut on scrap wood.

To use the depth guide:

1. Unplug the saw.
2. Rotate the depth-of-cut stop outward.

With the depth-of-cut bolt touching the depth stop, turn the depth-of-cut bolt until the desired depth of cut is attained. Tighten the depth-of-cut wingnut to secure the depth-of-cut bolt. See Setting Blade Depth for Non-Through Cuts for Cutting Grooves.

3. A wooden spacer must be placed between the workpiece and the fence for a consistent length of cut in the workpiece. Use the work clamp to clamp the spacer and another suitable clamp to clamp the workpiece. Make the slide cut at the desired depth.
4. Rotate the depth of cut stop inward for normal through cuts.

NOTICE: The depth-of-cut stop must be rotated before locking or unlocking the saw arm.

To make the cut:

1. Unlock the slide-lock knob.

2. Raise the saw arm to its full height.

3. With the saw off, pull the saw arm forward. Turn the saw ON, allow the blade to reach maximum speed, push the blade down on top of the workpiece, and then back toward the rear of the saw to make a cut.

4. Cut two outside grooves in the workpiece.
5. Use a wood chisel to remove the material between the two outside grooves.

SAW OPERATIONS

Special Cuts

Cutting bowed material and round material are only two examples of special cuts.

Cutting Bowed Material

⚠ WARNING If the workpiece 1 is bowed or warped, clamp it 2 with the outside, bowed face toward the fence 3. Always make certain that there are no gaps between the workpiece, fence, and table along the line of cut. Bent or warped workpieces can twist or rock and may cause binding on the spinning saw blade while cutting (Fig. 30).

Cutting Round or Irregularly Shaped Material

⚠ WARNING For round material 5, such as dowel rods or tubing, always use a clamp 6 or a fixture designed to clamp the workpiece firmly against the fence 7 and table. Rods tend to roll while being cut, causing the blade to “bite” and pull the work, along with your hand, into the blade (Fig. 31).

Dust Collection

The fixed dust chute is compatible with both the included dust elbow and standard 35mm diameter hose ends. The dust elbow fits directly around the fixed dust chute and is compatible with standard 2-1/2" diameter hoses. For vacuum hoses with different diameters, an adapter (not included) must be used.

To collect the dust when cutting without an attached vacuum, the dust elbow can be rotated to direct the dust in the desired direction or the dust bag can be attached to the fixed dust chute. The dust bag should be checked frequently and emptied as necessary.

FIG. 30

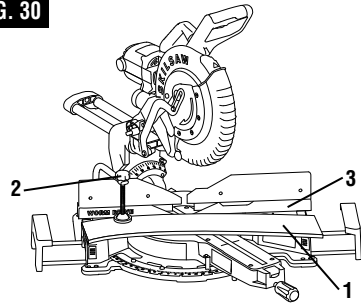
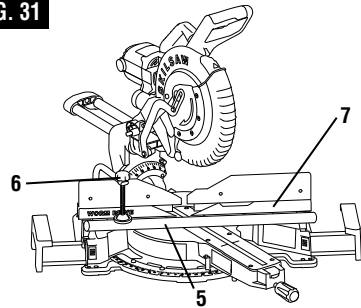


FIG. 31



MAINTENANCE AND LUBRICATION

GEAR LUBRICATION

Your SKILSAW tool has been properly lubricated and is ready to use. When required, it is recommended that the gears be re-lubricated only with SKILSAW lubricant: No. 80111 (8 oz. tube). Always check the oil level before using the saw. With a new saw, change the oil after the first ten hours of use. At a minimum, the oil should be changed once a year under heavy use, or after approximately 60 hours of use.

To check and add oil: Remove the power plug from the power source. Place the saw on a flat, stable surface. Lock the slide and leave the saw head in the up position. Remove the oil plug with a 1/2" wrench. Check to ensure that the oil is not below the level of the threads. If necessary, add fresh SKILSAW lubricant (No. 80111).

NOTICE: If the oil is dirty or thick, replace the oil.

To replace the oil: Run the tool for one minute to warm the oil. Remove the power plug from power source. Lock the sliding head in the forwardmost position. Place an oil catchment under the front of the gear box. Remove the oil-drain plug and tip the saw forward into the oil catchment until the oil is drained. Replace the oil-drain plug. Add oil as instructed above.

CARBON BRUSHES

The brushes and commutator in your tool have been engineered for many hours of dependable service. To maintain peak efficiency of the motor, it is recommended to examine the brushes every two to six months. The brushes should be free from dust and dirt. Brushes should be replaced when they have worn down to 3/16" in length. The brushes should slide freely in and out of the holders without sticking.

To check brushes:

1. Disconnect the plug from the power source.
2. Remove the brush caps on the motor housing by rotating them, using either a short screwdriver or a quarter, then finish removing the brush by hand. Note which way the brush faces, so that it can be returned to its original position.
3. Clean the brush holder opening with compressed air or a clean cloth.
4. Replace the brush and cap. Only genuine SKILSAW replacement brushes specially designed for your tool should be used.

Shadowlight

For the best Shadowlight performance, perform the following maintenance regularly.

- Carefully clean sawdust and debris from Shadowlight lens with a cotton swab.
- DO NOT use solvents of any kind; they may damage the lens.
- Dust build-up can block the Shadowlight and prevent it from accurately indicating the line of cut.
- Pitch and debris on the blade can interfere with the Shadowlight accuracy and prevent it from accurately indicating the line of cut. Follow the miter saw's instruction manual to remove and install the blade. With blade removed from saw, clean pitch and build-up from blade.

TROUBLESHOOTING

Turn the switch OFF and always remove the plug from the power source before troubleshooting.

TROUBLE: SAW WILL NOT START

PROBLEM

1. Power cord is not plugged in.
2. Fuse or circuit breaker is tripped.
3. Cord is damaged.
4. Burned out switch.

REMEDY

1. Plug power cord into a functioning power outlet.
2. Replace fuse or reset a tripped circuit breaker.
3. Have cord replaced by an Authorized SKILSAW Service Center or Service Station.
4. Have switch replaced by an Authorized SKILSAW Service Center or Service Station.

TROUBLE: BLADE DOES NOT COME UP TO SPEED

PROBLEM

1. Extension cord is too light or too long.
2. Low house voltage.

REMEDY

1. Replace with an adequate cord.
2. Contact your electric company.

TROUBLE: EXCESSIVE VIBRATION

PROBLEM

1. Blade is out of balance.
2. Saw is not mounted securely to the stand or workbench.
3. Arbor nut is not tight.

REMEDY

1. Discard blade and use different blade.
2. Tighten all mounting hardware.
3. See "Assembly" section, "Removing and Installing the Blade".

TROUBLE: SHADOWLIGHT IS NOT WORKING OR DIM

PROBLEM

1. Shadowlight cover is covered in sawdust or wood pitch.
2. Shadowlight on/off switch is not activated.
3. Shadowlight on/off switch is not functioning.

REMEDY

1. Clean the Shadowlight cover with compressed dry air and/or wipe with a damp cloth.
2. Turn on the Shadowlight on/off switch.
3. Have the switch replaced by an authorized SKILSAW Service Center or Service Station.

RECOMMENDED ACCESSORIES

Skilsaw Lubricant 80111

Skilsaw 60 tooth Carbide Blade SPT1010

Folding Miter Saw Stand SPT5002-FS





Rolling Miter Saw Stand SPT5001-RS

Table des matières

	Page		Page
Symboles relatifs à la sécurité	38	Réglage du système d'onglet.....	58
Consignes générales de sécurité pour les outils de table	39-45	Réglage de la profondeur de coupe ..	59-60
Consignes de sécurité additionnelles	46-47	Transport et montage	61-63
Glossaire terminologique de l'opérateur	48	Transport	61
Familiarisez-vous avec votre scie à onglet	49-53	Préparation pour soulever la scie	62
Assemblage	54-56	Montage de la scie	63
Déballage et inspection du contenu	54	Opérations de la scie	64-65
Outils nécessaires pour l'assemblage et l'alignement.	54	Interrupteur	64
Installation du bouton de verrouillage d'onglet.....	55	Positions du corps et des mains.....	64
Retrait et l'installation de la lame.....	55	Éclairage à DEL avec ombre.....	65
Utilisation de lames à pointes au carbure	56	Installation de la pince de fixation de l'ouvrage	66
Réglages	56-60	Coupe coulissante	66
Réglage de l'équerre de biseau par rapport à la table	56	Système d'onglet.....	67-75
Réglage des indicateurs de l'échelle de biseau	57	Maintenance et lubrification	76-80
Réglage de la butée de biseau à 45° à droite et à gauche	57	Lubrification des engrenages	76
		Balais de charbon.....	76
		Recherche de la cause des problèmes	77-80

Symboles relatifs à la sécurité

Les définitions ci-dessous décrivent le niveau de gravité pour chaque terme signalant un danger. Veuillez lire le mode d'emploi et lire la signification de ces symboles.

	C'est le symbole d'alerte relatif à la sécurité. Il est utilisé pour vous avertir de l'existence possible d'un danger de lésion corporelle. Obéissez à tous les messages relatifs à la sécurité qui suivent ce symbole pour éviter des situations pouvant causer la mort d'une personne ou une blessure grave.
	DANGER indique une situation dangereuse qui, si elle n'est pas évitée, causera la mort d'une personne ou une blessure grave.
	AVERTISSEMENT indique une situation dangereuse qui, si elle n'est pas évitée, causera la mort d'une personne ou une blessure grave.
	MISE EN GARDE, conjointement avec le symbole d'alerte en liaison avec la sécurité, indique une situation dangereuse qui, si elle n'est pas évitée, causera une blessure légère ou modérée.

Consignes Générales De Sécurité Pour Les Outils De Table

⚠ AVERTISSEMENT Lisez tous les avertissements relatifs à la sécurité et toutes les instructions, illustrations et spécifications fournies avec cet outil électrique. Le non-respect de toutes les instructions figurant ci-après pourrait causer un choc électrique, un incendie et/ou des blessures graves.

Conservez tous les avertissements et toutes les instructions pour référence future

Le terme « outil électrique » dans les avertissements fait référence à votre outil électrique à cordon électrique branché dans une prise secteur ou à votre outil électrique à piles (sans fil).

Sécurité de la zone de travail

Gardez votre zone de travail propre et bien éclairée. Les établis encombrés et les endroits sombres invitent les accidents.

N'utilisez pas des outils électriques dans une atmosphère explosive, par exemple en présence de liquides, de gaz ou de poussières inflammables. Les outils électriques produisent des étincelles qui risquent de mettre feu aux poussières ou émanations de fumée.

Gardez les enfants et autres personnes présentes à une distance suffisante lorsque vous utilisez un outil électrique. Des distractions risqueraient de vous faire perdre le contrôle.

Sécurité électrique

La fiche de l'outil électrique doit correspondre à la prise de courant. Ne modifiez jamais les fiches de quelque façon que ce soit. N'utilisez pas N'utilisez pas d'adaptateurs de fiches avec des outils électriques mis à la terre/à la masse. L'emploi de fiches non modifiées et de prises de courant correspondant naturellement aux fiches réduira le risque de choc électrique.

Évitez tout contact de votre corps avec des surfaces mises à la terre ou à la masse telles que des surfaces de tuyaux, de radiateurs, de cuisinières et de réfrigérateurs. Il existe un risque accru de choc électrique si votre corps est en contact avec la terre ou la masse.

N'exposez pas d'outils électriques à la pluie ou à un environnement humide. La pénétration d'eau dans un outil électrique augmentera le risque de choc électrique.

N'utilisez pas le cordon de façon abusive. N'utilisez pas le cordon pour porter, tirer ou débrancher l'outil électrique. Tenez le cordon à distance de toute source de chaleur, d'huile, de bords tranchants ou de pièces mobiles. Des cordons endommagés ou entortillés augmentent le

risque de choc électrique.

Lorsque vous utilisez un outil électrique à l'extérieur, employez un cordon de rallonge approprié pour un emploi à l'extérieur. L'utilisation d'un cordon approprié pour une utilisation à l'extérieur réduit le risque de choc électrique.

Si l'utilisation d'un outil électrique dans un endroit humide est inévitable, utilisez une alimentation protégée par un disjoncteur de fuite à la terre. L'utilisation d'un tel circuit réduit le risque de choc électrique.

Sécurité personnelle

Faites preuve de vigilance et de bon sens, et observez attentivement ce que vous faites lorsque vous utilisez un outil électrique. N'utilisez pas un outil électrique si vous êtes fatigué(e) ou sous l'influence de drogues, d'alcool ou de médicaments. Un simple moment d'inattention pendant que vous utilisez un outil électrique pourrait causer une blessure grave.

Utilisez des équipements de protection personnelle. Portez toujours des équipements de protection des yeux. Des équipements de protection tels qu'un masque de protection contre la poussière, des chaussures de sécurité antidérapantes, un casque ou un dispositif de protection de l'ouïe utilisés en fonction des conditions réduiront le nombre des blessures.

Prévenez une mise en marche accidentelle. Assurez-vous que l'interrupteur est dans la position d'arrêt (OFF) avant de connecter l'appareil à une source d'alimentation et/ou à un BLOC-PILES, de le soulever ou de le transporter. Le fait de transporter des outils électriques avec le doigt sur l'interrupteur ou de mettre sous tension des outils électriques avec l'interrupteur en position de marche invite les accidents.

Avertissements Généraux Relatifs À La Sécurité Pour Les Outils Électriques

Retirez toute clé de réglage avant de mettre l'outil électrique sous tension. Une clé laissée attachée à une pièce en rotation de l'outil électrique pourrait causer une blessure.

Ne vous penchez pas au-dessus de l'outil électrique. Veillez à toujours garder un bon équilibre et un appui stable. Ceci permet de mieux contrôler l'outil électrique dans des situations inattendues.

Portez des vêtements appropriés. Ne portez pas de vêtements amples ou de bijoux. Gardez vos cheveux, vos vêtements et vos gants à une distance suffisante des pièces mobiles. Les vêtements amples, bijoux ou cheveux longs pourraient être attrapés par des pièces mobiles.

Si des dispositifs sont fournis pour le raccordement d'accessoires d'extraction et de collecte de la poussière, assurez-vous qu'ils sont connectés et utilisés de façon appropriée. L'emploi correct des accessoires de collecte de la poussière peut réduire les dangers associés à la poussière.

Ne laissez pas la familiarité résultant de l'utilisation fréquente des outils vous inciter à devenir complaisant(e) et à ignorer les principes de sécurité des outils. Une action négligente pourrait causer des blessures graves en une fraction de seconde.

Utilisation et entretien de l'outil électrique

N'imposez pas de contraintes excessives à l'outil électrique. Utilisez l'outil électrique approprié pour votre application. L'outil correct fera le travail plus efficacement et avec plus de sécurité à la vitesse à laquelle il a été conçu pour fonctionner.

N'utilisez pas l'outil électrique si l'interrupteur de marche/arrêt ne permet pas de le mettre sous tension/hors tension. Tout outil électrique qui ne peut pas être contrôlé par son interrupteur est dangereux et doit être réparé.

Débranchez la fiche de la prise secteur et/ou retirez le bloc-piles de l'outil électrique (s'il est amovible) avant d'y apporter de quelconques modifications, de changer d'accessoire ou de ranger l'outil électrique. De telles mesures de sécurité préventives

réduisent le risque de démarrage accidentel de l'outil.

Rangez les outils électriques qui ne sont pas utilisés activement hors de portée des enfants, et ne laissez aucune personne n'ayant pas lu ces instructions et ne sachant pas comment utiliser de tels outils se servir de ces derniers. Les outils électriques sont dangereux quand ils sont entre les mains d'utilisateurs n'ayant pas reçu la formation nécessaire à leur utilisation.

• **Entretenez de façon appropriée les outils électriques et les accessoires. Assurez-vous que les pièces en mouvement sont bien alignées et qu'elles ne se coincent pas, qu'il n'y a pas de pièces cassées ou qu'il n'existe aucune situation pouvant affecter le fonctionnement de l'outil électrique. Si l'outil électrique est endommagé, faites-le réparer avant de vous en servir à nouveau.** De nombreux accidents sont causés par des outils électriques mal entretenus.

Gardez les outils de coupe tranchants et propres. Des outils de coupe entretenus de façon adéquate avec des bords de coupe tranchants sont moins susceptibles de se coincer et sont plus faciles à contrôler.

Utilisez l'outil électrique, les accessoires, les mèches, etc. conformément à ces instructions, en tenant compte des conditions de travail et du travail à exécuter. L'utilisation de l'outil électrique pour des opérations différentes de celles pour lesquelles il est conçu pourrait causer une situation dangereuse.

Gardez les poignées et les surfaces de préhension propres, sèches et exemptes de toute trace d'huile ou de graisse. Les poignées et les surfaces de préhension glissantes ne permettent pas une manipulation et un contrôle sûrs de l'outil dans des situations inattendues.

Service après-vente

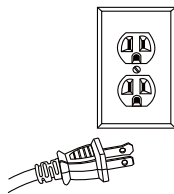
Faites entretenir votre outil électrique par un réparateur compétent n'utilisant que des pièces de rechange identiques. Ceci assurera le maintien de la sécurité de l'outil électrique.

Spécifications du moteur

En cas de problème de fonctionnement ou de panne, la mise à la terre fournit un chemin de fuite de moindre résistance pour le courant électrique afin de réduire le risque de choc électrique. Cet outil est muni d'un cordon électrique ayant un conducteur de mise à la terre d'équipement et une fiche de mise à la terre. La fiche doit être branchée dans une prise correspondante qui est installée correctement et mise à la terre conformément à tous les codes et arrêtés applicables. Cette scie est câblée pour fonctionner sur du courant alternatif de 110-120 volts, 60 Hz. Avant de connecter le cordon du moteur à une source d'alimentation, assurez-vous que l'interrupteur est dans la position d'arrêt (« OFF ») et vérifiez que le courant électrique a les mêmes caractéristiques que celles qui sont estampées sur la plaque signalétique de la scie à table.

Connexion à une source d'alimentation

• Cette machine doit être mise à la terre pendant son utilisation afin de protéger son opérateur contre tout risque de choc électrique. Branchez le cordon d'alimentation dans une prise de courant de 110-120 V mise à la terre correctement et protégée par un disjoncteur ou un fusible temporisé à élément double de 15 A. Toutes les prises de courant ne sont pas toujours mises à la terre de façon appropriée. Si vous ne savez pas si votre prise de courant est correctement mise à la terre conformément à ce que vous voyez sur l'illustration de cette page, veuillez consulter un électricien.



Pour éviter tout risque de choc électrique, ne touchez pas les broches en métal sur la fiche lorsque vous installez la fiche dans la prise de courant ou lorsque vous l'en retirez. Si cet outil électrique n'est pas mis à la terre correctement, il existe un risque d'électrocution ou de choc grave, en particulier s'il est utilisé à proximité de canalisations ou d'autres objets en métal. En cas de choc, votre réaction pourrait pousser vos mains qui entreraient alors en contact avec l'outil.

Si le cordon d'alimentation est utilisé

ou coupé, ou endommagé de toute autre manière, faites-le remplacer immédiatement pour ne pas risquer de choc ou d'incendie.

Votre outil est conçu pour une utilisation sur 120 volts et est équipé d'un cordon à 3 conducteurs et d'une fiche de mise à la terre, approuvés par Underwriters Laboratories et par l'Association canadienne de normalisation. Le conducteur de mise à la terre a une gaine verte et est attaché au boîtier de l'outil à une extrémité et à la broche de mise à la terre dans la fiche de l'attachement de l'autre côté.

Si la prise de courant que vous avez l'intention d'utiliser pour cet outil électrique est du type à deux broches, **IL NE FAUT RETIRER OU ALTÉRER LA BROCHE DE MISE À LA TERRE EN AUCUNE MANIÈRE.** Demandez à un électricien professionnel de remplacer la prise de courant à DEUX broches par une prise de courant à TROIS broches correctement mise à la terre. N'utilisez pas d'adaptateurs de fiches.

Une connexion incorrecte du conducteur de mise à la terre de l'équipement pourrait causer un risque de choc électrique. Le conducteur isolé avec une surface extérieure verte avec ou sans bandes jaunes est le conducteur de mise à la terre de l'équipement. Si la réparation ou le remplacement du cordon d'alimentation ou de la fiche électrique est nécessaire, ne connectez pas le conducteur de mise à la terre de l'équipement à une borne sous tension. Consultez un électricien professionnel ou un membre du personnel d'entretien si les instructions de mise à la terre ne sont pas complètement comprises ou en cas de doute sur l'efficacité de la mise à la terre de l'outil.

Cordons de rallonge

Remplacez immédiatement les cordons s'ils sont endommagés. L'utilisation de cordons endommagés peut causer un choc électrique ou une brûlure, et même peut-être une électrocution.

Utilisez toujours des cordons de rallonge appropriés. Utilisez seulement des cordons de rallonge à trois fils ayant des fiches de mise à la terre à trois broches et des prises à trois trous pour recevoir la fiche de l'outil. Si un cordon de rallonge est nécessaire, un cordon avec des conducteurs de taille adéquate doit être utilisé pour empêcher une chute de

Avertissements Généraux Relatifs À La Sécurité Pour Les Outils Électriques

tension excessive, une perte d'alimentation ou une situation de surchauffe. Le tableau montre la taille correcte à utiliser en fonction de la longueur du cordon et de l'intensité nominale de l'outil indiquée sur la plaque signalétique. En cas de doute, utilisez le cordon de calibre immédiatement supérieur. Utilisez toujours des cordons de rallonge homologués U.L. et ACNOR.

DIMENSIONS RECOMMANDÉES DES CORDONS DE RALLONGE POUR OUTILS FONCTIONNANT SUR COURANT ALTERNATIF DE 120 VOLTS

Intensité nominale de l'outil	Taille du cordon en A.W.G.				Tailles des fils en mm ²			
	Longueur du cordon (en pi)				Longueur du cordon (en m)			
	25	50	100	150	15	30	60	120
3-6	18	16	16	14	0.75	0.75	1.5	2.5
6-8	18	16	14	12	0.75	0.75	2.5	4.0
8-10	18	16	14	12	0.75	0.75	2.5	4.0
10-12	16	16	14	12	1.0	2.5	4.0	—
12-16	14	12	—	—	—	—	—	—

REMARQUE: Plus le chiffre du calibre est petit, plus le cordon est lourd.

⚠ AVERTISSEMENT Lisez toutes les instructions. Le non-respect des CONSIGNES DE SÉCURITÉ indiquées ci-dessous identifiées par le symbole de PUCE (•) et d'autres précautions de sécurité élémentaires pourrait entraîner des blessures graves.

CONSERVEZ CES INSTRUCTIONS

Consignes de sécurité pour les scies à onglet

Les scies à onglet sont conçues pour couper le bois ou des produits similaires au bois ; elles ne peuvent pas être utilisées avec des meules de tronçonnage abrasives pour couper des matériaux ferreux tels que des barres, des tiges, des goujons, etc. La poussière abrasive a pour effet que des pièces mobiles telles que le dispositif de protection inférieur ont tendance à se coincer. Les étincelles causées par la coupe de matériaux abrasifs brûleront le dispositif de protection inférieur, la plaque amovible à entailler et d'autres pièces en plastique.

Utilisez des brides de fixation pour supporter l'ouvrage dans la mesure du

possible. Si vous soutenez l'ouvrage à la main, vous devez toujours garder votre main à au moins 10 cm / 4 po de chaque côté de la lame de la scie. N'utilisez pas cette scie pour couper des pièces qui sont trop petites pour être assujetties au moyen de brides de fixation ou tenues à la main en toute sécurité. Si vous placez votre main trop près de la lame de la scie, vous augmentez les risques de vous blesser en cas de contact avec la lame.

L'ouvrage doit être stationnaire et assujetti au moyen de brides de fixation ou maintenu contre le guide et la table. Ne poussez pas l'ouvrage à la main en direction de la lame et ne coupez pas « à main levée » de quelque façon que ce soit. Des pièces non retenues ou en mouvement pourraient être projetées à grande vitesse et causer des blessures.

Poussez la scie à travers l'ouvrage. Ne tirez pas la scie à travers l'ouvrage. Pour faire une coupe, soulevez la tête de la scie et tirez-la pour la faire sortir de l'ouvrage sans couper, faites démarrer le moteur, appuyez sur la tête de la scie et poussez la scie à travers l'ouvrage. Le fait de couper pendant la partie de l'opération consistant à tirer risque de faire grimper la lame de la scie sur le dessus de l'ouvrage et de projeter violemment l'ensemble de lame vers l'opérateur.

Ne croisez jamais votre main sur la ligne de coupe prévue, soit devant, soit derrière la lame de scie. Il est très dangereux de soutenir la pièce à « main croisée », c'est-à-dire de tenir l'ouvrage à droite de la lame de scie avec votre main gauche ou vice-versa.

Ne tendez pas la main pour atteindre l'arrière du guide à moins de 10 cm / 4 po de chaque côté de la lame de la scie, pour retirer des débris de bois ou pour toute autre raison pendant que la lame tourne. La proximité de la lame de scie en train de tourner et votre main n'est pas toujours évidente, et vous pourriez subir une blessure grave.

Inspectez votre ouvrage avant de commencer à couper. Si l'ouvrage est tordu ou courbé, assujettissez-le de manière que la partie extérieure recourbée soit face au guide. Assurez-vous toujours

qu'il n'y a pas d'espace entre l'ouvrage, le guide et la table le long de la ligne de coupe. Les ouvrages courbés ou tordus peuvent subir une torsion supplémentaire ou bouger, ce qui risquerait d'avoir pour effet que la lame de la scie en train de tourner se coince pendant la coupe. Il ne doit pas y avoir de clous ou de corps étrangers dans l'ouvrage.

N'utilisez pas la scie jusqu'à ce que tous les outils, débris en bois, etc., aient été retirés de la table de travail, et qu'il ne reste plus que l'ouvrage. De petits déchets ou des morceaux de bois non sécurisés, ou d'autres objets qui pourraient entrer en contact avec la lame en train de tourner, risqueraient d'être projetés à grande vitesse.

Ne coupez qu'un ouvrage à la fois. Il n'est pas possible d'assujettir par des brides de fixation ou de sécuriser par ailleurs de multiples ouvrages à la fois de façon adéquate, et ils risqueraient de se coincer sur la lame ou de changer de position pendant la coupe.

Vérifiez que la scie à onglet est montée ou placée sur une surface de travail ferme et de niveau avant de commencer à utiliser la scie. Une surface de travail ferme et de niveau réduit le risque de rendre la scie à onglet instable.

Planifiez votre travail. Chaque fois que vous modifiez le réglage de l'angle du biseau ou de l'onglet, assurez-vous que le guide réglable est correctement réglé pour supporter l'ouvrage et qu'il n'interfère pas avec la lame ou le système de protection. Sans mettre l'outil sous tension (« ON ») et sans ouvrage à usiner sur la table, déplacez la lame de scie à travers une coupe simulée complète pour vous assurer qu'il n'y aura pas d'interférence ou de danger de couper le guide.

Prévoyez un support adéquat tel que des rallonges de table, des chevalets de sciage, etc. si votre ouvrage est plus large ou plus long que le dessus de table. Les ouvrages plus longs ou plus larges que la table de scie à onglet peuvent basculer s'ils ne sont pas solidement supportés. Si l'ouvrage ou la partie coupée de l'ouvrage bascule, ceci risque de soulever le dispositif de protection de protection inférieur, ou l'ouvrage peut être projeté par la lame en

train de tourner.

N'utilisez pas une autre personne pour tenir l'ouvrage à la place d'une rallonge de table ou d'un dispositif de support additionnel. Un support instable pour l'ouvrage peut entraîner le coincement de la lame ou le déplacement de l'ouvrage à usiner pendant l'opération de coupe, vous attirant ainsi que la personne qui vous aide vers la lame en rotation.

La partie coupée de l'ouvrage ne doit être coincée ou assujettie d'aucune façon contre la lame de scie en train de tourner. Si elle est confinée, par exemple en conséquence de l'utilisation de butées de longueur, la pièce coupée pourrait être coincée contre la lame et projetée violemment.

Utilisez toujours une bride de fixation ou un dispositif conçu pour supporter adéquatement des matériaux ronds tels que des tiges ou des tubes. Les tiges ont tendance à rouler pendant la coupe, ce qui fait que la lame « mord » l'ouvrage et l'attire ainsi que votre main dans la lame.

Attendez que la lame atteigne sa vitesse de croisière avant de la mettre en contact avec l'ouvrage. Ceci réduira le risque de projection de l'ouvrage.

Si l'ouvrage ou la lame se coince, éteignez la scie à onglet. Attendez que toutes les pièces mobiles s'arrêtent et débranchez la fiche de la source d'alimentation et/ou retirez le bloc-piles. Puis efforcez-vous de dégager la pièce coincée. Si vous continuez à scier alors que l'ouvrage est coincé, vous risquez de perdre le contrôle de la scie à onglet ou de l'endommager.

Après avoir terminé la coupe, relâchez l'interrupteur, tenez fermement la scie avec la tête en bas et attendez que la lame cesse de tourner avant de retirer la partie de l'ouvrage qui a été découpée. Il est dangereux d'étendre la main près d'une lame en train de tourner.

Tenez fermement la poignée lorsque vous effectuez une coupe incomplète ou lorsque vous relâchez l'interrupteur avant que la tête de la scie ne soit en position complètement abaissée. L'action de freinage de la scie peut entraîner une chute brutale de la tête de la scie, ce qui risque de provoquer des blessures.

Avertissements Supplémentaires

Rangez vos outils une fois mis hors tension hors de portée des enfants et de toutes autres personnes n'ayant pas reçu une formation leur permettant de les utiliser. Les outils sont dangereux quand ils sont entre les mains d'utilisateurs n'ayant pas reçu la formation nécessaire à leur utilisation.

Ne laissez pas un outil électrique en marche sans supervision ; éteignez-le. Ne vous éloignez pas de celui-ci avant qu'il ait complètement cessé de fonctionner.

ASSUREZ LA SÉCURITÉ DANS L'ATELIER AU CAS OÙ DES ENFANTS SERAIENT PRÉSENTS AVEC DES CADENAS OU DES INTERRUPTEURS, ou en retirant les clés de démarrage.

Avant de brancher l'outil, assurez-vous que la tension d'alimentation fournie est compatible avec la tension indiquée sur la plaque signalétique dans une plage de plus ou moins 10 %. Une tension de sortie incompatible avec celle qui est spécifiée sur la plaque signalétique peut entraîner des risques graves et des dommages à l'outil.

Ne montez jamais sur l'outil ou sur son socle. L'utilisateur s'expose à de graves blessures si l'outil de coupe est renversé ou s'il entre accidentellement en contact avec son corps. N'entreposez pas d'objets quelconques sur l'outil ou à proximité de celui-ci de façon à ce qu'il soit alors nécessaire de monter sur l'outil ou sur son support pour les atteindre.

N'utilisez pas l'outil électrique dans un but pour lequel il n'a pas été conçu - par exemple, n'utilisez pas la scie à onglet pour couper de la viande en tranches.

Utilisez des brides de fixation ou un autre moyen pratique de sécuriser et de supporter l'ouvrage sur une plateforme stable. Le fait de tenir l'ouvrage à la main ou contre votre corps est instable. L'ouvrage risquerait de se déplacer et de causer le coincement de l'outil et une perte de contrôle.

Lorsque vous coupez des ouvrages de forme irrégulière, placez-les de telle façon qu'ils ne risquent pas de glisser ou de pincer la mèche, ce qui vous en ferait perdre le contrôle. Une pièce de moulure, par exemple, doit reposer à plat ou être maintenue par un appareil ou un gabarit qui ne la laissera pas se tordre, basculer ou

glisser pendant la coupe.

Pour une coupe de type déchiquetage, déplacez l'ensemble de tête aussi loin que possible en arrière, et engagez le mécanisme de verrouillage. Mettez ensuite la scie en marche et abaissez l'ensemble de tête pour faire la coupe. Relâchez l'interrupteur et attendez que la lame s'arrête complètement avant de relever la tête et de retirer l'ouvrage. Si vous ne verrouillez pas le mécanisme, la lame peut monter brusquement sur le dessus de l'ouvrage et avancer vers vous avec une grande force.

Ne faites pas fonctionner la scie dans la plage suivante de combinaisons d'onglets et de biseaux : biseau à gauche de 45° à 47° PLUS onglet à droite de 46° à 60°. Ces combinaisons d'onglets et de biseaux peuvent provoquer des interférences entre les parties coulissante et fixe de la scie ou entre les parties coulissantes et l'ouvrage – pour couper, retirez le guide coulissant et le bouton de verrouillage du guide coulissant.

L'action de freinage de la scie cause un mouvement rapide vers le bas de la tête de la scie. Préparez-vous pour cette réaction lorsque vous effectuez une coupe incomplète ou lorsque vous relâchez l'interrupteur avant que la tête de la scie ne soit en position complètement abaissée.

Si la lame ne cesse pas de fonctionner dans les cinq (5) secondes, débranchez la scie et suivez les instructions de la section consacrée à la recherche des causes des problèmes.

Pour réduire les risques de blessures, utilisez une lame de scie d'une vitesse nominale de 4 000/min (tr/min) ou plus.

Ne laissez pas l'habitude découlant d'un usage fréquent de votre scie à onglet endormir votre vigilance. N'oubliez jamais qu'une fraction de seconde d'inattention suffit pour entraîner de graves blessures.

La sécurité avant tout ! Pour assurer sa sécurité, l'utilisateur doit faire preuve de bon sens et de vigilance, ainsi que suivre les consignes de sécurité, pendant tout le temps durant lequel il se sert de la scie à onglet.

Débranchez toujours le cordon d'alimentation de la prise de courant

Avertissements Supplémentaires

avant de transporter la scie à onglet.


Débranchez le cordon d'alimentation, abaissez la tête et verrouillez-le en utilisant la goupille de verrouillage, et utilisez la poignée de transport incluse dans la partie supérieure du bras de scie et l'une des empreintes de main dans la base de la scie

Il existe des consignes de sécurité supplémentaires pour des opérations particulières de la scie dans la section Opérations de la scie. Lisez le reste du mode d'emploi pour assurer un fonctionnement en toute sécurité.

CONSIGNES DE SÉCURITÉ ADDITIONNELLES

SYMBOLES

Certains des symboles suivants peuvent être utilisés sur votre outil. Veuillez les étudier et apprendre leur signification. L'interprétation correcte de ces symboles vous aidera à mieux utiliser l'outil et à vous en servir plus efficacement et en toute sécurité.

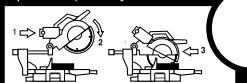
Symbole	Nom	Explication de la désignation
ϕ	diamètre	diamètre
V	Volts	Tension (potentiel)
A	Ampères	Courant
Hz	Hertz	Fréquence (cycles par seconde)
W	Watts	Alimentation
	Courant alternatif	Type de courant
	Courant continu	Type ou caractéristique du courant
n_0	Vitesse à vide	Vitesse de rotation à vide
	Construction de Classe II	Construction à double isolation
.../min	Par minute	Tours, coups, vitesse en surface, orbites, etc. par minute
	Alerte pour conditions humides	N'exposez pas à la pluie et n'utilisez pas dans des endroits humides.
	Lisez le mode d'emploi	Pour réduire le risque de blessure, l'utilisateur doit lire et comprendre le mode d'emploi avant d'utiliser ce produit.
	Protection des yeux	Portez toujours des lunettes de protection ou des lunettes de sécurité à écrans latéraux et un masque couvrant tout le visage lors de l'utilisation de ce produit.
	Alerte relative à la sécurité	Précautions en liaison avec votre sécurité.
	Symbole d'un endroit où il ne faut pas mettre la main	Le fait de ne pas tenir vos mains éloignées de la lame peut entraîner des blessures graves.
	Surface très chaude	Pour réduire le risque de blessure ou de dommage, évitez tout contact avec une surface très chaude.

⚠️ AVERTISSEMENT LES AVERTISSEMENTS MONTRÉS CI-DESSOUS PEUVENT ÊTRE TROUVÉS SUR VOTRE OUTIL. CES AVERTISSEMENTS NE SONT QUE DES FORMES CONDENSÉES DES CONSIGNES DE SÉCURITÉ PLUS DÉTAILLÉES ET DES PRÉCAUTIONS APPARAISSANT DANS VOTRE MODE D'EMPLOI. ILS SERVENT DE RAPPEL DE TOUTES LES CONSIGNES DE SÉCURITÉ NÉCESSAIRES POUR UNE UTILISATION SÛRE DE CETTE SCIE À ONGLET.

⚠️ WARNING To reduce risk of injury, user must read instruction manual. Wear eye protection. Use saw blade rated 4000/min or greater. Do not use saw without functioning guard system. If guard doesn't operate smoothly, have it serviced. After changing blade return motor to operating position. Keep hands a safe distance from saw blade. Always keep outside of No-Hands zone. Disconnect saw from power source before servicing or changing blade. Never stand around or in the back of the saw blade. Hold or clamp workpiece against base and fence. Never perform any operation freehand. Do not Cross-Hand cut. Never place your hands or arms across the projected saw blade path. With motor OFF, make a Dry-Run to be aware of the blade's reach. After turning saw OFF, keep saw in the down position and wait for blade to stop before removing cutoff pieces or changing settings. To avoid electrical shock, do not expose to rain or use in damp locations. When servicing use only identical replacement parts. For bevel or compound cutting, adjust sliding fence clear of blade path and guard system.

⚠️ FOR SAFE ACTION CUTTING, ALWAYS FOLLOW THESE INSTRUCTIONS:

1. PULL saw handle away from the fence, until blade clears the work-piece or to its maximum extension if blade can not clear the workpiece. 2. Turn saw "ON" and lower the saw to the table. 3. PUSH saw into the workpiece, never "pull-cut" since blade may climb the workpiece causing KICKBACK.



⚠️ POUR UNE COUPE LE LONG D'UN OMBRE, TOUJOURS SUIVRE CES INSTRUCTIONS:

1. TIRER le cadre de la scie hors du guide, jusqu'à ce que la lame sorte de la pièce de travail ou à son extension maximale si elle ne peut sortir de la pièce. 2. Mettre la scie sur « MARCHÉ » et l'abaisser vers la table. 3. POUSSER la scie dans la pièce à couper. Ne jamais couper en tirant. La lame pourrait monter sur la pièce de travail et provoquer un REBOND.

⚠️ PARA REALIZAR UN CORTE CON ACCIÓN DELONGANTE, SIEMPRE SIGUIR ESTAS INSTRUCCIONES:

1. TIRAR del carro de la sierra alejándolo del topa-juiga, hasta que la hoja pase la pieza de trabajo o hasta su máxima extensión si la hoja no puede pasar la pieza de trabajo. 2. Encender la sierra y bajarla hasta la mesa. 3. EMPUJAR la sierra a través de la pieza de trabajo. No corte nunca corte "tirando de la sierra", ya que la hoja podría trepar por la pieza de trabajo, causando RETRÓCESO.



CROWN CUTTING In the FLAT			
MITER	BEVEL	MITER	BEVEL
INSIDE LEFT CORNER	31.6° RIGHT	33.9° LEFT	31.6° LEFT
SAVE LEFT	TOP EDGE AGAINST FENCE	BOTTOM EDGE AGAINST FENCE	SAVE RIGHT
INSIDE RIGHT CORNER	31.6° LEFT	33.9° RIGHT	31.6° LEFT
SAVE LEFT	BOTTOM EDGE AGAINST FENCE	TOP EDGE AGAINST FENCE	SAVE RIGHT

⚠️ ADVERTENCIA Para reducir el riesgo de lesiones, el usuario debe leer el manual de instrucciones. Use protección de los ojos. Use una hoja de sierra con capacidad nominal de 4000/min o mayor. No use la sierra si el sistema del protector no funciona correctamente. Si el protector no funciona con suavidad, haga que le den servicio de ajustes y reparaciones. Después de cambiar la hoja, repase el protector a la posición de funcionamiento. Mantenga las manos a una distancia segura de la hoja de sierra. Manténgalas siempre fuera de la zona de "manos no". Desconecte la sierra de la fuente de energía antes de realizar servicio de ajustes y reparaciones o de cambiar la hoja. No ponga nunca las manos alrededor de la hoja de sierra ni detrás de ella. Fije o sujete con abrazaderas la pieza de trabajo contra la base y el topa-juiga. No realice nunca operaciones a juicio. No corte transversalmente a las manos. Nunca ponga los brazos en la trayectoria proyectada de la hoja de sierra. Con el motor en la posición de apagado, haga una pasada de prueba para comprobar el alcance de la hoja. Después de apagar la sierra, manténgala en la posición hacia abajo y espere a que la hoja se detenga antes de retirar las piezas cortadas o cambiar los ajustes. Para evitar las descargas eléctricas, no exponga la herramienta a la lluvia ni a lugares húmedos. Cuando haga servicio de ajustes y reparaciones de la herramienta, utilice únicamente piezas de repuesto idénticas. Para realizar cortes en bisel o compuestos, ajuste el topa-juiga de manera que no esté en la trayectoria de la hoja y ni interfiera con el sistema del protector.

⚠️ AVERTISSEMENT Pour réduire le risque de blessure, lire le mode d'emploi. Portez une protection oculaire. Utilisez une lame homologuée pour 4000 coups/min ou plus. Ne pas utiliser la scie sans système de protection en état de marche. Si le dispositif de protection ne fonctionne pas correctement, le faire réparer. Après un changement de lame, remettre le dispositif de protection en position de fonctionnement. Garder les mains à une distance sûre de la lame de scie. Toujours rester hors de la zone Pas de mains. Débranchez la scie avant de l'entretenir ou de changer la lame. Ne touchez pas le bras de l'autre côté ou à l'arrière de la lame de scie. Maintenez ou fixez la pièce à travailler contre une base ou un guide. Ne jamais effectuer l'opération à main levée. Ne pas couper en travers de la main. Ne jamais placer la main ou le bras dans la trajectoire prévue de la lame. Le moteur à l'arrêt, simuler un trajet sans couper pour vérifier la portée de la lame. Après l'arrêt de la scie, garder la scie en position basse et attendre que la lame s'arrête avant de retirer les pièces découpées ou de changer de réglage. Afin d'éviter une décharge électrique, ne pas exposer à la pluie ni utiliser dans des endroits humides. En cas de réparation, n'utiliser que des pièces de rechange identiques. Pour une coupe en biseau ou de composé, régler le guide coulissant hors du trajet de la lame et du dispositif de protection.

WORM DRIVE
SKILSAW
SPT 88

0127 (305mm) 8802340000 SN: XXXXXVVVVV
120V~ 60Hz 15A, 60 4000/min

Cherson North America Naperville, IL 60563 Made in China

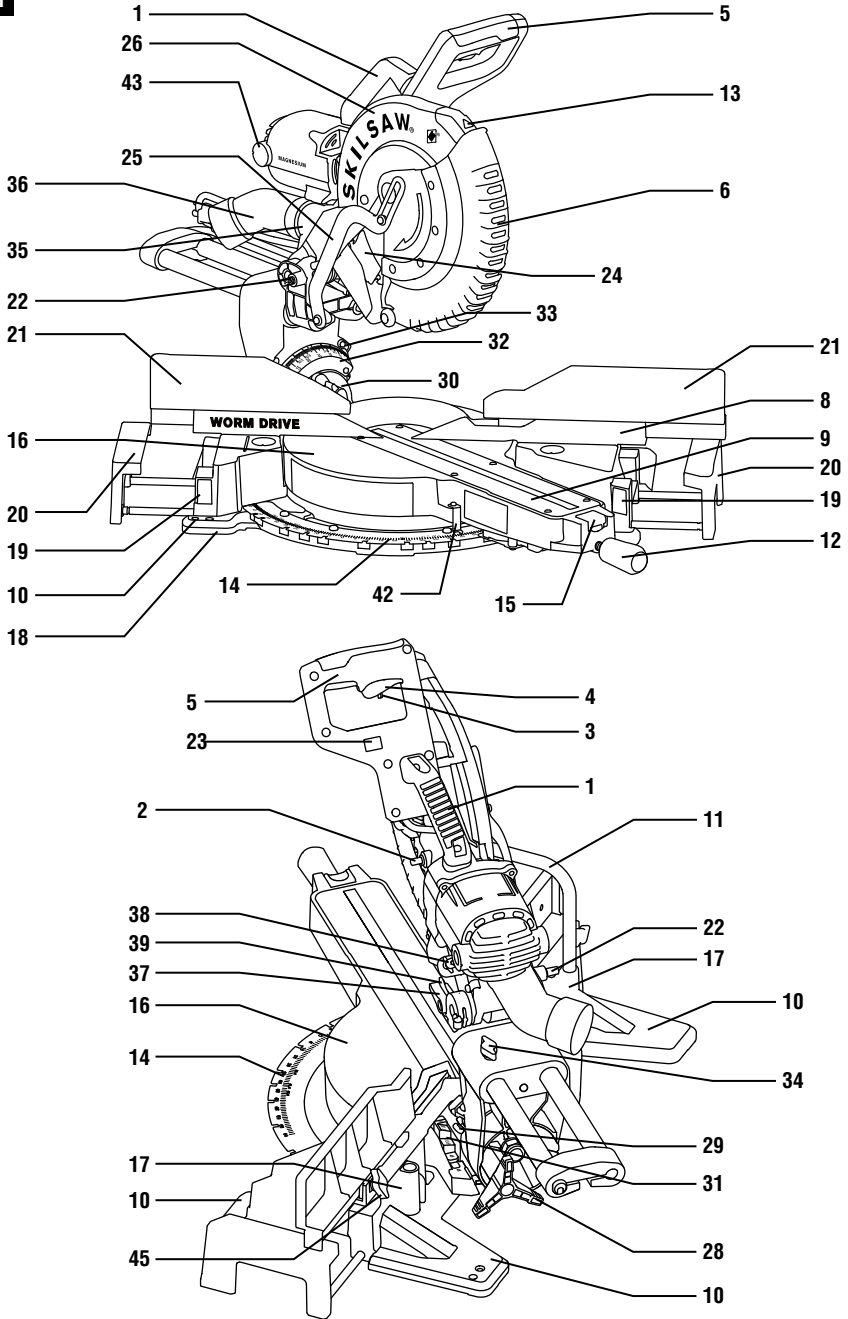
GLOSSAIRE TERMINOLOGIQUE DE L'OPÉRATEUR

- **Coupe en biseau** : Une opération de coupe effectuée avec la lame à tout angle autre que 90° par rapport à la table d'onglet.
- **Bride de fixation de la lame** : Un anneau ou un collier sur une broche ou un arbre qui permet à d'autres objets, tels qu'une lame, d'y être attachés.
- **Coupe angulaire composée** : Une coupe faite en utilisant à la fois un angle d'onglet et un angle de biseau en même temps.
- **Coupe transversale** : Une opération de coupe effectuée contre le grain de l'ouvrage.
- **Trait de scie** : Le matériau enlevé par la lame lors d'une coupe traversante ou la fente produite par la lame lors d'une coupe non traversante ou partielle.
- **Effet de rebond** : Un risque qui peut survenir lorsque la lame se bloque ou se coince, projetant alors l'ouvrage vers l'opérateur.
- **Coupe d'onglet** : Une opération de coupe effectuée avec la lame à tout angle autre que 90° par rapport au guide.
- **Couronne emboîtée** : Positionnement de la couronne à usiner à un angle entre le guide et la table pour éliminer le besoin de couper en biseau.
- **Zone où il ne faut pas mettre la main** : La zone comprise entre les traits marqués des côtés gauche et droit de la base. Cette zone est identifiée par les symboles de la zone où il ne faut pas mettre la main à l'intérieur des traits marqués sur la base.
- **Coupe non traversante** : Une opération de coupe effectuée avec la lame ne traversant pas totalement l'épaisseur de l'ouvrage.
- **Tours/minute (tr/min)** : Le nombre de tours accomplis par un objet en rotation pendant une minute.
- **Trajectoire de la lame de scie** : La zone située au-dessus, sous, derrière ou devant la lame, telle qu'elle s'applique à l'ouvrage ; la zone qui sera ou a été coupée par la lame.
- **Broche** : L'arbre rotatif sur lequel une lame ou un outil de coupe est monté.
- **Ouvrage ou matériau** : L'objet sur lequel l'opération de coupe est effectuée. Les différentes surfaces d'un ouvrage sont communément appelées faces, extrémités et bords.

FAMILIARISEZ-VOUS AVEC VOTRE SCIE À ONGLET

Scie à onglet SPT88 de 12 po

FIG. 1



FAMILIARISEZ-VOUS AVEC VOTRE SCIE À ONGLET

Pour éviter les blessures dues à un démarrage accidentel, débranchez la fiche de la prise de courant avant de procéder à tout réglage.

1. Poignée de transport

Cette poignée est incorporée à l'ensemble de tête pour utilisation pendant le transport.

2. Mécanisme de verrouillage de la broche

Permet à l'utilisateur d'empêcher la lame de tourner lors du serrage ou du desserrage du boulon de fixation de la lame lors du remplacement ou du retrait de la lame.

3. Languette de verrouillage

La languette ambidextre doit être tournée vers la gauche pour pouvoir activer l'interrupteur.

4. Interrupteur°

L'interrupteur met l'outil sous tension quand il est enfoncé.

5. Poignée de l'interrupteur

Cette poignée contient l'interrupteur. La lame est abaissée dans l'espace de travail en appuyant sur la poignée/en tirant dessus. La lame est poussée à travers l'ouvrage en appuyant sur la poignée.

6. Dispositif de protection inférieur de la lame

Aide à protéger vos mains contre la lame en rotation. Il se rétracte lorsque la lame est abaissée.

7. Lame

Utilisez seulement des lames de 12 po / 30,5 cm avec un trou d'arbre de 1 po / 2,5 cm.

8. Guide fixe

Supporte l'ouvrage.

9. Plaque amovible

Minimise les risques de déchirement de l'ouvrage.

10. Tampons de montage de l'outil

Quatre zones pour fixer, boulonner ou clouer la scie sur une surface de travail plate.

11. Pince de fixation verticale

Permet de fixer rapidement en place l'ouvrage.

12. Bouton de verrouillage d'onglet

Verrouille la table de scie à onglet à n'importe quel angle d'onglet désiré.

13. Éclairage avec ombre

L'éclairage à DEL qui projette une ombre de la lame pour aider à identifier l'endroit où la lame entrera en contact avec l'ouvrage.

14. Échelle à onglet avec crans d'onglet

Cette échelle vous permet de lire et de régler facilement les angles d'onglet. Il existe neuf (9) crans d'onglet qui permettent des coupes d'onglet rapides et précises pour tous les angles d'onglet courants.

15. Bouton de verrouillage de cran d'onglet

Appuyez sur le bouton de verrouillage de cran d'onglet pour neutraliser les crans d'onglet. Appuyez sur le bouton de verrouillage de cran d'onglet et enfoncez-le pour neutraliser la fonction d'activation des crans. Appuyez à nouveau sur le bouton de verrouillage de cran d'onglet pour relâcher le bouton et réengager la fonction d'activation des crans.

16. Table

Repose dans la base, fournit du support à l'ouvrage, tourne pour produire les coupes d'onglet désirées et fait tourner l'ensemble de tête de la scie.

17. Positions de fixation verticales

Il existe deux (2) positions dans la base pour la bride de fixation de l'ouvrage.

18. Base

Fournit une surface de travail pour supporter l'ouvrage.

19. Boutons de verrouillage des rallonges

Il existe un bouton de verrouillage de rallonge pour chacune des rallonges de la table des deux côtés de la base. Appuyez sur le bouton de verrouillage de rallonge pour déverrouiller la rallonge de la table. Les rallonges de la table se verrouillent automatiquement en position complètement ouverte ou complètement fermée.

FAMILIARISEZ-VOUS AVEC VOTRE SCIE À ONGLET

20. Rallonges de table

Fournissent un support supplémentaire et une zone de fixation sur chaque extrémité de la base. Chaque rallonge de table se verrouille dans deux positions possibles seulement : fermée et complètement ouverte.

21. Guides coulissants

Fournissent un support de hauteur maximum pour l'ouvrage et glissent loin de la lame pour permettre des coupes en biseau et composées faciles. Les guides ont également des trous qui peuvent être utilisés pour sécuriser un guide auxiliaire si on le désire.

22. Broche de verrouillage de l'ensemble de tête

Utilisée pour verrouiller l'ensemble de tête dans la position la plus basse afin de permettre un transport facile.

23. Interrupteur de marche/arrêt du module d'éclairage avec ombre

Allume et éteint le système d'éclairage à DEL avec ombre.

24. Déflecteur de copeaux

Prévient la pénétration de grands copeaux dans le dispositif de protection supérieur.

25. Articulation du dispositif de protection inférieur

Permet un mouvement en douceur du dispositif de protection inférieur.

26. Dispositif de protection supérieur de la lame

Couvre la partie supérieure de la lame.

27. Clé hexagonale

Utilisée pour serrer/desserrer le boulon de fixation de la lame, ajuster la plaque à onglet et enlever les barrières réglables et les butées de biseau. La clé hexagonale se range à l'arrière de la base

28. Bouton de verrouillage de biseau

Verrouille la scie à l'angle de biseau désiré.

29. Boulons de butée du biseau

Permettent un réglage du biseau à 45°. Il y en a un pour la biseau à gauche et un pour le biseau à droite.

30. Bouton de libération du biseau de droite

Tourne pour libérer la butée du biseau à 0° et permettre une coupe en biseau du côté droit. Il peut être utile pour biseauter le bras légèrement à gauche afin de relâcher toute pression sur le bouton de libération du biseau de droite.

31. Butées du biseau

Pour chaque direction du biseau, les butées du biseau glissent vers l'intérieur et vers l'extérieur afin de fournir un accès rapide aux angles de coupe en biseau courants.

32. Échelle de biseau

L'échelle vous permet de lire facilement les angles de biseau d'un côté ou de l'autre.

33. Indicateurs de l'échelle de biseau

Deux indicateurs de l'échelle de biseau pouvant être ajustés.

34. Bouton de verrouillage du rail coulissant

Tournez le bouton de verrouillage du rail coulissant pour verrouiller les rails coulissants dans n'importe quelle position.

35. Orifice de dépeussierage

L'orifice de dépeussierage fixe permet un attachement facile de certains tuyaux flexibles d'aspirateur et du sac à poussière.

36. Coude de déversoir de poussière

S'attache à l'orifice de dépeussierage et peut être tourné pour aider à diriger le flux de poussière. Il permet également un raccordement à un tuyau flexible d'aspirateur de 2,5 po / 5 cm.

37. Butée de profondeur de coupe

Faites tourner la butée de profondeur de coupe vers le bas pour permettre le contrôle de la profondeur de coupe.

38. Boulon et écrou à oreilles pour le réglage de la profondeur de coupe

Utilisé avec la butée de profondeur de coupe ; faites tourner le boulon de profondeur de coupe pour obtenir la profondeur de coupe souhaitée, puis fixez-le avec l'écrou à oreilles.

39. Butée préréglée du bois de construction de dimensions courantes

La languette la plus mince derrière la butée de profondeur de coupe. La butée prédéfinie pour le bois de construction de dimensions courantes peut être abaissée pour offrir une capacité horizontale maximale pour le bois de construction de dimensions courantes 4x avec un biseau à 0° et pour le bois de construction de dimensions courantes 2x à un biseau à droite de 45°.

40. Bouchon du réservoir d'huile

Ouvrez le bouchon du réservoir d'huile pour vérifier le niveau d'huile ou pour ajouter de l'huile ou remplacer l'huile.

41. Bouchon de l'orifice de vidange de l'huile

Ouvrez le bouchon de l'orifice de vidange pour vider l'huile de la boîte d'engrenages.

42. Indicateur d'angle d'onglet

Peut être réglé facilement après un ajustement de l'échelle d'onglet.

43. Capuchons des balais

Utilisez un tournevis à tête plate pour retirer les capuchons des balais afin d'avoir accès aux balais du moteur.

45. Boulon de fixation de la lame

Utilisez la clé hexagonale fournie pour retirer le boulon de fixation de la lame afin de changer la lame. Il a un filet orienté vers la gauche.

46. Boutons de verrouillage du guide coulissant

Tournez les boutons pour déverrouiller les guides coulissants.

47. Butées de couronnes

Elles aident à sécuriser les ouvrages en position emboîtée. Il y a une butée à gauche et une butée à droite, une pour chaque côté de l'outil.

48. Bouton de butée de couronne

Le bouton de butée de couronne se visse sur le côté de la rallonge et permet de sécuriser la butée de couronne.

FAMILIARISEZ-VOUS AVEC VOTRE SCIE À ONGLET

SPÉCIFICATIONS

Intensité nominale de l'outil	15 A
Tension nominale	120 V c.a.
Fréquence	60Hz
Classe d'isolation	Classe I – Mise à la terre
Diamètre de la lame	12"
Diamètre du trou de l'arbre de la lame	1"
Vitesse à vide	4 000 tr/min
Épaisseur max. du trait de coupe de la lame de scie	3mm
Max. Angle d'onglet	60° à droite, 50° à gauche
Max. Angle de biseau	48° à droite et à gauche
Crans d'onglet	0°, 15°, 22,5°, 31,6°, 45° à droite et à gauche, 60° à droite, 50° à gauche
Butées du biseau	0°, 22.5°, 33,9°, 45°, 48° à gauche et à droite
Dimensions	largeur 794 mm (31-1/4 po), profondeur 483 mm (19 po), hauteur 508 mm (20 po)
Longueur du cordon	1,8 m / 6 pi
Poids	23.3 kg (51 lb)

CAPACITÉS DE COUPE

Angle d'onglet / Angle de biseau	Bois de construction de dimensions courantes (pouces)	Capacité réelle à déterminer	
		Pouces	Centimètres
	hauteur largeur	hauteur largeur	hauteur largeur
0° / 0° maximum height	4 x 14	3-5/8 x 13-1/2	9.2 x 34.2
45° right & left / 0°	4 x 10	3-5/8 x 9-1/2	9.2 x 24.1
50° right & left / 0°	4 x 8	3-5/8 x 8-5/8	9.2 x 21.9
60° right / 0°	4 x 6	3-5/8 x 6-5/8	9.2 x 16.8
0° / 45° left	2 x 14	1-9/16 x 13-1/2	3.9 x 34.2
0° / 45° right	2 x 14	1-9/16 x 13-1/2	3.9 x 34.2
45° / 45° left	2 x 10	1-9/16 x 9-1/2	3.9 x 24.1
45° / 45° right	2 x 10	1-9/16 x 9-1/2	3.9 x 24.1
Base Molding against Fence 0°, 45° left Miter	6 1/2	6 1/2	16.5
Base Molding against Fence 45° right Miter	3 1/2	3-5/8	9.2
Crown nested (52°)	5 1/2	5 1/2	14
Crown lying flat	11 1/2	11 1/2	29.2

ASSEMBLAGE

DÉBALLAGE ET INSPECTION DU CONTENU

⚠ AVERTISSEMENT Si des pièces sont manquantes, ne tentez pas de brancher le cordon d'alimentation ou de mettre l'interrupteur en marche avant d'avoir obtenu toutes les pièces manquantes et de les avoir installées correctement.

⚠ MISE EN GARDE Mise en garde : Avant de déplacer la scie : Verrouillez le bouton de verrouillage de l'onglet dans la position à 45° à gauche ou à droite. Verrouillez la poignée de verrouillage du biseau. Verrouillez l'ensemble de tête dans la position du bas.

Ne transportez jamais l'outil par son cordon d'alimentation ou par la poignée de l'interrupteur de l'ensemble de tête. En cas d'endommagement de l'isolation, il existerait un risque de choc électrique. L'endommagement des connexions électriques pourrait causer un incendie.

La scie à onglets coulissants composés

modèle SPT88 est expédiée au complet, en une seule boîte.

1. Séparez toutes les pièces des matériaux d'emballage et inspectez chacune d'entre elles en faisant référence au « Tableau des pièces détachées » afin de vous assurer que tous les composants sont présents avant de jeter de quelconques matériaux d'emballage.

2. Pièces détachées :

- Bride de fixation verticale – Permet de sécuriser rapidement l'ouvrage.
- Clé hexagonale – Rangée derrière le guide coulissant.
- Bouton de verrouillage d'onglet
- Sac à poussière
- Coude de déversoir de poussière
- 2 butées de couronnes (à gauche et à droite)
- 2 boutons de butées de couronnes
- Consignes de sécurité/Instructions d'utilisation

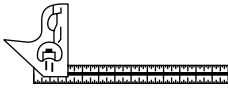
OUTILS NÉCESSAIRES POUR L'ASSEMBLAGE ET L'ALIGNEMENT



Clé Allen de taille 2
1/4 po hex., T30 Torx (fournie)



Clé hex. de 1/8 po
(non fournie)

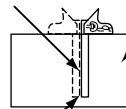


Équerre à combinaison (non fournie)

L'équerre à combinaison doit être exacte

Tracez un trait fin sur la planche le long de ce bord

Bord droit de la planche de 18 mm / 3/4 po d'épaisseur Ce bord doit être parfaitement droit.



Il ne doit y avoir ni jeu, ni chevauchement lorsque l'équerre est renversée dans la position pointillée.

⚠ AVERTISSEMENT Débranchez la fiche de la source d'alimentation avant de procéder à une quelconque opération de montage, de réglage ou de réparation afin d'éviter tout risque de blessure.

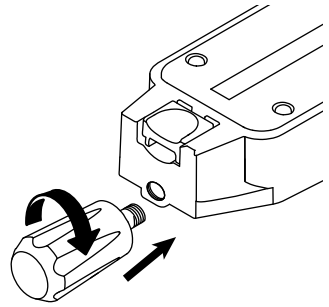
ASSEMBLAGE

INSTALLATION DU BOUTON DE VERROUILLAGE D'ONGLET

1. Localisez le bouton de verrouillage d'onglet parmi les pièces détachées.
2. Assemblez le bouton de verrouillage d'onglet sur le devant de la table comme illustré à la Fig. 2.

Ne serrez pas excessivement.

FIG. 2



RETRAIT ET L'INSTALLATION DE LA LAME

AVERTISSEMENT

Débranchez la fiche de la source d'alimentation avant de procéder à une quelconque opération de montage, de réglage ou de réparation afin d'éviter tout risque de blessure.

REMARQUE : Nettoyez tout excès d'huile pouvant se trouver sur la lame avant de l'installer.

1. Faites tourner le dispositif de protection inférieur 1 à la main de telle sorte que son articulation de fixation ne soit pas devant le boulon de fixation de la lame.
2. Appuyez sur le mécanisme de verrouillage de la broche et maintenez-le enfoncé. Utilisez la grande clé hexagonale pour retirer le boulon de fixation de la lame 4 en tournant la clé dans le sens des aiguilles d'une montre.

REMARQUE : La vis de fixation de la lame a un filet orienté vers la gauche.

3. Retirez le boulon de fixation de la lame 4, la rondelle extérieure 5 et la lame 6. Il n'est pas nécessaire de retirer la rondelle intérieure 7 (Fig. 3a, 3b).
4. Pour installer la lame de 12 po / 30,5 cm, insérez la lame entre les déflecteurs de copeaux 8 et sur l'épaulement de la rondelle intérieure 9 (Fig. 3a, 3b).

FIG. 3a

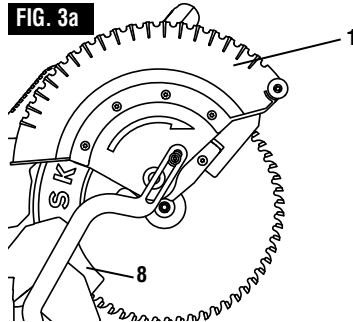
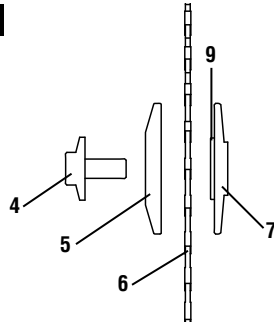


FIG. 3b



REMARQUE: Vérifiez que la flèche de sens de rotation sur la lame est bien alignée sur la flèche de sens de rotation dans le sens des aiguilles d'une montre du dispositif de protection inférieur.

AVERTISSEMENT

Utilisez uniquement des lames de coupe du bois dont le diamètre de lame correspond aux indications de la scie et dont la vitesse est égale ou supérieure à celle qui est indiquée sur l'outil.

ASSEMBLAGE

⚠ AVERTISSEMENT Utilisez uniquement des lames ayant un arbre de 2,5 cm / 1 po et des traits de coupe de 3 mm ou moins.

- Remettez la rondelle extérieure 5 dans le bon sens et serrez à la main le boulon de fixation de la lame 4. Appuyez sur le mécanisme de verrouillage de la broche et serrez fermement le boulon de fixation de la lame 4, sans trop serrer.
- Faites tourner le dispositif de fixation inférieur pour le mettre dans la position du bas.

- Vérifiez que le mécanisme de verrouillage de la broche est relâché pour que la lame puisse tourner librement.

⚠ AVERTISSEMENT Après avoir installé une nouvelle lame, abaissez la lame dans la fente de la table et assurez-vous qu'elle n'est pas en contact avec la base ou la structure de table tournante. Si la lame entre en contact avec la table, contactez un centre de service après-vente agréé.

UTILISATION DE LAMES À POINTES AU CARBURE

Manipulez avec précaution les lames à pointes au carbure.

Le carbure est très cassant et peut facilement être endommagé. Prenez des précautions lorsque vous installez, utilisez ou rangez les lames. N'utilisez pas une lame à pointes au carbure qui est tordue ou a des dents

tordues, si la lame est fissurée ou cassée, ou si elle a des pointes au carbure manquantes/desserrées.

Ne faites pas fonctionner une lame à pointes au carbure plus vite que sa vitesse recommandée.

Lisez, comprenez et appliquez tous les avertissements et toutes les instructions fournis avec vos lames à pointes au carbure.

RÉGLAGES

⚠ AVERTISSEMENT Débranchez la fiche de la source d'alimentation avant de procéder à une quelconque opération de montage, de réglage ou de réparation afin d'éviter tout risque de blessure.

REMARQUE : Votre scie à onglets composés a été totalement ajustée à l'usine. Cependant, il est possible que l'alignement ait été légèrement perturbé pendant le transport. Vérifiez les réglages suivants et ajustez-les si besoin est avant de commencer à utiliser cette scie à onglets composés.

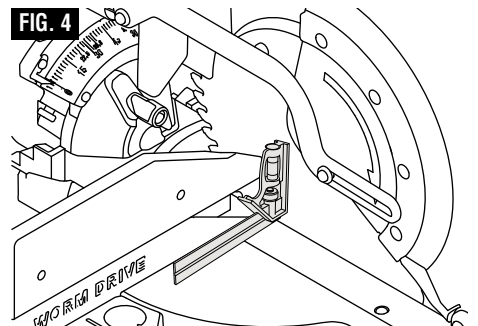
RÉGLAGE DU SYSTÈME DE BISEAU

⚠ AVERTISSEMENT Débranchez la fiche de la source d'alimentation avant de procéder à une quelconque opération de montage, de réglage ou de réparation afin d'éviter tout risque de blessure.

RÉGLAGE DE L'ÉQUERRE DE BISEAU PAR RAPPORT À LA TABLE

Pour aligner l'équerre de la lame par

rapport à la table, verrouillez le bras dans la position du bas au moyen de la broche de verrouillage de l'ensemble de tête. Placez une équerre contre la lame en vous assurant que l'équerre ne repose pas au-dessus d'une dent. Desserrez le bouton de verrouillage du biseau et assurez-vous que le bras est fermement contre la butée de biseau à 0°. Tournez la vis de réglage de biseau à 0° avec une clé hexagonale de 1/8 po, selon ce qui sera nécessaire, afin que la lame se trouve à un angle de biseau de 0° par rapport à la table.



RÉGLAGES

RÉGLAGE DE L'INDICATEUR DE L'ÉCHELLE DE BISEAU

Après avoir réglé la lame à l'angle correct, ajustez les indicateurs de l'échelle de biseau.

1. Desserrez la vis qui tient l'indicateur de gauche en place d'un quart de tour.
2. Alignez l'indicateur sur la ligne à 0° et serrez la vis à nouveau.
3. Recommencez les étapes 1 & 2 ci-dessus pour l'indicateur de droite.

RÉGLAGE DE LA BUTÉE DE BISEAU À 45° À DROITE ET À GAUCHE (FIG. 5, 6)

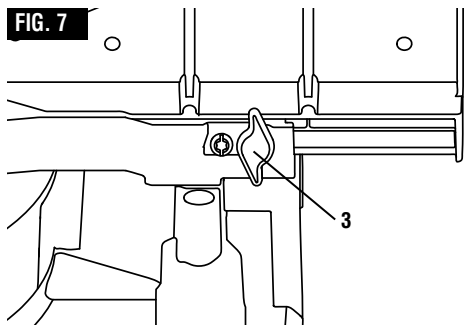
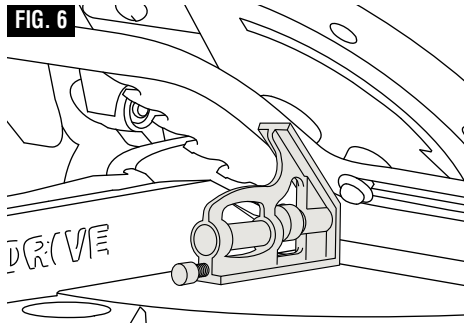
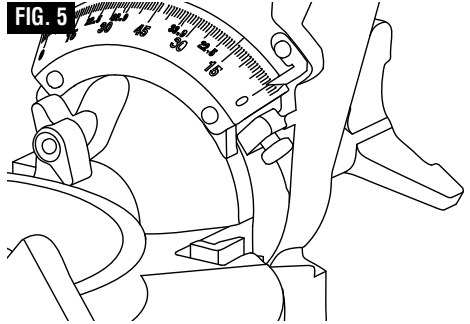
Pour régler l'angle de biseau droit à 45°, desserrez le bouton de verrouillage du biseau et tournez le bouton de relâchement du biseau droit pour neutraliser la butée de biseau à 0°. Déplacez le guide coulissant au-delà de l'ensemble de tête. Faites tourner la lame jusqu'à ce qu'elle atteigne la butée de biseau de droite à 45°. Placez une équerre à combinaison contre la lame et la table, et vérifiez si la lame est à un angle de 45° par rapport à la table. Si la lame n'est pas à 45°, faites tourner la lame vers la gauche pour accéder au boulon de butée de biseau. Utilisez la clé hexagonale fournie pour régler le boulon de butée du biseau. Vérifiez à nouveau avec l'équerre à combinaison pour vous assurer que la lame est à 45° par rapport à la table. Continuez le réglage du boulon de butée de la lame jusqu'à ce que la lame soit à un angle de 45° par rapport à la table.

Pour ajuster la butée de biseau à 45°, commencez par desserrer le bouton de verrouillage du biseau et inclinez la tête vers la gauche jusqu'à ce qu'elle atteigne la butée de biseau de 45°. Recommencez les actions indiquées plus haut pour la butée de biseau de droite.

Guide coulissant

1. Déverrouillez le bouton de verrouillage du guide 3 (Fig. 7).
2. Faites glisser le guide dans la position appropriée.
3. Verrouillez à nouveau le guide en place.
4. Déplacez l'ensemble de tête afin de vérifier le jeu par rapport au guide.

▲ MISE EN GARDE Pendant le transport, le guide coulissant doit toujours être sécurisé complètement en position.



RÉGLAGES

RÉGLAGE DU SYSTÈME D'ONGLET

FIG. 8a

⚠ AVERTISSEMENT Pour éviter tout risque de blessure, débranchez la fiche de la source d'alimentation avant de procéder à une quelconque opération de montage, de réglage ou de réparation.

Étalonnage du système de crans d'onglet

1. Engagez le cran d'onglet dans la position à 0°. Desserrez le bouton de verrouillage d'onglet d'un demi-tour.
2. Utilisez la clé hexagonale fournie pour desserrer les quatre vis sur la plaque de l'échelle d'onglet d'un tour ou deux (Fig. 8a).
3. Faites glisser la tête complètement à l'arrière, puis engagez le bouton de verrouillage du rail coulissant en serrant le bouton de verrouillage du rail coulissant vers la droite.
4. Maintenez un côté d'une équerre à combinaison à 90° contre le guide et faites pivoter la table (et la plaque de crans) jusqu'à ce que le côté de la plaque de lame de scie soit en contact total avec l'autre côté de l'équerre ; ne mettez pas les dents de la lame en contact avec l'équerre (Fig. 8b).
5. Serrez les quatre vis, desserrez l'indicateur d'échelle d'onglet et mettez-le dans la position « 0 ».

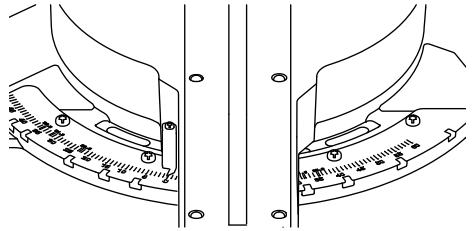


FIG. 8b

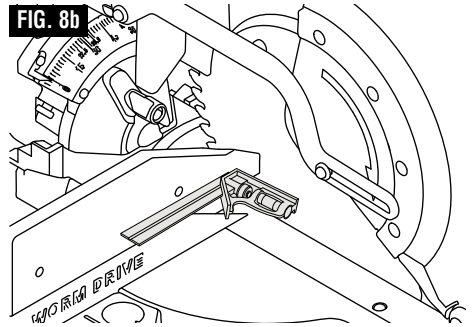
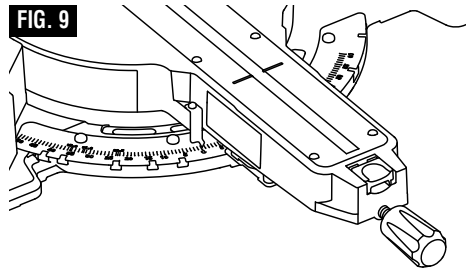


FIG. 9



Réglage de l'indicateur d'échelle d'onglet

1. Faites tourner la table jusqu'à la position de cran de 0° et verrouillez-la en place.
2. Soulevez l'ensemble de tête afin de la mettre dans la position surélevée maximum.
3. Desserrez la vis de réglage de l'indicateur qui tient l'indicateur d'échelle d'onglet en place (Fig. 8).
4. Positionnez l'indicateur d'échelle d'onglet de façon à l'aligner sur le trait à 0°. Serrez la vis.

RÉGLAGES

RÉGLAGE DE LA PROFONDEUR DE COUPE

⚠ AVERTISSEMENT Débranchez la fiche de la source d'alimentation avant de procéder à une quelconque opération de montage, de réglage ou de réparation afin d'éviter tout risque de blessure.

Lorsqu'une nouvelle lame est installée, il peut être nécessaire de vérifier le jeu entre la lame et la structure de la plaque tournante. La plaque de butée de profondeur est une caractéristique fournie pour permettre des coupes (normales) de pleine profondeur ou des coupes non traversantes utilisées pour couper des rainures.

Réglage de la profondeur de coupe pour des coupes normales de pleine profondeur

Lorsque vous effectuez des coupes normales à pleine profondeur, faites tourner la butée de profondeur de coupe et la butée pré-réglée pour le bois de construction de dimensions courantes vers l'arrière (Fig. 10).

Réglage de la profondeur de coupe de la lame pour les coupes non traversantes afin de couper des rainures

REMARQUE : Pour obtenir les meilleurs résultats possibles, SKILSAW recommande l'utilisation d'une scie à table avec un jeu de lames à rainurer en option pour la coupe de rainures et les coupes non traversantes. Au cas où une telle scie ne serait pas disponible, la fonctionnalité décrite ci-dessous serait une autre solution très pratique.

1. Ouvrez la broche de verrouillage de l'ensemble de tête (en tirant dessus) et laissez la tête de la scie monter à la hauteur maximum.
2. Faites basculer la butée de profondeur de coupe vers l'avant (Fig. 11a).
3. Saisissez la poignée principale et poussez la tête de scie vers le bas tout en regardant la vis de butée de profondeur de coupe entrer en contact avec la surface supérieure de la plaque de butée de profondeur (Fig. 10.b).
4. Desserrez l'écrou à oreilles et tournez la tête du boulon de butée de profondeur de coupe (lorsque l'extrémité fileté est en

contact avec la plaque d'arrêt), et regardez le bas de la lame de scie bouger. Ce réglage permet d'ajuster la profondeur de coupe.

5. Serrez l'écrou à oreilles pour verrouiller le boulon de profondeur de coupe en place.
6. Voir la rubrique intitulée Coupe de rainures pour plus d'instructions.

FIG. 10

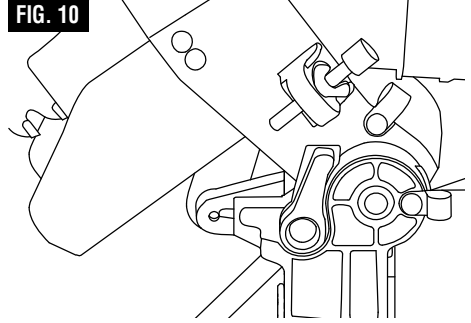


FIG. 11a

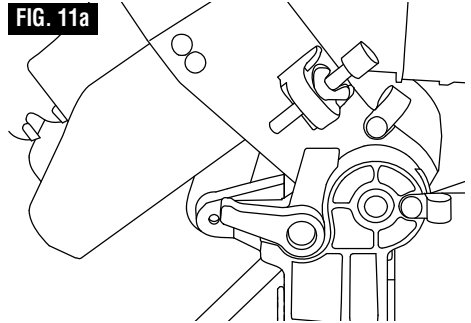
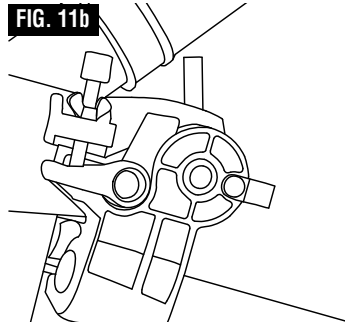


FIG. 11b



RÉGLAGES

Butée prérégulée du bois de construction de dimensions courantes

REMARQUE : Capacité maximum à 45°

La butée prérégulée du bois de construction de dimensions courantes permet de fixer la profondeur de coupe pour le bois de construction de dimensions courantes 4x avec un biseau à 0° et pour le bois de construction de dimensions courantes 2x à un biseau à droite de 45°.

Faites pivoter la languette la plus fine vers l'avant (Fig. 12). Il est plus facile de déplacer les deux butées vers l'avant puis de reculer la butée de profondeur de coupe la plus grande.

Rallonges de table

L'outil comporte des tables de rallonge intégrées de chaque côté de la base pour mieux supporter les ouvrages à usiner. Les rallonges ne peuvent se verrouiller que dans deux positions : fermée et complètement ouverte. Pour changer la position de la rallonge de la table, appuyez sur le bouton de verrouillage de la rallonge de table et tirez sur la rallonge ou poussez-la. Relâchez le bouton de verrouillage de la rallonge de la table et celle-ci se verrouillera automatiquement en position fermée ou complètement ouverte (Fig. 13a, 13b).

⚠ AVERTISSEMENT N'utilisez pas la scie avec une rallonge de table dans sa position déverrouillée. L'ouvrage risquerait de ne pas pouvoir être totalement supporté. Si la rallonge de la table ne peut pas se verrouiller, faites réparer la scie.

Support d'ouvrages longs

⚠ AVERTISSEMENT Les ouvrages longs ont tendance à basculer s'ils ne sont pas sécurisés et supportés correctement depuis le dessous.

⚠ AVERTISSEMENT N'utilisez pas une autre personne pour tenir l'ouvrage à la place d'une rallonge de table ou d'un dispositif de support additionnel. Un support instable pour l'ouvrage peut entraîner le coincement de la lame ou le déplacement de l'ouvrage à usiner pendant l'opération de coupe, ce qui vous entraînera ainsi que la personne qui vous aide vers la lame en rotation.

Les tables à rallonges fournissent un support supplémentaire pour les ouvrages à usiner, et elles sont particulièrement utiles pour couper les pièces longues.

SUPPORT ADDITIONNEL POUR L'OUVRAGE

BLOCS

Blocs – Les ouvrages longs ont besoin de plus de support. La hauteur de la base est de 9 cm / 3,5 po. Assujettissez deux morceaux de matériau de 2x4 l'un à l'autre (en utilisant le côté le plus long) ou utilisez un morceau de matériau de construction de dimensions courantes 4x. Des planches de cette épaisseur et de cette hauteur peuvent être utilisées pour créer des rallonges de support auxiliaires pour les ouvrages de grande longueur.

FIG. 12

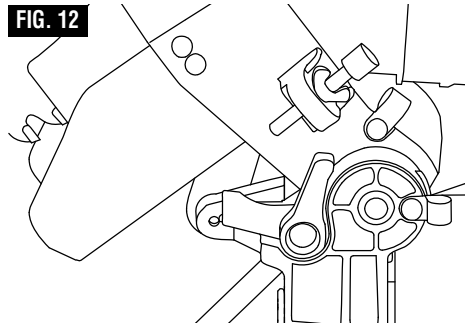


FIG. 13a

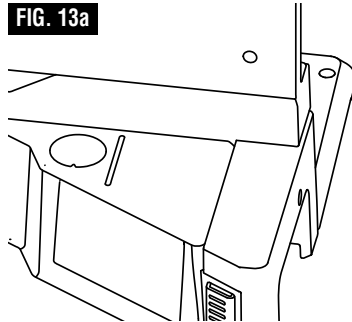
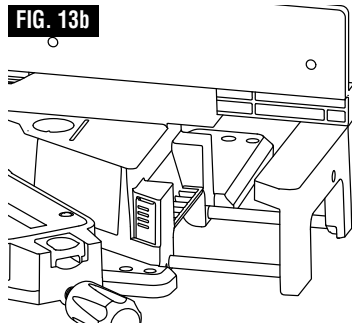


FIG. 13b



TRANSPORT ET MONTAGE

Transport

⚠ AVERTISSEMENT Pour ne pas risquer de blessure, suivez toutes les instructions identifiées par le symbole de Puce (•).

- Débranchez le cordon électrique et enrroulez-le. .
- Ne soulevez jamais la scie en saisissant une partie quelconque du mécanisme. La scie pourrait bouger et causer des blessures graves à vos doigts ou à vos mains.
- Pour ne pas risquer de vous faire mal au dos, tenez l'outil près de votre corps lorsque vous le soulevez. Pliez les genoux de façon à pouvoir soulever avec

les pieds, et non avec le dos.

- Ne soulevez jamais l'outil en le tenant par la poignée de l'interrupteur. Ceci pourrait endommager gravement l'outil.
- Ne soulevez jamais la scie à onglet par son cordon d'alimentation. Si vous tentez de soulever ou de porter l'outil par le cordon d'alimentation, vous endommagerez l'isolation et les connexions des fils, entraînant un choc électrique ou un incendie.result in electric shock or fire.
- Placez la scie sur une surface plate et ferme, où il y a beaucoup de place pour manipuler l'ouvrage et le supporter de façon appropriée.

NE soulevez cette scie QUE par les poignées de transports définies dans ce mode d'emploi.

⚠ AVERTISSEMENT Débranchez la fiche de la source d'alimentation avant de procéder à une quelconque opération de montage, de réglage ou de réparation afin d'éviter tout risque de blessure.

Broche de verrouillage de l'ensemble de tête

La broche de verrouillage de l'ensemble de tête (Fig. 14) est utilisée pour tenir l'ensemble de tête de scie dans la position du BAS. Cette position empêche la tête de monter et de descendre pendant le transport et rend la scie plus compacte pour le levage et le stockage. Cette position est également nécessaire pour certaines procédures d'étalonnage.

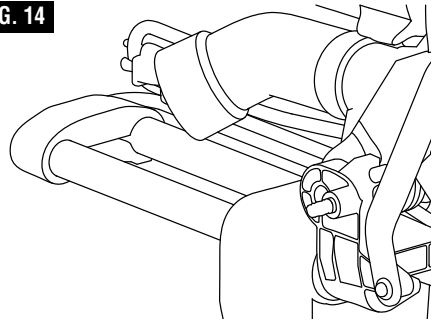
Enclenchement de la broche de verrouillage de l'ensemble de tête :

1. Assurez-vous que la butée de profondeur de coupe et la butée pré-réglée du bois de

construction de dimensions courantes sont désenclenchées.

2. Saisissez la poignée principale et appuyez sur l'ensemble de tête.

FIG. 14



3. Tout en appuyant sur la tête de la scie, enfoncez la broche de verrouillage de l'ensemble de tête. Relâchez l'ensemble de tête. La tête sera verrouillée dans la position du BAS.

Désenclenchement de la broche de verrouillage de l'ensemble de tête :

1. Saisissez la poignée principale et appuyez sur l'ensemble de tête.
2. Tout en appuyant sur la tête, tirez sur la broche de verrouillage de l'ensemble de tête. Relâchez la broche de verrouillage de l'ensemble de tête, mais continuez à tenir la poignée principale. Laissez la tête de la

scie à ressort remonter lentement jusqu'en haut de sa course et relâchez ensuite la poignée.

TRANSPORT ET MONTAGE

Préparation pour soulever la scie

1. Réglez l'angle de biseau sur 0° et verrouillez-le en place en utilisant le levier de verrouillage du biseau.
2. Verrouillez les rallonges de la table des deux côtés dans la position orientée vers l'intérieur.
3. Faites tourner la table de 60° vers la droite ou de 50° vers la gauche, puis verrouillez-la en place avec le bouton de verrouillage de l'onglet.
4. Verrouillez le système de rail coulissant.
5. Verrouillez la tête de scie dans la position du BAS avec la broche de verrouillage de l'ensemble de tête.

Ne soulevez cette scie par la poignée de transport du haut.

Saisissez la scie par le poignée de transport du haut (Fig. 15b).

Continuez à soulever et à transporter de façon confortable.

Soulevez la scie par les poignées de transport latérales.

Utilisez une bonne posture bien droite et saisissez les deux aires de la poignées en dessous des rallonges de la table (Fig. 15c).

FIG. 15a

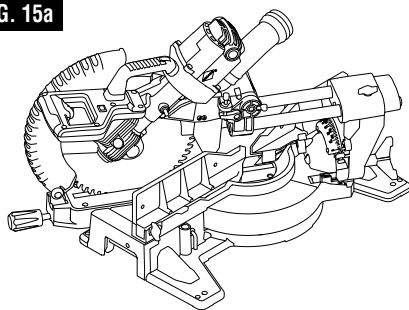


FIG. 15b

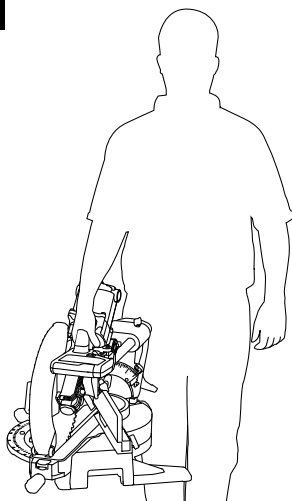
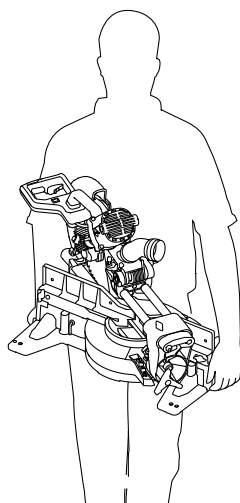


FIG. 15c



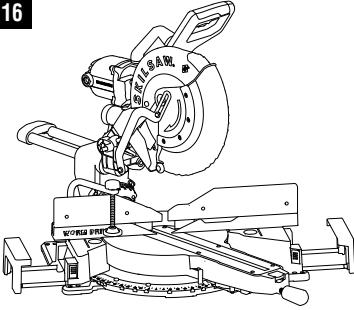
TRANSPORT ET MONTAGE

Montage de la scie

Montage sur une table de travail

Utilisez les quatre (4) trous de boulons (5/16 po) pour monter la scie avec les boulons sur la table de travail. Vérifiez le jeu du côté gauche et du côté droit de la scie (Fig. 16).

FIG. 16



1. Les quatre (4) trous de montage doivent être fixés de façon sécurisée en utilisant des boulons de 5/16 po, des rondelles de blocage, des rondelles plates et des écrous six-pans (non fournis).
2. Localisez et marquez les trous pour boulons où la scie doit être montée.
3. Percez quatre (4) orifices de 7/16 po de diamètre à travers l'établi.
4. Placez la scie à onglet sur l'établi en alignant les trous de la base sur les trous percés dans l'établi. Installez quatre : vis, rondelles de blocage, rondelles plates et écrous six pans.

Montage sur une surface en bois

Utilisez les quatre petits trous pour monter la scie sur n'importe quelle surface en bois (Fig. 17). Utilisez des vis à bois à tête plate N° 8 d'au moins 1 1/2" de long. Enfoncez les vis dans les quatre trous existants dans la surface en bois jusqu'à ce que les têtes des vis soient totalement engagées dans les orifices de montage et que la scie soit ainsi totalement sécurisée.

La surface de support sur laquelle la scie est montée doit être examinée avec soin après le montage pour s'assurer qu'aucun mouvement de la scie ne peut se produire pendant l'utilisation. Si vous constatez que la scie a tendance à s'incliner ou à « marcher », sécurisez l'établi ou le support avant de mettre en marche la scie à onglets composés.

Montage temporaire au moyen de brides de fixation

- Si nécessaire, sécurisez la scie à onglet sur un banc de travail ou un dessus de table.
- Placez au moins deux (2) brides de fixation 2 sur les zones de fixation et sécurisez (Fig. 18).

REMARQUE : Assurez-vous toujours que vous laissez suffisamment de place pour les ouvrages à usiner très longs.

FIG. 17

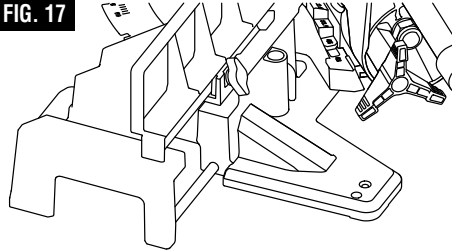
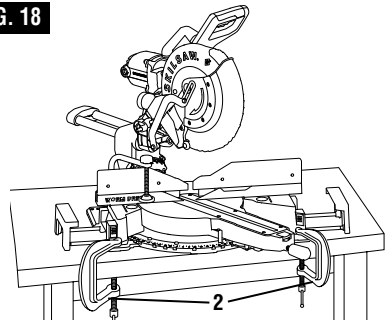


FIG. 18

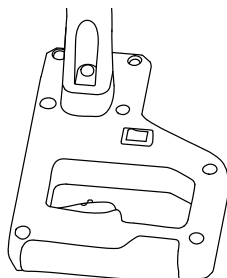


OPÉRATIONS DE LA SCIE

Interrupteur

L'interrupteur comporte une languette de verrouillage secondaire LOCK-OFF qu'il faut tourner vers la gauche pour pouvoir enfoncer l'interrupteur principal. Saisissez l'interrupteur principal avec les doigts et faites glisser la languette vers la gauche. Puis tirez sur l'interrupteur principal pour activer la scie. Relâchez l'interrupteur pour arrêter la scie (Fig. 19).

FIG. 19



Positions du corps et des mains

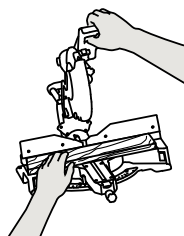
⚠ AVERTISSEMENT Positionnez votre corps et vos mains de façon appropriée pour pouvoir couper facilement et en toute sécurité. Observez les instructions suivantes :

⚠ AVERTISSEMENT Ne mettez jamais les mains près de la zone à découper. Gardez les mains en dehors de la zone où il ne faut pas mettre les mains marquée « No Hands Zone ». La zone où il ne faut pas mettre les mains est définie comme la zone située entre les lignes marquées des côtés gauche et droit de la base, y compris la table entière et une partie du guide à l'intérieur de ces lignes marquées. Cette zone est identifiée par des symboles « No Hands » (pas de mains) placés juste à l'intérieur des lignes marquées sur la base.

• Avant de réaliser une coupe quelconque, l'outil étant alors toujours hors tension, abaissez la lame pour visualiser la trajectoire de la lame.

FIG. 20a

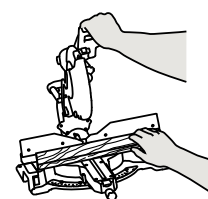
Utilisation Correcte



Utilisation Incorrecte



Utilisation Correcte



Utilisation Incorrecte



- Tenez fermement l'ouvrage contre le guide pour empêcher tout mouvement.
- Maintenez les mains en position jusqu'à ce que la gâchette de déclenchement ait été relâchée et que la lame ait cessé complètement de tourner.
- Maintenez les pieds fermement sur le sol et veillez à garder solidement votre équilibre.
- Suivez le bras de l'onglet lorsque vous allez vers la gauche ou vers la droite. Tenez-vous légèrement sur le côté de la lame de scie.
- Regardez à travers le dispositif de protection inférieur si vous suivez une ligne de crayon.

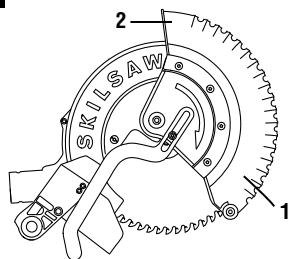
OPÉRATIONS DE LA SCIE

⚠ AVERTISSEMENT Le dispositif de protection inférieur peut ne pas s'ouvrir automatiquement dans certaines **conditions de coupe**. Si cela se produit :

Cela peut généralement se produire lorsque vous essayez de couper des pièces se trouvant à proximité de la capacité maximale de hauteur de coupe. Dans ces conditions, la pièce à usiner peut arrêter le mouvement du dispositif de protection inférieur avant que le mouvement descendant du bras ne puisse ouvrir le dispositif de protection inférieur. Si cela se produit :

- L'ouvrage doit être sécurisé en place. Ceci libère votre main gauche pour lui permettre de soulever le dispositif de protection **1** par la lèvre **2**, juste assez lui permettre de dépasser l'ouvrage (Fig. 20b).

FIG. 20b



- Mettez la scie en marche et commencez votre coupe.
- Une fois que vous avez dépassé la position où le dispositif de protection inférieur pourrait se coincer, relâchez le dispositif de protection et celui-ci continuera à monter automatiquement à mesure que vous coupez.

ESSAI À BLANC—Il est important de savoir où la lame et l'ouvrage feront leur intersection pendant les opérations de coupe. Exécutez toujours la séquence de coupe simulée pendant que l'outil est hors tension pour pouvoir comprendre quelle sera la trajectoire prévue de la lame de scie. Notez mentalement où la trajectoire de la lame de scie tombera et placez votre ouvrage de façon à ce que vos mains et vos bras ne soient pas sur la trajectoire de la lame en train de tourner. Ajustez les brides de fixation et les guides de manière que le mouvement du dispositif de protection inférieur et l'action de coupe ne soient pas perturbés pendant l'opération de coupe.

Vérifiez toujours que le dispositif de protection inférieur est complètement fonctionnel. Après avoir débranché l'outil de la source d'alimentation, soulevez le dispositif de protection inférieur complètement vers le haut et relâchez-le. Le dispositif de protection inférieur devrait alors se fermer complètement. Si le dispositif de protection ne se ferme pas complètement ou hésite, cessez d'utiliser l'outil et faites-le réparer.

Éclairage à DEL avec ombre

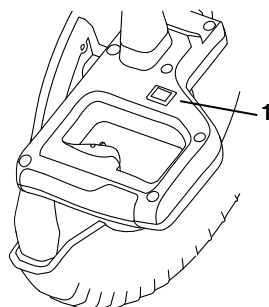
REMARQUE: La scie à onglet doit être connectée à une source d'alimentation pour que le système d'éclairage avec ombre puisse fonctionner.

Le système d'éclairage à DEL avec ombre est pourvu d'un interrupteur de marche/arrêt (Fig. 21). Le système d'éclairage à DEL avec ombre est indépendant de l'interrupteur à gâchette de la scie à onglet. Il n'est pas indispensable que l'éclairage avec ombre soit allumé pour pouvoir utiliser la scie.

Pour couper une ligne tracée existante sur un morceau de bois, allumez le système d'éclairage avec ombre, puis abaissez la lame de la scie du bois. L'ombre de la lame sera visible sur le bois. Cette ligne d'ombre

représente le matériau que la lame retirera lors d'une coupe. Pour positionner correctement votre coupe sur la ligne tracée, alignez la ligne tracée sur le bord de l'ombre de la lame. N'oubliez pas que vous devrez peut-être ajuster les angles d'onglet ou de biseau pour qu'ils correspondent exactement à la ligne tracée au crayon.

FIG. 21



OPÉRATIONS DE LA SCIE

Installation de la pince de fixation de l'ouvrage

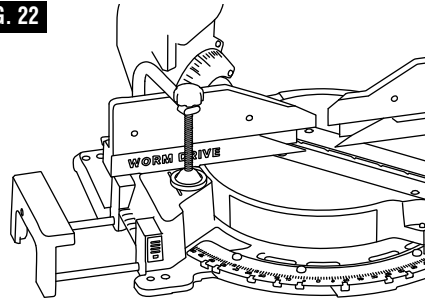
⚠ AVERTISSEMENT Dans certaines opérations, la bride de fixation de l'ouvrage peut interférer avec le fonctionnement du dispositif de protection de la lame. Assurez-vous toujours qu'il n'y a pas d'interférence avec le dispositif de protection de la lame avant de commencer toute opération de coupe afin de réduire les risques de blessures graves.

La bride de fixation de l'ouvrage permet plus de contrôle en assujettissant l'ouvrage à la table d'onglet.

Elle est également utile pour empêcher l'ouvrage de se déplacer vers la lame de la scie. Ceci est particulièrement important lors de la coupe d'onglets composés. En fonction

de l'opération de coupe et de la taille de l'ouvrage, il peut être nécessaire d'utiliser une pince en C au lieu de la bride de fixation de l'ouvrage pour fixer celui-ci avant d'effectuer la coupe. La bride de fixation de l'ouvrage peut être installée et utilisée d'un côté ou de l'autre de la lame.

FIG. 22



Installation de la bride de fixation de l'ouvrage :

1. Insérez l'arbre de la bride de fixation de l'ouvrage dans l'un des trous situés

derrière le guide d'onglet coulissant.

2. Faites tourner le bouton sur la bride de fixation de l'ouvrage pour la déplacer vers le haut ou vers le bas suivant les besoins.

Coupe coulissante

⚠ AVERTISSEMENT Ne tirez JAMAIS la scie vers vous pendant une coupe. La lame risquerait de grimper soudainement sur l'ouvrage et causer un EFFET DE REBOND.

1. Positionnez l'ouvrage de façon appropriée. Assurez-vous que l'ouvrage est fermement sécurisé contre la table et le guide. Utilisez une position de fixation qui ne fait pas interférence avec l'opération. Avant de mettre l'outil en marche, abaissez la tête pour vous assurer que la bride de fixation dépasse le dispositif de protection et l'ensemble de tête.

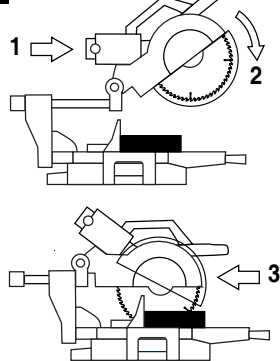
2. Desserrez le bouton de verrouillage du rail coulissant.

⚠ AVERTISSEMENT Tenez toujours compte de la trajectoire de la lame de scie. Effectuez un essai à blanc avec la scie toujours hors tension en réalisant une simulation de cycle de coupe, et observez la trajectoire prévue de la lame de scie. Gardez les mains à au moins 15 cm / 6 po de la trajectoire prévue de la lame de scie.

3. Saisissez la poignée de l'interrupteur et tirez sur l'ensemble de tête pour l'éloigner du guide jusqu'à ce que la lame dépasse

l'ouvrage ou jusqu'à son extension maximale si la lame ne parvient pas à dépasser l'ouvrage (Fig. 23).

FIG. 23



4. Activez l'interrupteur. Abaissez l'ensemble de tête aussi loin qu'il peut descendre et coupez à travers le bord de l'ouvrage.
5. Poussez (mais ne forcez pas) la tête vers le guide en position arrière complète pour terminer la coupe.
6. Attendez que la lame arrête complètement de tourner avant de remettre l'ensemble de tête dans la position surélevée et/ou de retirer l'ouvrage.

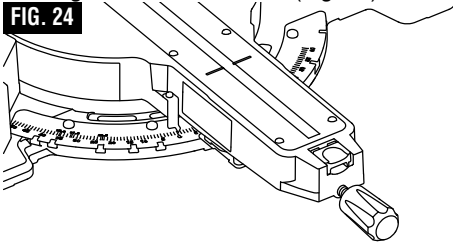
OPÉRATIONS DE LA SCIE

SYSTÈME D'ONGLET

Utilisation des crans d'onglet

1. Desserrez le bouton de verrouillage d'onglet d'environ 1/2 tour (Fig. 24).

FIG. 24



2. Saisissez le bouton de verrouillage d'onglet, puis utilisez votre pouce pour appuyer sur le bouton de cran d'onglet : enfoncez le bouton de cran d'onglet jusqu'à ce que la table soit libérée de la plaque

d'échelle d'onglet.

3. Tout en saisissant le bouton de verrouillage d'onglet et le bouton de cran d'onglet, faites tourner la table de sciage. Arrêtez la rotation de la table à l'angle souhaité, comme indiqué par le pointeur de l'échelle d'onglet.

4. Relâchez le bouton de cran d'onglet à un cran dans l'échelle d'onglet ou à un angle entre deux crans. Si c'est près d'un cran d'onglet, utilisez la fonction de neutralisation du cran d'onglet.

5. Serrez le bouton de verrouillage d'onglet avant de commencer à couper.

REMARQUE: Il est recommandé de serrer le bouton de verrouillage d'onglet avant toutes les coupes. Serrez toujours le bouton de verrouillage d'onglet avant de couper à un angle quelconque entre les crans ou lorsque le système de neutralisation de cran d'onglet est utilisé.

Neutralisation de cran d'onglet

La fonctionnalité de neutralisation de cran d'onglet permet de déverrouiller l'action d'arrête fixation du cran d'onglet pour permettre des micro-ajustements à n'importe quel angle d'onglet. Lorsque l'angle d'onglet souhaité est trop proche d'un angle d'onglet standard comportant une fente pour un cran, cette fonctionnalité empêche le coin sur le levier de cran d'onglet de glisser dans la fente du cran de la plaque de cran d'onglet.

1. Enfoncez le bouton de cran d'onglet puis poussez-le vers l'avant.

2. Sans laisser le bouton de cran d'onglet revenir en arrière, laissez-le se relever jusqu'à ce qu'il soit capturé par la table.

3. Faites tourner la table dans n'importe quelle position sur l'échelle d'onglet.

4. Verrouillez le bouton de verrouillage d'onglet de façon à maintenir la position d'onglet choisie.

Coupe d'onglet

• Une coupe d'onglet est réalisée avec un biseau de 0° et un angle d'onglet compris entre 50° à gauche et 60° à droite.

• Des crans positifs ont été fournis pour permettre une coupe d'onglet rapide et précise à 0°, 15°, 22,5° et 45° à gauche et à droite, ou à 50° à gauche et 60° à droite.

• Il existe également un cran pour moulure couronnée à 31,6° (pour plus d'informations, reportez-vous à la section intitulée Coupe de moulures couronnées).

• Pour assurer un soutien maximal, le guide coulissant doit toujours être aussi proche que possible de la lame sans gêner le mouvement de l'ensemble de tête (voir AJUSTEMENT, Guide coulissant, si

nécessaire).

1. Desserrez le bouton de verrouillage d'onglet 1. Appuyez sur le levier de cran de verrouillage d'onglet et déplacez la scie à l'angle souhaité, à l'aide des crans ou de l'échelle à onglet 2. Serrez le bouton de verrouillage d'onglet.

2. Étendez la rallonge de la table sur le côté de la table où un appui manuel est nécessaire pour soutenir correctement l'ouvrage. (Voir Rallonge de table.)

3. Positionnez l'ouvrage de façon appropriée. 3. Assurez-vous que l'ouvrage est fermement sécurisé contre la table et le guide.

OPÉRATIONS DE LA SCIE

⚠ AVERTISSEMENT Utilisez une position de fixation qui ne fait pas interférence avec l'opération. Avant de mettre la scie en marche, abaissez la tête pour vous assurer que la bride de fixation dépasse le dispositif de protection et l'ensemble de tête.

4. Activez l'interrupteur. Abaissez l'ensemble de tête et effectuez votre coupe.

5. Attendez que la lame arrête complètement de tourner avant de remettre l'ensemble de tête dans la position surélevée et/ou de retirer l'ouvrage.

Coupe en biseau

• Une coupe en biseau est réalisée à un onglet de 0° et tout angle de biseau compris entre 0° et 48°.

• Il existe des butées de biseau fixées à l'usine à 0°, 22,5°, 45° et 48°. (Voir la section Ajustement si des ajustements sont nécessaires.)

• Pour assurer un soutien maximal, le guide coulissant doit toujours être aussi proche que possible de la lame sans gêner le mouvement de l'ensemble de tête. (voir AJUSTEMENT, Guide coulissant, si nécessaire.)

• L'échelle de biseau est face à l'opérateur pour faciliter la lecture

• Utilisez la rallonge de la table si nécessaire. (Voir Rallonge de table.)

⚠ AVERTISSEMENT Lors d'une coupe en biseau, n'oubliez pas de « verrouiller » la tête de coupe dans toutes les positions avant de continuer, afin que la tête ne se déplace pas de manière inattendue pendant la coupe.

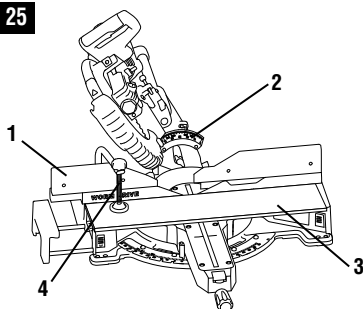
1. Déplacez le guide coulissant **1** dans la position appropriée (voir RÉGLAGE, Guide coulissant).

2. Étendez la rallonge de la table sur le côté de la table où un appui manuel est nécessaire pour soutenir correctement l'ouvrage. (Voir Rallonge de table)

3. Desserrez la poignée de verrouillage du biseau. Lors d'une coupe en biseau du côté droit, le bouton de relâchement du biseau droit doit être tourné pour relâcher la butée à 0°. Inclinez l'ensemble de tête à l'angle de biseau désiré **2**. Serrez la poignée de verrouillage du biseau (Fig.

25).

FIG. 25



4. Positionnez correctement l'ouvrage **3**. Assurez-vous que l'ouvrage **4** est fermement sécurisé contre la table et le guide .

⚠ AVERTISSEMENT Utilisez une position de fixation qui ne fait pas interférence avec l'opération. Avant d'actionner l'interrupteur :

1. Avant de mettre l'outil en marche, abaissez l'ensemble de tête sur la scie pour vous assurer que la bride de fixation dépasse le dispositif de protection et l'ensemble de tête.

2. Activez l'interrupteur. Abaissez l'ensemble de tête et effectuez votre coupe.

3. Attendez que la lame arrête complètement de tourner avant de remettre l'ensemble de tête dans la position surélevée et/ou de retirer l'ouvrage.

OPÉRATIONS DE LA SCIE

Coupes composées

- Une coupe composée est une coupe qui nécessite à la fois un réglage de l'onglet et un réglage du biseau.

- Comme plusieurs tentatives peuvent être nécessaires pour obtenir l'angle composé souhaité, effectuez des tests de coupe sur du matériel mis au rebut avant de procéder à votre coupe.

1. Déplacez le guide coulissant dans la position appropriée (voir AJUSTEMENT, Guide coulissant). Il peut être nécessaire d'enlever complètement 1'un des guides coulissants pour effectuer une coupe avec des angles extrêmes.
2. Étendez la rallonge de la table 2 sur le côté de la table où un appui manuel est nécessaire pour soutenir correctement l'ouvrage (voir Rallonge de la table).
3. Sélectionnez les angles d'onglet 3 et de biseau 4 désirés (Fig. 26). (Voir Coupe d'onglet et Coupe en biseau)

4. Positionnez correctement l'ouvrage
5. Assurez-vous que l'ouvrage 6 est fermement sécurisé contre la table et le guide.

5. Assurez-vous que toutes les commandes sont verrouillées avant de commencer la coupe.

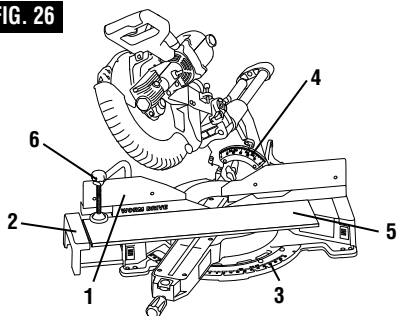
⚠ AVERTISSEMENT Utilisez une position de

fixation qui ne fait pas interférence avec l'opération. Avant de mettre l'outil en marche, abaissez l'ensemble de tête pour vous assurer que la bride de fixation dépasse le dispositif de protection et l'ensemble de tête.

6. Activez l'interrupteur. Abaissez l'ensemble de tête et effectuez votre coupe.

7. Attendez que la lame arrête complètement de tourner avant de remettre l'ensemble de tête dans la position surélevée et/ou de retirer l'ouvrage.

FIG. 26



OPÉRATIONS DE LA SCIE

Coupe de plinthes

- Une plinthe peut être coupée verticalement contre le guide ou à plat sur la table.
- Suivez les instructions du tableau pour des conseils utiles pour couper des plinthes.

INSTRUCTIONS DE COUPE DE MOULURES DE BASE					
RÉGLAGES / INSTRUCTIONS		Position vertical L'arrière de la moulure repose contre le guide		Position horizontale L'arrière de la moulure repose à plat sur la table	
Fixation du guide d'onglet		Position extrême droite		Déplacez à la position appropriée.	
Angle de biseau		0°		45°	
Position de moulure		Côté gauche	Côté droit*	Côté gauche	Côté droit*
Coin intérieur du mur 	Angle d'onglet	Gauche à 45°	Droit à 45°	0°	0°
	Position de moulure	Fond contre la table	Fond contre la table	Dessus contre le guide	Fond contre le guide
	Côté fini	Gardez le côté gauche de la coupe	Gardez le côté droit de la coupe	Gardez le côté gauche de la coupe	Gardez le côté gauche de la coupe
Coin extérieur du mur 	Angle d'onglet	Droit à 45°	Gauche à 45°	0°	0°
	Position de moulure	Fond contre la table	Fond contre la table	Fond contre le guide	Dessus contre le guide
	Côté fini	Gardez le côté gauche de la coupe	Gardez le côté droit de la coupe	Gardez le côté droit de la coupe	Gardez le côté droit de la coupe

⚠ AVERTISSEMENT Vérifiez les interférences entre l'ouvrage et les composants de la tête de scie en effectuant une coupe d'essai. Des interférences peuvent empêcher le bon fonctionnement de la scie et causer des blessures et/ou endommager l'outil.

- Si la tête de scie interfère avec l'ouvrage lors de la découpe du côté droit, il est recommandé de retourner l'ouvrage et de le couper vers la gauche.

OPÉRATIONS DE LA SCIE

Coupe de moulure couronnée

- Une moulure couronnée doit être coupée de façon exactement conforme aux spécifications pour assurer un placement correct
- Votre scie à onglet a des crans d'onglet spéciaux à 31,6° à gauche et à droite, et un indicateur de biseau à 33,9° pour couper une moulure couronnée à plat sur la table.
- Ces angles de crans spéciaux ont été conçus dans votre scie à onglets composés pour la moulure couronnée standard utilisée aux États-Unis avec les angles suivants :

- 52° entre l'arrière de la moulure et la surface plate du haut qui se place contre le plafond.
- 38° entre l'arrière de la moulure et la surface plate du bas qui se place contre le mur.

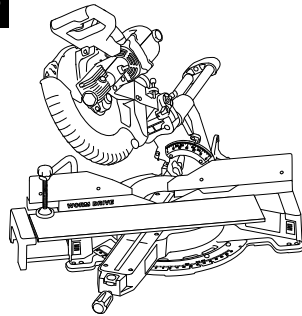
REMARQUE : Ces crans ne peuvent pas être utilisés avec une moulure couronnée de 45°.

- Même si ces angles sont standard, la plupart des pièces n'ont pas des angles d'exactly 90° ; vous devrez donc affiner vos réglages à l'aide des échelles à onglet et à biseau.

Follow these instructions for cutting crown molding laying flat on the table:

1. Déplacez le guide coulissant dans la position appropriée (voir AJUSTEMENT, Guide coulissant).
2. Réglez les angles de biseau et d'onglet en utilisant le tableau 1 ci-dessous. Serrez le bouton de verrouillage d'onglet et la poignée de verrouillage de biseau (Fig. 27).
3. Positionnez la moulure sur la table de sciage. Utilisez le tableau ci-dessous pour déterminer la position correcte. Sécurisez l'ouvrage en place au moyen de la bride de fixation verticale.

FIG. 27



MITER		BEVEL		MITER		BEVEL	
INSIDE LEFT CORNER A	31.6° RIGHT	33.9° LEFT	31.6° LEFT	33.9° LEFT	INSIDE RIGHT CORNER B	31.6° LEFT	33.9° RIGHT
SAVE LEFT	TOP EDGE AGAINST FENCE		BOTTOM EDGE AGAINST FENCE		SAVE RIGHT	OUTSIDE RIGHT CORNER D	
MITER		BEVEL		MITER		BEVEL	
INSIDE LEFT CORNER A	31.6° RIGHT	33.9° LEFT	31.6° LEFT	33.9° LEFT	INSIDE RIGHT CORNER B	31.6° LEFT	33.9° RIGHT
SAVE LEFT	TOP EDGE AGAINST FENCE		BOTTOM EDGE AGAINST FENCE		SAVE RIGHT	OUTSIDE RIGHT CORNER D	

AVERTISSEMENT Utilisez une position de fixation qui ne fait pas interférence avec l'opération. Avant de mettre la scie en marche, abaissez l'ensemble de tête pour vous assurer que la bride de fixation dépasse le dispositif de protection et l'ensemble de tête.

4. Activez l'interrupteur. Abaissez l'ensemble de tête et effectuez votre coupe.
5. Attendez que la lame arrête complètement de tourner avant de remettre l'ensemble de tête dans la position surélevée et/ou de retirer l'ouvrage.

REMARQUE : Effectuez toujours une coupe de test en utilisant des matériaux mis au rebut pour confirmer que l'angle est correct.

OPÉRATIONS DE LA SCIE

Moulure couronnée inclinée contre la table et le guide (emboîtée)

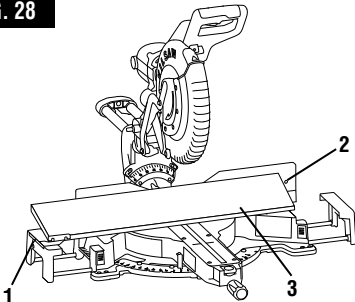
L'avantage de couper les moulures inclinées par rapport au guide est qu'aucun réglage de biseau n'est requis ; seul l'angle de l'onglet est ajusté

La largeur maximale de la moulure couronnée de 38°/52° pouvant être coupée et inclinée par rapport à la table et au guide est de 5-1/2" po (16 cm).

Pour couper les moulures couronnées de cette manière, il est recommandé d'utiliser les butées de couronnes de droite et de gauche.

1. Attachez les butées des couronnes aux côtés de la base en utilisant les boutons des butées de couronnes **1**.
2. Positionnez la moulure de telle sorte que le bas (la partie décorative, qui est installée contre le mur) soit contre le guide **2** (Fig. 28).

FIG. 28



3. Ajustez la position des butées des couronnes pour qu'elles soutiennent le côté de la moulure couronnée touchant la table et sécurisent complètement la couronne **3**.
4. Pour un coin à 90°, utilisez le tableau ci-dessous pour choisir l'angle d'onglet. Serrez le bouton de verrouillage de l'onglet.
5. Soutenez la moulure couronnée contre le guide (voir Position du corps et des mains).

⚠ AVERTISSEMENT Tenez toujours compte de la trajectoire de la lame de scie. Effectuez un essai à blanc avec la scie toujours hors tension en réalisant une simulation de cycle de coupe, et observez la trajectoire prévue de la lame de scie. Gardez les mains à au moins 15 cm / 6 po de la trajectoire prévue de la lame de scie.

6. Suivez les procédures pour les coupes de déchetage ou coulissantes.

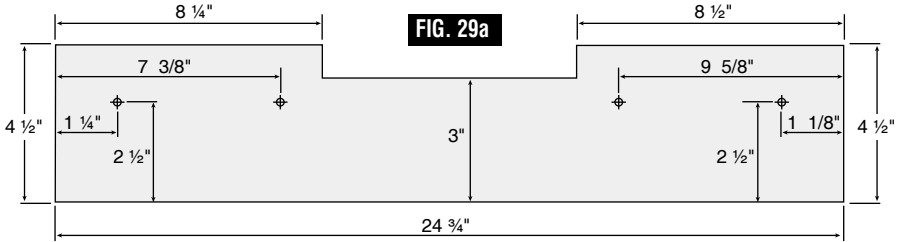
7. Attendez que la lame arrête complètement de tourner avant de remettre l'ensemble de tête dans la position surélevée et/ou de retirer l'ouvrage.

REMARQUE : Effectuez toujours une coupe d'essai en utilisant des morceaux de bois mis au rebut pour confirmer les angles corrects.

OPÉRATIONS DE LA SCIE

Guide de coupe auxiliaire

Fabrication d'un guide auxiliaire



Certains types de moulures nécessitent une extension face au guide en raison de la taille et de la position de l'ouvrage.

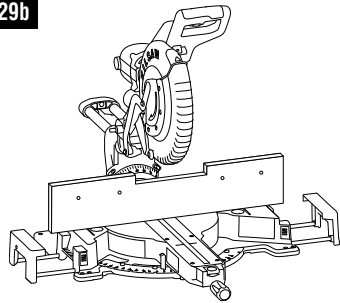
Des trous ont été faits dans le guide pour permettre d'attacher un guide auxiliaire. Le guide auxiliaire est utilisé avec la scie exclusivement dans la position avec un biseau de 0°.

1. Utilisez un morceau de bois de 3/4 po d'épaisseur (le contreplaqué est préférable) pour couper un guide auxiliaire selon les dimensions indiquées à la Fig. 29a.
2. Placez le guide auxiliaire contre le guide de la scie à onglet (Fig. 29b). Assurez-vous que le guide auxiliaire n'interfère pas avec le mouvement de l'ensemble de tête. Assurez-vous qu'il n'y a pas d'interférence entre le guide auxiliaire et le dispositif de protection inférieur de la lame. Effectuez un ajustement si nécessaire.

⚠ AVERTISSEMENT Vérifiez qu'il n'y a pas d'interférences entre le guide auxiliaire et les composants de la tête de scie en effectuant une coupe d'essai. Des interférences affectant le guide peuvent empêcher le bon fonctionnement de la scie et causer des blessures et/ou endommager l'outil.

3. Marquez les emplacements des trous de support sur le bois depuis le côté arrière du guide (Fig. 29a).

FIG. 29b



4. Percez et fraisez les trous à l'avant du guide auxiliaire.

OPÉRATIONS DE LA SCIE

Fixation depuis le devant du guide :

1. Attachez le guide auxiliaire en utilisant quatre (4) boulons mécaniques longs à tête plate de 3/16 po x 1-1/2 po. Sécurisez-le derrière le guide en métal avec des rondelles et des écrous mécaniques N° 5.

⚠ AVERTISSEMENT Tenez toujours compte de la trajectoire de la lame de scie. Effectuez un essai à blanc avec la scie toujours hors tension en réalisant une simulation de cycle de coupe, et observez la trajectoire prévue de la lame de scie. Gardez les mains à au moins 15 cm / 6 po de la trajectoire prévue de la lame de scie.

2. Effectuez une coupe à pleine profondeur pour créer la fente produite par la lame.

Fixation depuis l'arrière du guide :

Utilisez un guide auxiliaire de 3/4 po au minimum et des vis à bois à tête ronde de 1/4 po (de 1/2 po de long).

1. Percez quatre trous pilotes dans le guide auxiliaire et vissez les vis depuis l'arrière du guide en métal.

⚠ AVERTISSEMENT Tenez toujours compte de la trajectoire de la lame de scie. Effectuez un essai à blanc avec la scie toujours hors tension en réalisant une simulation de cycle de coupe, et observez la trajectoire prévue de la lame de scie. Gardez les mains à au moins 15 cm / 6 po de la trajectoire prévue de la lame de scie.

2. Effectuez une coupe à pleine profondeur pour créer la fente produite par la lame.

Coupe de rainures

COUPE GROSSIÈRE D'UNE RAINURE

En utilisant un ciseau à bois et le guide de profondeur, il est possible de faire une coupe grossière d'une rainure. Les marques sur le guide de profondeur ne doivent être utilisées que dans un but de référence. Effectuez toujours une coupe d'essai dans un morceau de bois mis au rebut.

Utilisation du guide de profondeur :

1. Débranchez la scie.
2. Faites tourner la butée de profondeur de coupe vers l'extérieur.

Lorsque le boulon de profondeur de coupe entre en contact avec la butée de profondeur, tournez le boulon de profondeur de coupe jusqu'à la profondeur de coupe souhaitée. Serrez l'écrou à oreilles de profondeur de coupe pour sécuriser le boulon de profondeur de coupe. Voir Réglage de la profondeur de coupe de la lame pour les coupes non traversantes afin de couper des rainures

3. Une entretoise en bois doit être placée entre l'ouvrage et le guide pour obtenir une longueur de coupe constante dans l'ouvrage. Utilisez la bride de fixation de l'ouvrage pour sécuriser l'entretoise et une autre bride de fixation appropriée pour sécuriser l'ouvrage. Effectuez la coupe coulissante à la profondeur désirée.

4. Faites tourner la butée de profondeur de coupe vers l'intérieur pour les coupes traversantes normales.

REMARQUE : La butée de profondeur de coupe doit être tournée avant de verrouiller ou déverrouiller le bras de la scie.

Réalisation de la coupe :

1. Déverrouillez le bouton de verrouillage du mécanisme coulissant.
2. Levez le bras de la scie à sa hauteur maximum.
3. Après avoir mis la scie hors tension, tirez le bras de la scie vers l'avant. Mettez la scie en marche, laissez la lame atteindre sa vitesse maximale, poussez la lame au-dessus de l'ouvrage puis à nouveau vers l'arrière de la scie pour effectuer une coupe.
4. Coupez deux rainures extérieures dans l'ouvrage.
5. Utilisez un ciseau à bois pour enlever le matériau se trouvant entre les deux rainures extérieures.

OPÉRATIONS DE LA SCIE

Coupes spéciales

Les coupes de matériaux courbés et de matériaux ronds ne sont que deux exemples de coupes spéciales.

OPÉRATIONS DE LA SCIE

⚠ AVERTISSEMENT Si l'ouvrage 1 est courbé ou déformé, fixez-le 2 avec la face courbée extérieure orientées vers le guide 3. Assurez-vous toujours qu'il n'y a aucun espace entre l'ouvrage, le guide et la table le long de la ligne de coupe 4. Les ouvrages courbés ou déformés peuvent subir une torsion supplémentaire ou bouger, ce qui risquerait d'avoir pour effet que la lame de la scie en train de tourner se coince pendant la coupe (Fig. 30).

Coupe de matériau rond ou de forme irrégulière

⚠ AVERTISSEMENT Pour les matériaux ronds 5, tels que les goujons ou les tubes, utilisez toujours une bride de fixation 6 ou un accessoire conçu pour serrer l'ouvrage fermement contre le guide 7 et la table. Les tiges ont tendance à rouler pendant la coupe, ce qui fait que la lame « mord » l'ouvrage et l'attire ainsi que votre main dans la lame (Fig. 31).

Collecteur de poussière

Le déversoir de poussière fixe est compatible avec le coude à poussière inclus et des extrémités de tuyau flexible standard de 35 mm de diamètre. Le coude à poussière tient directement autour du déversoir de poussière fixe et il est compatible avec des tuyaux flexibles standard de 2,5 mm de diamètre. Pour les aspirateurs ayant un diamètre différent, un adaptateur (non inclus) doit être utilisé.

Pour collecter la poussière lors d'une coupe sans aspirateur connecté, vous pouvez faire pivoter le coude à poussière pour diriger la poussière dans la direction souhaitée ou attacher le sac à poussière au déversoir de poussière fixe. Le sac à poussière doit être inspecté fréquemment et vidé suivant les besoins.

FIG. 30

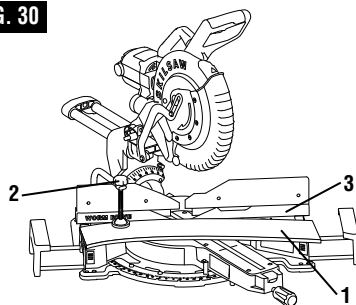
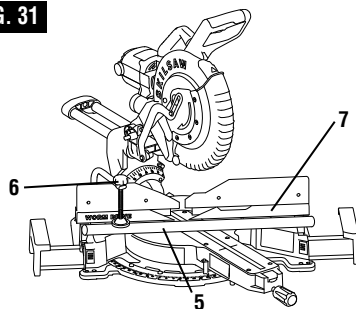


FIG. 31



MAINTENANCE ET LUBRIFICATION

LUBRIFICATION DES ENGRENAGES

Votre outil SKILSAW a été lubrifié correctement et est prêt à l'emploi. Cependant, il est recommandé que les engrenages ne soient lubrifiés à nouveau quand cela sera nécessaire qu'avec des lubrifiants SKILSAW : N° 80111 (tube de 8 oz). Vérifiez toujours le niveau d'huile avant de commencer à vous servir de la scie. Avec une nouvelle scie, changez l'huile après les dix premières heures d'utilisation. Au minimum, l'huile devrait être changée une fois par an en cas d'utilisation intensive, ou au bout d'environ 60 heures d'utilisation.

Pour vérifier le niveau et ajouter de l'huile : Débranchez la fiche de la prise de courant. Placez la scie sur une surface plate et stable. Verrouillez le mécanisme coulissant et laissez la tête de la scie dans la position élevée. Retirez le bouchon du réservoir d'huile en utilisant une clé de 1/2 po. Vérifiez pour vous assurer que le niveau d'huile n'est pas au-dessous du niveau des filets. Si nécessaire, ajoutez un lubrifiant SKILSAW neuf (N° 80111).

REMARQUE : Remplacez l'huile si elle est sale ou épaisse.

Pour remplacer l'huile : Laissez tourner l'outil pendant une minute pour chauffer l'huile. Débranchez la fiche de la prise de courant. Verrouillez la tête coulissante dans la position la plus en avant possible. Placez un récipient pour recevoir l'huile sous le devant de la boîte à engrenages. Retirez la fiche de vidange d'huile et inclinez la scie vers l'avant au-dessus du récipient jusqu'à ce que toute l'huile ait été drainée. Remettez la fiche de vidange en place. Ajoutez de l'huile conformément aux instructions ci-dessus.

BALAIS DE CHARBON

Les balais et le commutateur dans votre outil ont été conçus pour fonctionner sans problème pendant de nombreuses heures d'utilisation. Pour maintenir le rendement optimal du moteur, nous recommandons d'examiner les balais tous les deux à six mois. Les balais ne doivent pas être recouverts de saletés ou de poussière. Les balais doivent être remplacés quand ils sont usés au point de n'avoir plus que 3/16 po de long. Les balais doivent pouvoir glisser

librement dans les porte-balais sans coller.

Pour inspecter les balais :

1. Débranchez la fiche de la prise de courant.
2. Desserrez les bouchons porte-balais sur le boîtier du moteur en les faisant tourner d'un quart de tour au moyen d'une pièce de monnaie ou d'un tournevis court, puis finissez de retirer le balai à la main. Notez dans quel sens le balai est orienté pour qu'il puisse être remis dans sa position d'origine.
3. Nettoyez l'ouverture du porte-balais à l'air comprimé ou avec un tissu propre.
4. Remettez le balai et le bouchon à leur place. N'utilisez que des balais de remplacement SKILSAW authentiques conçus pour votre outil particulier.

Éclairage avec ombre

Pour obtenir la meilleure performance possible du système d'éclairage avec ombre, effectuez périodiquement la maintenance suivante :

- Nettoyez soigneusement la sciure de bois et les débris de la lentille d'éclairage avec ombre avec un coton-tige.
- N'utilisez PAS de solvants de quelque sorte que ce soit car ils peuvent endommager la lentille.
- L'accumulation de poussière peut bloquer l'éclairage avec ombre et l'empêcher de montrer clairement le trait de coupe.
- La présence de poix ou de débris sur la lame peut interférer avec le système d'éclairage avec ombre et l'empêcher de montrer clairement le trait de coupe. Suivez les instructions du mode d'emploi de la scie à ongle pour retirer et installer les lames. Après avoir retiré la lame de la scie, nettoyez-la pour en retirer la poix et l'accumulation de débris.

RECHERCHE DE LA CAUSE DES PROBLÈMES

Mettez l'interrupteur hors tension (« OFF ») et débranchez toujours la fiche de la source d'alimentation avant de commencer à chercher la cause des problèmes.

TROUBLE : LA SCIE NE DÉMARRE PAS.

- PROBLÈME**
1. Le cordon d'alimentation n'est pas branché.
 2. Le fusible est grillé ou le disjoncteur s'est déclenché.
 3. Le cordon d'alimentation est endommagé.
 4. L'interrupteur est grillé.

- REMÈDE**
1. Branchez la scie dans une prise de courant opérationnelle.
 2. Remplacez le fusible ou réinitialisez le disjoncteur qui s'est déclenché.
 3. Faites remplacer le cordon d'alimentation par un Centre de service après-vente ou de réparation agréé de SKILSAW.
 4. Faites remplacer l'interrupteur par un Centre de service après-vente ou de réparation agréé de SKILSAW.

TROUBLE : LA LAME NE TOURNE PAS À LA VITESSE NORMALE

- PROBLÈME**
1. Le cordon de rallonge est trop léger ou trop long.
 2. Tension secteur basse.

- REMÈDE**
1. Remplacez-le par un cordon adéquat.
 2. Contactez votre fournisseur d'énergie électrique.

TROUBLE : VIBRATIONS EXCESSIVES

- PROBLÈME**
1. La lame est déséquilibrée.
 2. La scie n'es pas montée de façon suffisamment sécurisée sur le support ou l'établi.
 3. L'écrou de fixation de l'arbre n'est pas assez serré.

- REMÈDE**
1. Jetez la lame et utilisez une autre lame.
 2. Serrez tout le matériel de fixation.
 3. Voir la section « Assemblée », « Retrait et installation de la lame ».

TROUBLE: LE SYSTÈME D'ÉCLAIRAGE AVEC OMBRE NE FONCTIONNE PAS OU L'INTENSITÉ LUMINEUSE EST INSUFFISANTE.

- PROBLÈME**
1. Le dessus du système d'éclairage avec ombre est recouvert de sciure ou de poix.
 2. L'interrupteur du système d'éclairage avec ombre n'est pas activé.
 3. L'interrupteur du système d'éclairage avec ombre ne fonctionne pas.

- REMÈDE**
1. Nettoyez le dessus du système d'éclairage avec ombre à l'air comprimé sec et/ou essuyez-le avec un tissu humide.
 2. Activez l'interrupteur du système d'éclairage avec ombre.
 3. Faites remplacer l'interrupteur par un Centre de service après-vente ou de réparation agréé de SKIL.

ACCESSOIRES RECOMMANDÉS

Lubrifiant Skilsaw 80111

Lame Skilsaw au carbure de 60 dents SPT1010





Support de scie à onglet repliable SPT1010

Support de scie à onglet roulant SPT5001-RS

Índice

	Page		Page
Símbolos de seguridad	78	Ajuste de la profundidad de corte.....	100
Normas generales de seguridad para herramientas para tablero de banco	79-85	Transporte y montaje	102
Normas de seguridad adicionales	86-87	Transporte	102
Glosario de términos del operador	88	Preparación para levantar la sierra	103
Familiarización con la sierra ingletadora	89-94	Montaje de la sierra	104
Ensamblaje	95-97	Operaciones de la sierra	105-117
Desempaquetado y comprobación del contenido	95	Interruptor	105
Herramientas necesarias para el ensamblaje y la alineación	95	Posiciones del cuerpo y de las manos ..	105
Instalación de la perilla de fijación de inglete	96	Luz LED con sombra	106
Remoción e instalación de la hoja.....	96	Instalación de la abrazadera para la pieza de trabajo.....	107
Utilización de hojas con puntas de carburo	97	Corte deslizante.....	107
Ajustes	97-100	Sistema de ingletes	108
Ajuste de bisel en ángulo recto con la mesa.....	97	Mantenimiento y lubricación	117-118
Ajuste de los indicadores de la escala de biseles	97	Lubricación de los engranajes.....	117
Ajuste de los topes de bisel de 45° a la derecha y a la izquierda	98	Escobillas de carbono	117
Ajuste del sistema de ingletes	99	Resolución de problemas.....	118

Símbolos de seguridad

Las definiciones que aparecen a continuación describen el nivel de gravedad de cada palabra de aviso. Por favor, lea el manual y preste atención a estos símbolos.	
	Éste es el símbolo de alerta de seguridad. Se utiliza para alertarle a usted de posibles peligros de lesiones corporales. Obedezca todos los mensajes de seguridad que sigan a este símbolo para evitar posibles lesiones o muerte.
	PELIGRO indica una situación peligrosa que, si no se evita, causará la muerte o lesiones graves.
	ADVERTENCIA indica una situación peligrosa que, si no se evita, podría causar la muerte o lesiones graves.
	PRECAUCIÓN, cuando se utiliza con el símbolo de alerta de seguridad, indica una situación peligrosa que, si no se evita, causará lesiones leves o moderadas.

⚠ ADVERTENCIA Lea todas las advertencias de seguridad, instrucciones, ilustraciones y especificaciones suministradas con esta herramienta eléctrica. Si no se siguen todas las instrucciones que se indican a continuación, es posible que el resultado sea descargas eléctricas, incendio y/o lesiones graves.

Guarde todas las advertencias e instrucciones para referencia futura

La expresión "herramienta eléctrica" en las advertencias se refiere a su herramienta eléctrica alimentada por la red eléctrica (alámbrica) o su herramienta eléctrica alimentada por baterías (inalámbrica)

Seguridad en el área de trabajo

Mantenga limpia y bien iluminada el área de trabajo. Los bancos desordenados y las áreas oscuras invitan a que se produzcan accidentes.

No utilice herramientas eléctricas en atmósferas explosivas, tales como las existentes en presencia de líquidos, gases o polvos inflamables. Las herramientas eléctricas generan chispas y éstas pueden causar la ignición del polvo o los vapores.

Mantenga alejados a los niños y a las personas que se encuentren presentes mientras esté utilizando una herramienta eléctrica. Las distracciones pueden hacerle perder el control.

Seguridad eléctrica

Los enchufes de las herramientas eléctricas deben coincidir con el tomacorriente. No modifique nunca el enchufe de ninguna manera. No utilice enchufes adaptadores con herramientas eléctricas conectadas a tierra (puestas a masa). Los enchufes sin modificar y los tomacorrientes coincidentes reducirán el riesgo de descargas eléctricas.

Evite el contacto del cuerpo con las superficies conectadas a tierra o puestas a masa, tales como tuberías, radiadores, estufas de cocina y refrigeradores. Hay mayor riesgo de que se produzcan descargas eléctricas si su cuerpo está conectado a tierra.

No esponga las herramientas eléctricas a la lluvia ni a situaciones húmedas. La entrada de agua en una herramienta eléctrica aumentará el riesgo de que se produzcan descargas eléctricas.

No abuse del cable. No use nunca el cable para transportar, jalar o desenchufar la herramienta eléctrica. Mantenga el cable alejado del calor, el aceite, los bordes afilados o las piezas móviles. Los cables

dañados o enredados podrían aumentar el riesgo de que se produzcan descargas eléctricas.

Cuando utilice una herramienta eléctrica a la intemperie, utilice un cable de extensión adecuado para uso a la intemperie. La utilización de un cable adecuado para uso a la intemperie reduce el riesgo de que se produzcan descargas eléctricas.

Si es inevitable utilizar una herramienta eléctrica en un lugar húmedo, utilice una fuente de alimentación protegida por un interruptor de circuito accionado por corriente de pérdida a tierra (GFCI, por sus siglas en inglés). El uso de un GFCI reduce el riesgo de descargas eléctricas.

Seguridad personal

Manténgase alerta, fíjese en lo que está haciendo y use el sentido común cuando utilice una herramienta eléctrica. No utilice una herramienta eléctrica mientras esté cansado o bajo la influencia de drogas, alcohol o medicamentos. Es posible que un momento de descuido mientras se estén utilizando herramientas eléctricas cause lesiones corporales graves.

Utilice equipo de protección personal. Use siempre protección ocular. Los equipos protectores, tales como una máscara antipolvo, calzado de seguridad antideslizante, casco o protección de la audición, utilizados según lo requieran las condiciones, reducirán las lesiones corporales.

Evite el arranque accidental. Asegúrese de que el interruptor esté en la posición de apagado antes de conectar la herramienta a una fuente de alimentación y/o a un paquete de batería, levantar la herramienta o transportarla. Si se transportan herramientas eléctricas con el dedo en el interruptor o si se suministra

Normas generales de seguridad para herramientas para tablero de banco

corriente a herramientas que tengan el interruptor en la posición de encendido se invita a que se produzcan accidentes.

Retire todas las llaves de ajuste o de tuerca antes de ENCENDER la herramienta. Es posible que una llave de tuerca o de ajuste que esté sujeta a una pieza rotativa de la herramienta cause lesiones corporales.

No intente alcanzar demasiado lejos. Mantenga un apoyo de los pies y un equilibrio adecuados en todo momento. Esto permitirá un mejor control de la herramienta eléctrica en situaciones inesperadas.

Vístase adecuadamente. No se ponga ropa holgada ni joyas. Mantenga el pelo, la ropa y los guantes alejados de las piezas móviles. La ropa holgada, las joyas o el pelo largo pueden quedar atrapados en las piezas móviles.

If devices are provided for the connection of dust extraction and collection facilities, ensure these are connected and properly used. Use of dust collection can reduce dust-related hazards.

No deje que la familiaridad obtenida con el uso frecuente de las herramientas le haga volverse complaciente e ignorar los principios de seguridad de las herramientas. Una acción descuidada puede causar lesiones graves en una fracción de segundo.

Uso y cuidado de la herramienta eléctrica

No fuerce la herramienta eléctrica. Use la herramienta eléctrica correcta para la aplicación que vaya a realizar. La herramienta correcta hará el trabajo mejor y con más seguridad a la capacidad nominal para la que está diseñada.

No utilice la herramienta eléctrica si el interruptor no la enciende o apaga. Cualquier herramienta eléctrica que no se pueda controlar con el interruptor es peligrosa y debe ser reparada..

Desconecte el enchufe de la fuente de alimentación y/o retire el paquete de batería de la herramienta eléctrica, si es extraíble, antes de hacer cualquier ajuste, cambiar accesorios o almacenar la herramienta eléctrica. Dichas medidas preventivas de

seguridad reducen el riesgo de arrancar accidentalmente la herramienta.

Guarde las herramientas eléctricas que no esté usando fuera del alcance de los niños y no deje que las personas que no estén familiarizadas con la herramienta eléctrica o estas instrucciones utilicen la herramienta eléctrica. Las herramientas eléctricas son peligrosas en las manos de los usuarios no capacitados.

Realice mantenimiento de las herramientas eléctricas y los accesorios. Compruebe si hay desalineación o atoramiento de las piezas móviles, rotura de piezas y cualquier otra situación que pueda afectar al funcionamiento de la herramienta eléctrica. Si está dañada, haga que reparen la herramienta eléctrica antes de utilizarla. Muchos accidentes son causados por herramientas eléctricas mantenidas deficientemente.

Mantenga las herramientas de corte afiladas y limpias. Las herramientas mantenidas adecuadamente, con bordes de corte afilados, tienen menos probabilidades de atorarse y son más fáciles de controlar.

Utilice la herramienta eléctrica, los accesorios y las brocas de la herramienta, etc., de acuerdo con estas instrucciones, teniendo en cuenta las condiciones de trabajo y el trabajo que se vaya a realizar. El uso de la herramienta eléctrica para operaciones distintas a las previstas podría causar situaciones peligrosas.

Mantenga los mangos y las superficies de agarre secos, limpios y libres de aceite y grasa. Los mangos resbalosos y las superficies de agarre resbalosas no permiten manejar ni controlar de manera segura la herramienta en situaciones inesperadas.

Servicio de ajustes y reparaciones
Haga que su herramienta eléctrica reciba servicio de ajustes y reparaciones por un técnico de reparaciones calificado que utilice únicamente piezas de repuesto idénticas. Esto garantizará que se mantenga la seguridad de la herramienta eléctrica.

Especificaciones del motor

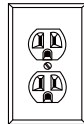
En caso de mal funcionamiento o avería, la conexión a tierra proporciona un camino de resistencia mínima para la corriente eléctrica,

Normas generales de seguridad para herramientas para tablero de banco

con el fin de reducir el riesgo de descargas eléctricas. Esta herramienta está equipada con un cable eléctrico que tiene un conductor de conexión a tierra del equipo y un enchufe de conexión a tierra. El enchufe se debe introducir en un tomacorriente coincidente que esté instalado y conectado a tierra adecuadamente, de acuerdo con todos los códigos y ordenanzas locales. Esta sierra está cableada para funcionar con corriente alterna de 110-120 V, 60 Hz. Antes de conectar el cable del motor a una fuente de alimentación, asegúrese de que el interruptor esté en la posición de "APAGADO" y cerciórese de que la corriente eléctrica tenga las mismas características que las especificadas en la placa de identificación de la sierra de mesa.

Conexión a una fuente de alimentación

Esta máquina debe estar conectada a tierra mientras se esté utilizando, para proteger al operador contra las descargas eléctricas. Enchufe el cable de alimentación en un tomacorriente de tipo conectado a tierra adecuadamente de 110-120 V, protegido por un fusible o cortacircuitos de acción retardada con elemento dual de 15 A. No todos los tomacorrientes están conectados a tierra adecuadamente. Si no está seguro si su tomacorriente, tal y como se muestra en esta página, está conectado a tierra adecuadamente, haga que un electricista calificado lo compruebe.



Para evitar las descargas eléctricas, no toque los terminales metálicos del enchufe cuando inserte el enchufe en el tomacorriente ni cuando lo saque del mismo. Si esta herramienta eléctrica no se conecta adecuadamente a tierra, el resultado puede ser electrocución o descargas eléctricas fuertes, especialmente cuando se utilice cerca de plomería metálica u otros objetos metálicos. Si usted recibe una descarga eléctrica, su reacción podría hacer que las manos golpeen la herramienta.

Si el cable de alimentación está desgastado, cortado o dañado de alguna manera, haga que lo reemplacen inmediatamente para evitar el peligro de

descargas eléctricas o incendio.

Esta unidad está diseñada para utilizarse con 120 V y está equipada con un cable de tres conductores y un enchufe de tipo de conexión a tierra aprobados por Underwriters Laboratories y la Asociación Canadiense de Estandarización (Canadian Standards Association). El conductor de conexión a tierra tiene un forro verde y está sujeto a la carcasa de la herramienta en un extremo y al terminal de conexión a tierra del enchufe de conexión en el otro extremo.

Si el tomacorriente que piensa usar para esta herramienta eléctrica es del tipo de dos terminales, **NO QUITE NI ALTERE DE NINGUNA MANERA EL TERMINAL DE CONEXIÓN A TIERRA.** Haga que un electricista calificado reemplace el tomacorriente para DOS terminales por un tomacorriente para TRES terminales conectado a tierra adecuadamente. No utilice enchufes adaptadores.

La conexión incorrecta del conductor de conexión a tierra del equipo puede causar un riesgo de descargas eléctricas. El conductor con aislamiento que tiene una superficie exterior de color verde con o sin franjas amarillas es el conductor de conexión a tierra del equipo. Si es necesario reparar o reemplazar el cable eléctrico o el enchufe, no conecte el conductor de conexión a tierra del equipo a un terminal con corriente.

Consulte a un electricista calificado o a personal de servicio calificado si no entiende completamente las instrucciones de conexión a tierra o si tiene dudas sobre si la herramienta está conectada a tierra adecuadamente.

Cables de extensión

Reemplace inmediatamente los cables dañados. La utilización de cables dañados puede causar descargas eléctricas, quemar o electrocutar.

Utilice siempre cables de extensión apropiados. Utilice únicamente cables de extensión de tres alambres que tengan enchufes de tipo de conexión a tierra de tres terminales y tomacorrientes para tres polos que acepten el enchufe de la herramienta. tamaño correcto a utilizar, según la longitud del cable y el amperaje indicado en la placa de identificación de la herramienta. En caso de duda, utilice la medida más gruesa siguiente. Utilice siempre cables de extensión

Normas generales de seguridad para herramientas para tablero de banco

homologados por UL y la CSA.

TAMAÑOS RECOMENDADOS DE CABLES DE EXTENSIÓN HERRAMIENTAS DE CORRIENTE ALTERNA DE 120 V

Amperaje de la herramienta	Tamaño del cable en A.W.G				Tamaños de alambre en mm ²			
	Longitud del cable en pies				Longitud del cable en metros			
	25	50	100	150	15	30	60	120
3-6	18	16	16	14	0.75	0.75	1.5	2.5
6-8	18	16	14	12	0.75	0.75	2.5	4.0
8-10	18	16	14	12	0.75	0.75	2.5	4.0
10-12	16	16	14	12	1.0	2.5	4.0	–
12-16	14	12	–	–	–	–	–	–

NOTA: Cuanto más pequeño sea el número de calibre, más pesado será el cable.

⚠ ADVERTENCIA Lea todas las instrucciones. Es posible que el incumplimiento de las NORMAS DE SEGURIDAD identificadas por el símbolo del PUNTO NEGRO (•) que se indican A CONTINUACIÓN y otras precauciones de seguridad cause lesiones corporales graves.

GUARDE ESTAS INSTRUCCIONES

Normas de seguridad para sierras ingletadoras

Las sierras ingletadoras están diseñadas para cortar madera o productos parecidos a la madera, y no se pueden usar con ruedas de corte abrasivas para cortar materiales ferrosos tales como barras, varillas, espigas, etc. El polvo abrasivo hace que las piezas móviles, tales como el protector inferior, se atoren. Las chispas generadas por el corte abrasivo quemarán el protector inferior, el inserto de sección de corte y otras piezas de plástico.

Utilice abrazaderas para soportar la pieza de trabajo siempre que sea posible. Si soporta la pieza de trabajo con la mano, debe mantener siempre la mano por lo menos a 100 mm de cualquiera de los dos lados de la hoja de sierra. No utilice esta sierra para cortar piezas que sean demasiado pequeñas para fijarlas con abrazaderas o sujetarlas con la mano. Si se pone la mano demasiado cerca de la hoja de sierra, existe un mayor riesgo de lesiones por causa de contacto con la hoja.

La pieza de trabajo debe estar

estacionaria y fijada con abrazaderas o sujeta tanto contra el tope-guía como contra la mesa. No haga avanzar la pieza de trabajo hacia la hoja ni corte "a pulso" de ninguna manera. Las piezas de trabajo que no tengan restricciones o que se muevan podrían ser lanzadas a altas velocidades y causar lesiones.

Empuje la sierra a través de la pieza de trabajo. No jale la sierra a través de la pieza de trabajo. Para hacer un corte, suba el cabezal de la sierra y jálelo hacia fuera sobre la pieza de trabajo sin cortarla, arranque el motor, presione el cabezal hacia abajo y empuje la sierra a través de la pieza de trabajo. Es probable que el corte en la carrera de tracción haga que la hoja de sierra trepe y se salga de la pieza de trabajo, y que al hacerlo lance violentamente el ensamblaje de la hoja hacia el operador.

No cruce nunca la mano por encima de la línea de corte prevista ni delante ni detrás de la hoja de sierra. Es muy peligroso soportar la pieza de trabajo "con la mano cruzada", es decir, sujetando la pieza de trabajo a la derecha de la hoja con la mano izquierda o viceversa.

No ponga las manos detrás del tope-guía con cualquiera de ellas a menos de 100 mm de cualquiera de los dos lados de la hoja de sierra, pare retirar desechos de madera ni por ningún otro motivo mientras la hoja esté girando. Puede que la proximidad de la mano a la hoja de sierra que gira no sea obvia y es posible que usted resulte lesionado gravemente.

Inspeccione la pieza de trabajo antes de cortarla. Si la pieza de trabajo está arqueada o combada, fíjela con abrazaderas con la cara arqueada exterior orientada hacia el tope-guía. Asegúrese siempre de que no haya espacio libre entre la pieza de trabajo, el tope-guía y la mesa a lo largo de la línea de corte. Las piezas de trabajo curvadas o arqueadas pueden torcerse u moverse y es posible que causen atoramiento en la hoja de sierra que gira mientras se realiza el corte. No deberá haber clavos ni objetos extraños en la pieza de trabajo.

No utilice la sierra hasta que se hayan retirado de la mesa todas las

Normas generales de seguridad para herramientas para tablero de banco

herramientas, desechos de madera, etc., excepto la pieza de trabajo. Los residuos pequeños o los pedazos de madera sueltos u otros objetos que entren en contacto con la hoja cuando esté girando pueden ser lanzados a alta velocidad.

Corte únicamente una pieza de trabajo por vez. No se pueden fijar con abrazaderas ni sujetar de modo adecuado múltiples piezas de trabajo apiladas y es posible que dichas piezas se atoren en la hoja o se desplacen durante el corte.

Asegúrese de que la sierra ingletadora esté montada o colocada sobre una superficie de trabajo nivelada y firme antes de utilizarla. Una superficie de trabajo nivelada y firme reduce el riesgo de que la sierra ingletadora se vuelva inestable.

Planifique el trabajo que vaya a hacer. Cada vez que cambie el ajuste del ángulo de bisel o de inglete, asegúrese de que el tope-guía ajustable esté ajustado correctamente para soportar la pieza de trabajo y que no interfiera con la hoja ni con el sistema de protección. Sin "ENCENDER" la herramienta y sin pieza de trabajo en la mesa, mueva la hoja de sierra a través de un corte simulado completo para asegurarse de que no habrá interferencia ni peligro de cortar el tope-guía.

Proporcione accesorios de soporte adecuados, tales como extensiones de mesa, caballetes de aserrar, etc., para piezas de trabajo que sean más anchas o más largas que el tablero de la mesa. Las piezas de trabajo más largas o más anchas que la mesa de la sierra ingletadora se pueden inclinar si no se soportan adecuadamente. Si la pieza cortada o la pieza de trabajo se inclinan, pueden hacer que el protector inferior suba o pueden ser arrojadas por acción de la hoja que gira.

No use a otra persona como sustituto de una extensión de la mesa ni como soporte adicional. Un soporte inestable de la pieza de trabajo puede hacer que la hoja se atore o que la pieza de trabajo se desplace durante la operación de corte, jalándolos a usted y al ayudante hacia la hoja que gira.

La pieza cortada no debe estar atorada ni presionada por ningún medio contra la hoja de sierra mientras esté girando. Si

se confina dicha pieza, es decir, si se usan topes de longitud, podría quedar atrapada en cuña contra la hoja y ser arrojada violentamente.

Use siempre una abrazadera o un dispositivo de sujeción diseñado para soportar adecuadamente material redondo tal como varillas o tubos. Las varillas tienen tendencia a rodar mientras son cortadas, haciendo que la hoja "se clave" en la pieza de trabajo y la jale, junto con la mano del operador, hacia la hoja.

Deje que la hoja alcance su velocidad máxima antes de entrar en contacto con la pieza de trabajo. Esto reducirá el riesgo de que la pieza de trabajo sea lanzada.

Si la pieza de trabajo o la hoja se atoran, apague la sierra ingletadora. Espere a que todas las piezas móviles se detengan y desconecte el enchufe de la fuente de alimentación y/o retire el paquete de batería. Luego, trabaje para liberar el material atorado. Un aserrado continuo de una pieza de trabajo atorada podría causar pérdida de control o daños a la sierra ingletadora.

Después de terminar el corte, suelte el interruptor, sujete el cabezal de la sierra hacia abajo y espere a que la hoja se detenga antes de retirar la pieza de trabajo o la pieza cortada. Es peligroso poner la mano cerca de la hoja cuando está girando por inercia.

Agarre firmemente el mango cuando haga un corte incompleto o cuando suelte el interruptor antes de que el cabezal de la sierra esté en la posición completamente hacia abajo. Es posible que la acción de frenado de la sierra haga que el cabezal de la sierra sea jalado repentinamente hacia abajo, lo cual causará un riesgo de lesiones.

Advertencias adicionales

Guarde las herramientas que no esté usando fuera del alcance de los niños y otras personas no capacitadas. Las herramientas son peligrosas en las manos de los usuarios no capacitados.

No deje desatendida la herramienta mientras esté en funcionamiento. Apáguela. No deje la herramienta hasta que se haya detenido por completo.

HAGA EL TALLER A PRUEBA DE NIÑOS CON UN CANDADO O CON INTERRUPTORES MAESTROS, o retirando las llaves de arranque.

Antes de enchufar la herramienta, asegúrese de que la tensión del tomacorriente sea compatible con la tensión especificada en la placa de identificación dentro de un margen del 10%. Una tensión del tomacorriente incompatible con la que se especifique en la placa de identificación puede dar como resultado peligros graves y daños a la herramienta.

No se suba a la herramienta ni a su base. Se pueden producir lesiones graves si la herramienta se inclina o si se entra en contacto accidentalmente con la herramienta de corte. No guarde materiales sobre la herramienta ni cerca de ella de tal modo que sea necesario subirse a la herramienta o a su base para alcanzarlos.

No utilice la herramienta eléctrica para propósitos para los que no está diseñada. - Por ejemplo, no use la sierra ingletadora para cortar carne.

Utilice abrazaderas u otro modo práctico de fijar y soportar la pieza de trabajo en una plataforma estable. La sujeción de la pieza de trabajo con la mano o contra el cuerpo resulta inestable. Permite que la pieza de trabajo se desplace y cause atoramiento de la herramienta y pérdida de control.

Al cortar piezas de trabajo que tengan forma irregular, planifique su trabajo de manera que la pieza de trabajo no resbale, comprima la hoja y le sea arrancada a usted de la mano. Por ejemplo, una pieza de moldura debe estar colocada en posición plana o estar sujeta por un dispositivo de sujeción o un posicionador que no permita que la pieza se tuerza, oscile o resbale mientras esté siendo cortada.

Para realizar cortes con acción de troceado, mueva el ensamblaje del cabezal hacia la parte trasera tanto como sea posible y acople el cierre del mecanismo. Luego, **ENCIENDA la sierra y baje el ensamblaje del cabezal para hacer el corte.** Suelte el interruptor y espere a que la hoja se detenga por completo antes de subir el ensamblaje del cabezal y retirar la pieza de trabajo. El hecho de no bloquear el mecanismo puede hacer que la broca trepe repentinamente sobre la pieza de trabajo y se fuerce a sí misma hacia usted.

No utilice la sierra en el siguiente intervalo de combinaciones de inglete y bisel: Bisel a la izquierda de 45° a 47° Y ADEMÁS inglete a la derecha de 46° a 60°. Es posible que estas combinaciones de inglete y bisel causen interferencia entre las piezas deslizantes y estacionarias de la sierra o entre las piezas deslizantes y la pieza de trabajo. Para hacer el corte, retire el tope-guía deslizando y la perilla de fijación del tope-guía deslizando.

La acción de frenado de la sierra hace que el cabezal de la sierra dé sacudidas hacia abajo. Este preparado para esta reacción al hacer un corte incompleto o al soltar el interruptor antes de que el cabezal esté en la posición completamente hacia abajo.

Si la hoja no se detiene al cabo de cinco (5) segundos, desenchufe la sierra y siga las instrucciones que se incluyen en la sección "Resolución de problemas".

Para reducir el riesgo de lesiones, utilice una hoja de sierra con capacidad nominal de 4000/min (RPM) o mayor.

No deje que la familiaridad obtenida con el uso frecuente de la sierra ingletadora se vuelva algo común. Recuerde siempre que una fracción de segundo de descuido es suficiente para causar lesiones graves.

¡Piense en la seguridad! La seguridad es una combinación de sentido común y conocimiento de las instrucciones de seguridad y funcionamiento por parte del operador, y de que éste permanezca alerta en todo momento mientras se esté utilizando la sierra ingletadora.

Desconecte siempre el cable de alimentación de la fuente de alimentación antes de transportar la sierra ingletadora.

Advertencias adicionales

Desenchufe el cable de alimentación, baje el ensamblaje del cabezal y fíjelo en la posición correcta acoplando el pasador de fijación. Utilice el mango de transporte incluido en la parte superior del brazo de la sierra y una de las indentaciones para la mano ubicadas en la base de la sierra.

Hay instrucciones de seguridad adicionales para operaciones específicas de la sierra en la sección Operaciones de la sierra. Lea el resto del manual para informarse sobre la utilización con seguridad.

NORMAS DE SEGURIDAD ADICIONALES

SÍMBOLOS


Es posible que algunos de los siguientes símbolos se usen en esta herramienta. Por favor, estúdielos y aprenda su significado. La interpretación adecuada de estos símbolos le permitirá utilizar la herramienta mejor y de manera más segura.

Símbolo	Nombre	Designación/explicación
ϕ	diámetro	diámetro
V	Voltio	Tensión (potencial)
A	Ampere	Coriente
Hz	Herzio	Frecuencia (ciclos por segundo)
W	Vatio	Potencia
	Corriente alterna	Tipo de corriente
	Corriente continua	Tipo o característica de la corriente
n_0	Velocidad sin carga	Velocidad rotacional, sin carga
	Construcción de Clase II	Construcción con aislamiento doble
.../min	Por minuto	Revoluciones, carreras, velocidad superficial, órbitas, etc., por minuto
	Alerta de condiciones húmedas	No exponga la unidad a la lluvia ni la use en lugares húmedos
	Lea el manual del operador	Para reducir el riesgo de lesiones, el usuario debe leer y entender el manual del operador antes de utilizar este producto.
	Protección ocular	Use siempre anteojos de seguridad o lentes de seguridad con protectores laterales y una careta completa cuando utilice este producto.
	Alerta de seguridad	Precauciones que involucran la seguridad del usuario.
	Símbolo de Manos No	Si no se mantienen las manos alejadas de la hoja, el resultado será lesiones corporales graves.
	Superficie caliente	Para reducir el riesgo de lesiones o daños, evite el contacto con cualquier superficie caliente.

⚠️ ADVERTENCIA LAS ADVERTENCIAS QUE SE MUESTRAN A CONTINUACIÓN SE PUEDEN ENCONTRAR EN SU HERRAMIENTA. ESTAS ADVERTENCIAS SON SOLO UNA FORMA CONDENSADA DE LAS NORMAS DE SEGURIDAD Y LAS PRECAUCIONES MÁS DETALLADAS QUE APARECEN EN SU MANUAL DEL USUARIO. SIRVEN COMO RECORDATORIO DE TODAS LAS NORMAS DE SEGURIDAD NECESARIAS PARA UTILIZAR ESTA SIERRA INGLETADORA DE MANERA SEGURA.

⚠️ WARNING To reduce risk of injury, user must read instruction manual. Wear eye protection. Use saw blade rated 4000/min or greater. Do not use saw without functioning guard system. If guard does not operate smoothly, have it serviced. After changing blade return guard to operating position. Keep hands a safe distance from saw blade. Always keep outside of No-Hands zone. Disconnect saw from power source before servicing or changing blade. Never reach around or in the back of the saw blade. Hold or clamp workpiece against base and fence. Never perform any operation freehand. Do not Cross-Hand cut. Never place your hands or arms across the projected saw blade path. With motor OFF, make a Dry-Run to be aware of the blade's reach. After turning saw OFF, keep saw in the down position and wait for blade to stop before removing cutoff pieces or changing settings. To avoid electrical shock, do not expose to rain or use in damp locations. When servicing use only identical replacement parts. For level or compound cutting, adjust sliding fence clear of blade path and guard system.

⚠️ FOR SLIDE ACTION CUTTING, ALWAYS FOLLOW THESE INSTRUCTIONS:
 1. PULL saw carriage away from the fence, until blade clears the work-piece or to its maximum extension if blade can not clear the workpiece. 2. Turn saw "ON" and lower the saw to the table.
 3. PUSH saw thru the workpiece. Never "pull-thru" since blade may climb the workpiece causing KICKBACK.




⚠️ POUR UNE COUPE LE LONG D'UN GLIAGE, TOUJOURS SUIVRE CES INSTRUCTIONS:
 1. TIREZ le cadre de la scie hors du guidage, jusqu'à ce que la lame sorte de la pièce de travail ou à son extension maximum si elle ne peut sortir de la pièce. 2. Mettre la scie sur « MARCHE » et l'abaisser vers la table.
 3. POUSSER la scie dans la pièce à couper. Ne jamais couper en tirant. La lame pourrait monter sur la pièce de travail et provoquer un RESSORT.
⚠️ PARA REALIZAR UN CORTE CON ACCIÓN DESLIZANTE, SIEMPRE SIGUIR ESTAS INSTRUCCIONES:
 1. TIRE del carro de la sierra alejándolo del top-guida, hasta que la hoja pase la pieza de trabajo o hasta su máxima extensión si la hoja no puede pasar la pieza de trabajo. 2. Encienda la sierra y bájela hasta la mesa.
 3. EMPUJE la sierra a través de la pieza de trabajo. No corte nunca corte "tirando de la sierra", ya que la hoja podría trepar por la pieza de trabajo, causando RETROCESO.

⚠️ ADVERTENCIA Para reducir el riesgo de lesiones, el usuario debe leer el manual de instrucciones. Use protección de los ojos. Use una hoja de sierra con capacidad nominal de 4000/min o mayor. No use la sierra si el sistema del protector no funciona correctamente. Si el protector no funciona con seguridad, haga que la den servicio de ajustes y reparaciones. Después de cambiar la hoja, repase el protector a la posición de funcionamiento. Mantenga las manos a una distancia segura de la hoja de sierra. Manténgalas siempre fuera de la zona de "manos no". Desconecte la sierra de la fuente de energía antes de realizar servicio de ajustes y reparaciones o de cambiar la hoja. No punja nunca las manos alrededor de la hoja de sierra ni detrás de ella. Fije o sujete con abrazaderas la pieza de trabajo contra la base y el top-guida. No realice nunca operaciones a pulso. No corte transversalmente a las manos. Nunca ponga las manos o los brazos en la trayectoria proyectada de la hoja de sierra. Con el motor en la posición de apagado, haga una pasada de prueba para comprobar el alcance de la hoja. Después de apagar la sierra, manténgala en la posición hacia abajo y espere a que la hoja se detenga antes de retirar las piezas cortadas o cambiar los ajustes. Para evitar los descargas eléctricas, no exponga la herramienta a la lluvia ni la utilice en lugares húmedos. Cuando haga servicio de ajustes y reparaciones de la herramienta, utilice únicamente piezas de repuesto idénticas. Para realizar cortes en listón o compuestos, ajuste el top-guida deslizable de manera que no esté en la trayectoria de la hoja y no interfiera con el sistema del protector.

⚠️ AVERTISSEMENT Pour réduire le risque de blessure, lire le mode d'emploi. Portez une protection oculaire. Utilisez une lame homologuée pour 4000 coups/min ou plus. Ne pas utiliser la scie sans système de protection en état de marche. Si le dispositif de protection ne fonctionne pas correctement, le faire réparer. Après un changement de lame, ramener le dispositif de protection en position de fonctionnement. Garder les mains à une distance sûre de la lame de scie. Toujours rester hors de la zone Pas de mains. Débrancher la scie avant de l'entretenir ou de changer la lame. N'entendez pas le bras de l'autre côté ou à l'arrière de la lame de scie. Maintenir ou fixer la pièce à travailler contre une base ou un guide. Ne jamais effectuer d'opération à main libre. Ne pas couper en face de la main. Ne jamais placer la main ou le bras dans le trajet prévu de la lame. Le moteur à l'ARRÊT, simuler un trajet sans couper pour vérifier la portée de la lame. Après l'ARRÊT de la scie, garder la scie en position basse et attendre que la lame s'arrête avant de retirer les pièces découpées ou de changer de réglage. Afin d'éviter une décharge électrique, ne pas exposer à la pluie ni utiliser dans des endroits humides. En cas de réparation, n'utiliser que des pièces de rechange identiques. Pour une coupe en biseau ou de composés, régler le guide coulissant hors du trajet de la lame et du dispositif de protection.



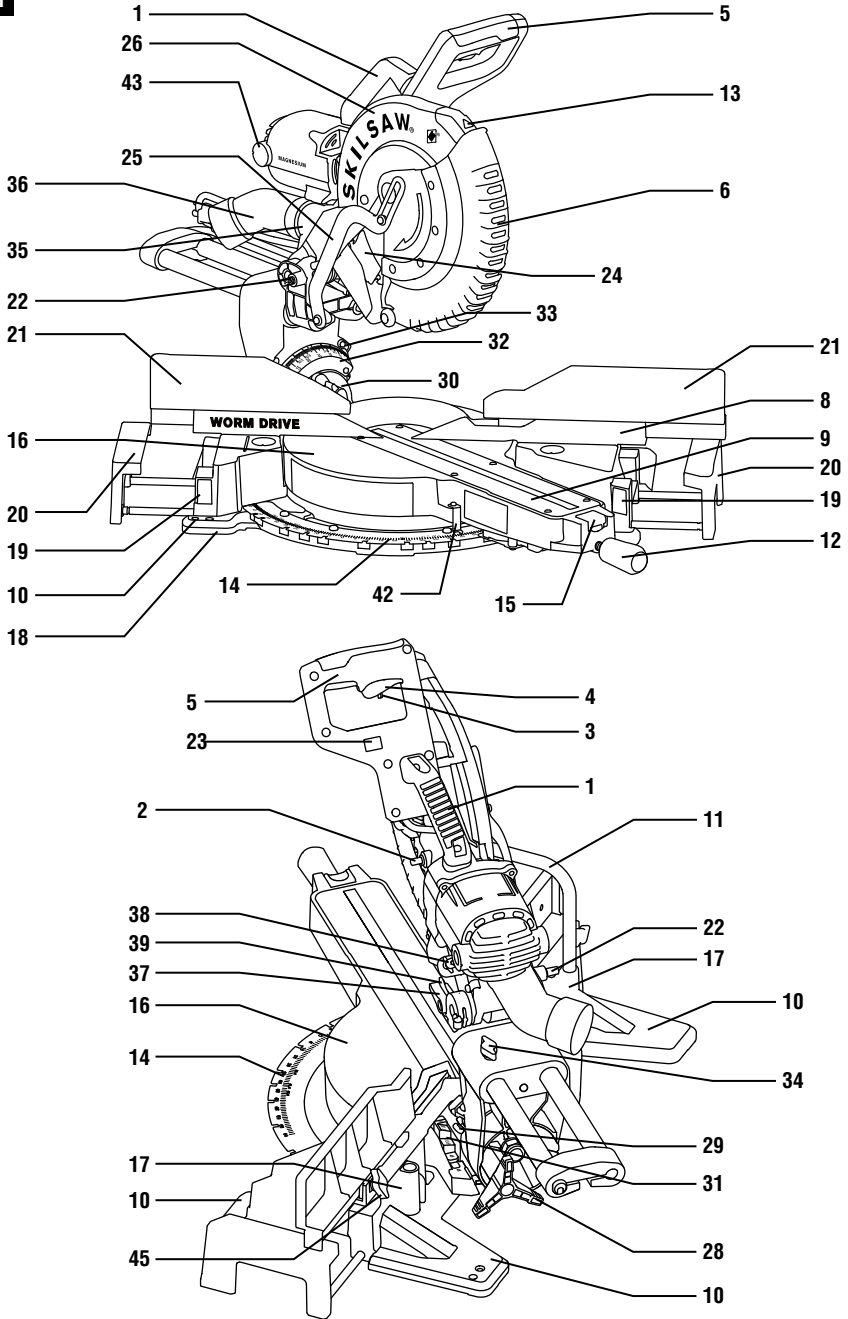
GLOSARIO DE TÉRMINOS DEL OPERADOR

- **Corte en bisel:** Una operación de corte realizada con la hoja a cualquier ángulo que no sea 90° respecto a la mesa de la sierra ingletadora.
- **Brida de la hoja:** Un anillo o collarín ubicado en un husillo o eje portaherramienta que permite que otros objetos, tales como una hoja, se sujeten a él.
- **Corte a inglete compuesto:** Un corte realizado utilizando un ángulo de inglete y un ángulo de bisel al mismo tiempo.
- **Corte transversal:** Una operación de corte que se realiza transversalmente a la veta de la pieza de trabajo.
- **Sección de corte:** El material retirado por la hoja en un corte pasante o la ranura producida por la hoja en un corte no pasante o parcial.
- **Retroceso:** Un peligro que puede ocurrir cuando la hoja se atora o se detiene, arrojando la pieza de trabajo hacia atrás, hacia el operador.
- **Corte a inglete:** Una operación de corte realizada con la hoja a cualquier ángulo que no sea 90° respecto al tope-guía.
- **Corona anidada:** Posicionamiento de la pieza de trabajo tipo corona de manera que forme un ángulo entre el tope-guía y la mesa para eliminar la necesidad de hacer un corte en bisel.
- **Zona de Manos No:** El área entre las líneas marcadas en el lado izquierdo y el lado derecho de la base. Esta zona se identifica por los símbolos de Zona de Manos No dentro de las líneas marcadas en la base.
- **Corte no pasante:** Cualquier operación de corte en la que la hoja no atraviese por completo el grosor de la pieza de trabajo.
- **Revoluciones por minuto (RPM):** El número de vueltas completadas en un minuto por un objeto que gira.
- **Trayectoria de la hoja de sierra:** El área encima, debajo, detrás o delante de la hoja, según se aplica a la pieza de trabajo; el área que será cortada o ha sido cortada por la hoja.
- **Husillo:** El eje giratorio en el que se monta una hoja o una herramienta de corte.
- **Pieza de trabajo o material:** El objeto en el cual se realiza la operación de corte. Las superficies de una pieza de trabajo se conocen comúnmente como caras, extremos y bordes.

FAMILIARIZACIÓN CON LA SIERRA INGLETADORA

Sierra ingletadora de 12 pulgadas SPT88

FIG. 1



FAMILIARIZACIÓN CON LA SIERRA INGLETADORA

Para evitar lesiones debidas a un arranque accidental, saque el enchufe del tomacorriente de la fuente de alimentación antes de hacer cualquier ajuste.

1. Mango de transporte

Este mango está incorporado en el ensamblaje del cabezal para utilizarlo durante el transporte.

2. Cierre del husillo

Permite al usuario evitar que la hoja rote mientras aprieta o afloja el perno de la hoja durante el reemplazo o la remoción de la misma.

3. Lengüeta de fijación en apagado

La lengüeta ambidiestra se debe rotar hacia la izquierda para activar el interruptor de alimentación.

4. Interruptor de alimentación

El interruptor de alimentación permite el paso de corriente a la unidad al presionarlo.

5. Mango con interruptor

Este mango contiene el interruptor de alimentación. La hoja se baja hacia la pieza de trabajo empujando/jalando hacia abajo el mango. La hoja es empujada a través de la pieza trabajo empujando sobre el mango.

6. Protector inferior de la hoja

Ayuda a proteger las manos del operador contra la hoja que gira. Se retrae al bajar la hoja.

7. Hoja

Utilice únicamente hojas de 12 pulgadas con agujero para eje portaherramienta de 1 pulgada.

8. Tope-guía fijo

Suporta la pieza de trabajo.

9. Placa de inserción

Minimiza el desgarramiento de la pieza de trabajo.

10. Almohadillas de montaje de la herramienta

Cuatro áreas para sujetar con abrazaderas, empernar o clavar la sierra a una superficie de trabajo plana.

11. Abrazadera vertical

Proporciona una fijación rápida de la pieza de trabajo.

12. Perilla de fijación de inglete

Fija la mesa de la sierra ingletadora en cualquier ángulo de inglete que se desee.

13. Luz con sombra

La luz LED que proyecta una sombra de la hoja para ayudar a identificar el lugar donde la hoja entrará en contacto con la pieza de trabajo.

14. Escala de ingletes con retenes de inglete

Esta escala le permite a usted leer y ajustar fácilmente los ángulos de inglete. Hay nueve (9) retenes de inglete para realizar cortes a inglete rápidos y precisos con los ángulos de inglete comunes.

15. Botón de fijación de retenes de inglete

Presione el botón de fijación de retenes de inglete para anular los retenes de inglete. Presione y empuje hacia dentro el botón de fijación de retenes de inglete para bloquear la función de retén en posición desactivada. Empuje de nuevo hacia abajo el botón de fijación de retenes de inglete para liberar dicho botón y reactivar la función de retén.

16. Mesa

Está asentada sobre la base, proporciona soporte para la pieza de trabajo, rota para realizar los cortes a inglete deseados y rota el ensamblaje del cabezal.

17. Posiciones de la abrazadera vertical

Hay dos (2) posiciones en la base para la abrazadera para la pieza de trabajo.

18. Base

Proporciona una superficie de trabajo para soportar la pieza de trabajo.

19. Botones de fijación de las extensiones

Hay un botón de fijación de la extensión para cada una de las extensiones de la mesa a ambos lados de la base. Presione el botón de fijación de la extensión para desbloquear la extensión de la mesa. Las extensiones de la mesa se fijan automáticamente ya sea en la posición completamente abierta o en la posición cerrada.

20. Extensiones de la mesa

FAMILIARIZACIÓN CON LA SIERRA INGLETADORA

Proporcionan soporte adicional y un área de fijación adicional con abrazaderas en cada extremo de la base. Cada extensión de la mesa se fija solamente en dos posiciones: cerrada y completamente abierta.

21. Topes-guía deslizantes

Proporcionan un soporte de altura máxima para la pieza de trabajo y se deslizan alejándose de la hoja para facilitar los cortes en bisel y compuestos. Los topes-guía también tienen agujeros, que se utilizan para sujetar firmemente un tope-guía auxiliar, si así se desea.

22. Pasador de fijación del ensamblaje del cabezal

Se utiliza para fijar el ensamblaje del cabezal en la posición inferior con el fin de facilitar el transporte.

23. Interruptor de encendido y apagado de la luz con sombra

Enciende y apaga el sistema de luz LED con sombra.

24. Deflector de virutas

Protege contra las virutas grandes para que no entren en el protector superior.

25. Eslabón del protector inferior

Permite un movimiento suave del protector inferior.

26. Protector superior de la hoja

Cubre la parte superior de la hoja.

27. Llave hexagonal

Se utiliza para apretar o aflojar el perno de la hoja, ajustar la placa de ingletes y retirar los topes-guía ajustables y los topes de bisel. La llave hexagonal se almacena en la parte trasera de la base.

28. Perilla de fijación de bisel

Fija la sierra en cualquier ángulo de bisel deseado.

29. Pernos de tope de bisel

Permiten ajustar el bisel de 45°. Hay uno para el bisel izquierdo y otro para el bisel derecho.

30. Perilla de liberación del bisel derecho

Gira para liberar el tope de bisel de 0° y permite cortar en bisel en el lado derecho. Puede que sea útil biselar el

brazo ligeramente hacia la izquierda para reducir cualquier presión en la perilla de liberación del bisel derecho.

31. Topes de bisel

Para cada dirección de bisel, los topes de bisel se deslizan hacia dentro y hacia fuera con el fin de proporcionar acceso rápido a los ángulos de bisel comunes.

32. Escala de biseles

Esta escala le permite a usted leer fácilmente los ángulos de bisel desde cualquiera de los dos lados.

33. Indicadores de la escala de biseles

Dos indicadores de la escala de biseles que se pueden ajustar.

34. Perilla de fijación de los rieles deslizantes

Gire la perilla de fijación de los rieles deslizantes para fijar dichos rieles en cualquier posición.

35. Orificio para polvo

El orificio para polvo fijo permite conectar fácilmente determinadas mangueras de aspiración y una bolsa colectora de polvo.

36. Codo del conducto para polvo

Se acopla al orificio para polvo y se puede rotar para ayudar a dirigir el flujo de polvo. También permite la conexión a una manguera de aspiración de 2 ½ pulgadas.

37. Tope de profundidad de corte

Rote el tope de profundidad de corte hacia abajo para permitir el control de la profundidad de corte.

38. Perno y tuerca de mariposa de profundidad de corte

Se utilizan con el tope de profundidad de corte; rote el perno de profundidad de corte para lograr la profundidad de corte deseada y luego fíjelo con la tuerca de mariposa.

39. Tope de preajuste para madera dimensionada

La lengüeta más delgada ubicada detrás del tope de profundidad de corte. El tope de preajuste para madera dimensionada se puede rotar hacia abajo para proporcionar la máxima capacidad horizontal para madera dimensionada

FAMILIARIZACIÓN CON LA SIERRA INGLETADORA

de 4x a un bisel de 0° y para madera dimensionada de 2x a un ángulo de bisel de 45°.

40. Tapón de llenado de aceite

Abra el tapón de llenado de aceite para comprobar el nivel del aceite o para añadir aceite o cambiarlo.

41. Tapón del drenaje de aceite

Abra el tapón del drenaje para sacar el aceite de la caja de engranajes.

42. Indicador del ángulo de inglete

Se puede ajustar fácilmente después de hacer un ajuste a la escala de ingletes.

43. Tapas de las escobillas

Utilice un destornillador de cabeza plana para retirar las tapas de las escobillas con el fin de acceder a las escobillas del motor.

44. Protector inferior de la hoja

El protector inferior de la hoja proporciona protección primaria contra la hoja que rota.

45. Perno de la hoja

Utilice la llave hexagonal suministrada para retirar el perno de la hoja con el fin de cambiar la hoja. Dicho perno es de rosca a izquierdas.

46. Perillas de fijación de los topes-guía deslizantes

Rote las perillas para desbloquear los topes-guía deslizantes.

47. Topes de corona

Ayudan a fijar las piezas de trabajo tipo corona en la posición anidada. Hay un tope izquierdo y un tope derecho, uno para cada lado de la herramienta.

48. Perilla de los topes de corona

La perilla de los topes de corona se enrosca en el lado de la mesa de extensión y fija los topes de corona.

FAMILIARIZACIÓN CON LA SIERRA INGLETADORA

ESPECIFICACIONES

Corriente nominal de la herramienta	15 A
Tensión nominal	120 V CA
Frecuencia	60Hz
Clase de aislamiento	Clase I, con conexión a tierra
Diámetro de la hoja	12"
Diámetro del agujero de la hoja para el eje portaherramienta	1"
Velocidad sin carga	4000 RPM
Máximo grosor de la sección de corte de la hoja de sierra	3mm
Ángulo de inglete máx.	60 a la derecha, 50 a la izquierda
Ángulo de bisel máx.	48 a la derecha y a la izquierda
Retenes de inglete	0, 15, 22,5, 31,6 y 45 a la derecha y a la izquierda, 60 a la derecha, 50 a la izquierda
Topes de bisel	0, 22,5, 33,9, 45 y 48 a la izquierda y a la derecha
Dimensiones	anchura 31-1/4 pulgadas (794 mm), profundidad 19 pulgadas (483 mm), altura 20 pulgadas (508 mm)
Longitud del cable	6 pies
Peso	51 lb

FAMILIARIZACIÓN CON LA SIERRA INGLETADORA

CAPACIDADES DE CORTE

Ángulo de inglete / Ángulo de bisel	Madera dimensionada (pulgadas)	Capacidad real	
		Altura máxima a 0° / 0°	Centímetros
	45° a la derecha y a la izquierda / 0°	altura anchura	altura anchura
50° a la derecha y a la izquierda / 0°	4 x 14	3-5/8 x 13-1/2	9.2 x 34.2
60° a la derecha / 0°	4 x 10	3-5/8 x 9-1/2	9.2 x 24.1
0° / 45° a la izquierda	4 x 8	3-5/8 x 8-5/8	9.2 x 21.9
0° / 45° a la derecha	4 x 6	3-5/8 x 6-5/8	9.2 x 16.8
45° / 45° a la izquierda	2 x 14	1-9/16 x 13-1/2	3.9 x 34.2
45° / 45° a la derecha	2 x 14	1-9/16 x 13-1/2	3.9 x 34.2
Moldura de base contra el tope-guía a 0°, inglete de 45° a la izquierda	2 x 10	1-9/16 x 9-1/2	3.9 x 24.1
Moldura de base contra el tope-guía, inglete de 45° a la derecha	2 x 10	1-9/16 x 9-1/2	3.9 x 24.1
Corona anidada (52°)	6 1/2	6 1/2	16.5
Corona en posición plana	3 1/2	3-5/8	9.2
Crown nested (52°)	5 1/2	5 1/2	14
Crown lying flat	11 1/2	11 1/2	29.2

ENSAMBLAJE

DESEMPAQUETADO Y COMPROBACIÓN DEL CONTENIDO

⚠ ADVERTENCIA Si falta alguna pieza, no enchufe el cable de alimentación ni ponga el interruptor en la posición de encendido hasta que las piezas que faltan se hayan obtenido y estén instaladas correctamente.

⚠ ADVERTENCIA Antes de mover la sierra: Fije la perilla de fijación de inglete en la posición de 45° a la izquierda o a la derecha. Fije la perilla de fijación de bisel. Fije el ensamblaje del cabezal en la posición hacia abajo.

No transporte nunca la herramienta por el cable ni por el mango con interruptor de alimentación del ensamblaje del cabezal. Los daños al aislamiento podrían causar una descarga eléctrica. Los daños a las conexiones de los cables podrían causar un incendio.

La sierra ingletadora deslizante para ángulos

compuestos modelo SPT88 se envía completa en una caja.

1. Separe todas las piezas de los materiales de empaquetamiento y compruebe cada una de ellas usando la “Tabla de piezas sueltas” para asegurarse de que no falte ninguna pieza antes de desechar cualquier material de empaquetamiento.

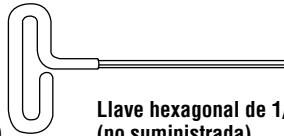
2. Piezas sueltas:

- Abrazadera vertical: Proporciona una fijación rápida de la pieza de trabajo.
- Llave hexagonal: Se almacena detrás del tope-guía deslizante.
- Perilla de fijación de inglete
- Bolsa colectora de polvo
- Codo del conducto para polvo
- 2 topes de corona (izquierdo y derecho)
- 2 perillas de topes de corona
- Instrucciones de funcionamiento y seguridad

HERRAMIENTAS NECESARIAS PARA EL ENSAMBLAJE Y LA ALINEACIÓN



Llave Allen de 2 tamaños
Hexagonal de 1/4 de pulgada, Torx T30 (suministrada)



Llave hexagonal de 1/8 de pulgada
(no suministrada)

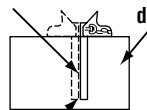


Escuadra de combinación
(no suministrada)

No debería haber espacio libre ni superposición al voltear la escuadra en la posición marcada con una línea de puntos

La escuadra de combinación debe estar alineada

Trace una línea ligera sobre el borde recto de la tabla de 3/4 pulgada de grosor. Este borde debe ser perfectamente recto



⚠ ADVERTENCIA Desconecte el enchufe de la fuente de alimentación antes de realizar cualquier ensamblaje, ajuste o reparación, para evitar posibles lesiones.

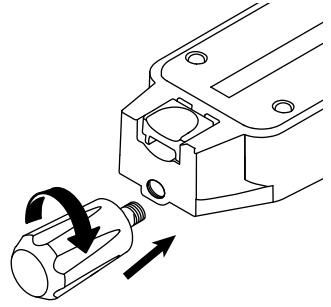
ENSAMBLAJE

INSTALACIÓN DE LA PERILLA DE FIJACIÓN DE INGLETE FIJACIÓN DE INGLETE

1. Localice la perilla de fijación de inglete entre las piezas sueltas.
2. Ensamble la perilla de fijación de inglete en la parte delantera de la mesa, de la manera que se muestra en la Fig. 2.

No la apriete excesivamente.

FIG. 2



REMOCIÓN E INSTALACIÓN DE LA HOJA

⚠ ADVERTENCIA Desconecte el enchufe de la fuente de alimentación antes de realizar cualquier ensamblaje, ajuste o reparación, para evitar posibles lesiones.

AVISO: limine todo exceso de aceite de la hoja antes de realizar la instalación.

1. Gire el protector inferior **1** a mano de manera que el eslabón de dicho protector no esté delante del perno de la hoja.
2. Presione y mantenga presionado el cierre del husillo. Utilice la llave hexagonal grande para retirar el perno de la hoja **4** girando la llave en el sentido de las agujas del reloj.

AVISO: El tornillo de la hoja es de rosca a izquierdas.

3. Retire el perno de la hoja **4**, la arandela externa **5** y la hoja **6**. No es necesario retirar la arandela interna **7** (Fig. 3a, 3b).
4. Para instalar la hoja de 12 pulgadas, encájela entre el deflector de virutas **8** y sobre el resalto de la arandela interna **9** (Fig. 3a, 3b).

FIG. 3a

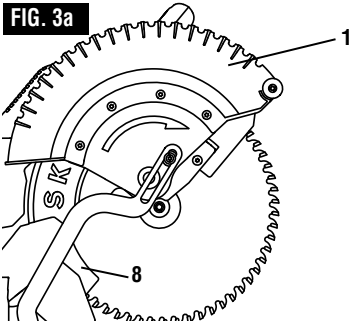
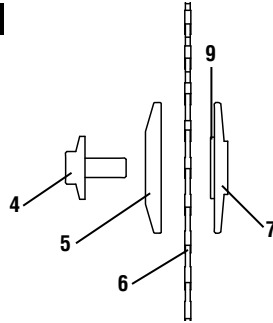


FIG. 3b



AVISO: Asegúrese de que la flecha de rotación ubicada en la hoja coincida con la flecha de rotación en el sentido de las agujas del reloj ubicada en el protector inferior.

⚠ ADVERTENCIA Utilice únicamente hojas de sierra para cortar madera cuyo diámetro esté de acuerdo con las marcas ubicadas en la sierra y que estén marcadas con una velocidad igual o superior a la velocidad indicada en la herramienta.

⚠ ADVERTENCIA Utilice únicamente hojas con un agujero para eje portaherramienta de 1 pulgada y secciones de corte de la hoja iguales o inferiores a 3 mm.

5. Reinstale la arandela exterior **5** en la orientación adecuada y apriete el perno de la hoja **4** con los dedos. Oprima el cierre del husillo y apriete firmemente el perno de la hoja **4**, pero no lo apriete demasiado.
6. Rote el protector inferior hasta la posición Abajo.
7. Asegúrese de que el cierre del husillo se haya liberado para que la hoja gire

ENSAMBLAJE

libremente.

bájela hasta el interior de la ranura de la mesa y compruebe si hay algún contacto con la base o con la estructura de la mesa giratoria. Si la hoja hace contacto con la mesa, obtenga servicio autorizado.

⚠ ADVERTENCIA Después de instalar una hoja nueva,

UTILIZACIÓN DE HOJAS CON PUNTAS DE CARBURO

Maneje con cuidado las hojas con puntas de carburo. El carburo es muy frágil y se puede dañar fácilmente. Tenga precaución cuando instale, utilice o almacene las hojas. No utilice una hoja con puntas de carburo que esté doblada o tenga dientes doblados, o si la hoja tiene grietas, está rota, le faltan puntas de carburo o tiene puntas de carburo

flojas.

No utilice una hoja con puntas de carburo a una velocidad mayor que la recomendada para dicha hoja. Lea, entienda y siga todas las advertencias e instrucciones suministradas con las hojas con puntas de carburo.

AJUSTES

⚠ ADVERTENCIA Desconecte el enchufe de la fuente de alimentación antes de realizar cualquier ensamblaje, ajuste o reparación, para evitar posibles lesiones.

AVISO: La sierra para cortar ingletes compuestos se ajustó completamente en la fábrica. Sin embargo, puede que durante el envío se haya producido una ligera desalineación. Compruebe las siguientes posiciones y ajústelas si es necesario antes de usar esta sierra para cortar ingletes compuestos.

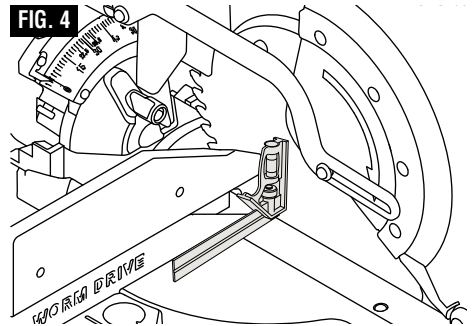
AJUSTE DEL SISTEMA DE BISELES

⚠ ADVERTENCIA Para evitar posibles lesiones, desconecte el enchufe de la fuente de alimentación antes de realizar cualquier ensamblaje, ajuste o reparación.

AJUSTE DE BISEL EN ÁNGULO RECTO CON LA MESA

Para alinear la hoja en ángulo recto con la mesa, fije el brazo en la posición hacia abajo con el pasador de fijación del ensamblaje del cabezal. Coloque una escuadra contra la hoja, asegurándose de que dicha escuadra no esté descansando contra un diente. Afloje la perilla de fijación de bisel y asegúrese de que el brazo esté ubicado firmemente contra el tope de bisel de 0°. Rote el tornillo de

ajuste de bisel de 0° con una llave hexagonal de 1/8 de pulgada, según sea necesario para que la hoja esté a un bisel de 0° respecto a la mesa.



AJUSTES

Una vez que haya ajustado la hoja en el ángulo correcto, asegúrese de ajustar los indicadores de la escala de biseles.

1. Afloje un cuarto de vuelta el tornillo que sujeta el indicador izquierdo en la posición correcta.
2. Alinee el indicador con la línea de 0° y reapriete el tornillo.
3. Repita los pasos 1 y 2 que anteceden para el indicador derecho.

AJUSTE DE LOS TOPES DE BISEL DE 45° A LA DERECHA Y A LA IZQUIERDA (FIG. 5, 6)

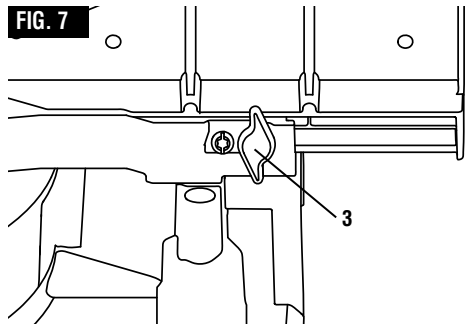
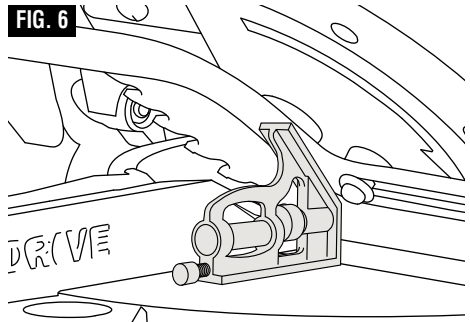
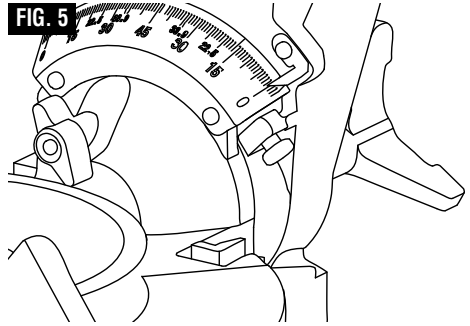
Para ajustar el ángulo de bisel de 45° a la derecha, afloje la perilla de fijación de bisel y rote la perilla de liberación de bisel de la derecha para anular el tope de bisel de 0°. Mueva el tope-guía deslizante para que no toque el ensamblaje del cabezal. Rote la hoja hasta que llegue al tope de bisel derecho de 45°. Coloque una escuadra de combinación contra la hoja y la mesa, y compruebe si la hoja está a 45° respecto a la mesa. Si la hoja no está a 45°, rótelas de vuelta hacia la izquierda para acceder al perno del tope de bisel. Utilice la llave hexagonal suministrada para ajustar el perno del tope de bisel. Compruebe de nuevo con la escuadra de combinación para asegurarse de que la hoja esté a 45° respecto a la mesa. Continúe ajustando el perno del tope de la hoja hasta que la hoja esté a 45° respecto a la mesa.

Para ajustar el tope de bisel de 45°, afloje primero la perilla de fijación de bisel e incline el ensamblaje del cabezal hacia la izquierda hasta que llegue al tope de bisel de 45° a la izquierda. Repita los pasos descritos anteriormente para el tope de bisel derecho.

Tope-guía deslizante

1. Desbloquee la perilla de fijación del tope-guía 3 (Fig. 7).
2. Deslice el tope-guía hasta la posición adecuada.
3. Bloquee de nuevo el tope-guía en la posición adecuada.
4. Mueva el ensamblaje del cabezal para comprobar la holgura con el tope-guía.

⚠ PRECAUCIÓN Durante el transporte, el tope-guía deslizante siempre deberá estar fijado en la posición completamente hacia adentro.



AJUSTES

AJUSTE DEL SISTEMA DE INGLETES

⚠ ADVERTENCIA Para evitar posibles lesiones, desconecte el enchufe de la fuente de alimentación antes de realizar cualquier ensamblaje, ajuste o reparación.

Calibración del sistema de retenes de inglete

1. Acople el retén de inglete en la posición de 0°. Afloje 1/2 vuelta la perilla de fijación de inglete.
2. Utilice la llave hexagonal suministrada para aflojar los cuatro tornillos de la placa de la escala de ingletes de 1 a 2 vueltas (Fig. 8a).
3. Deslice el ensamblaje del cabezal completamente hacia la parte trasera y luego acople la perilla de fijación de los rieles deslizantes apretando dicha perilla hacia la derecha.
4. Sostenga un lado de una escuadra de combinación de 90° contra el tope-guía y rote la mesa (y la placa de retenes) hasta que el lado de la placa de la hoja de sierra esté en contacto completo con el otro lado de la escuadra; no contacte los dientes de la hoja con la escuadra (Fig. 8b).
5. Apriete los cuatro tornillos. Afloje y reajuste el indicador de la escala de ingletes a la posición de "0".

Ajuste del indicador de la escala de ingletes

1. Rote la mesa hasta la posición de retén de 0° y fíjela en esa posición.
2. Suba el ensamblaje del cabezal hasta la posición completamente hacia ARRIBA.
3. Afloje el tornillo de ajuste del indicador que sujeta el indicador de la escala de ingletes en la posición correcta (Fig. 9).
4. Posicione el indicador de la escala de ingletes para que esté alienado con la línea de 0°. Apriete el tornillo.

FIG. 8a

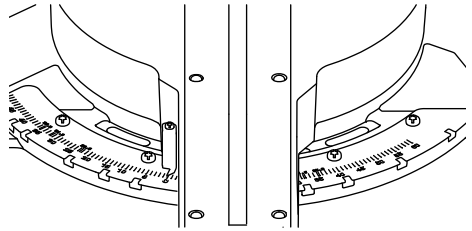


FIG. 8b

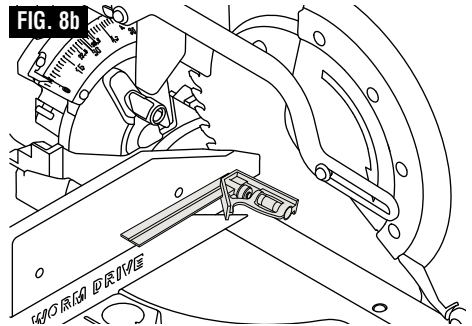
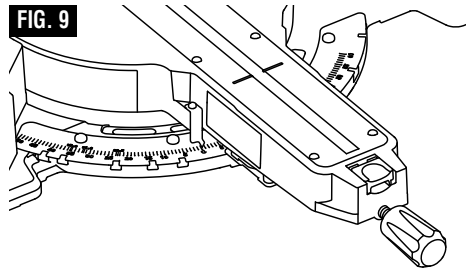


FIG. 9



AJUSTES

AJUSTE DE LA PROFUNDIDAD DE CORTE

⚠ ADVERTENCIA Para evitar posibles lesiones, desconecte el enchufe de la fuente de alimentación antes de realizar cualquier ensamblaje, ajuste o reparación.

Cuando se instale una hoja nueva, puede que sea necesario comprobar la holgura de la hoja con la estructura de la mesa giratoria. La placa de tope de profundidad es un dispositivo que se proporciona para permitir realizar cortes de profundidad completa (normales) o cortes no pasantes utilizados para cortar ranuras.

Ajuste de la profundidad de la hoja para cortes de profundidad completa normales

Quando haga cortes de profundidad completa normales, rote hacia la parte trasera el tope de profundidad de corte y el tope de preajuste para madera dimensionada (Fig. 10).

Ajuste de la profundidad de la hoja para cortes no pasantes para cortar ranuras

AVISO: Para obtener los mejores resultados, SKILSAW recomienda el uso de una sierra de mesa con un conjunto de hojas de mortajar opcional para cortar ranuras y hacer cortes no pasantes. En el caso de que este conjunto no esté disponible, el procedimiento que se describe a continuación es una alternativa conveniente.

1. Libere (jale hacia fuera) el pasador de fijación del ensamblaje del cabezal y deje que el cabezal de la sierra suba por completo.
2. Gire el tope de profundidad de corte hasta la parte delantera (Fig. 11a).
3. Agarre el mango principal y empuje hacia abajo el cabezal de la sierra mientras observa cómo el tornillo del tope de profundidad entra en contacto con la superficie superior de la placa de tope de profundidad (Fig. 11b).
4. Afloje la tuerca de mariposa, gire la cabeza del perno del tope de profundidad (mientras el extremo roscado está en contacto con la placa de tope) y observe cómo se mueve la parte inferior de la hoja de sierra. Este ajuste regula la profundidad de corte.

5. Apriete la tuerca de mariposa para fijar el perno de profundidad de corte en la posición correcta.

6. Consulte "Corte de ranuras" para obtener instrucciones adicionales.

FIG. 10

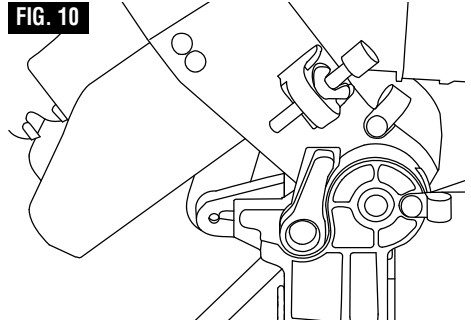


FIG. 11a

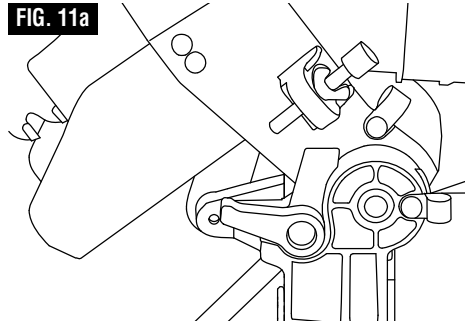
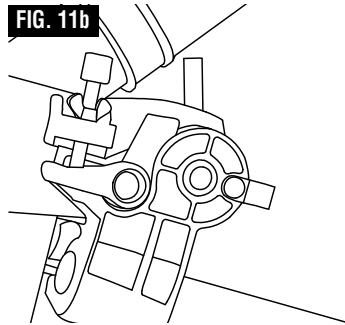


FIG. 11b



AJUSTES

Topo de preajuste para madera dimensionada

AVISO: Capacidad máxima a 45°

El topo de preajuste para madera dimensionada ajusta la profundidad de corte para material dimensionado de 4x a un bisel de 0° y para madera dimensionada de 2x a un bisel a la derecha de 45°.

Rote la lengüeta más delgada hacia la parte delantera (Fig. 12). Lo más fácil es mover ambos topes hacia delante y luego mover el topo de profundidad de corte más grande hacia atrás.

Extensiones de la mesa

La herramienta tiene mesas de extensión integradas a cada lado de la base para ofrecer soporte adicional de la pieza de trabajo. Las extensiones se fijan solamente en dos posiciones: cerrada y completamente abierta. Para cambiar la posición de las extensiones de la mesa, presione el botón de fijación de la extensión de la mesa y jale hacia fuera o empuje hacia dentro la mesa de extensión. Suelte el botón de fijación de la extensión de la mesa y la mesa de extensión se fijará automáticamente en la posición cerrada o en la posición completamente abierta (Fig. 13a, 13b).

⚠ ADVERTENCIA No use la sierra con una mesa de extensión en una posición que no esté bloqueada. Es posible que no se pueda soportar completamente la pieza de trabajo. Si la mesa de extensión no queda fija, haga que la sierra reciba servicio de ajustes y reparaciones.

Soporte de piezas de trabajo largas

⚠ ADVERTENCIA Las piezas de trabajo largas tienen tendencia a inclinarse a menos que estén sujetas con abrazaderas y soportadas adecuadamente desde debajo.

⚠ ADVERTENCIA No use a otra persona como sustituto de las mesas de extensión ni como soporte adicional. Un soporte inestable de la pieza de trabajo puede hacer que la hoja se atore o que la pieza de trabajo se desplace durante la operación de corte, haciendo que usted entre en contacto con la hoja que gira.

Las mesas de extensión proporcionan soporte adicional para la pieza de trabajo y son

especialmente útiles cuando se cortan piezas de trabajo largas.

SOPORTE ADICIONAL PARA LA PIEZA DE TRABAJO

BLOQUES

Las piezas largas necesitan soporte adicional. La altura de la base es de 3-1/2 pulgadas. Sujete juntas dos piezas de 2x4 (use el lado largo) o utilice un pedazo de material dimensionado de 4x. Se pueden utilizar tablas de este grosor y esta altura para crear extensiones de soporte auxiliares para piezas de trabajo largas.

FIG. 12

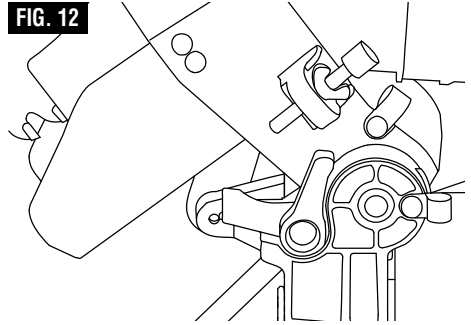


FIG. 13a

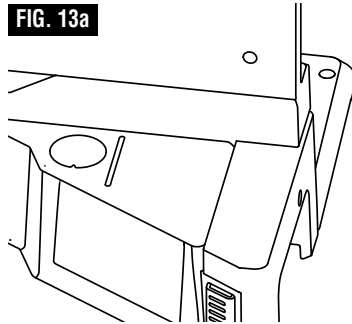
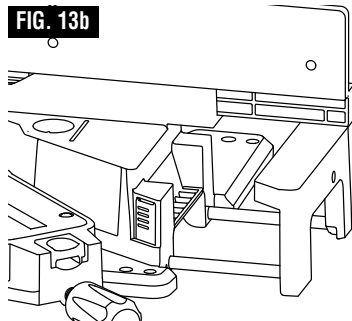


FIG. 13b



TRANSPORTE Y MONTAJE

Transporte

⚠ ADVERTENCIA Para evitar lesiones, siga todas las instrucciones identificadas a continuación por el símbolo del punto negro (•).

- **Desenchufe el cable eléctrico y enróllelo.**
- **No levante nunca la sierra agarrando alguna de las piezas del mecanismo.** Es posible que la sierra se mueva y le cause lesiones graves en los dedos o las manos.
- **Para evitar lesiones en la espalda, usted deberá sostener la herramienta cerca del cuerpo cuando la levante.** Doble las rodillas para poder levantar con las piernas y no con la espalda.
- **No levante nunca la herramienta**

agarrando el mango con interruptor. Es posible que esto cause daños graves a la herramienta.

- **No levante nunca la sierra ingletadora por el cable de alimentación.** Si intenta levantar o transportar la herramienta por el cable de alimentación, se dañarán el aislamiento y las conexiones de los cables, lo cual provocará descargas eléctricas o incendio.
- **Coloque la sierra sobre una superficie firme y nivelada, donde haya espacio más que suficiente para manejar y soportar adecuadamente la pieza de trabajo.**

Levante esta sierra SOLAMENTE por los mangos de transporte definidos en este manual

⚠ ADVERTENCIA Para evitar posibles lesiones, desconecte el enchufe de la fuente de alimentación antes de realizar cualquier ensamblaje, ajuste o reparación.

Pasador de fijación del ensamblaje del cabezal

El pasador de fijación del ensamblaje del cabezal (Fig. 14) se utiliza para sujetar el ensamblaje del cabezal de la sierra en la posición hacia ABAJO. Esta posición impide que el cabezal se mueva hacia arriba y hacia abajo durante el transporte y hace que la sierra sea más compacta para levantarla y almacenarla. Esta posición se requiere también para algunos procedimientos de calibración.

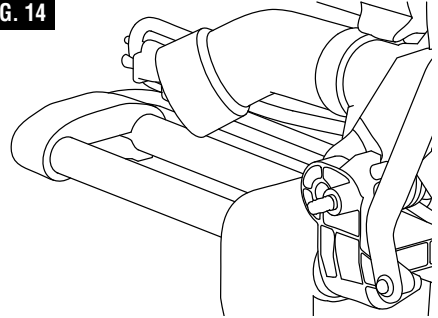
Para acoplar el pasador de fijación del ensamblaje del cabezal:

1. Compruebe si el tope de profundidad de corte y el tope de preajuste para madera

dimensionada están desacoplados.

2. Agarre el mango principal y presione hacia abajo sobre el ensamblaje del cabezal.

FIG. 14



3. Mientras presiona hacia abajo sobre el cabezal de la sierra, empuje hacia dentro el pasador de fijación del ensamblaje del cabezal. Libere el ensamblaje del cabezal. El cabezal quedará fijo en la posición hacia ABAJO.

To Disengage the Head-Assembly Lock Para desacoplar el pasador de fijación del ensamblaje del cabezal:

1. Agarre el mango principal y presione hacia abajo sobre el ensamblaje del cabezal.
2. Mientras presiona hacia abajo el cabezal, jale hacia fuera el pasador de fijación del ensamblaje del cabezal. Libere el pasador de fijación del ensamblaje del cabezal,

pero mantenga agarrado el mango principal. Deje que el cabezal de la sierra accionado por resorte suba lentamente hasta la parte de arriba de su recorrido y luego suelte el mango.

TRANSPORTE Y MONTAJE

Preparación para levantar la sierra

1. Ajuste el ángulo de bisel a 0° y fíjelo en esa posición utilizando la perilla de fijación de bisel.
2. Fije las dos mesas de extensión laterales en la posición hacia dentro.
3. Rote la mesa ya sea 60° a la derecha o 50° a la izquierda, y fíjela en la posición deseada con la perilla de fijación de inglete.
4. Fije el sistema de rieles deslizantes.
5. Fije el cabezal de la sierra en la posición hacia ABAJO con el pasador de fijación del ensamblaje del cabezal.

Levante la sierra por el mango de transporte superior

Agarre la sierra por el mango de transporte superior (Fig. 15b).

Levante la sierra y transpórtela cómodamente.

Levante la sierra por los mangos de transporte laterales

Utilice una buena postura erguida y agarre las dos áreas del mango debajo de las mesas de extensión (Fig. 15c).

FIG. 15a

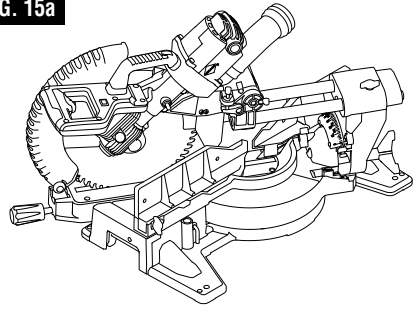


FIG. 15b

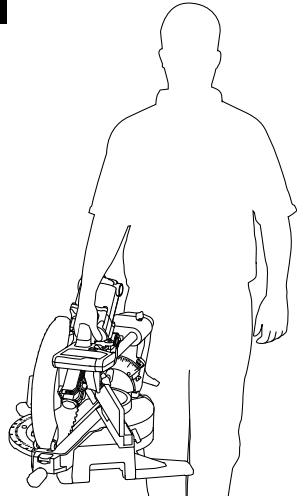
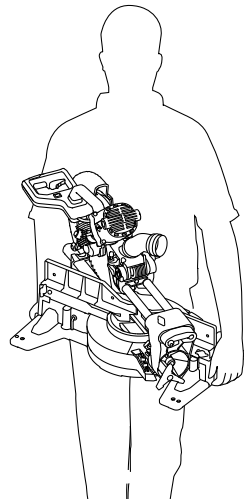


FIG. 15c



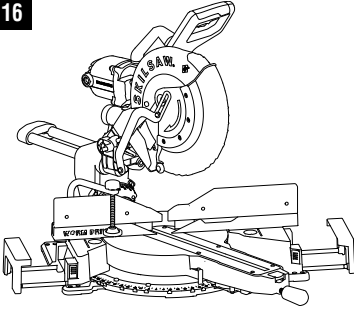
TRANSPORTE Y MONTAJE

Montaje de la sierra

Montaje en un banco de trabajo

Utilice los cuatro (4) agujeros para perno (de 5/16 de pulgada) para montar la sierra en el banco de trabajo. Compruebe que haya holgura a la izquierda y a la derecha de la sierra (Figura 16).

FIG. 16



1. Cada uno de los cuatro (4) agujeros de montaje deberá empernarse firmemente usando pernos de 5/16 de pulgada, arandelas de seguridad, arandelas planas y tuercas hexagonales (no se incluyen).
2. Ubique y marque los agujeros para perno donde se vaya a montar la sierra.
3. Taladre cuatro (4) agujeros de 7/16 de pulgada de diámetro a través del banco de trabajo.
4. Coloque la sierra ingletadora sobre el banco de trabajo, alineando los agujeros de la base con los agujeros taladrados en el banco de trabajo. Instale cuatro de cada uno de los elementos siguientes: tornillos, arandelas de seguridad, arandelas planas y tuercas hexagonales.

Montaje en una superficie de madera

Use los cuatro agujeros más pequeños para montar la sierra en cualquier superficie de madera (Fig. 17). Utilice tornillos de cabeza plana para madera núm. X de al menos X de longitud. Apriete los tornillos a través de los cuatro agujeros, hacia el interior de la superficie de madera, hasta que las cabezas de los tornillos se acoplen por completo en los agujeros de montaje y fijen completamente la sierra.

La superficie de soporte en la que se monte la sierra se deberá examinar cuidadosamente después de realizar el montaje, para asegurarse de que no pueda ocurrir ningún movimiento de la sierra durante el uso. Si se observa cualquier inclinación o desviación, fije el banco de trabajo o la base de soporte antes de utilizar la sierra para cortar ingletes compuestos.

Montaje temporal, utilización de abrazaderas

- Si es necesario, fije con abrazaderas la sierra ingletadora a un banco de trabajo o un tablero de mesa.
- Coloque dos (2) o más abrazaderas en "C" 2 en las áreas de fijación y sujételas firmemente (Fig. 18).

AVISO: Asegúrese siempre de dejar suficiente espacio en el área de trabajo para acomodar piezas de trabajo largas.

FIG. 17

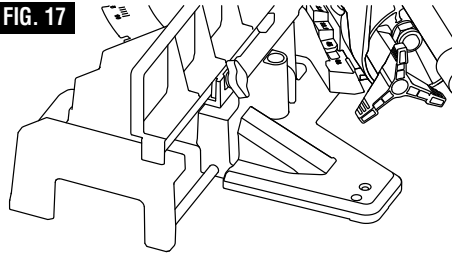
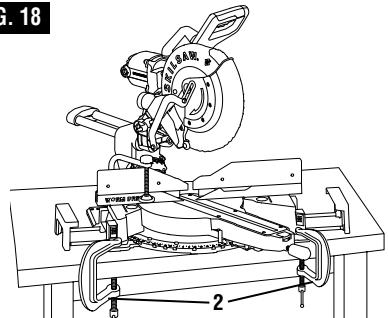


FIG. 18

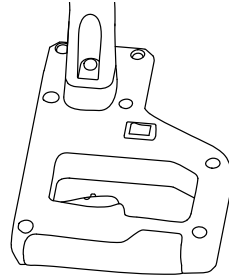


OPERACIONES DE LA SIERRA

Interruptor

El interruptor tiene una lengüeta secundaria de FIJACIÓN EN APAGADO que se debe rotar hacia la izquierda para poder presionar el interruptor de alimentación principal. Agarre el interruptor principal con los dedos y deslice la lengüeta hacia la izquierda. Luego, jale el interruptor principal para activar la sierra. Suelte el interruptor para detener la sierra (Fig. 19).

FIG. 19



Body and Hand Positions

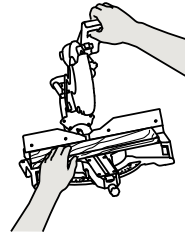
⚠ ADVERTENCIA Posicione el cuerpo y las manos de manera adecuada para hacer que las operaciones de corte sean más fáciles y seguras. Siga las siguientes instrucciones.

⚠ ADVERTENCIA No ponga nunca las manos cerca del área de corte. Mantenga las manos fuera de la “Zona de Manos No”. La “Zona de Manos No” se define como el área entre las líneas marcadas en el lado izquierdo y en el lado derecho de la base, incluyendo toda la mesa y la parte del tope-guía que está dentro de estas líneas marcadas. Esta zona está rotulada con los símbolos “Manos No” colocados justo dentro de las líneas marcadas en la base.

- Sujete la pieza firmemente al tope-guía para evitar que se mueva.
- Mantenga las manos en la posición adecuada hasta que se haya soltado el gatillo y la hoja se haya detenido por completo.
- Apoye los pies firmemente en el piso y mantenga un equilibrio adecuado.
- Siga el brazo de inglete al ingletear a la izquierda o a la derecha. Sitúese ligeramente a un lado de la hoja de sierra.
- Mire a través del protector inferior si está siguiendo una línea de lápiz.
- Antes de hacer cualquier corte, con la herramienta apagada, baje la hoja para ver con antelación la trayectoria de la misma.

FIG. 20a

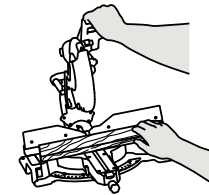
Uso correcto



Uso incorrecto



Uso correcto



Uso incorrecto



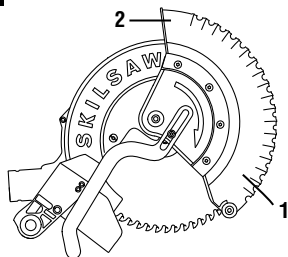
OPERACIONES DE LA SIERRA

⚠ ADVERTENCIA Puede que el protector inferior no se abra automáticamente en ciertas **condiciones de corte**. Si esto sucede:

Generalmente, puede que esto suceda al intentar cortar piezas de trabajo que estén cerca de la capacidad de altura de corte máxima. En estas condiciones, la pieza de trabajo puede detener el movimiento del protector inferior antes de que el movimiento hacia abajo del brazo pueda preabrir dicho protector. Si esto sucede:

- La pieza de trabajo debe sujetarse firmemente con abrazaderas. Esto deja libre la mano izquierda para subir el protector **1** por el borde **2** justo lo suficiente para que no toque la pieza de trabajo (Fig. 20b).

FIG. 20b



- Arranque la sierra y comience el corte.
- Una vez que haya rebasado la posición

donde es posible que el protector inferior se atore, libere el protector y éste continuará subiéndose automáticamente a medida que usted corte.

PASADA DE PRUEBA: Es importante saber dónde se van a intersectar la hoja y la pieza de trabajo durante las operaciones de corte. Realice siempre la secuencia simulada de corte con la herramienta eléctrica APAGADA, para entender la trayectoria proyectada de la hoja de sierra. Tenga en cuenta mentalmente dónde

caerá la trayectoria de la hoja de sierra y ajuste la pieza de trabajo manteniendo las manos y los brazos fuera de la trayectoria de la hoja que gira. Ajuste las abrazaderas y los topes-guía de manera que no interfieran con el buen funcionamiento del protector inferior ni con la acción de corte durante la operación de corte.

Asegúrese siempre de que el protector inferior esté en condiciones completamente funcionales. Con la herramienta desconectada de la fuente de alimentación, suba por completo el protector inferior y suéltelo. El protector inferior se debería cerrar por completo de inmediato. Si el protector no se cierra por completo o titubea, deje de usar la herramienta y haga que esta reciba servicio de ajustes y reparaciones.

Luz LED con sombra

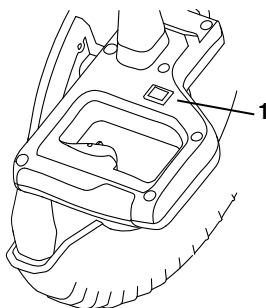
AVISO: La sierra ingletadora debe estar conectada a una fuente de alimentación para que el sistema de luz con sombra funcione.

El sistema de luz LED con sombra está equipado con un interruptor de ENCENDIDO y APAGADO (Fig. 21). El sistema de luz con sombra es independiente del interruptor gatillo de la sierra ingletadora. No es necesario que la luz con sombra esté encendida para utilizar la sierra.

Para cortar a través de una línea de lápiz existente en un pedazo de madera, encienda el sistema de luz con sombra y luego jale hacia abajo el mango de utilización para acercar la hoja de sierra a la madera. La sombra de la hoja aparecerá sobre la madera. Esta línea de sombra representa el material que la hoja

retirá cuando realice un corte. Para localizar correctamente el corte respecto a la línea de lápiz, alinee dicha línea con el borde de la sombra de la hoja. Tenga presente que es posible que tenga que ajustar los ángulos de inglete o de bisel para emparejar exactamente la línea de lápiz.

FIG. 21



OPERACIONES DE LA SIERRA

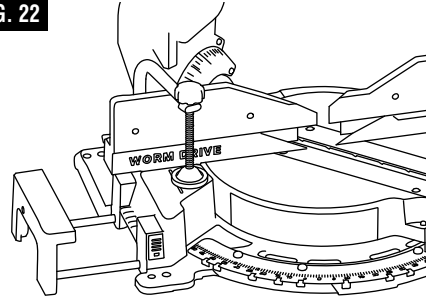
Instalación de la abrazadera para la pieza de trabajo

⚠ ADVERTENCIA En algunas operaciones es posible que el ensamblaje de la abrazadera para la pieza de trabajo interfiera con el funcionamiento del ensamblaje del protector de la hoja. Asegúrese siempre de que no haya interferencia con el protector de la hoja antes de comenzar cualquier operación de corte, para reducir el riesgo de lesiones corporales graves.

La abrazadera para la pieza de trabajo ofrece mayor control al sujetar la pieza de trabajo a la mesa de la sierra ingletadora. También ayuda a impedir que la pieza de trabajo se desplace lentamente hacia la hoja de sierra. Esto es útil cuando se corten ingletes compuestos. Dependiendo de la

operación de corte y el tamaño de la pieza de trabajo, puede que sea necesario utilizar una abrazadera en C en lugar de la abrazadera para la pieza de trabajo con el fin de sujetar firmemente dicha pieza antes de realizar el corte. La abrazadera para la pieza de trabajo se puede instalar y utilizar en cualquiera de los dos lados de la hoja.

FIG. 22



Para instalar la abrazadera para la pieza de trabajo:

1. Coloque el vástago de la abrazadera para la pieza de trabajo en uno de los agujeros ubicados detrás del tope-guía deslizante.

2. Rote la perilla ubicada en la abrazadera para la pieza de trabajo con el fin de moverla hacia arriba o hacia abajo según sea necesario.

Corte deslizante

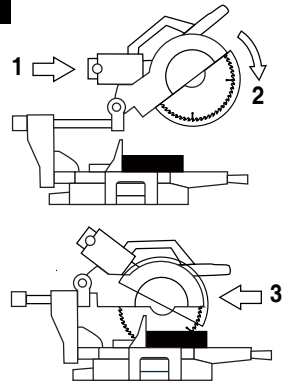
⚠ ADVERTENCIA No jale NUNCA la sierra hacia usted durante un corte. La hoja puede trepar repentinamente por la pieza de trabajo y causar RETROCESO.

1. Posicione adecuadamente la pieza de trabajo. Asegúrese de que dicha pieza esté firmemente sujeta con la abrazadera contra la mesa y el tope-guía. Use una posición de fijación con la abrazadera que no interfiera con el funcionamiento de la sierra. Antes de encender la herramienta, baje el ensamblaje del cabezal para asegurarse de que la abrazadera no toque el protector ni el ensamblaje del cabezal.
2. Afloje la perilla de fijación de los rieles deslizantes.

las manos por lo menos a seis (6) pulgadas de distancia de la trayectoria proyectada de la hoja de sierra.

3. Agarre el mango con interruptor y jale el ensamblaje del cabezal alejándolo del tope-guía hasta que la hoja rebasa la pieza de trabajo sin tocarla, o hasta su máxima extensión si la hoja no puede rebasar la pieza de trabajo sin tocarla (Fig. 23).

FIG. 23



⚠ ADVERTENCIA Tenga en cuenta la trayectoria de la hoja de sierra. Haga una pasada de prueba con la sierra Apagada, realizando un ciclo de corte simulado, y observe la trayectoria proyectada de la hoja de sierra. Mantenga

OPERACIONES DE LA SIERRA

4. Active el interruptor. Baje el ensamblaje del cabezal completamente hacia abajo y corte a través del borde de la pieza de trabajo
5. Empuje (pero no fuerce) el ensamblaje del cabezal hacia el tope-guía hasta la

posición completamente hacia atrás para completar el corte.

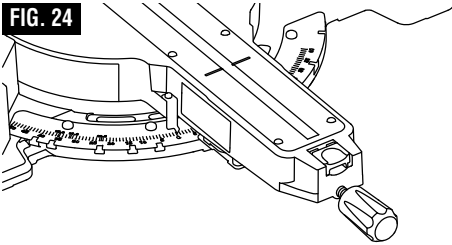
6. Espere hasta que la hoja se detenga por completo antes de devolver el ensamblaje del cabezal a la posición elevada y/o retirar la pieza de trabajo

SISTEMA DE INGLETES

Utilización de los retenes de inglete

1. Afloje la perilla de fijación de inglete aproximadamente 1/2 vuelta (Fig. 24).

FIG. 24



2. Agarre la perilla de fijación de inglete y luego use el pulgar para empujar hacia abajo el botón de retenes de inglete: empuje hacia abajo el botón de retenes de inglete hasta que la mesa esté libre de la

placa de la escala de ingletes.

3. Cuando agarre la perilla de fijación de inglete y el botón de retenes de inglete, rote la mesa de la sierra. Detenga la rotación de la mesa en el ángulo deseado, tal y como lo señale el indicador de la escala de ingletes.
4. Suelte el botón de retenes de inglete en un retén de la escala de ingletes o en un ángulo entre retenes. Si está cerca de un retén de inglete, utilice la función de sobrecontrol de retenes de inglete.
5. Apriete la perilla de fijación de inglete antes de cortar.

AVISO: Se recomienda apretar la perilla de fijación de inglete antes de todos los cortes. Apriete siempre la perilla de fijación de inglete antes de cortar en cualquier ángulo entre retenes o cuando el sistema de sobrecontrol de retenes de inglete esté en uso.

Sobrecontrol de retenes de inglete

La función de sobrecontrol de retenes de inglete permite bloquear la acción de los retenes de inglete para permitir realizar microajustes en cualquier ángulo de inglete. Cuando el ángulo de inglete deseado esté demasiado cerca de un ángulo de inglete estándar que tenga una ranura de retén, esta función impide que la cuña ubicada en la palanca de retenes de inglete se deslice al interior de la ranura de retén ubicada en la placa de retenes de inglete.

1. Empuje hacia abajo el botón de retenes de inglete y luego empújelo hacia delante.
2. Sin dejar que el botón de retenes de inglete se mueva hacia atrás, deje que dicho botón suba hasta que sea capturado por la mesa.
3. Rote la mesa hasta cualquier posición en la escala de ingletes.
4. Bloquee la perilla de fijación de inglete para retener la posición de inglete.

Corte a inglete

- Un corte a inglete se hace a un bisel de 0° y cualquier ángulo de inglete en el intervalo de 50° a la izquierda a 60° a la derecha.
- Se han provisto retenes positivos para ingletar de manera rápida y precisa a 0°, 15°, 22,5° y 45° a la izquierda y a la derecha, 50° a la izquierda y 60° a la derecha.

- También hay un retén de moldura de corona a 31,6° (consulte "Corte de moldura de corona" para obtener más información).
- Para lograr el máximo soporte, el tope-guía deslizante debe estar siempre tan cerca de la hoja como sea posible sin interferir con el ensamblaje del cabezal (consulte AJUSTE, Tope-guía deslizante, si es necesario).

OPERACIONES DE LA SIERRA

1. Afloje la perilla de fijación de inglete **1**. Presione hacia abajo sobre la palanca de retenes de fijación de inglete y mueva la sierra hasta el ángulo deseado, utilizando ya sea los retenes o la escala de ingletes **2**. Apriete la perilla de fijación de inglete.
2. Extienda la extensión de la mesa en el lado de la mesa donde se necesite soporte con las manos para soportar adecuadamente la pieza de trabajo. (Consulte Extensión de la mesa).
3. Posicione adecuadamente la pieza de trabajo **3**. Asegúrese de que la pieza de trabajo esté firmemente sujeta con la abrazadera **4** contra la mesa y el tope-guía.

⚠ ADVERTENCIA Utilice una posición de fijación con la abrazadera que no interfiera con el funcionamiento de la sierra. Antes de encender la sierra, baje el ensamblaje del cabezal para asegurarse de que la abrazadera no toque el protector ni el ensamblaje del cabezal.

4. Active el interruptor. Baje el ensamblaje del cabezal y haga el corte.
5. Espere hasta que la hoja se detenga por completo antes de devolver el ensamblaje del cabezal a la posición elevada y/o retirar la pieza de trabajo.

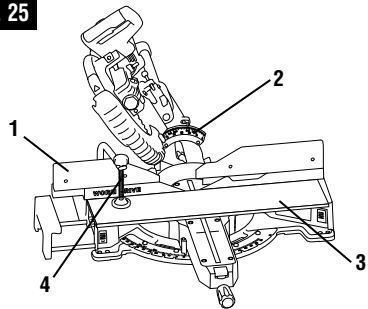
Corte en bisel

- Un corte en bisel se hace a un inglete de 0° y cualquier ángulo de bisel en el intervalo de 0° a 48° .
- Hay topes de bisel ajustados en la fábrica a 0° , $22,5^\circ$, 45° y 48° . (Consulte la sección Ajuste si se requieren ajustes).
- Para lograr el máximo soporte, el tope-guía deslizante debe estar siempre tan cerca de la hoja como sea posible sin interferir con el ensamblaje del cabezal. (Consulte AJUSTE, Tope-guía deslizante, si es necesario).
- La escala de biseles está orientada hacia el operador para facilitar su lectura.
- Utilice la extensión de la mesa según sea adecuado. (Consulte Extensión de la mesa).

⚠ ADVERTENCIA Cuando corte en bisel, recuerde "bloquear" el cabezal de corte en cada posición antes de seguir adelante, para que el cabezal no cambie de posición inesperadamente durante el uso.

1. Mueva el tope-guía deslizante **1** hasta la posición apropiada (consulte AJUSTE, Tope-guía deslizante).
2. Extienda la extensión de la mesa en el lado de la mesa donde se necesite soporte con las manos para soportar adecuadamente la pieza de trabajo. (Consulte Extensión de la mesa).
3. Afloje la perilla de fijación de bisel. Cuando corte en bisel hacia el lado derecho, se debe girar la perilla de liberación de bisel de la derecha para liberar el tope de 0° . Inclíne el ensamblaje del cabezal hasta el ángulo de bisel deseado **2**. Apriete la perilla de fijación de bisel (Fig. 25).

FIG. 25



4. Posicione adecuadamente la pieza de trabajo **3**. Asegúrese de que la pieza de trabajo esté firmemente sujeta con la abrazadera **4** contra la mesa y el tope-guía

⚠ ADVERTENCIA Utilice una posición de fijación con la abrazadera que no interfiera con el funcionamiento de la sierra.

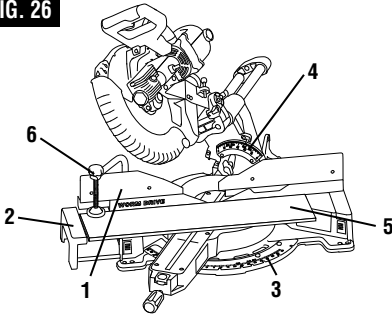
1. Antes de encender la herramienta, baje el ensamblaje del cabezal de la sierra y asegúrese de que la abrazadera no toque el protector ni el ensamblaje del cabezal.
2. Active el interruptor. Baje el ensamblaje del cabezal y haga el corte.
3. Espere hasta que la hoja se detenga por completo antes de devolver el ensamblaje del cabezal a la posición elevada y/o retirar la pieza de trabajo.

OPERACIONES DE LA SIERRA

Cortes compuestos

- Un corte compuesto es un corte que requiere tanto un ajuste de inglete como un ajuste de bisel.
 - Como puede que se necesiten varios intentos para obtener el ángulo compuesto deseado, realice cortes de prueba en material de desecho antes de hacer el corte.
1. Mueva el tope-guía deslizante hasta la posición adecuada **1** (consulte AJUSTE, Tope-guía deslizante). Es posible que sea necesario retirar por completo uno de los topes-guía deslizantes para realizar un corte con ángulos extremos.
 2. Extienda la extensión de la mesa **2** en el lado de la mesa donde se necesite soporte con las manos para soportar adecuadamente la pieza de trabajo. (Consulte Extensión de la mesa).
 3. Seleccione los ángulos deseados de inglete **3** y bisel **4** (Fig. 26). (Consulte Corte a inglete y Corte en bisel).

FIG. 26





4. Posicione adecuadamente la pieza de trabajo **5**. Asegúrese de que la pieza de trabajo esté firmemente sujeta con la abrazadera **6** contra la mesa y el tope-guía.
5. Asegúrese de que todos los controles estén bloqueados antes de realizar el corte.

- ⚠ ADVERTENCIA** Use una posición de fijación con la abrazadera que no interfiera con el funcionamiento de la sierra. Antes de encender la sierra, baje el ensamblaje del cabezal de la sierra para asegurarse de que la abrazadera no toque el protector ni el ensamblaje del cabezal.
6. Active el interruptor. Baje el ensamblaje del cabezal y haga el corte.
 7. Espere hasta que la hoja se detenga por completo antes de devolver el ensamblaje del cabezal a la posición elevada y/o retirar la pieza de trabajo.

OPERACIONES DE LA SIERRA

Corte de moldura de base

- La moldura de base se puede cortar verticalmente contra el tope-guía o plana sobre la mesa.
- Siga la siguiente tabla para obtener consejos útiles sobre el corte de moldura de base.

INSTRUCCIONES PARA EL CORTE DE MOLDURA DE BASE						
POSICIONES / INSTRUCCIONES		Posición vertical La parte posterior de la moldura está contra el tope-guía		Posición horizontal La parte posterior de la moldura está horizontal sobre la mesa		
Aditamento del tope-guía para cortar ingletes		Posición a extrema derecha		Mover a la posición apropiada		
Angulo de bisel		0°		45°		
Posición de la moldura		Lado izquierdo	Lado derecho*	Lado izquierdo	Lado derecho*	
	Esquina interior de la pared	Angulo de inglete	Izquierda a 45°	Derecha a 45°	0°	0°
	Posición de la moldura	Lado acabado	Parte inferior contra la mesa	Parte inferior contra la mesa	Parte superior contra el tope-guía	Parte inferior contra el tope-guía
	Lado acabado	Lado acabado	Conservar el lado izquierdo del corte	Conservar el lado derecho del corte	Conservar el lado izquierdo del corte	Conservar el lado derecho del corte
	Esquina exterior de la pared	Angulo de inglete	Derecha a 45°	Izquierda a 45°	0°	0°
	Posición de la moldura	Lado acabado	Parte inferior contra la mesa	Parte inferior contra la mesa	Parte inferior contra el tope-guía	Parte superior contra el tope-guía
	Lado acabado	Lado acabado	Conservar el lado izquierdo del corte	Conservar el lado derecho del corte	Conservar el lado derecho del corte	Conservar el lado derecho del corte

⚠ ADVERTENCIA Compruebe si hay interferencia entre la pieza de trabajo y los componentes del cabezal de la sierra, realizando un corte de prueba. La interferencia puede impedir un funcionamiento correcto de la sierra y causar lesiones y/o daños a la herramienta.

- Si el cabezal de la sierra interfiere con la pieza de trabajo mientras se corta en el lado derecho, se recomienda voltear la pieza de trabajo y cortarla en el lado izquierdo.

OPERACIONES DE LA SIERRA

Corte de moldura de corona

- La moldura de corona se debe cortar con exactitud para que encaje adecuadamente.
- La sierra ingletadora tiene retenes de inglete especiales a $31,6^\circ$ a la izquierda y a la derecha, y un indicador de bisel a $33,9^\circ$ para cortar moldura de corona en posición plana sobre la mesa.
- Estos ángulos de retén especiales han sido diseñados en la sierra para cortar ingletes compuestos para la moldura de corona estándar que se utiliza en los Estados Unidos con los siguientes ángulos:

- 52° entre la parte traseras de la moldura y la superficie superior plana que encaja contra el techo.

- 38° entre la parte trasera de la moldura y la superficie inferior plana que encaja contra la pared.

NOTICE: Estos retenes no se pueden usar con moldura de corona de 45° .

- Aunque estos ángulos son estándar, la mayoría de los cuartos no tienen ángulos exactamente de 90° . Por lo tanto, usted tendrá que refinar sus ajustes utilizando las escalas de ingletes y de biseles..

Siga estas instrucciones para cortar moldura de corona en posición plana sobre la mesa:

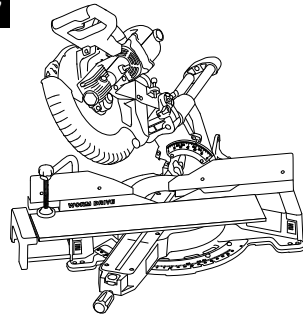
1. Mueva el tope-guía deslizante hasta la posición adecuada (consulte AJUSTE, Tope-guía deslizante).
2. Ajuste los ángulos de bisel y de inglete utilizando el Gráfico 1 que aparece a continuación. Apriete la perilla de fijación de inglete y la perilla de fijación de bisel (Fig. 27).
3. Posicione la moldura sobre la mesa de la sierra. Utilice el gráfico que aparece a continuación para determinar la posición correcta. Fije la pieza de trabajo en la posición correcta con la abrazadera vertical.

ADVERTENCIA Utilice una posición de fijación con la abrazadera que no interfiera con el funcionamiento de la sierra. Antes de encender la sierra, baje el ensamblaje del cabezal para asegurarse de que la abrazadera no toque el protector ni el ensamblaje del cabezal.

4. Active el interruptor. Baje el ensamblaje del cabezal y haga el corte.
5. Espere hasta que la hoja se detenga por completo antes de devolver el ensamblaje del cabezal a la posición elevada y/o retirar la pieza de trabajo.

AVISO: Haga siempre un corte de prueba utilizando material de desecho para confirmar que los ángulos son correctos.

FIG. 27



OPERACIONES DE LA SIERRA

Moldura de corona angulada con la mesa y el tope-guía (anidada)

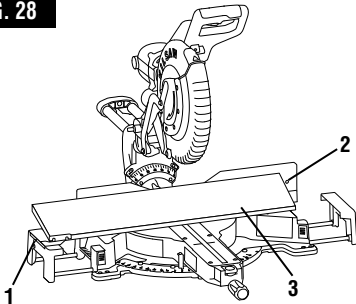
La ventaja de cortar moldura angulada contra el tope-guía es que no se requiere ajuste de bisel; solamente se ajusta el ángulo de inglete.

La anchura máxima de moldura de corona de $38^{\circ}/52^{\circ}$ que se puede cortar y angular respecto a la mesa y el tope-guía es 6-3/4 pulgadas.

Cuando corte moldura de corona de esta manera, se recomienda usar los topes de corona a la derecha y a la izquierda.

1. Acople los topes de corona a los lados de la base utilizando las perillas de tope de corona **1**.
2. Posicione la moldura de manera que la parte inferior (la parte decorativa que se instala contra la pared) esté contra el tope-guía **2** (Fig. 28).

FIG. 28



3. Ajuste la posición de los topes de corona de manera que soporten el lado de la moldura de corona que toca la mesa y fije completamente la corona **3**.
4. Para una esquina de 90° , use el gráfico que aparece a continuación para ajustar el ángulo de inglete. Apriete la perilla de fijación de inglete.
5. Soporte la moldura de corona contra el tope-guía (consulte Posición del cuerpo y de las manos).

⚠ ADVERTENCIA Tenga en cuenta la trayectoria de la hoja de sierra. Haga una pasada de prueba con la sierra APAGADA, realizando un ciclo de corte simulado, y observe la trayectoria proyectada de la hoja de sierra. Mantenga las manos alejadas por lo menos a seis (6) pulgadas

de distancia de la trayectoria proyectada de la hoja de sierra.

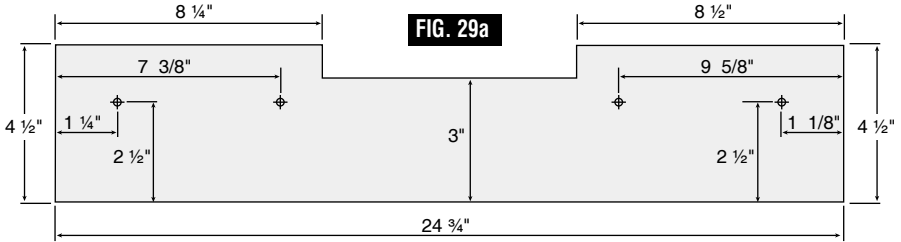
6. Siga los procedimientos para realizar cortes a inglete.
7. Espere hasta que la hoja se detenga por completo antes de devolver el ensamblaje del cabezal a la posición elevada y/o retirar la pieza de trabajo.

AVISO: Haga siempre un corte de prueba utilizando material de desecho para confirmar los ángulos correctos.

OPERACIONES DE LA SIERRA

Tope-guía auxiliar

Elaboración de un tope-guía auxiliar



Ciertos tipos de molduras necesitan una extensión frontal del tope-guía debido al tamaño y la posición de la pieza de trabajo.

El tope-guía cuenta con agujeros para instalar un tope-guía auxiliar. El tope-guía auxiliar se utiliza con la sierra en la posición de bisel de 0° solamente.

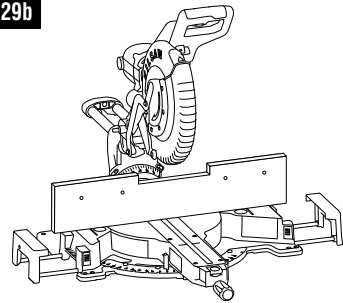
1. Utilice un pedazo de madera de 3/4 de pulgada de grosor (se prefiere madera contrachapada) para cortar un tope-guía auxiliar basándose en las dimensiones que se muestran en la Fig. 29a.

2. Coloque el tope-guía auxiliar contra el tope-guía de la sierra ingletadora (Fig. 29b). Asegúrese de que el tope-guía auxiliar no interfiera con el ensamblaje del cabezal. Compruebe si hay interferencia entre el tope-guía auxiliar y el protector inferior de la hoja. Realice ajustes según sea necesario.

⚠ ADVERTENCIA Compruebe si hay interferencia entre el tope-guía auxiliar y los componentes del cabezal de la sierra realizando una pasada de prueba. La interferencia con el tope-guía puede impedir el funcionamiento correcto de la sierra y causar lesiones y/o daños a la herramienta.

3. Marque las ubicaciones de los agujeros de soporte en la madera desde el lado trasero del tope-guía (Fig. 29a).

FIG. 29b



4. Taladre y avellane los agujeros en la parte delantera del tope-guía auxiliar.

Sujeción desde la parte delantera del tope-guía:

1. Instale el tope-guía auxiliar utilizando cuatro (4) pernos para metal de cabeza plana de 3/16 de pulgada x 1-1/2 pulgadas de longitud. Fije los pernos detrás del tope-guía metálico con arandelas y tuercas para metal núm. 5.

⚠ ADVERTENCIA Tenga en cuenta la trayectoria de la hoja de sierra. Haga una pasada de prueba con la sierra APAGADA, realizando un ciclo de corte simulado, y observe la trayectoria proyectada de la hoja de sierra. Mantenga las manos alejadas por lo menos a seis (6) pulgadas de distancia de la trayectoria proyectada de la hoja de sierra.

2. Haga un corte de profundidad completa para crear la ranura para la hoja.

Sujeción desde la parte trasera del tope-guía:

OPERACIONES DE LA SIERRA

Utilice un tope-guía auxiliar de 3/4 de pulgada de grosor como mínimo y tornillos de cabeza redonda para madera de 1/4 de pulgada (de 1/2 pulgada de longitud).

1. Taladre cuatro agujeros piloto a través del tope-guía auxiliar y pase los tornillos desde la parte trasera del tope-guía metálico.

⚠ ADVERTENCIA Tenga en cuenta la trayectoria de la

hoja de sierra. Haga una pasada de prueba con la sierra APAGADA, realizando un ciclo de corte simulado, y observe la trayectoria proyectada de la hoja de sierra. Mantenga las manos alejadas por lo menos a seis (6) pulgadas de distancia de la trayectoria proyectada de la hoja de sierra.

2. Haga un corte de profundidad completa para crear la ranura para la hoja.

Corte de ranuras

CORTE BASTO DE UNA MORTAJA

Utilizando un cincel para madera y la guía de profundidad, es posible hacer un corte de mortaja basto. Las marcas de la guía de profundidad se deben usar solamente como referencia. Haga siempre un corte de práctica en madera de desecho.

Para utilizar la guía de profundidad:

1. Desenchufe la sierra.
2. Rote hacia fuera el tope de profundidad de corte.

Con el perno de profundidad de corte tocando el tope de profundidad, gire dicho perno hasta que se obtenga la profundidad de corte deseada. Apriete la tuerca de mariposa de profundidad de corte para fijar el perno de profundidad de corte. Consulte Ajuste de la profundidad de la hoja para cortes no pasantes para cortar ranuras.

3. Se debe colocar un espaciador de madera entre la pieza de trabajo y el tope-guía para lograr una longitud de corte uniforme en la pieza de trabajo. Utilice la abrazadera para la pieza de trabajo para fijar el espaciador y otra abrazadera adecuada para fijar la pieza de trabajo. Haga el corte deslizante con la profundidad deseada.
4. Rote el tope de profundidad de corte hacia dentro para realizar cortes pasantes normales.

AVISO: El tope de profundidad de corte se debe rotar antes de bloquear/desbloquear el brazo de la sierra.

Para hacer el corte:

1. Desbloquee la perilla de fijación del deslizamiento.

2. Suba el brazo de la sierra hasta su altura máxima.

3. Con la sierra apagada, jale el brazo de la sierra hacia delante. ENCIENDA la sierra, deje que la hoja alcance su velocidad máxima, empuje la hoja hacia abajo sobre la pieza de trabajo y luego de vuelta hacia la parte trasera de la sierra para realizar un corte.

4. Corte dos ranuras exteriores en la pieza de trabajo.

5. Utilice un cincel para madera para retirar el material entre las dos ranuras exteriores.

OPERACIONES DE LA SIERRA

Cortes especiales

Los cortes de material arqueado y de material redondo son solamente dos ejemplos de cortes especiales.

Corte de material arqueado

⚠ ADVERTENCIA Si la pieza de trabajo 1 está arqueada o combada, fíjela con una abrazadera 2 con la cara exterior arqueada orientada hacia el tope-guía 3. Asegúrese siempre de que no haya holguras entre la pieza de trabajo, el tope-guía y la mesa a lo largo de la línea de corte 4. Las piezas de trabajo dobladas o combadas pueden torcerse u oscilar y es posible que causen atoramiento en la hoja de sierra que gira durante el corte (Fig. 30).

Corte de material redondo o que tenga forma irregular

⚠ ADVERTENCIA Para material redondo 5, tal como varillas con espiga o tubos, utilice siempre una abrazadera 6 o un dispositivo de sujeción diseñado para sujetar la pieza de trabajo firmemente contra el tope-guía 7 y la mesa. Las varillas tienen tendencia a rodar mientras son cortadas, haciendo que la hoja “se clave” y jale la pieza de trabajo con la mano del operador hacia la hoja (Fig. 31).

Recolección de polvo

El conducto para polvo fijo es compatible tanto con el codo para polvo incluido como con extremos de manguera de 35 mm de diámetro estándar. El codo para polvo encaja directamente alrededor del conducto para polvo fijo y es compatible con mangueras de 2 ½ pulgadas de diámetro estándar. Para aspiradoras con diferentes diámetros se debe usar un adaptador (no incluido).

Para recoger el polvo al cortar sin tener una aspiradora conectada a la herramienta, se puede rotar el codo para polvo con el fin de que dirija el polvo en el sentido deseado o se puede instalar la bolsa colectora de polvo en el conducto para polvo fijo. La bolsa colectora de polvo se deberá revisar frecuentemente y vaciar según sea necesario.

FIG. 30

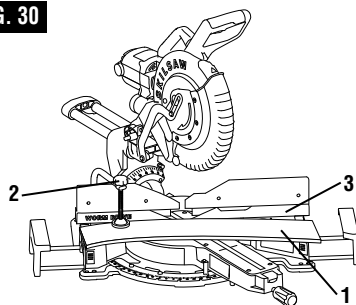
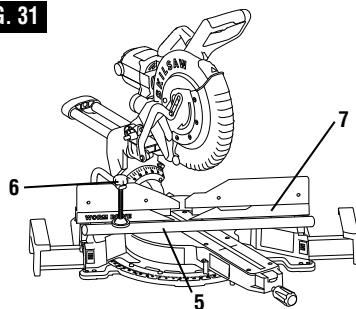


FIG. 31



MANTENIMIENTO Y LUBRICACIÓN

LUBRICACIÓN DE LOS ENGRANAJES

Su herramienta SKILSAW ha sido lubricada adecuadamente y está lista para utilizarse. Cuando se requiera, se recomienda relubricar los engranajes solamente con lubricante SKILSAW: Núm. 80111 (tubo de 8 oz). Compruebe siempre el nivel de aceite antes de utilizar la sierra. Como mínimo, el aceite se deberá cambiar una vez al año en caso de uso pesado o después de aproximadamente 60 horas de uso. En el caso de una sierra nueva, cambie el aceite después de las diez primeras horas de uso.

Para comprobar el aceite y añadir aceite: Saque el enchufe de la fuente de alimentación. Coloque la sierra sobre una superficie plana y estable. Bloquee el deslizador y deje el cabezal de la sierra en la posición hacia arriba. Retire el tapón del aceite utilizando una llave de tuerca de ½ pulgada. Realice una comprobación para asegurarse de que el aceite no esté por debajo del nivel de las roscas. Si es necesario, añada lubricante SKILSAW nuevo (Núm. 80111).

AVISO: Si el aceite está sucio o espeso, cámbielo.

Para cambiar el aceite: Tenga en funcionamiento la herramienta durante un minuto para calentar el aceite. Retire el enchufe de la fuente de alimentación. Fije el cabezal deslizante en la posición más hacia delante. Coloque un colector de aceite debajo de la parte delantera de la caja de engranajes. Retire el tapón de drenaje del aceite e incline la sierra hacia delante, hacia el colector de aceite, hasta que se drene todo el aceite. Reinstale el tapón de drenaje del aceite. Añada aceite siguiendo las instrucciones que anteceden.

ESCOBILLAS DE CARBONO

Las escobillas y el conmutador de la herramienta han sido diseñados para brindar muchas horas de servicio confiable. Para mantener la máxima eficiencia del motor, se recomienda examinar las escobillas cada dos a seis meses. Las escobillas deberán estar libres de polvo y pelusa. Las escobillas deberán ser reemplazadas cuando se hayan desgastado hasta 3/16 de pulgada de

longitud. Las escobillas deberán deslizarse libremente hacia dentro y hacia fuera de los portaescobillas sin atorarse..

Para comprobar las escobillas:

1. Desconecte el enchufe de la fuente de alimentación.
2. Retire las tapas de escobilla ubicadas en la carcasa del motor rotándolas, utilizando ya sea un destornillador corto o una moneda de 25 centavos, y luego acabe de retirar la escobilla con la mano. Fijese en qué sentido está orientada la escobilla, para que se pueda devolver a su posición original.
3. Limpie la abertura del portaescobillas con aire comprimido o un paño limpio.
4. Reemplace la escobilla y reinstale la tapa. Solamente se deberán usar escobillas de repuesto SKILSAW genuinas diseñadas para su herramienta.

Luz con sombra

Para lograr el mejor rendimiento de la luz con sombra, realice de manera regular el mantenimiento que se indica a continuación.

- Elimine cuidadosamente el aserrín y los residuos del lente de la luz con sombra utilizando un bastoncillo de algodón.
- NO use solventes de ninguna clase; es posible que dañen el lente.
- Una acumulación de polvo puede bloquear la luz con sombra e impedir que indique con precisión la línea de corte.
- La resina y los residuos que estén en la hoja pueden interferir con la luz con sombra e impedir que indique con precisión la línea de corte. Siga el manual de instrucciones de la sierra ingletadora para retirar e instalar la hoja. Con la hoja retirada de la sierra, limpie la hoja para eliminar la resina y la acumulación de polvo.

RESOLUCIÓN DE PROBLEMAS

Ponga el interruptor en la posición de APAGADO y retire siempre el enchufe de la fuente de alimentación antes de resolver problemas.

PROBLEMA: LA SIERRA NO ARRANCA

PROBLEMA

1. El cable de alimentación no está enchufado.
2. El fusible se ha fundido o el cortacircuito ha saltado.
3. El cable está dañado.
4. El interruptor se ha quemado.

REMEDIO

1. Enchufe la sierra en un tomacorriente que funcione.
2. Reemplace el fusible o restablezca un cortacircuito que ha saltado.
3. Haga reemplazar el cable en un Centro de Servicio SKIL Autorizado o una Estación de Servicio SKIL Autorizada.
4. Haga reemplazar el interruptor en un Centro de Servicio SKIL Autorizado o una Estación de Servicio SKIL Autorizada.

PROBLEMA: LA HOJA NO ALCANZA SU VELOCIDAD MÁXIMA

PROBLEMA

1. El cable de extensión es demasiado ligero o demasiado largo.
2. Tensión doméstica baja.

REMEDIO

1. Reemplace el cable por un cable adecuado.
2. Contacte a su compañía eléctrica.

PROBLEMA: VIBRACIÓN EXCESIVA

PROBLEMA

1. La hoja está desbalanceada.
2. La sierra no está montada de manera segura en la base de soporte o el banco de trabajo.
3. La tuerca del eje portaherramienta no está apretada.

REMEDIO

1. Deseche la hoja y utilice una hoja distinta.
2. Apriete todos los herrajes de montaje.
3. Consulte la sección "Ajustes", "Remoción e instalación de la hoja".

PROBLEMA; LA LUZ CON SOMBRA NO FUNCIONA O ES TENUE

PROBLEMA

1. La cubierta de la luz con sombra está cubierta de aserrín o resina de madera.
2. El interruptor de encendido y apagado de la luz con sombra no está activado.
3. El interruptor de encendido y apagado de la luz con sombra no funciona.

REMEDIO

1. Limpie la cubierta de la luz con sombra utilizando aire comprimido y/o pásele paño húmedo.
2. Ponga en la posición de encendido el interruptor de encendido y apagado de la luz con sombra.
3. Haga reemplazar el interruptor en un Centro de Servicio SKIL Autorizado o una Estación de Servicio SKIL Autorizada.

ACCESORIOS RECOMENDADOS

Lubricante Skilsaw 80111

Hoja de carburo de 60 dientes Skilsaw SPT1010

Base de soporte plegable para sierras ingletadoras SPT5002-FS

Base de soporte rodante para sierras ingletadoras SPT5001-RS

Notes:

Remarques :

Notas:

LIMITED WARRANTY OF SKILSAW® PROFESSIONAL PORTABLE AND PROFESSIONAL BENCHTOP POWER TOOLS DESIGNATED WITH A MODEL NUMBER BEGINNING WITH SPT

Chervon North America ("Seller") warrants to the original purchaser only, that all SKILSAW professional portable and benchtop power tools designated with a model number beginning with SPT, will be free from defects in material or workmanship for a period of one year from date of purchase.

SELLER'S SOLE OBLIGATION AND YOUR EXCLUSIVE REMEDY under this Limited Warranty and, to the extent permitted by law, any warranty or condition implied by law, shall be the repair or replacement of parts, without charge, which are defective in material or workmanship and which have not been misused, abused, or repaired by persons other than Seller or Authorized Service Center. To make a claim under this Limited Warranty, you must return the complete product, transportation prepaid, to any Bosch Factory Service Center or Authorized Service Center. For Authorized Bosch Power Tool Service Centers, please visit www.skilsaw.com or call 1-877-SKIL-999 (1-877-754-5999)

In addition to the limited warranty above, SKILSAW professional portable and benchtop power tools designated with a model number beginning with SPT are covered by our 180-Day STAY TRUE® Guarantee. The original purchaser may return any eligible SKILSAW professional portable and benchtop power tool for any reason to the original place of purchase, within 180 days from the date of purchase for a full refund. The Original purchaser must retain the receipt as proof of purchase. Reconditioned tools ARE NOT eligible for our STAY TRUE GUARANTEE.

GARANTIE LIMITÉE D'OUTILS ÉLECTRIQUES PROFESSIONNELS PORTATIFS ET PROFESSIONNELS DE TABLE SKILSAW® CONÇUS AVEC UN NUMÉRO DE MODÈLE COMMENÇANT PAR SPT

Chervon North America (« Vendeur ») garantit à l'acheteur original seulement que tous les outils électriques professionnels portatifs et de table SKILSAW conçus avec un numéro de modèle commençant par SPT ne comporteront aucun défaut de matériau ou vice de fabrication pendant une période d'un an à compter de la date de leur achat.

LA SEULE OBLIGATION DU VENDEUR ET VOTRE REMÈDE EXCLUSIF en vertu de la présente Garantie limitée et, dans la mesure autorisée par la loi, de toute garantie ou condition s'appliquant de plein droit, sera la réparation ou le remplacement sans frais des pièces affectées d'un défaut de matériau ou d'un vice de fabrication, à condition qu'elles n'aient pas été utilisées de façon inappropriée ou abusivement, et qu'elles n'aient pas été réparées par des personnes autres que le Vendeur ou un Centre de service après-vente agréé. Pour vous prévaloir de la présente Garantie limitée, vous devez retourner le produit complet, en port payé, à un centre de service usine Bosch ou à un centre de service après-vente agréé. Pour trouver les centres de service après-vente agréés de Bosch pour des outils électriques, veuillez vous rendre sur le site www.skilsaw.com ou téléphoner au 1-877-SKIL-999 (1-877-754-5999)

En plus de la garantie limitée susmentionnée, les outils électriques professionnels portatifs et de table SKILSAW conçus avec un numéro de modèle commençant par SPT sont couverts par notre garantie de 180 jours STAY TRUE®. L'acheteur original peut retourner à l'endroit où il l'a acheté tout outil électrique professionnel portatif ou de table SKILSAW admissible pour quelque raison que ce soit dans les 180 jours suivant la date de son achat pour obtenir un remboursement intégral. L'acheteur original doit conserver son reçu comme preuve d'achat. Les outils remis en état NE SONT PAS admissibles pour notre GARANTIE STAY TRUE.

GARANTÍA LIMITADA PARA HERRAMIENTAS ELÉCTRICAS SKILSAW® PROFESIONALES PORTÁTILES Y DE BANCO PROFESIONALES DESIGNADAS CON UN NÚMERO DE MODELO QUE COMIENCE CON SPT

Chervon North America (el "Vendedor") garantiza, únicamente al comprador original, que todas las herramientas eléctricas SKILSAW profesionales portátiles y de banco designadas con un número de modelo que comience con SPT estarán libres de defectos de material o de fabricación durante un período de un año a partir de la fecha de compra.

LA ÚNICA OBLIGACIÓN DEL VENDEDOR Y EL RECURSO EXCLUSIVO QUE USTED TIENE bajo esta Garantía Limitada y, en la medida en que la ley lo permita, bajo cualquier garantía o condición implícita por ley, consistirá en la reparación o el reemplazo sin cargo alguno de las piezas que presenten defectos de material o de fabricación y que no hayan sido utilizadas incorrectamente, sometidas a abuso o reparadas por personas que no sean el Vendedor o un Centro de Servicio Autorizado. Para efectuar un reclamo bajo esta Garantía Limitada, usted debe devolver el producto completo, con el transporte prepago, a cualquier Centro de Servicio de Fábrica Bosch o Centro de Servicio Autorizado Bosch. Para localizar Centros de Servicio de Herramientas Eléctricas Bosch Autorizados, sírvase visitar www.skilsaw.com o llamar al 1-877-SKIL-999 (1-877-754-5999).

Además de la garantía limitada que antecede, las herramientas eléctricas SKILSAW profesionales portátiles y de banco designadas con un número de modelo que comience con SPT están cubiertas por nuestra garantía STAY TRUE® de 180 días. El comprador original podrá devolver cualquier herramienta eléctrica SKILSAW profesional portátil y de banco que reúna los requisitos, por cualquier motivo, dentro del plazo de 180 días a partir de la fecha de compra, para recibir un reembolso completo. El comprador original debe retener el recibo como comprobante de compra. Las herramientas reacondicionadas NO REÚNEN los requisitos de nuestra GARANTÍA STAY TRUE.