

DEWALT®



**Instruction Manual
Guide D'utilisation
Manual de instrucciones**

DCS375

12V Max* Xtreme 1-3/4" Band Saw

Scie à ruban max* Xtreme 1-3/4" 12 V max

Sierra de Banda de 1-3/4" Xtreme 12 V Máx*

www.DEWALT.com

**If you have questions or comments, contact us.
Pour toute question ou tout commentaire, nous contacter.
Si tiene dudas o comentarios, contáctenos.**

1-800-4-DEWALT

English (**original instructions**)

4

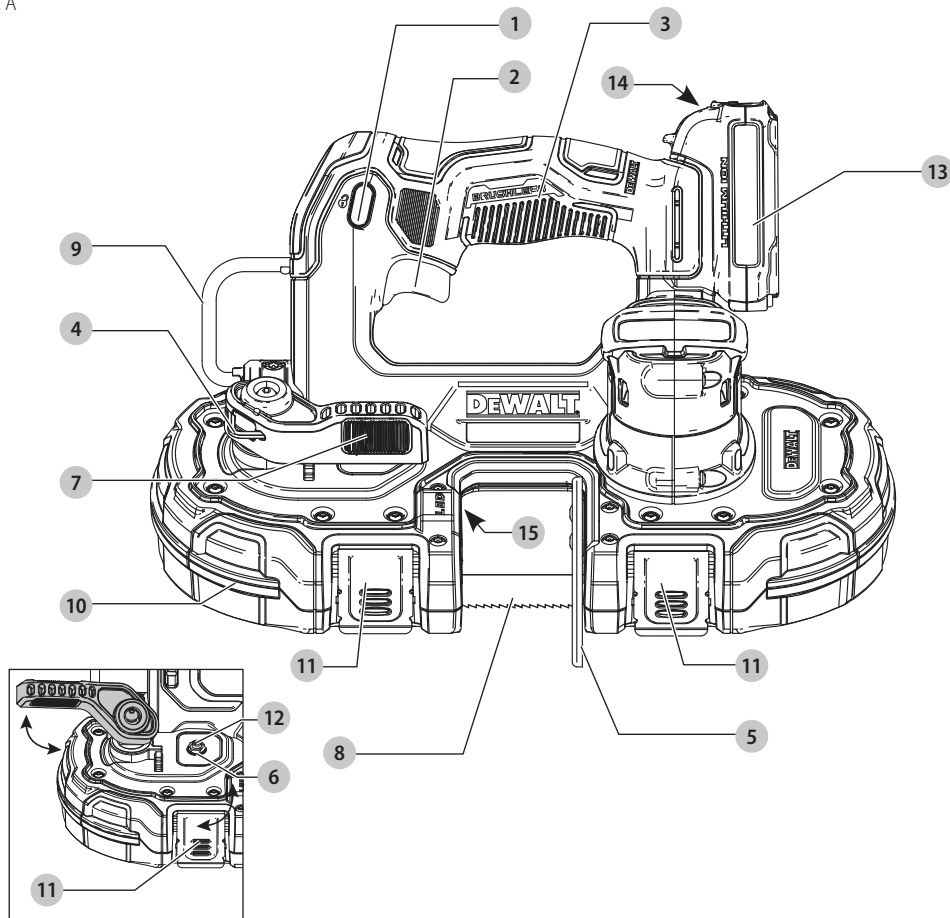
Français (*traduction de la notice d'instructions originale*)

13

Español (*traducido de las instrucciones originales*)

24

Fig. A



Components

- 1 Lock-off button
- 2 Variable speed trigger switch
- 3 Main handle
- 4 Hex wrench
- 5 Work stop
- 6 Lock nut
- 7 Blade tension lever
- 8 Blade
- 9 Hang hook
- 10 Blade guard
- 11 Blade guard latches
- 12 Tracking screw
- 13 Battery pack
- 14 Battery release button
- 15 LED worklight

Composantes

- 1 Bouton de verrouillage
- 2 Gâchette
- 3 Poignée principale
- 4 Clé hexagonale
- 5 Butée de coupe
- 6 Écrou de blocage
- 7 Levier de réglage de tension de lame
- 8 Lame
- 9 Crochet
- 10 Protège-lame
- 11 Loquets du protecteur de lame
- 12 Vis de réglage d'alignement
- 13 Bloc-piles
- 14 Bouton de libération
- 15 Lampe DEL

Componentes

- 1 Interruptor de desbloqueo
- 2 Gatillo
- 3 Mango principal
- 4 Llave hexagonal
- 5 Tope
- 6 Tuerca de bloqueo
- 7 Palanca de tensión de la hoja
- 8 Hoja
- 9 Gancho para colgar
- 10 Protector de la hoja
- 11 Seguros de la protección de la cuchill
- 12 Tornillos de ajuste
- 13 Paquete de baterías
- 14 Botón de liberación
- 15 Luz de trabajo LED

Fig. B





	75–100% charged Chargé de 75 à 100 % 75–100% cargada
	51–74% charged Chargé de 51 à 74 % 51–74% cargada
	< 50% charged Chargé de < 50 % < 50% cargada
	Pack needs to be charged Le bloc-piles doit être rechargé La batería tiene que cargarse

Fig. C

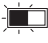





Indicators/Témoins/Indicador	
 Charging Bloc-piles en Cours de Chargement Unidad en Proceso de Carga	
 Fully Charged Bloc-piles Chargé Unidad Cargada	
 Hot/Cold Pack Delay Suspension de Charge Contre le Chaud/Froid Restraso por Unidad Caliente/Fría	

Fig. D

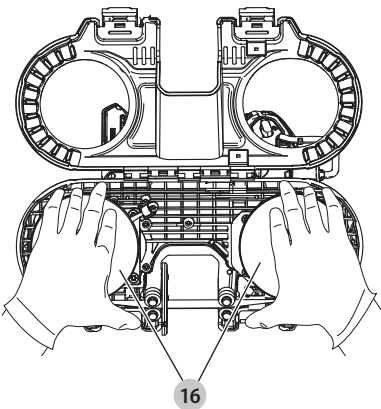


Fig. E

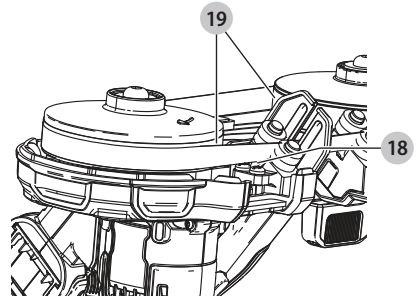


Fig. F

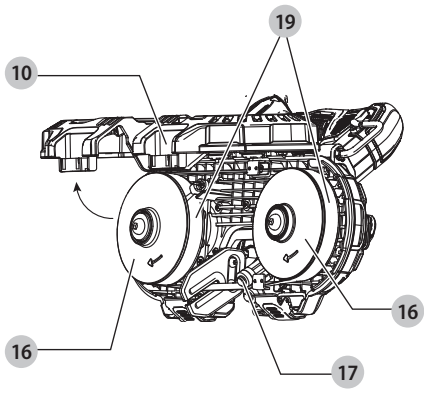


Fig. G

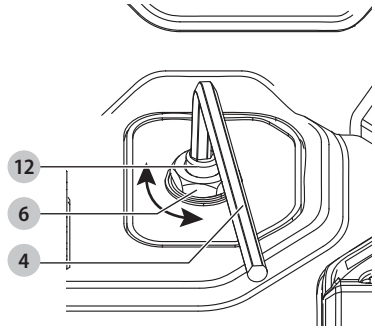


Fig. H

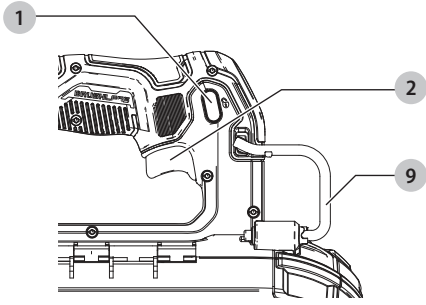


Fig. I

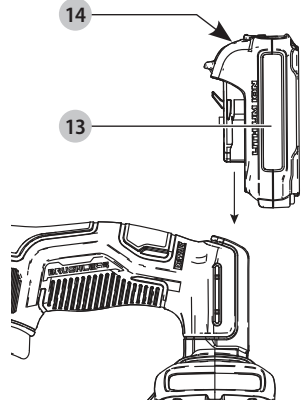
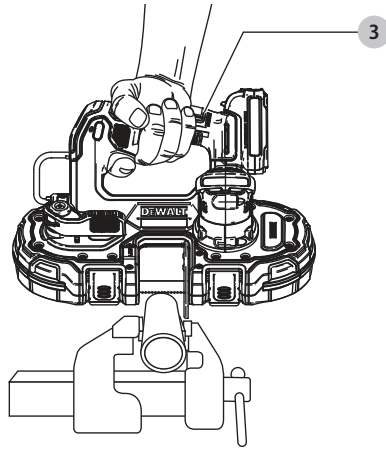


Fig. J





WARNING: Read all safety warnings and all instructions. Failure to follow the warnings and instructions may result in electric shock, fire and/or serious injury.



WARNING: To reduce the risk of injury, read the instruction manual.

Intended Use

This heavy-duty band saw is designed for professional metal cutting applications.

This band saw is a professional power tool.

DO NOT use under wet conditions or in presence of flammable liquids or gases.

DO NOT let children come into contact with the tool.

Supervision is required when inexperienced operators use this tool.

Definitions: Safety Alert Symbols and Words

This instruction manual uses the following safety alert symbols and words to alert you to hazardous situations and your risk of personal injury or property damage.



DANGER: Indicates an imminently hazardous situation which, if not avoided, **will** result in **death or serious injury**.



WARNING: Indicates a potentially hazardous situation which, if not avoided, **could** result in **death or serious injury**.



CAUTION: Indicates a potentially hazardous situation which, if not avoided, **may** result in **minor or moderate injury**.



(Used without word) Indicates a safety related message.

NOTICE: Indicates a practice **not related to personal injury** which, if not avoided, **may** result in **property damage**.

GENERAL POWER TOOL SAFETY WARNINGS



WARNING: Read all safety warnings, instructions, illustrations and specifications provided with **this power tool**. Failure to follow all instructions listed below may result in electric shock, fire and/or serious injury.

SAVE ALL WARNINGS AND INSTRUCTIONS FOR FUTURE REFERENCE.

The term "power tool" in the warnings refers to your mains-operated (corded) power tool or battery-operated (cordless) power tool.

1) Work Area Safety

- Keep work area clean and well lit.** Cluttered or dark areas invite accidents.
- Do not operate power tools in explosive atmospheres, such as in the presence of flammable liquids, gases or dust.** Power tools create sparks which may ignite the dust or fumes.
- Keep children and bystanders away while operating a power tool.** Distractions can cause you to lose control.

2) Electrical Safety

- Power tool plugs must match the outlet. Never modify the plug in any way. Do not use any adapter plugs with earthed (grounded) power tools.** Unmodified plugs and matching outlets will reduce risk of electric shock.
- Avoid body contact with earthed or grounded surfaces, such as pipes, radiators, ranges and refrigerators.** There is an increased risk of electric shock if your body is earthed or grounded.
- Do not expose power tools to rain or wet conditions.** Water entering a power tool will increase the risk of electric shock.
- Do not abuse the cord. Never use the cord for carrying, pulling or unplugging the power tool. Keep cord away from heat, oil, sharp edges or moving parts.** Damaged or entangled cords increase the risk of electric shock.
- When operating a power tool outdoors, use an extension cord suitable for outdoor use.** Use of a cord suitable for outdoor use reduces the risk of electric shock.
- If operating a power tool in a damp location is unavoidable, use a ground fault circuit interrupter (GFCI) protected supply.** Use of a GFCI reduces the risk of electric shock.

3) Personal Safety

- Stay alert, watch what you are doing and use common sense when operating a power tool. Do not use a power tool while you are tired or under the influence of drugs, alcohol or medication.** A moment of inattention while operating power tools may result in serious personal injury.
- Use personal protective equipment. Always wear eye protection.** Protective equipment such as a dust mask, non-skid safety shoes, hard hat, or hearing protection used for appropriate conditions will reduce personal injuries.
- Prevent unintentional starting. Ensure the switch is in the off-position before connecting to power source and/or battery pack, picking up or carrying the tool.** Carrying power tools with your finger on the switch or energizing power tools that have the switch on invites accidents.
- Remove any adjusting key or wrench before turning the power tool on.** A wrench or a key left attached to a rotating part of the power tool may result in personal injury.
- Do not overreach. Keep proper footing and balance at all times.** This enables better control of the power tool in unexpected situations.
- Dress properly. Do not wear loose clothing or jewelry. Keep your hair, clothing and gloves away from moving parts.** Loose clothes, jewelry or long hair can be caught in moving parts.
- If devices are provided for the connection of dust extraction and collection facilities, ensure these are connected and properly used.** Use of dust collection can reduce dust-related hazards.

- h) **Do not let familiarity gained from frequent use of tools allow you to become complacent and ignore tool safety principles.** A careless action can cause severe injury within a fraction of a second.

4) Power Tool Use and Care

- a) **Do not force the power tool. Use the correct power tool for your application.** The correct power tool will do the job better and safer at the rate for which it was designed.
- b) **Do not use the power tool if the switch does not turn it on and off.** Any power tool that cannot be controlled with the switch is dangerous and must be repaired.
- c) **Disconnect the plug from the power source and/or remove the battery pack, if detachable, from the power tool before making any adjustments, changing accessories, or storing power tools.** Such preventive safety measures reduce the risk of starting the power tool accidentally.
- d) **Store idle power tools out of the reach of children and do not allow persons unfamiliar with the power tool or these instructions to operate the power tool.** Power tools are dangerous in the hands of untrained users.
- e) **Maintain power tools and accessories. Check for misalignment or binding of moving parts, breakage of parts and any other condition that may affect the power tool's operation. If damaged, have the power tool repaired before use.** Many accidents are caused by poorly maintained power tools.
- f) **Keep cutting tools sharp and clean.** Properly maintained cutting tools with sharp cutting edges are less likely to bind and are easier to control.
- g) **Use the power tool, accessories and tool bits etc. in accordance with these instructions, taking into account the working conditions and the work to be performed.** Use of the power tool for operations different from those intended could result in a hazardous situation.
- h) **Keep handles and grasping surfaces dry, clean and free from oil and grease.** Slippery handles and grasping surfaces do not allow for safe handling and control of the tool in unexpected situations.

5) Battery Tool Use and Care

- a) **Recharge only with the charger specified by the manufacturer.** A charger that is suitable for one type of battery pack may create a risk of fire when used with another battery pack.
- b) **Use power tools only with specifically designated battery packs.** Use of any other battery packs may create a risk of injury and fire.
- c) **When battery pack is not in use, keep it away from other metal objects, like paper clips, coins, keys, nails, screws or other small metal objects, that can make a connection from one terminal to another.** Shorting the battery terminals together may cause burns or a fire.

- d) **Under abusive conditions, liquid may be ejected from the battery; avoid contact. If contact accidentally occurs, flush with water. If liquid contacts eyes, additionally seek medical help.** Liquid ejected from the battery may cause irritation or burns.
- e) **Do not use a battery pack or tool that is damaged or modified.** Damaged or modified batteries may exhibit unpredictable behavior resulting in fire, explosion or risk of injury.
- f) **Do not expose a battery pack or tool to fire or excessive temperature.** Exposure to fire or temperature above 265 °F (130 °C) may cause explosion.
- g) **Follow all charging instructions and do not charge the battery pack or tool outside the temperature range specified in the instructions.** Charging improperly or at temperatures outside the specified range may damage the battery and increase the risk of fire.

6) Service

- a) **Have your power tool serviced by a qualified repair person using only identical replacement parts.** This will ensure that the safety of the power tool is maintained.
- b) **Never service damaged battery packs.** Service of battery packs should only be performed by the manufacturer or authorized service providers.

Additional Safety Rules for Portable Band Saws

- **Hold power tool by insulated gripping surfaces when performing an operation where the cutting accessory may contact hidden wiring.** Cutting accessories contacting a "live" wire may make exposed metal parts of the power tool "live" and could give the operator an electric shock.
- **Keep hands away from cutting area and blade.**
- **Always make sure the portable band saw is clean before using.**
- **Always cease operation at once if you notice any abnormality whatsoever.**
- **Always be sure all components are mounted properly and securely before using tool.**
- **Always handle the band saw blade with care when mounting or removing it.**
- **Always keep your hands out of the line of the band saw blade.**
- **Always wait until the motor has reached full speed before starting a cut.**
- **Always keep handles dry, clean, and free of oil and grease.** Hold the tool firmly when in use.
- **Always be alert at all times, especially during repetitive, monotonous operations.** Always be sure of position of your hands relative to the blade.
- **Never remove work stop.**

- **Stay clear of end pieces that may fall after cutting off.** They may be hot, sharp and/or heavy. Serious personal injury may result.

Additional Safety Information

WARNING: Never modify the power tool or any part of it. Damage or personal injury could result.

WARNING: ALWAYS use safety glasses. Everyday eyeglasses are NOT safety glasses. Also use face or dust mask if cutting operation is dusty. ALWAYS WEAR CERTIFIED SAFETY EQUIPMENT:

- ANSI Z87.1 eye protection (CAN/CSA Z94.3),
- ANSI S12.6 (S3.19) hearing protection,
- NIOSH/OSHA/MSHA respiratory protection.

WARNING: Some dust created by power sanding, sawing, grinding, drilling, and other construction activities contains chemicals known to the State of California to cause cancer, birth defects or other reproductive harm. Some examples of these chemicals are:

- lead from lead-based paints,
- crystalline silica from bricks and cement and other masonry products, and
- arsenic and chromium from chemically-treated lumber.









Your risk from these exposures varies, depending on how often you do this type of work. To reduce your exposure to these chemicals: work in a well ventilated area, and work with approved safety equipment, such as those dust masks that are specially designed to filter out microscopic particles.

- **Wear protective clothing and wash exposed areas with soap and water.** Allowing dust to get into your mouth, eyes, or lay on the skin may promote absorption of harmful chemicals. Direct particles away from face and body.
- **Use the appropriate dust extractor vacuum to remove the vast majority of static and airborne dust.** Failure to remove static and airborne dust could contaminate the working environment or pose an increased health risk to the operator and those in close proximity.
- **Use clamps or other practical ways to secure and support the workpiece to a stable platform.** Holding the work by hand or against your body is unstable and may lead to loss of control and injury.
- **Air vents often cover moving parts and should be avoided.** Loose clothes, jewelry or long hair can be caught in moving parts.

CAUTION: When not in use, place tool on its side on a stable surface where it will not cause a tripping or falling hazard. Some tools with large battery packs will stand upright on the battery pack but may be easily knocked over.

The label on your tool may include the following symbols. The symbols and their definitions are as follows:

BPM.....beats per minute/min.....per minute
V.....volts	RPM.....revolutions per minute
min.....minutesminute
== or DC.....direct current	A.....amperes

Hz.....hertz	Class II Construction (double insulated)
W.....watts	wear hearing protection
Wh.....watt hours	read all documentation
n ₀no load speed	avoid staring at light
n.....rated speed	 or AC.....alternating current
safety alert symbol	Ah.....amp hours
wear respiratory protection	
wear eye protection	

BATTERIES AND CHARGERS

The battery pack is not fully charged out of the carton. Before using the battery pack and charger, read the safety instructions below and then follow charging procedures outlined. When ordering replacement battery packs, be sure to include the catalog number and voltage.

READ ALL INSTRUCTIONS

Important Safety Instructions for All Battery Packs

WARNING: Read all safety warnings, instructions, and cautionary markings for the battery pack, charger and product. Failure to follow the warnings and instructions may result in electric shock, fire and/or serious injury.

- **Do not charge or use the battery pack in explosive atmospheres, such as in the presence of flammable liquids, gases or dust.** Inserting or removing the battery pack from the charger may ignite the dust or fumes.
- **NEVER force the battery pack into the charger. DO NOT modify the battery pack in any way to fit into a non-compatible charger as battery pack may rupture causing serious personal injury.** Consult the chart at the end of this manual for compatibility of batteries and chargers.
- **Charge the battery packs only in DeWALT chargers.**
- **DO NOT splash or immerse in water or other liquids.**
- **DO NOT allow water or any liquid to enter battery pack.**
- **Do not store or use the tool and battery pack in locations where the temperature may reach or exceed 104 °F (40 °C) (such as outside sheds or metal buildings in summer).** For best life store battery packs in a cool, dry location.

NOTE: Do not store the battery packs in a tool with the trigger switch locked on. Never tape the trigger switch in the ON position.

- **Do not incinerate the battery pack even if it is severely damaged or is completely worn out.** The battery pack can explode in a fire. Toxic fumes and materials are created when lithium-ion battery packs are burned.
- **Do not expose a battery pack or appliance to fire or excessive temperature.** Exposure to fire or temperature above 265 °F (130 °C) may cause explosion.
- **Follow all charging instructions and do not charge the battery pack or appliance outside of the temperature**

range specified in the instructions. Charging improperly or at temperatures outside of the specified range may damage the battery and increase the risk of fire.

- **If battery contents come into contact with the skin, immediately wash area with mild soap and water.** If battery liquid gets into the eye, rinse water over the open eye for 15 minutes or until irritation ceases. If medical attention is needed, the battery electrolyte is composed of a mixture of liquid organic carbonates and lithium salts.
- **Contents of opened battery cells may cause respiratory irritation.** Provide fresh air. If symptoms persist, seek medical attention.
- **Battery liquid may be flammable if exposed to spark or flame.**
- **Never attempt to open the battery pack for any reason. If the battery pack case is cracked or damaged, do not insert into the charger.** Do not crush, drop or damage the battery pack. Do not use a battery pack or charger that has received a sharp blow, been dropped, run over or damaged in any way (e.g., pierced with a nail, hit with a hammer, stepped on). Damaged battery packs should be returned to the service center for recycling.

Storage Recommendations

The best storage place is one that is cool and dry, away from direct sunlight and excess heat or cold. Store the fully charged battery pack out of the charger.

Battery Pack Cleaning Instructions

Dirt and grease may be removed from the exterior of the battery pack using a cloth or soft non-metallic brush. Do not use water or any cleaning solutions.

Fuel Gauge Battery Packs (Fig. B)

Some battery packs include a fuel gauge. When the fuel gauge button is pressed and held, the LED lights will indicate the approximate level of charge remaining. This does not indicate tool functionality and is subject to variation based on product components, temperature, and end-user application.

Transportation



WARNING: Fire hazard. Do not store, carry, or transport the battery pack so that metal objects can contact exposed battery terminals. For example, do not place the battery pack in aprons, pockets, tool boxes, product kit boxes, drawers, etc., with loose nails, screws, keys, coins, hand tools, etc. When transporting individual battery packs, make sure that the battery terminals are protected and well insulated from materials that could contact them and cause a short circuit. **NOTE:** Li-ion battery packs should not be put in checked baggage on airplanes and must be properly protected from short circuits if they are in carry-on baggage.

The RBRC® Seal

Please take your spent battery packs to an authorized DEWALT service center or to your local retailer for recycling. In some areas, it is illegal to place spent battery packs in the trash. You may also contact your local recycling center for information on where to drop off the spent battery pack. Do not place in curbside recycling. For more information visit www.call2recycle.org, or call the toll free number in the RBRC® Seal.

RBRC® is a registered trademark of Call 2 Recycle, Inc.



Important Safety Instructions for All Battery Chargers



WARNING: Read all safety warnings, instructions, and cautionary markings for the battery pack, charger and product. Failure to follow the warnings and instructions may result in electric shock, fire and/or serious injury.

- **DO NOT attempt to charge the battery pack with any chargers other than a DEWALT charger.** DEWALT chargers and battery packs are specifically designed to work together.
- **These chargers are not intended for any uses other than charging DEWALT rechargeable battery packs.** Charging other types of battery packs may cause them to overheat and burst, resulting in personal injury, property damage, fire, electric shock or electrocution.
- **Do not expose the charger to rain or snow.**
- **Do not allow water or any liquid to enter charger.**
- **Pull by the plug rather than the cord when disconnecting the charger.** This will reduce the risk of damage to the electric plug and cord.
- **Make sure that the cord is located so that it will not be stepped on, tripped over or otherwise subjected to damage or stress.**
- **Do not use an extension cord unless it is absolutely necessary.** Use of improper extension cord could result in risk of fire, electric shock or electrocution.
- **When operating a charger outdoors, always provide a dry location and use an extension cord suitable for outdoor use.** Use of a cord suitable for outdoor use reduces the risk of electric shock.
- **An extension cord must have adequate wire size (AWG or American Wire Gauge) for safety.** The smaller the gauge number of the wire, the heavier the cord and thus the greater its capacity. An undersized cord will cause a drop in line voltage resulting in loss of power and overheating. The following table shows the correct size to use depending on total length of all extension cords plugged together, and nameplate ampere rating. If in doubt, use the next heavier gauge.


Minimum Gauge for Cord Sets

Volts		Total Length of Cord in Feet (meters)			
		25 (7.6)	50 (15.2)	100 (30.5)	150 (45.7)
120V					
Ampere Rating		American Wire Gauge			
More Than	Not More Than				
0	6	18	16	16	14
6	10	18	16	14	12
10	12	16	16	14	12
12	16	14	12	Not Recommended	

- **Do not place any object on top of the charger or place the charger on a soft surface that might block the ventilation slots and result in excessive internal heat.** Place the charger in a position away from any heat source. The charger is ventilated through slots in the top and the bottom of the housing.
- **Do not operate the charger with a damaged cord or plug.** Have them replaced immediately.
- **Do not operate the charger if it has received a sharp blow, been dropped or otherwise damaged in any way.** Take it to an authorized service center.
- **Do not disassemble the charger; take it to an authorized service center when service or repair is required.** Incorrect reassembly may result in a risk of electric shock, electrocution or fire.
- **The charger is designed to operate on standard 120V household electrical power. Do not attempt to use it on any other voltage.** This does not apply to the vehicular charger.
- **Foreign materials of a conductive nature, such as, but not limited to, grinding dust, metal chips, steel wool, aluminum foil or any buildup of metallic particles should be kept away from the charger cavities and ventilation slots.**
- **Always unplug the charger from the power supply when there is no battery pack in the cavity.**

Charging a Battery (Fig. C)

1. Plug the charger into an appropriate outlet.
2. Insert and fully seat battery pack. The red charging light will continuously blink while charging.
3. Charging is complete when the red charging light remains continuously ON. Battery pack can be left in charger or removed. Some chargers require the battery pack release button to be pressed for removal.

 **WARNING:** Only charge batteries in air temperature over 40 °F (4.5 °C) and below 105 °F (+40.5 °C).

4. Charger will not charge a faulty battery pack, which may be indicated by the light staying OFF. Take charger and battery pack to an authorized service center if light stays OFF.

NOTE: Refer to label near charging light on charger for blink patterns. Older chargers may have additional information and/or may not have a yellow indicator light.

Hot/Cold Pack Delay

When the charger detects a battery pack that is too hot or too cold, it automatically starts a Hot/Cold Pack Delay,

suspending charging until the battery pack has reached an appropriate temperature. The charger then automatically switches to the pack charging mode. This feature ensures maximum battery pack life.

A cold battery pack may charge at a slower rate than a warm battery pack.

The hot/cold pack delay will be indicated by the red light continuing to blink but with the yellow light continuously ON. Once the battery pack has reached an appropriate temperature, the yellow light will turn OFF and the charger will resume the charging procedure.

DCB118 and DCB1112 Chargers

The DCB118 and DCB1112 chargers are equipped with an internal fan designed to cool the battery pack. The fan will turn on automatically when the battery pack needs to be cooled.


Electronic Protection System

Li-Ion tools are designed with an Electronic Protection System that will protect the battery pack against overloading, overheating or deep discharge. The tool will automatically turn off and the battery pack will need to be recharged.

Important Charging Notes

1. The charger and battery pack may become warm to the touch while charging. This is a normal condition, and does not indicate a problem. To facilitate the cooling of the battery pack after use, avoid placing the charger or battery pack in a warm environment such as in a metal shed or an uninsulated trailer.
2. If the battery pack does not charge properly:
 - a. Check operation of receptacle by plugging in a lamp or other appliance;
 - b. Check to see if receptacle is connected to a light switch which turns power off when you turn out the lights;
 - c. If charging problems persist, take the tool, battery pack and charger to your local service center.
3. You may charge a partially used pack whenever you desire with no adverse effect on the battery pack.

Charger Cleaning Instructions

 **WARNING:** Shock hazard. Disconnect the charger from the AC outlet before cleaning. Dirt and grease may be removed from the exterior of the charger using a cloth or soft non-metallic brush. Do not use water or any cleaning solutions.

Wall Mounting

Some DEWALT chargers are designed to be wall mountable or to sit upright on a table or work surface. If wall mounting, locate the charger within reach of an electrical outlet, and away from a corner or other obstructions which may impede air flow. Use the back of the charger as a template for the location of the mounting screws on the wall. Mount the charger securely using drywall screws (purchased separately) at least 1" (25.4 mm) long, with a screw head diameter of 0.28–0.35" (7–9 mm), screwed into wood to an optimal depth leaving approximately 7/32" (5.5 mm) of the screw

exposed. Align the slots on the back of the charger with the exposed screws and fully engage them in the slots.

SAVE THESE INSTRUCTIONS FOR FUTURE USE

ASSEMBLY AND ADJUSTMENTS

WARNING: To reduce the risk of serious personal injury, turn unit off and remove the battery pack before making any adjustments or removing/installing attachments or accessories. An accidental start-up can cause injury.

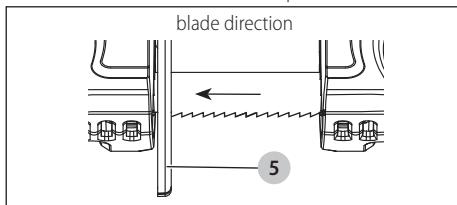
Installing and Removing Blades

CAUTION: Cut Hazard. Blade tension lever is under spring pressure. Maintain control of lever when releasing blade tension.

WARNING: ALWAYS wear gloves when touching the saw blade.

To Install Blade (Fig. A, D–F)

1. Rotate the blade tension lever **7** clockwise 180 degrees until it stops to release tension on blade (refer to Figure A).
2. Turn the saw over and place it on a workbench or table.
3. Unlatch the two blade guard latches **11** and open the blade guard.
4. Position the blade so that the teeth face out from the saw and cut towards the work stop **5**.



5. Slip blade into the guide rollers **17** and around both pulleys **16** as shown in Figure D.
6. Make sure that the blade is fully inserted into the guide rollers and positioned fully on the rubber tires **19** and just touching the rear guide bearings **18**.
7. Rotate the blade tension lever **7** counterclockwise until it stops and then close blade guard and secure latches. Make sure the teeth face away from the band saw (Fig. A, D).
8. Turn the saw on and off a few times to ensure that the blade is seated properly.

To Remove Blade (Fig. A, D–F)

1. Rotate the blade tension lever **7** clockwise 180 degrees until it stops to release tension in blade (refer to Figure A).
2. Turn the saw over and place it on a workbench or table.
3. Unlatch the two blade guard latches and open the blade guard.
4. When removing the blade, tension may be released and the blade may spring free. **SAW BLADES ARE SHARP. USE CARE IN HANDLING THEM.**

5. Inspect the guide rollers **17** and remove any large chips which may be lodged in them. Lodged chips can prevent rotation of the guide rollers and cause flat spots on the guide rollers.
6. Rubber tires **19** are mounted on the pulleys **16**. The rubber tires should be inspected for looseness or damage when changing the blade. Wipe any chips from the rubber tires on the pulleys with a brush.

NOTE: Do not use your hands to wipe chips. This will extend tire life and keep the blade from slipping. If any looseness or damage occurs, the tool should be brought to an authorized DEWALT service center for repair or replacement as soon as possible. Continued use of the tool with loose or damaged rubber tires will cause unstable travel of the band saw blade.
7. Close the blade guard and securely latch the two blade guard latches. Rotate the blade tension lever **7** counterclockwise 180 degrees until it stops.

Blade Tracking (Fig. A, E, G)

WARNING: To reduce the risk of serious personal injury, turn tool off and remove the battery pack before making any adjustments or removing/installing attachments or accessories. An accidental start-up can cause injury.

NOTICE: Excessive tightening of the adjustment screws could result in damage to the saw.

Your band saw is equipped with an adjustable blade tracking mechanism which assures proper blade tracking at all times. The blade is properly adjusted when it is sitting fully on rubber tires **19** and lightly touching one or both of the rear guide bearings **18**.

To Adjust the Blade Tracking

1. Turn and open the blade tension lever **7** to allow access to the tracking screw **12**.
2. Use a 10 mm wrench to loosen the locking nut **6** (Fig. G).
3. Use a 3 mm hex wrench **4** to turn the tracking screw **12** 1/4 turn clockwise or counterclockwise (Fig. G).

NOTE: Turning the tracking screw clockwise moves the blade toward the guide roller, turning the tracking screw counterclockwise moves the blade away from the guide roller.
4. Tighten the locking nut and close the blade tension lever and blade guard. (It will be necessary to run the saw to observe the tracking.)
5. Observe blade tracking between runs and repeat Steps 1–4 as necessary to achieve proper blade tracking.

Blades

This portable band saw is setup for use with .02" (0.5 mm) thick, 1/2" (12.7 mm) wide and 27" – 27-1/4" (686 mm–692 mm) long blades. **DO NOT** use .025" (0.64 mm) thick blades.

WARNING: The use of any other blade or accessory might be hazardous. **DO NOT** use any other type of accessory with your band saw. Blades used on

stationary band saws are of different thickness. Do not attempt to use them on your portable unit.

Blade Selection

In general, first consider the size and shape of the work, and the type of material to be cut. Remember, for the most efficient cutting, the coarsest tooth blade possible should be used in a given application, because the coarser the tooth, the faster the cut. In selecting the appropriate number of teeth per inch of the band saw blade, at least two teeth should contact the work surface when the blade is rested against the workpiece. As a rule of thumb, soft materials usually require coarse tooth blades, while hard materials require fine tooth blades. Where a smoother finish is important, select one of the finer tooth blades.

Select the appropriate band saw blade according to the material type, dimensions, and number of teeth. See **Bi-Metal Band Saw Blade Description** chart.

The following table is intended as a general guide only. Determine the type of material and dimension of the workpiece and select the most appropriate band saw blade.

NOTICE: Never use the band saw to cut resin materials which are subject to melting. Melting of resin material caused by high heat generated during cutting may cause the band saw blade to become bound to the material, possibly resulting in overload and burn-out of the motor.

BI-METAL BAND SAW BLADE DESCRIPTION				
Workpiece Thickness	Number of Teeth			
	24	18	14	14/18
1/8" (3.2 mm) and under	✓	✓		
1/8"–1/4" (3.2–6.4 mm)			✓	✓

Variable Speed Trigger Switch (Fig. A, H)

Release switch lock-off button ① by pressing button. Pull the variable speed trigger switch ② to turn the motor ON. The variable speed trigger switch will give you added versatility. The further the trigger is depressed the higher the speed of the saw. Releasing the trigger switch turns the motor OFF.

Releasing the trigger switch also automatically actuates lock-off button.

WARNING: This tool has no provision to lock the switch in the ON position, and should never be locked ON by any other means.

LED Worklight (Fig. A)

CAUTION: Do not stare into worklight. Serious eye injury could result.

There is a worklight ⑮ located above the blade. The worklight is activated when the trigger switch is depressed, and will automatically turn off 20 seconds after the trigger switch is released. If the trigger switch remains depressed, the worklight will remain on.

NOTE: The worklight is for lighting the immediate work surface and is not intended to be used as a flashlight.

OPERATION

WARNING: To reduce the risk of serious personal injury, turn unit off and remove the battery pack before making any adjustments or removing/installing attachments or accessories. An accidental start-up can cause injury.

Installing and Removing the Battery Pack (Fig. I)

NOTE: For best results, make sure your battery pack is fully charged.

To install the battery pack ⑬ into the tool handle, align the battery pack with the rails inside the tool's handle and slide it into the handle until the battery pack is firmly seated in the tool and ensure that it does not disengage.

To remove the battery pack from the tool, press the release button ⑭ and firmly pull the battery pack out of the tool handle. Insert it into the charger as described in the charger section of this manual.

Proper Hand Position (Fig. J)

WARNING: To reduce the risk of serious personal injury, ALWAYS use proper hand position as shown.

WARNING: To reduce the risk of serious personal injury, ALWAYS hold securely in anticipation of a sudden reaction.

Hold the saw firmly with one hand on the main handle ③. Keep your free hand clear of the blade area and do not allow the saw to fall against the clamped or supported material or your body when the cut is complete.

Cutting (Fig. A, H, J)

Refer to **Recommended Cutting Positions** for recommended cutting positions for various materials.

NOTE: Select and use a band saw blade that is most appropriate for the material being cut. See **Bi-Metal Band Saw Blade Description**.

This portable band saw may be hung using the hang hook ⑨, Fig. H). Hang tool on a pipe vise or other suitable, stable structure.

WARNING: When using the hang hook make sure it is secure and stable before releasing it. The saw may fall resulting in serious injury to you or others.

WARNING: To reduce the risk of injury, only use hang hook to support the weight of the tool. Never rely on the hang hook for your own support or to help you maintain your balance.

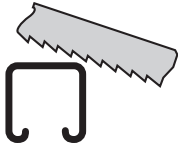
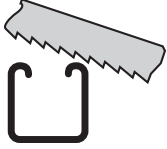
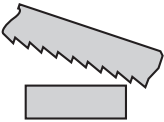
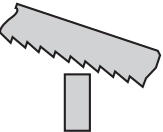
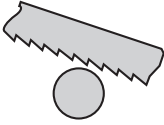
WARNING: Never attempt to use this tool by resting it upside down on a work surface and bringing the material to the tool. Always securely clamp the workpiece and bring the tool to the workpiece, securely holding the tool as shown in Figure J.

WARNING: Do not use hang hook as lanyard attachment point.

1. Material to be cut must be rigidly secure where it is or clamped in a vise or other clamping device.

- Bring the work stop **5** into contact with the workpiece while keeping the blade off of the workpiece. Turn the saw on.
- When saw reaches desired rotation speed, slowly and gently tilt the main body of the tool to bring the band saw blade into contact with the workpiece. Do not apply additional pressure in excess of the weight of the main body of the tool. Carefully avoid bringing the band saw blade suddenly and heavily into contact with the upper surface of the workpiece. This will cause serious damage to the band saw blade. To obtain maximum service life of the band saw blade, ensure there is no sudden impact at the beginning of the cutting operation.
- Straight cutting can be accomplished by keeping the band saw blade aligned perpendicular to the material. Any twisting or cocking of the blade will cause the cut to go offline and decrease the life of the blade.
NOTICE: *During cutting, if the band saw becomes locked or jammed in the workpiece material, release the switch immediately to avoid damage to the band saw blade and motor.*
- The tool's own weight provides the most efficient downward cutting pressure. Added operator pressure slows the blade and reduces blade life.
- End pieces, which would be heavy enough to cause injury when they drop, after cut-off, should be supported. Safety shoes are strongly recommended. End pieces may be hot and sharp.

Recommended Cutting Positions

YES 	NO 
YES 	NO 
YES 	

Tips for Better Cutting

The following recommendations should be used as a guide (refer to **Recommended Cutting Positions**). Results may vary with the operator and the particular material being cut.

- Never twist the band saw blade during cutting operation.
- Never use liquid coolants with portable band saws. Use of liquid coolants will cause build-up on tires and reduce performance.
- If excessive vibration occurs during the cut, ensure that the material being cut is securely clamped down. If vibration continues, change the band saw blade.
- Always keep at least 2–3 teeth engaged in the cut.

MAINTENANCE



WARNING: *To reduce the risk of serious personal injury, turn unit off and remove the battery pack before making any adjustments or removing/installing attachments or accessories. An accidental start-up can cause injury.*

Lubrication

Self-lubricating bearings are used in the tool and periodic relubrication is not required. In the unlikely event that service is ever needed, take your tool to an authorized service location.

Cleaning



WARNING: *Blow dirt and dust out of all air vents with clean, dry air at least once a week. To minimize the risk of eye injury, always wear ANSI Z87.1 approved eye protection when performing this procedure.*



WARNING: *Never use solvents or other harsh chemicals for cleaning the non-metallic parts of the tool. These chemicals may weaken the plastic materials used in these parts. Use a cloth dampened only with water and mild soap. Never let any liquid get inside the tool; never immerse any part of the tool into a liquid.*

Accessories



WARNING: *Since accessories, other than those offered by DEWALT, have not been tested with this product, use of such accessories with this tool could be hazardous. To reduce the risk of injury, only DEWALT recommended accessories should be used with this product.*

Recommended accessories for use with your tool are available at extra cost from your local dealer or authorized service center. If you need assistance in locating any accessory, please contact DEWALT call 1-800-4-DEWALT (1-800-433-9258) or visit our website: www.dewalt.com.

Repairs

The charger and battery pack are not serviceable. There are no serviceable parts inside the charger or battery pack.



WARNING: *To assure product SAFETY and RELIABILITY, repairs, maintenance and adjustment (including brush inspection and replacement, when applicable) should be performed by a DEWALT factory service center or a DEWALT authorized service center. Always use identical replacement parts.*

Register Online

Thank you for your purchase. Register your product now for:

- **WARRANTY SERVICE:** Registering your product will help you obtain more efficient warranty service in case there is a problem with your product.
- **CONFIRMATION OF OWNERSHIP:** In case of an insurance loss, such as fire, flood or theft, your registration of ownership will serve as your proof of purchase.
- **FOR YOUR SAFETY:** Registering your product will allow us to contact you in the unlikely event a safety notification is required under the Federal Consumer Safety Act.
- Register online at www.dewalt.com

Three Year Limited Warranty

DEWALT will repair or replace, without charge, any defects due to faulty materials or workmanship for three years from the date of purchase (two years for batteries). This warranty does not cover part failure due to normal wear or tool abuse. For further detail of warranty coverage and warranty repair information, visit www.dewalt.com or call 1-800-4-DEWALT (1-800-433-9258). This warranty does not apply to accessories or damage caused where repairs have been made or attempted by others. THIS LIMITED WARRANTY IS GIVEN IN LIEU OF ALL OTHERS, INCLUDING THE IMPLIED WARRANTY OF MERCHANTABILITY AND FITNESS FOR A PARTICULAR PURPOSE, AND EXCLUDES ALL INCIDENTAL OR CONSEQUENTIAL DAMAGES. Some states do not allow limitations on how long an implied warranty lasts or the exclusion or limitation of incidental or consequential damages, so these limitations may not apply to you. This warranty gives you specific legal rights and you may have other rights which vary in certain states or provinces.

In addition to the warranty DEWALT tools are covered by our:

2 YEARS FREE SERVICE

DEWALT will maintain the tool and replace worn parts caused by normal use, for free, any time during the first two years after purchase.

2 YEARS FREE SERVICE ON DEWALT BATTERY PACKS

DC9071, DC9091, DC9096, DC9182, DC9280, DC9360,
DCB120, DCB122, DCB124, DCB127, DCB201, DCB203BT,
DCB207, DCB361

3 YEARS FREE SERVICE ON DEWALT BATTERY PACKS

DCB200, DCB203, DCB204, DCB204BT, DCB205, DCB205BT,
DCB206, DCB208, DCB230, DCB240, DCB606, DCB609,
DCB612


NOTE: Battery warranty voided if the battery pack is tampered with in any way. DEWALT is not responsible for any injury caused by tampering and may prosecute warranty fraud to the fullest extent permitted by law.

90 DAY MONEY BACK GUARANTEE

If you are not completely satisfied with the performance of your DEWALT Power Tool or Nailer for any reason, you can return it within 90 days from the date of purchase with a receipt for a full refund – no questions asked.

LATIN AMERICA: This warranty does not apply to products sold in Latin America. For products sold in Latin America, see country specific warranty information contained in the packaging, call the local company or see website for warranty information.

FREE WARNING LABEL REPLACEMENT: If your warning labels become illegible or are missing, call 1-800-4-DEWALT (1-800-433-9258) for a free replacement.

 **AVERTISSEMENT : lire tous les avertissements de sécurité et toutes les directives.** Le non-respect des avertissements et des directives pourrait se solder par un choc électrique, un incendie et/ou une blessure grave.

 **AVERTISSEMENT :** afin de réduire le risque de blessures, lire le mode d'emploi de l'outil.

Usage prévu

Cette scie à ruban industrielle a été conçue pour la découpe professionnelle du métal.

Cette scie à ruban est un outil électrique de professionnels.


NE PAS les utiliser en milieu ambiant humide ou en présence de liquides ou de gaz inflammables.


NE PAS le laisser à la portée des enfants. Une supervision est nécessaire auprès de tout utilisateur non expérimenté.


Définitions : symboles et termes


d'alarmes sécurité

Ces guides d'utilisation utilisent les symboles et termes d'alarmes sécurité suivants pour vous prévenir de situations dangereuses et de risques de dommages corporels ou matériels.

 **DANGER :** indique une situation dangereuse imminente qui, si elle n'est pas évitée, entraînera la mort ou des blessures graves.


 **AVERTISSEMENT :** indique une situation potentiellement dangereuse qui, si elle n'est pas évitée, pourrait entraîner la mort ou des blessures graves.

 **ATTENTION :** indique une situation potentiellement dangereuse qui, si elle n'est pas évitée, pourrait entraîner des blessures légères ou modérées.

 (Si utilisé sans aucun terme) Indique un message propre à la sécurité.

AVIS : indique une pratique ne posant aucun risque de dommages corporels mais qui par contre, si rien n'est fait pour l'éviter, pourrait poser des risques de dommages matériels.

AVERTISSEMENTS GÉNÉRAUX SUR LA SÉCURITÉ DES OUTILS

 **AVERTISSEMENT :** lisez tous les avertissements de sécurité, toutes les instructions, les illustrations et les caractéristiques fournis avec cet outil électrique. Ne pas suivre toutes les instructions comprises aux présentes peut conduire à un choc électrique, un incendie et/ou des blessures graves.

CONSERVER TOUS LES AVERTISSEMENTS ET TOUTES LES DIRECTIVES POUR UN USAGE ULTÉRIEUR

Le terme « outil électrique » cité dans les avertissements se rapporte à votre outil électrique à alimentation sur secteur (avec fil) ou par piles (sans fil).

1) Sécurité du lieu de travail

- Tenir l'aire de travail propre et bien éclairée.** Les lieux encombrés ou sombres sont propices aux accidents.
- Ne pas faire fonctionner d'outils électriques dans un milieu déflagrant, tel qu'en présence de liquides, de gaz ou de poussières inflammables.** Les outils électriques produisent des étincelles qui pourraient enflammer la poussière ou les vapeurs.
- Éloigner les enfants et les personnes à proximité pendant l'utilisation d'un outil électrique.** Une distraction pourrait en faire perdre la maîtrise à l'utilisateur.

2) Sécurité en matière d'électricité

- Les fiches des outils électriques doivent correspondre à la prise. Ne jamais modifier la fiche d'aucune façon. Ne jamais utiliser de fiche d'adaptation avec un outil électrique mis à la terre.** Le risque de choc électrique sera réduit par l'utilisation de fiches non modifiées correspondant à la prise.
- Éviter tout contact physique avec des surfaces mises à la terre comme des tuyaux, des radiateurs, des cuisinières et des réfrigérateurs.** Le risque de choc électrique est plus élevé si votre corps est mis à la terre.
- Ne pas exposer les outils électriques à la pluie ou à l'humidité.** La pénétration de l'eau dans un outil électrique augmente le risque de choc électrique.
- Ne pas utiliser le cordon de façon abusive. Ne jamais utiliser le cordon pour transporter, tirer ou débrancher un outil électrique. Tenir le cordon éloigné de la chaleur, de l'huile, des bords tranchants et des pièces mobiles.** Les cordons endommagés ou enchevêtrés augmentent les risques de choc électrique.
- Pour l'utilisation d'un outil électrique à l'extérieur, se servir d'une rallonge convenant à cette application.** L'utilisation d'une rallonge conçue pour l'extérieur réduira les risques de choc électrique.
- S'il est impossible d'éviter l'utilisation d'un outil électrique dans un endroit humide, brancher l'outil dans une prise ou sur un circuit d'alimentation dotés d'un disjoncteur de fuite à la terre (GFCI).** L'utilisation de ce type de disjoncteur réduit les risques de choc électrique.

3) Sécurité personnelle

- Être vigilant, surveiller le travail effectué et faire preuve de jugement lorsqu'un outil électrique est utilisé. Ne pas utiliser d'outil électrique en cas de fatigue ou sous l'influence de drogues, d'alcool ou de médicaments.** Un simple moment d'inattention en utilisant un outil électrique peut entraîner des blessures corporelles graves.
- Utiliser des équipements de protection individuelle. Toujours porter une protection oculaire.** L'utilisation d'équipements de protection comme un masque antipoussière, des chaussures

antidérapantes, un casque de sécurité ou des protecteurs auditifs lorsque la situation le requiert réduira les risques de blessures corporelles.

- c) **Empêcher les démarrages intempestifs. S'assurer que l'interrupteur se trouve à la position d'arrêt avant de relier l'outil à une source d'alimentation et/ou d'insérer un bloc-piles, de ramasser ou de transporter l'outil.** Transporter un outil électrique alors que le doigt repose sur l'interrupteur ou brancher un outil électrique dont l'interrupteur est à la position de marche risque de provoquer un accident.
- d) **Retirer toute clé de réglage ou clé avant de démarrer l'outil.** Une clé ou une clé de réglage attachée à une partie pivotante de l'outil électrique peut provoquer des blessures corporelles.
- e) **Ne pas trop tendre les bras. Conserver son équilibre en tout temps.** Cela permet de mieux maîtriser l'outil électrique dans les situations imprévues.
- f) **S'habiller de manière appropriée. Ne pas porter de vêtements amples ni de bijoux. Garder les cheveux, les vêtements et les gants à l'écart des pièces mobiles.** Les vêtements amples, les bijoux ou les cheveux longs risquent de rester coincés dans les pièces mobiles.
- g) **Si des composants sont fournis pour le raccordement de dispositifs de dépoussiérage et de massage, s'assurer que ceux-ci sont bien raccordés et utilisés.** L'utilisation d'un dispositif de dépoussiérage peut réduire les dangers engendrés par les poussières.
- h) **Ne pas laisser votre connaissance acquise suite l'utilisation fréquente des outils vous permettre de baisser la garde et ignorer les principes de sécurité de l'outil.** Un acte irréfléchi peut causer une blessure grave en une fraction de seconde.

4) Utilisation et entretien d'un outil électrique

- a) **Ne pas forcer un outil électrique. Utiliser l'outil électrique approprié à l'application.** L'outil électrique approprié effectuera un meilleur travail, de façon plus sûre et à la vitesse pour laquelle il a été conçu.
- b) **Ne pas utiliser un outil électrique dont l'interrupteur est défectueux.** Tout outil électrique dont l'interrupteur est défectueux est dangereux et doit être réparé.
- c) **Débranchez la fiche de la prise électrique et, si amovible, retirez le bloc-piles de l'outil avant d'effectuer tout ajustement, changement et entreposage de celui-ci.** Ces mesures préventives réduisent les risques de démarrage accidentel de l'outil électrique.
- d) **Ranger les outils électriques hors de la portée des enfants et ne permettre à aucune personne n'étant pas familière avec un outil électrique ou son mode d'emploi d'utiliser cet outil.** Les outils électriques deviennent dangereux entre les mains d'utilisateurs inexpérimentés.

- e) **Gardez les poignées et surfaces d'emprise propres et libres de tout produit lubrifiant. Vérifier si les pièces mobiles sont mal alignées ou coincées, si des pièces sont brisées ou présentent toute autre condition susceptible de nuire au bon fonctionnement de l'outil électrique.** En cas de dommage, faire réparer l'outil électrique avant toute nouvelle utilisation. Beaucoup d'accidents sont causés par des outils électriques mal entretenus.
- f) **S'assurer que les outils de coupe sont aiguisés et propres.** Les outils de coupe bien entretenus et affûtés sont moins susceptibles de se coincer et sont plus faciles à maîtriser.
- g) **Utiliser l'outil électrique, les accessoires, les forets, etc. conformément aux présentes directives en tenant compte des conditions de travail et du travail à effectuer.** L'utilisation d'un outil électrique pour toute opération autre que celle pour laquelle il a été conçu est dangereuse.
- h) **Garder vos mains et les surfaces de prise sèches, propres et libres de graisse et de poussière.** Les mains et les surfaces de prise glissantes ne permettent pas la manutention et le contrôle sécuritaires de l'outil dans les situations imprévues.

5) Utilisation et entretien du bloc-piles

- a) **Ne recharger l'outil qu'au moyen du chargeur précisé par le fabricant.** L'utilisation d'un chargeur qui convient à un type de bloc-piles risque de provoquer un incendie s'il est utilisé avec un autre type de bloc-piles.
- b) **Utiliser les outils électriques uniquement avec les bloc-piles conçus à cet effet.** L'utilisation de tout autre bloc-piles risque de causer des blessures ou un incendie.
- c) **Lorsque le bloc-piles n'est pas utilisé, le tenir éloigné des objets métalliques, notamment des trombones, de la monnaie, des clés, des clous, des vis ou autres petits objets métalliques qui peuvent établir une connexion entre les deux bornes.** Le court-circuit des bornes du bloc-piles risque de provoquer des brûlures ou un incendie.
- d) **En cas d'utilisation abusive, le liquide peut gicler hors du bloc-piles; éviter tout contact avec ce liquide. Si un contact accidentel se produit, laver à grande eau. Si le liquide entre en contact avec les yeux, obtenir également des soins médicaux.** Le liquide qui gicle hors du bloc-piles peut provoquer des irritations ou des brûlures.
- e) **Ne pas utiliser de bloc-piles ou outil qui a été endommagé ou modifié.** Les unités endommagées ou modifiées peuvent avoir une réaction imprévisible résultant en un incendie, une explosion ou un potentiel de blessure.
- f) **Ne pas exposer de bloc-piles ou l'outil aux flammes ou à des températures excessives.** L'exposition aux flammes ou à une température au-dessus de 129 °C (265 °F) pourrait causer une explosion.

- g) **Suivre toutes les instructions de recharge et ne rechargez pas le bloc-piles ou l'outil à des températures hors de la plage de température indiquée dans les instructions.** Une recharge non conforme ou à une température hors des limites spécifiées peut endommager les piles et augmenter le risque d'incendie.


6) Réparation


- a) **Faire réparer l'outil électrique par un réparateur professionnel en n'utilisant que des pièces de rechange identiques.** Cela permettra de maintenir une utilisation sécuritaire de l'outil électriques.
- b) **Ne jamais réparer des blocs-piles endommagés.** La réparation de blocs-piles doit seulement être effectuée par le fabricant ou les fournisseurs de service autorisé.

Règles de sécurité supplémentaires pour scies à ruban


- **Tenir l'outil électrique par les surfaces isolées prévues à cet effet pendant toute utilisation où l'organe de coupe pourrait entrer en contact avec des fils électriques cachés.** Tout contact de l'organe de coupe avec un fil sous tension mettra les parties métalliques exposées de l'outil électrique sous tension et électrocutera l'utilisateur.
- **Éloigner les mains des zones et organes de coupe.**
- **S'assurer systématiquement que la scie à ruban portable est propre avant toute utilisation.**
- **Arrêter systématiquement toute opération si une anomalie quelconque est décelée.**
- **S'assurer systématiquement que tous les composants sont installés correctement et solidement avant toute utilisation de l'outil.**
- **Prendre systématiquement des précautions lors de l'installation et du retrait de la lame de la scie à ruban.**
- **Éloigner systématiquement les mains de la ligne de coupe de la scie à ruban.**
- **Attendre systématiquement que le moteur tourne à plein régime avant d'entamer une coupe.**
- **Maintenir les poignées propres et sèches, exempts d'huile ou de graisse.** Maintenir l'outil fermement pendant son utilisation.
- **Rester constamment vigilant, particulièrement lors d'opérations répétitives et monotones.** Rester systématiquement conscient de la position des mains par rapport à la lame.
- **Ne jamais retirer la butée de coupe.**
- **Se protéger de la chute de tout rebus pendant la coupe.** Ils pourraient être brûlants, coupants et/ou lourds et poser des risques de dommages corporels sérieux.

Renseignements de sécurité supplémentaires

-  **AVERTISSEMENT** : ne jamais modifier l'outil électrique ou toute pièce de celui-ci. Cela pourrait entraîner des dommages matériels ou des blessures corporelles.

-  **AVERTISSEMENT** : portez **TOUJOURS** des lunettes de sécurité. Les lunettes de tous les jours **NE SONT PAS** des lunettes de sécurité. De plus, utilisez un masque facial ou antipoussière si l'opération de coupe est poussiéreuse. **PORTEZ TOUJOURS UN ÉQUIPEMENT DE SÉCURITÉ CERTIFIÉ** :

- Protection des yeux ANSI Z87.1 (CAN/CSA Z94.3),
- protection auditive ANSI S12.6 (S3.19),
- protection respiratoire NIOSH/OSHA/MSHA.


-  **AVERTISSEMENT** : certaines poussières créées par le ponçage mécanique, le sciage, l'aiguisage, le perçage et autres activités de construction contiennent des produits chimiques reconnus dans l'État de la Californie pour causer le cancer et des anomalies congénitales ou autres effets nuisibles sur la reproduction. Certains exemples de ces produits chimiques sont :

- le plomb provenant des peintures à base de plomb,
- la silice cristallisée provenant des briques, du ciment et d'autres produits de la maçonnerie ainsi que
- l'arsenic et le chrome provenant du bois de construction traité chimiquement.

Le risque associé à de telles expositions varie selon la fréquence à laquelle on effectue ces travaux.










Pour réduire toute exposition à ces produits : travailler dans un endroit bien aéré, en utilisant du matériel de sécurité homologué, tel un masque antipoussières spécialement conçu pour filtrer les particules microscopiques.

- **Portez des vêtements protecteurs et lavez vos zones exposées avec du savon et de l'eau.** Permettre à la poussière d'entrer dans votre bouche, vos yeux ou la laisser sur la peau peut favoriser l'absorption des produits chimiques dangereux. Dirigez les particules loin du visage et du corps.
- **Utilisez le dépoussiéreur approprié pour enlever la grande majorité de la statique et de la poussière en suspension.** Ne pas enlever la statique et la poussière en suspension pourrait contaminer l'environnement de travail ou représenter un risque accru pour la santé de l'utilisateur et ceux qui sont à proximité.
- **Utilisez des pinces ou d'autres façons pratiques de sécuriser et maintenez la pièce de travail sur une plateforme stable.** Tenir le travail par une main ou contre votre corps est instable et peut mener à une perte de contrôle et une blessure.
- **Les événements couvrent souvent des pièces qui se déplacent et doivent être évités.** Des vêtements amples, les bijoux ou les cheveux longs peuvent se coincer dans des pièces qui déplacent.

-  **ATTENTION** : lorsque vous ne l'utilisez pas, placez l'outil sur le côté sur une surface stable là où cela n'entraînera pas un risque de trébuchement ou de chute. Certains outils avec de gros blocs-piles se tiendront debout sur le bloc-piles, mais ils peuvent facilement être renversés.

FRANÇAIS

L'étiquette sur votre outil peut comporter les symboles suivants. Les symboles et les définitions sont les suivants :


BPM..... battements par minute		portez une protection respiratoire
V..... volts		portez une protection oculaire
min..... minutes		Construction de classe II (à isolation double)
== ou CC..... courant continu		portez une protection auditive
.../min..... par minute		lisez toute la documentation
Tr/min..... tours par minute		évittez de fixer la lumière
A..... ampères		~ ou CA..... courant alternatif
Hz..... hertz		Ah..... ampères-heures
W..... watts		
Wh..... Wattheures		
n _{0n} vitesse à vide		
n..... vitesse nominale		
 symbole d'alertes de sécurité		

PILES ET CHARGEURS

Le bloc-piles n'est pas entièrement chargé lorsqu'il sort de la boîte. Avant d'utiliser le bloc-piles et le chargeur, lisez attentivement les instructions de sécurité suivantes, puis suivez les procédures de chargement énoncées. Lorsque vous commandez des blocs-piles de remplacement, assurez-vous d'inclure le numéro du catalogue et la tension.

LISEZ TOUTES LES INSTRUCTIONS

Consignes de sécurité importantes pour les blocs-piles

 **AVERTISSEMENT :** lisez toutes les consignes de sécurité, les instructions et les symboles d'avertissements du bloc-piles, du chargeur et du produit. Ne pas suivre les avertissements et les instructions peut entraîner un choc électrique, un incendie et/ou des blessures graves.

- **Ne pas charger ou utiliser le bloc-piles en atmosphères explosibles comme la présence de liquides inflammables, de gaz ou de poussière.** Insérer ou retirer la pile du bloc-piles peut enflammer la poussière ou les vapeurs.
- **Ne JAMAIS forcer le bloc-piles dans le chargeur. NE PAS modifier le bloc-piles de quelque façon que ce soit dans un chargeur non compatible puisque le bloc-piles peut se briser causant une blessure corporelle.** Consultez le tableau à la fin de ce guide pour la compatibilité des blocs-piles et des chargeurs.
- **Chargez les blocs-piles seulement dans les chargeurs DEWALT.**
- **NE PAS** éclabousser ou immerger dans l'eau ou tout autre liquide.
- **NE PAS** laisser l'eau ou tout liquide entre dans le bloc-piles.
- **Ne pas entreposer ou utiliser l'outil et le bloc-piles dans des endroits où la température peut atteindre ou excéder 40 °C (104 °F) (comme les remises extérieures ou les édifices en métal durant l'été).** Pour

une meilleure durée de vie, entreposez le bloc-piles dans un endroit frais et sec.

REMARQUE : Ne pas ranger les blocs-piles dans un outil avec la gâchette verrouillée. Ne jamais coller la gâchette avec du ruban adhésif en position Marche.

- **Ne pas brûler le bloc-piles même s'il est gravement endommagé ou est entièrement utilisé.** Le bloc-piles peut exploser au cours d'un incendie. Des vapeurs et des matières toxiques sont produites lorsque les blocs-piles au lithium-ion sont brûlés.
- **Ne pas exposer de bloc-piles ou l'outil aux flammes ou à des températures excessives.** L'exposition aux flammes ou à une température au-dessus de 129 °C (265 °F) pourrait causer une explosion.
- **Si le liquide des piles entre en contact avec la peau, lavez immédiatement avec de l'eau et du savon doux.** Si le liquide vient en contact avec les yeux, rincez à l'eau courante durant 15 minutes, ou jusqu'à ce que l'irritation cesse, en gardant les yeux ouverts. Pour information de consultation médicale, l'électrolyte des piles est composé d'un mélange organique liquide et de sels de lithium.
- **Le contenu des piles peut causer une irritation respiratoire.** Faites circuler de l'air frais. Si les symptômes persistent, consultez un médecin.
- **Le liquide des piles peut être inflammable s'il est exposé aux étincelles ou aux flammes.**
- **Ne jamais tenter d'ouvrir le bloc-piles pour quelque raison que ce soit. Si le boîtier du bloc-piles est fendu ou endommagé, ne pas l'insérer dans le chargeur.** Ne pas écraser, échapper ou endommager le bloc-piles. Ne pas servir d'un bloc-piles ou chargeur qui a subi un impact, a été échappé, renversé par un véhicule ou endommagé d'une façon ou d'une autre (par ex. perforé par un clou, frappé par un marteau, sur lequel on a marché). Les blocs-piles endommagés devraient être amenés/expédiés au centre de service pour recyclage.

Recommandations d'entreposage

Le meilleur lieu pour l'entreposage est un endroit frais et sec loin de la lumière directe du soleil et de la chaleur ou du froid excessif. Entreposez le bloc-piles entièrement chargé hors du chargeur.

Instructions de nettoyage du bloc-piles

La saleté et la graisse peuvent être retirées des surfaces extérieures du bloc-piles à l'aide d'un linge ou d'une brosse souple non métallique. Ne pas utiliser d'eau ou de solution nettoyante.

Blocs-piles du niveau de la jauge de carburant (Fig. B)

Certains blocs-piles incluent une jauge de carburant. Lorsque vous appuyez et maintenez, les voyants DEL indiqueront le niveau approximatif de charge restante. Cela n'indique pas la fonctionnalité de l'outil et peut varier selon les accessoires utilisés, la température et l'utilisation de l'utilisateur final.

Transport



AVERTISSEMENT : danger d'incendie. Ne pas entreposer ou transporter le bloc-piles de manière à ce que des objets métalliques puissent entrer en contact avec les bornes des piles exposées. Par exemple, ne pas placer le bloc-piles dans des tabliers, des poches, des coffres à outils, des boîtes d'ensembles de produits, des tiroirs, etc. avec des clous, des vis, des clés, les pièces de monnaie, les outils à main, etc. Lorsque vous transportez des blocs-piles individuels, assurez-vous que leurs bornes sont protégées et bien isolées de tout matériel avec lequel elles pourraient entrer en contact et causer un court-circuit.

REMARQUE : Les blocs-piles Li-Ion ne doivent pas être mises dans des bagages enregistrés sur les avions et doivent être bien protégées contre les courts-circuits si elles sont dans des bagages à main.

Le sceau SRPRC^{MD}

Veillez apporter vos blocs-piles usagés dans un centre de services DEWALT autorisé ou chez votre détaillant local pour les recycler. Dans certaines régions, il est illégal de mettre les blocs-piles usagés à la poubelle. Vous pouvez aussi contacter votre centre de recyclage local pour des informations sur les endroits où déposer le bloc-piles usagé. Ne pas mettre dans la collecte sélective. Pour de plus amples renseignements, visitez www.call2recycle.org ou appelez au numéro sans frais dans le sceau SRPRC^{MD}.

SRPRC^{MD} est une marque de commerce déposée de Call 2 Recycle, Inc.



Consignes de sécurité importantes pour tous les chargeurs de piles



AVERTISSEMENT : lisez toutes les consignes de sécurité, les instructions et les symboles d'avertissements du bloc-piles, du chargeur et du produit. Ne pas suivre les avertissements et les instructions peut entraîner un choc électrique, un incendie et/ou des blessures graves.

- **NE PAS tenter de charger le bloc-piles avec un chargeur autre qu'un chargeur DEWALT.** DEWALT chargers et les blocs-piles sont spécifiquement conçus pour fonctionner ensemble.
- **Ces chargeurs ne sont pas conçus pour toute utilisation autre que le chargement DEWALT.** Les autres types de chargement de blocs-piles peuvent causer la surchauffe et l'éclatement de ceux-ci, entraînant une blessure corporelle, des dommages matériels, un choc électrique ou une électrocution.
- **Ne pas exposer le chargeur à la pluie ou la neige.**
- **Ne pas laisser l'eau ou tout liquide entrer dans le bloc-piles.**
- **Tirez la fiche au lieu du cordon lorsque vous débranchez le chargeur.** Cela réduira le risque d'endommager la fiche et le cordon électriques.
- **Assurez-vous de ne pas placer le cordon là où il pourrait faire trébucher les passants ou être endommagé de quelque façon que ce soit.**
- **Ne pas utiliser une rallonge à moins que ce ne soit absolument nécessaire.** L'utilisation d'une rallonge inadéquate pourrait entraîner un risque d'incendie un choc électrique ou une électrocution.
- **Lors de l'utilisation d'un chargeur à l'extérieur, gardez-le toujours au sec et utilisez une rallonge appropriée pour l'extérieur.** L'utilisation d'une rallonge appropriée pour l'extérieur réduit le risque de choc électrique.
- **Une rallonge doit avoir un calibre de fil (AWG ou calibrage américain normalisé des fils) approprié pour la sécurité.** Plus le numéro de calibre du fil est petit, plus le cordon est lourd et par conséquent plus sa capacité est grande. Un cordon de taille inférieure entraînera une chute de tension de secteur ce qui causera une perte de puissance et une surchauffe. Le tableau suivant affiche la bonne taille à utiliser selon longueur totale des de toutes les rallonges branchées ensemble et l'intensité nominale de la plaque signalétique. En cas de doute, utilisez le calibre le plus lourd suivant.

Calibre minimum pour rallonges électriques

Volts		Longueur totale de la rallonge en pieds (mètres)			
120V		25 (7,6)	50 (15,2)	100 (30,5)	150 (45,7)
Courant nominal		AWG (American Wire Gauge)			
Plus de	Pas plus de				
0	6	18	16	16	14
6	10	18	16	14	12
10	12	16	16	14	12
12	16	14	12	Non recommandé	

- **Ne pas placer tout objet sur le dessus du chargeur ou placer le chargeur sur une surface molle qui pourrait bloquer les fentes de ventilation et entraîner une chaleur interne excessive.** Placez le chargeur loin de toute source de chaleur. Le chargeur est ventilé grâce aux fentes du dessus et du bas du boîtier.
- **Ne pas utiliser le chargeur avec un cordon ou une fiche endommagé.** Faites-les remplacer immédiatement.
- **Ne pas utiliser le chargeur s'il a reçu un choc violent, s'il a été échappé ou est autrement endommagé de quelque façon que ce soit.** Apportez-le dans un centre de services autorisé.
- **Ne pas démonter le chargeur; apportez-le dans un centre de services autorisé lorsqu'un entretien ou une réparation est nécessaire.** Un mauvais réassemblage peut entraîner un danger de choc électrique, une électrocution ou un incendie.
- **Le chargeur est conçu pour fonctionner sur une alimentation électrique domestique 120 V. Ne pas essayer de l'utiliser sur toute autre tension.** Cela ne s'applique pas au chargeur véhiculaire.
- **Les matières étrangères conductrices telles, mais sans s'y limiter, les poussières de meulage, les copeaux métalliques, la laine d'acier, le papier d'aluminium**

ou toute accumulation de particules métalliques devrait être éloignée des ouvertures du chargeur et des fentes de ventilation.

- **Débranchez toujours le chargeur de l'alimentation lorsqu'il n'y a aucun bloc-piles à l'intérieur.**

Charger une pile (Fig. C)

1. Branchez le chargeur dans une prise appropriée.
2. Insérez et appuyez complètement le bloc-piles. Le voyant de chargement rouge clignotera constamment pendant le chargement.
3. Le chargement est terminé lorsque le voyant rouge reste allumé en permanence. Le bloc-piles peut être laissé dans le chargeur ou retiré. Certains chargeurs nécessitent d'appuyer sur le bouton de libération du bloc-piles pour les retirer.



AVERTISSEMENT : chargez les batteries uniquement à une température de l'air supérieure à 4,5 °C (40 °F) et inférieure à +40,5 °C (105 °F).

4. Le chargeur ne charge pas un bloc-piles défectueux, ce qui peut être indiqué par le voyant qui reste éteint. Apportez le chargeur et le bloc-piles dans un centre de services autorisés si le voyant reste éteint.

REMARQUE : Consultez l'étiquette près du voyant de chargement sur le chargeur pour les modèles de clignotement. Les vieux chargeurs peuvent avoir des renseignements supplémentaires et/ou peuvent ne pas avoir un voyant jaune. Older chargers may have additional information and/or may not have a yellow indicator light.

Délai en cas de bloc chaud ou froid

Lorsque le chargeur détecte un bloc-piles qui est trop chaud ou trop froid, il démarre automatiquement le délai pour le bloc chaud/froid, suspendant la recharge jusqu'à ce que la température du bloc-piles ait atteint une température appropriée. Le chargeur passe alors automatiquement en mode de chargement du bloc-piles. Cette fonction assure une durée de vie maximale du bloc-piles.

Un bloc-piles froid peut se charger à une vitesse plus lente qu'un bloc-piles chaud.

Le délai du bloc chaud/froid sera indiqué par le voyant rouge continuant à clignoter, mais avec le voyant jaune restant allumé. Une fois que le bloc-piles aura atteint la température appropriée, le voyant jaune s'éteindra et le chargeur reprendra la procédure de chargement.

Chargeurs DCB118 et DCB112

Les chargeurs DCB118 et DCB112 sont munis d'un ventilateur interne conçu pour refroidir le bloc-piles. Le ventilateur se mettra automatiquement en marche lorsque le bloc-piles devra être refroidi.

Système de protection électronique

Les outils Li-Ion sont conçus avec un système de protection électronique qui protégera le bloc-piles contre une surcharge, une surchauffe et une importante décharge. L'outil s'éteindra automatiquement et le bloc-piles devra être rechargé.

Remarques importantes sur le chargement

1. Le chargeur et le bloc-piles peuvent devenir chauds au toucher durant le chargement. C'est un état normal et cela n'indique pas un problème. Pour faciliter le refroidissement du bloc-piles après l'utilisation, évitez de placer le chargeur ou le bloc-piles dans un environnement chaud comme une remise en métal ou une remorque non isolée.
2. Si le bloc-piles ne charge pas de adéquatement :
 - a. Vérifiez le fonctionnement de la prise en branchant une lampe ou un autre appareil;
 - b. Vérifiez si la prise d'alimentation est connectée à un interrupteur de lumière qui s'éteint lorsque vous éteignez les lumières;
 - c. Si les problèmes de chargement persistent, apportez l'outil, le bloc-piles et le chargeur dans votre centre de services local.
3. Vous pouvez charger un bloc partiellement utilisé au moment désiré sans effet indésirable sur le bloc-piles.

Instructions de nettoyage du chargeur



AVERTISSEMENT : danger de choc électrique. Débranchez le chargeur de la prise CA avant de nettoyer. La saleté et la graisse peuvent être retirées des surfaces extérieures du chargeur à l'aide d'un linge ou d'une brosse souple non métallique. Ne pas utiliser d'eau ou de solution nettoyante.

Montage mural

Certains chargeurs DeWALT sont conçus pour pouvoir être installés au mur ou être placés verticalement sur une table ou une surface de travail. Pour la fixation au mur, placez le chargeur près d'une prise de courant et loin d'un coin ou d'autres obstructions qui peuvent nuire à la circulation de l'air. Utilisez la base du chargeur comme modèle pour l'emplacement des vis de montage sur le mur. Fixez solidement le chargeur à l'aide de vis pour cloison sèche (achetées séparément) d'au moins 25,4 mm (1 po) de longueur avec tête de diamètre de 7 à 9 mm (0,28 à 0,35 po) vissées dans du bois à une profondeur optimale en laissant exposée une partie de vis d'environ 5,5 mm (7/32 po). Alignez les fentes au dos du chargeur avec les vis exposées et insérez-les entièrement dans les fentes.

CONSERVEZ CES INSTRUCTIONS POUR UTILISATION ULTÉRIEURE

ASSEMBLAGE ET AJUSTEMENTS



AVERTISSEMENT : afin de réduire le risque de blessure corporelle, éteignez l'appareil et retirez le bloc-piles avant d'effectuer tout ajustement ou de retirer/installer des pièces ou des accessoires. Un déclenchement accidentel du démarrage peut causer des blessures.

Installation et retrait des lames

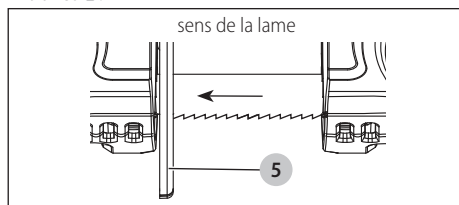


ATTENTION : réduisez les dangers. Le levier de tension de la lame est sous pression à ressort. Maintenez le contrôle du levier pour libérer la tension de la lame.

AVERTISSEMENT : portez **TOUJOURS** des gants lorsque vous touchez la lame de scie.

Pour installer la lame (Fig. A, D-F)

1. Tournez le levier de tension de la lame 7 dans le sens des aiguilles d'une montre sur 180 degrés jusqu'à l'arrêt pour libérer la tension de la lame (consultez la Figure A).
2. Retournez la scie et placez-la sur un établi ou une table.
3. Déverrouillez les deux loquets du protecteur de lame 11 et ouvrez le protecteur de la lame.
4. Placez la lame de sorte que les dents soient orientées vers l'extérieur de la scie et inclinées vers la butée d'arrêt 5.



5. Glissez la lame dans les rouleaux de guidage 17 et autour des deux poulies 16 comme illustré à la Figure D.
6. Assurez-vous que la lame est complètement insérée dans les rouleaux de guidage, qu'elle repose entièrement sur les roues en caoutchouc 19 et qu'elle effleure les roulements de guide arrière 18.
7. Tournez le levier de tension de la lame 7 dans le sens inverse des aiguilles d'une montre puis fermez le protecteur de lame et fermez les loquets. Assurez-vous que les dents sont orientées à l'écart de la scie à ruban (Fig. A, D).
8. Allumez et éteignez la scie à plusieurs reprises pour vérifier que la lame est correctement insérée.

Pour retirer la lame (Fig. A, D-F)

1. Tournez le levier de tension de la lame 7 dans le sens des aiguilles d'une montre sur 180 degrés jusqu'à l'arrêt pour libérer la tension de la lame (consultez la Figure A).
2. Retournez la scie et placez-la sur un établi ou une table.
3. Déverrouillez les deux loquets du protecteur de lame et ouvrez le protecteur de la lame.
4. En retirant la lame, la tension peut être libérée et la lame peut sauter. **LES LAMES DE SCIE SONT TRANCHANTES. MANIPULEZ-LES AVEC PRUDENCE.**
5. Inspectez les rouleaux de guidage 17 et retirez les gros copeaux qui peuvent s'y être incrustés. Les copeaux incrustés peuvent empêcher la rotation des rouleaux de guidage et provoquer des zones plates à leur surface.
6. Les roues en caoutchouc 19 sont montées sur les poulies 16. Les roues en caoutchouc doivent être inspectées en termes de desserrage ou de détérioration lors du changement de lame. Éliminez les copeaux des roues en caoutchouc avec une brosse.

REMARQUE : Ne les éliminez pas avec les mains.

Ainsi, la durée de service de la roue est prolongée et la lame ne patine pas. En cas de desserrage ou de détérioration, l'outil doit être apporté dès que possible à

un centre de service agréé DEWALT pour réparation ou remplacement. Poursuivre l'utilisation de l'outil avec des roues en caoutchouc desserrées ou endommagées peut provoquer une course instable de la lame de scie à ruban.

7. Fermez le protecteur de lame et fermez les deux loquets de protecteur de la lame. Tournez le levier de tension de la lame 7 dans le sens inverse des aiguilles d'une montre sur 180 degrés jusqu'à l'arrêt.

Passage de la lame (Fig. A, E, G)

AVERTISSEMENT : afin de réduire le risque de blessure corporelle grave, éteignez l'outil et retirez le bloc-piles avant d'effectuer tout ajustement ou de retirer/installer des pièces ou des accessoires. Un démarrage accidentel peut causer des blessures.

AVIS : le serrage excessif des vis de réglage peut endommager la scie.

Votre scie à ruban est équipée d'un mécanisme de passage de lame réglable qui assure en permanence le passage correct de la lame. La lame est correctement réglée lorsqu'elle repose complètement sur les roues en caoutchouc 19 et qu'elle effleure un des roulements de guidage arrière ou les deux 18.

Pour régler le passage de lame

1. Tournez et ouvrez le levier de tension de la lame 7 pour permettre l'accès à la vis de passage 12.
2. Utilisez une clé de 10 mm pour desserrer l'écrou de blocage 6 (Fig. G).
3. Utilisez une clé hexagonale de 3 mm 4 pour tourner la vis de passage 12 de 1/4 de tour dans le sens des aiguilles d'une montre ou à l'inverse des aiguilles d'une montre (Fig. G).

REMARQUE : Tourner la vis de passage dans le sens des aiguilles d'une montre déplace la lame vers le rouleau de guidage, la tourner dans le sens inverse des aiguilles d'une montre écarte la lame du rouleau de guidage.

4. Serrez l'écrou de blocage et fermez le levier de tension de la lame et le protecteur de lame. (Il est nécessaire de faire tourner la scie pour observer le passage de lame.)
5. Observez le passage de la lame entre les cycles et répétez les étapes 1 à 4 nécessaires pour obtenir un passage adéquat.

Lames

Cette scie à ruban portable a été conçue pour être utilisée avec des lames de 0,5 mm (0,02 po) d'épaisseur, 12,7 mm (1/2 po) de largeur et 686 mm–692 mm (27 po – 27-1/4 po) de longueur. **NE PAS** utiliser de lames de 0,64 mm (0,025 po) d'épaisseur.

AVERTISSEMENT : l'utilisation de toute autre lame ou tout autre accessoire comporte des risques. **NE PAS** utiliser tout autre type d'accessoire avec votre scie à ruban. Les lames utilisées sur des scies à ruban fixes sont d'épaisseurs différentes. Ne pas tenter de les utiliser sur votre outil portable.

Sélection de la lame

De façon générale, considérez d'abord la taille et la forme de la pièce à travailler ainsi que le type de matériau à couper.

Rappelez-vous que, pour une coupe optimale, il est conseillé d'utiliser la denture de scie la plus grosse possible pour une application donnée, car plus la denture est grosse, plus la coupe est rapide. Lorsque vous choisissez le nombre approprié de dents par pouce sur la lame de scie à ruban, deux dents au minimum devraient se trouver en contact avec la surface de la pièce à travailler lorsque la lame s'y appuie. En règle générale, les matériaux tendres requièrent des lames à grosse denture, alors que les matériaux durs, des lames à denture fine. Lorsqu'un fini plus lisse est requis, choisissez une lame à denture plus fine.

Choisissez la lame de scie à ruban appropriée selon le type de matériau et ses dimensions, et le nombre de dents.

Se reporter au tableau **Description de la lame de scie à ruban bimétallique**.

Le tableau suivant ne se veut être qu'un guide général.

Déterminer le type de matériau, les dimensions de la pièce à travailler puis choisir la lame de scie à ruban la plus appropriée.

AVIS : ne jamais utiliser la scie à ruban pour couper des matériaux en résine, car ceux-ci pourraient fondre. La fonte du matériau en résine causée par la forte chaleur générée lors de la coupe peut faire que la lame de la scie à ruban reste collée au matériau, et provoquer surchauffe et grillage du moteur.

DESCRIPTION DE LA LAME DE SCIE À RUBAN BIMÉTALLIQUE				
	Nombre de dents			
Épaisseur de la pièce	24	18	14	14/18
Égal ou inférieur à 3,2 mm (1/8 po)	✓	✓		
3,2–6,4 mm (1/8 po–1/4 po)			✓	✓

Interrupteur (Fig. A, H)

Relâcher le bouton de verrouillage en position d'arrêt ① en l'enfonçant, puis tirer sur l'interrupteur à gâchette ② pour mettre le moteur en marche; relâcher l'interrupteur à gâchette pour arrêter le moteur. **On peut aussi actionner automatiquement le bouton de verrouillage en position d'arrêt en relâchant l'interrupteur.**

AVERTISSEMENT : cet outil n'a aucun mécanisme destiné à verrouiller l'interrupteur en position de marche; on ne doit jamais le verrouiller dans cette position par quelque moyen que ce soit.

Lampe de travail (Fig. A)

ATTENTION : ne pas regarder directement le faisceau de la lampe. Risque de lésions oculaires graves.

Une lampe de travail ⑮ est située au-dessus de la lame. La lampe de travail est activée lorsque la gâchette sera activée et elle s'éteindra automatiquement 20 secondes après la désactivation de la gâchette. Tant que la gâchette reste activée, la lampe de travail reste allumée.

REMARQUE : la lampe de travail permet d'éclairer la surface immédiate et n'est pas destinée à servir de lampe de poche.

FONCTIONNEMENT

AVERTISSEMENT : afin de réduire le risque de blessure corporelle, éteignez l'appareil et retirez le bloc-piles avant d'effectuer tout ajustement ou de retirer/installer des pièces ou des accessoires.

Un déclenchement accidentel du démarrage peut causer des blessures.

Installation et retrait du bloc-piles (Fig. I)

REMARQUE : Pour une meilleure performance, assurez-vous que le bloc-piles est complètement chargé.

Pour installer le bloc-piles ⑬ dans l'outil, alignez le bloc-piles avec les glissières à l'intérieur de la poignée de l'outil et glissez-le dans la poignée jusqu'à ce que le bloc-piles soit bien placé dans l'outil et assurez-vous qu'il est enclenché.

Pour retirer le bloc-piles de l'outil, appuyez sur le bouton de libération ⑭ et tirez-le fermement hors de la poignée de l'outil. Insérez-le dans le chargeur comme indiqué dans la section du chargeur du présent manuel.

Position correcte des mains (Fig. J)

AVERTISSEMENT : pour réduire tout risque de dommages corporels graves, adopter **SYSTÉMATIQUEMENT** la position des mains illustrée.

AVERTISSEMENT : pour réduire tout risque de dommages corporels graves, maintenir **SYSTÉMATIQUEMENT** l'outil fermement pour anticiper toute réaction soudaine.

Lorsque c'est possible, tenez la scie solidement avec les deux mains ③. Gardez votre main libre à l'écart de la zone de la lame et ne laissez pas la scie tomber contre le matériau fixé ou soutenu ou votre corps lorsque la coupe est terminée.

Coupe (Fig. A, H, J)

Se reporter à la **Positions de coupe recommandées** pour voir les positions de coupe recommandées pour différents matériaux.

REMARQUE : choisissez et utilisez la lame de scie à ruban la plus appropriée au matériau à découper. Se reporter à la section **Description de la lame de scie à ruban bimétallique**.

Cette scie à ruban portable peut être suspendue grâce au crochet (⑨, Fig. H). Accrochez l'outil à un étau à tube ou toute autre structure stable adéquate.

AVERTISSEMENT : lorsque vous utilisez le crochet de suspension, assurez-vous qu'il est sécuritaire et stable avant de le libérer. La scie peut échapper et occasionner de graves blessures, pour vous comme pour d'autres personnes.

AVERTISSEMENT : pour réduire tout risque de dommages corporels, utiliser le crochet uniquement pour supporter le poids de l'outil. Ne jamais dépendre sur le crochet pour soutenir votre propre poids ou pour vous aider à maintenir votre équilibre.

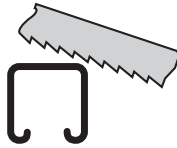
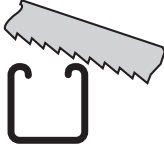
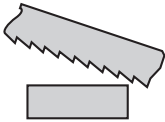
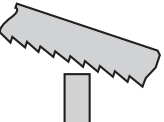
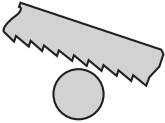
AVERTISSEMENT : n'utilisez jamais l'outil posé sur une surface de travail en amenant le matériau à l'outil. Serrez toujours la pièce de travail solidement et apportez l'outil à la pièce de travail, en tenant l'outil solidement comme illustré à la Figure J.

1. Le matériau doit à couper doit être sécurisé de façon rigide à son emplacement ou serré dans un étau ou autre dispositif de fixation.
2. Mettez la butée de coupe **5** en contact avec la pièce à travailler sans toucher la pièce avec la lame. Mettez la scie en marche.
3. Lorsque la scie atteint la vitesse de rotation désirée, inclinez lentement et fermement le corps de l'outil pour mettre la lame de la scie à ruban en contact avec la pièce. Évitez d'appliquer toute pression autre que celle créée par le poids du corps principal de l'outil. Évitez soigneusement de mettre soudainement et abruptement la lame de la scie à ruban en contact avec la surface supérieure de la pièce. Cela pourrait endommager sérieusement la lame de la scie à ruban. Pour allonger la durée de vie de la lame de la scie à ruban, évitez systématiquement tout impact soudain au début de toute opération de coupe.
4. Une coupe droite peut être effectuée en maintenant la lame de la scie à ruban alignée perpendiculairement au matériau. Toute torsion ou inclinaison de la lame fera dériver la coupe et réduira la durée de vie de la lame.

AVIS : pendant la coupe, si la scie à ruban se bloque ou se coince dans le matériau de la pièce, relâchez immédiatement la gâchette pour éviter d'endommager la lame de la scie à ruban et son moteur.

5. Le propre poids de l'outil produit la pression de coupe la plus efficace. Toute pression additionnelle de l'opérateur freine la lame et réduit sa durée de vie.
6. Les extrémités de pièces assez lourdes pour causer des dommages corporels en tombant, doivent être étayées. Des souliers de sécurité sont fortement recommandés. Les extrémités de pièces peuvent être brûlantes et acérées.

Positions de coupe recommandées

OUI 	NON 
OUI 	NON 
OUI 	

Conseils pour améliorer les coupes

Les recommandations suivantes doivent vous servir de guide (reportez-vous **Positions de coupe recommandées**). Les résultats peuvent varier selon l'opérateur et le matériau particulier à découper.

- Ne déformez jamais la lame de la scie à ruban pendant l'opération de coupe.
- N'utilisez jamais de réfrigérants fluides avec les scies à ruban portables. L'utilisation de ces derniers pourrait laisser un dépôt sur les pneus et affecter les performances de l'outil.
- En cas de vibrations excessives pendant la coupe, assurez-vous que le matériau à découper est fermement arrimé. Si le problème persiste, changez la lame de la scie à ruban.
- Maintenez toujours au moins 2 ou 3 dents engagées dans la coupe.

MAINTENANCE



AVERTISSEMENT : afin de réduire le risque de blessure corporelle, éteignez l'appareil et retirez le bloc-piles avant d'effectuer tout ajustement ou de retirer/installer des pièces ou des accessoires.

Un déclenchement accidentel du démarrage peut causer des blessures.

Lubrification

Des roulements auto-lubrifiants sont utilisés dans cet appareil et aucune lubrification périodique n'est nécessaire. Dans l'éventualité peu probable où une maintenance s'avérerait nécessaire, amenez l'outil dans un centre de réparation agréé.

Nettoyage



AVERTISSEMENT : enlever les saletés et la poussière hors des événements au moyen d'air comprimé propre et sec, au moins une fois par semaine. Pour minimiser le risque de blessure aux yeux, toujours porter une protection oculaire conforme à la norme ANSI Z87.1 lors du nettoyage.



AVERTISSEMENT : ne jamais utiliser de solvants ni d'autres produits chimiques puissants pour nettoyer les pièces non métalliques de l'outil. Ces produits chimiques peuvent affaiblir les matériaux de plastique utilisés dans ces pièces. Utiliser un chiffon humecté uniquement d'eau et de savon doux. Ne jamais laisser de liquide pénétrer dans l'outil et n'immerger aucune partie de l'outil dans un liquide.

Accessoires



AVERTISSEMENT : puisque les accessoires autres que ceux offerts par DEWALT n'ont pas été testés avec ce produit, leur utilisation pourrait s'avérer dangereuse. Pour réduire le risque de blessures, utiliser exclusivement les accessoires DEWALT recommandés avec le présent produit.

Les accessoires recommandés pour cet outil sont vendus séparément au centre de service de votre région. Pour obtenir de l'aide concernant l'achat d'un accessoire, communiquer avec DEWALT, composer le 1 800 433-9258 (1 800 4-DEWALT) ou visiter notre site Web : www.dewalt.com.

Réparations

Le chargeur et le bloc-piles ne sont pas réparables. Le chargeur ou le bloc-piles ne comportent aucune pièce réparable.



AVERTISSEMENT : pour assurer la SÉCURITÉ et la FIABILITÉ du produit, les réparations, l'entretien et les réglages doivent être réalisés (cela comprend l'inspection et le remplacement du balai, le cas échéant) par un centre de réparation en usine DEWALT ou un centre de réparation agréé DEWALT. Toujours utiliser des pièces de rechange identiques.

Registre en ligne

Merci pour votre achat. Enregistrez dès maintenant votre produit :

- **RÉPARATIONS SOUS GARANTIE** : cette carte remplie vous permettra de vous prévaloir du service de réparations sous garantie de façon plus efficace dans le cas d'un problème avec le produit.
- **CONFIRMATION DE PROPRIÉTÉ** : en cas de perte provoquée par un incendie, une inondation ou un vol, cette preuve de propriété vous servira de preuve auprès de votre compagnie d'assurances.
- **SÉCURITÉ** : l'enregistrement de votre produit nous permettra de communiquer avec vous dans l'éventualité

peu probable de l'envoi d'un avis de sécurité régi par la loi fédérale américaine de la protection des consommateurs.

- Registre en ligne à www.dewalt.com.

Garantie limitée de trois ans

DEWALT réparera ou remplacera sans frais tout appareil défectueux pour cause de défaut de matériau ou de main-d'œuvre sur une période de trois ans à partir de la date d'achat de l'outil (deux ans pour les bloc-piles). Cette garantie ne couvre pas les pièces en panne pour cause d'abus ou d'usure normale de l'outil. Pour plus de détails au sujet de la couverture de la garantie et l'information de réparation sous garantie, visitez www.dewalt.com ou composez le 1-800-4-DEWALT (1-800-433-9258). Cette garantie ne s'applique pas aux accessoires ou dommages causés par des réparations effectuées ou tentées par d'autres. CETTE GARANTIE REMPLACE TOUTES LES AUTRES, INCLUANT LES GARANTIES IMPLICITES DE LA QUALITÉ MARCHANDE ET L'APTITUDE POUR UN BUT PARTICULIER, ET EXCLUT TOUS LES DOMMAGES ACCIDENTELS OU CONSÉCUTIFS. Certaines provinces ne permettent pas de limitation sur la durée de la garantie implicite ou l'exclusion ou la limitation de dommages indirects, alors ces limitations peuvent ne pas s'appliquer à vous. Cette garantie vous donne des droits légaux particuliers et vous pouvez avoir d'autres droits qui varient selon les états ou les provinces.

En plus de la présente garantie, les outils DEWALT sont couverts par notre

CONTRAT D'ENTRETIEN GRATUIT D'UN AN

DEWALT entretiendra l'outil et remplacera les pièces usées au cours d'une utilisation normale et ce, gratuitement, pendant une période d'un an à compter de la date d'achat.

CONTRAT D'ENTRETIEN GRATUIT DE DEUX ANS SUR LES BLOC-PILES DEWALT

DC9071, DC9091, DC9096, DC9182, DC9280, DC9360, DCB120, DCB122, DCB124, DCB127, DCB201, DCB203BT, DCB207, DCB361

CONTRAT D'ENTRETIEN GRATUIT DE TROIS ANS SUR LES BLOC-PILES DEWALT

DCB200, DCB203, DCB204, DCB204BT, DCB205, DCB205BT, DCB206, DCB208, DCB230, DCB240, DCB606, DCB609, DCB612

REMARQUE : la garantie de ce produit sera annulée si le bloc-piles a été altéré de quelque façon que ce soit. DEWALT ne peut être tenu responsable de tout dommage corporel causé par l'altération du produit et pourra poursuivre toute fraude en matière de garantie dans toute l'étendue permise par la loi.

GARANTIE DE REMBOURSEMENT DE 90 JOURS

Si l'acheteur n'est pas entièrement satisfait, pour quelque raison que ce soit, du rendement de l'outil électrique ou de la cloueuse DEWALT, celui-ci peut le retourner, accompagné d'un reçu, dans les 90 jours à compter de la date d'achat pour obtenir un remboursement intégral, sans aucun problème.

AMÉRIQUE LATINE : cette garantie ne s'applique aux produits vendus en Amérique latine. Pour ceux-ci, veuillez

consulter les informations relatives à la garantie spécifique présente dans l'emballage, appeler l'entreprise locale ou consulter le site Web pour les informations relatives à cette garantie.

REPLACEMENT GRATUIT DES ÉTIQUETTES

D'AVERTISSEMENT : si les étiquettes d'avertissement deviennent illisibles ou sont manquantes, composer le 1-800-4-DEWALT (**1-800-433-9258**) pour en obtenir le remplacement gratuit.



ADVERTENCIA: *Lea todas las advertencias de seguridad e instrucciones. El incumplimiento de las advertencias e instrucciones puede provocar descargas eléctricas, incendios o lesiones graves.*



ADVERTENCIA: *Para reducir el riesgo de lesiones, lea el manual de instrucciones.*

Uso Debido

Esta sierra de banda para trabajo pesado ha sido diseñada para aplicaciones profesionales de corte de metales.

Esta sierra de banda es una herramienta eléctrica profesional.

NO utilice la herramienta en condiciones de húmedas o en presencia de líquidos o gases inflamables.

NO permita que los niños toquen la herramienta. Si el operador no tiene experiencia operando esta herramienta, su uso deberá ser supervisado.

Definiciones: Símbolos y Palabras de Alerta de Seguridad

Este manual de instrucciones utiliza los siguientes símbolos y palabras de alerta de seguridad para alertarle de situaciones peligrosas y del riesgo de lesiones corporales o daños materiales.



PELIGRO: *Indica una situación de peligro inminente que, si no se evita, provocará la muerte o lesiones graves.*



ADVERTENCIA: *Indica una situación de peligro potencial que, si no se evita, podría provocar la muerte o lesiones graves.*



ATENCIÓN: *Indica una situación de peligro potencial que, si no se evita, posiblemente provocaría lesiones leves o moderadas.*



(Utilizado sin palabras) indica un mensaje de seguridad relacionado.

AVISO: *Se refiere a una práctica no relacionada a lesiones corporales que de no evitarse puede resultar en daños a la propiedad.*

ADVERTENCIAS GENERALES DE SEGURIDAD PARA HERRAMIENTAS ELÉCTRICAS



ADVERTENCIA: *Lea todas las advertencias de seguridad, instrucciones, ilustraciones y especificaciones incluidas con esta herramienta eléctrica. La falla en seguir todas las instrucciones siguientes puede resultar en descarga eléctrica, incendio y/o lesiones serias.*

CONSERVE TODAS LAS ADVERTENCIAS E INSTRUCCIONES PARA FUTURAS CONSULTAS

El término "herramienta eléctrica" incluido en las advertencias hace referencia a las herramientas eléctricas operadas con corriente (con cable eléctrico) o a las herramientas eléctricas operadas con baterías (inalámbricas).

1) Seguridad en el Área de Trabajo

- Mantenga el área de trabajo limpia y bien iluminada.** *Las áreas abarrotadas y oscuras propician accidentes.*
- No opere las herramientas eléctricas en atmósferas explosivas, como ambientes donde haya polvo, gases o líquidos inflamables.** *Las herramientas eléctricas originan chispas que pueden encender el polvo o los vapores.*
- Mantenga alejados a los niños y a los espectadores de la herramienta eléctrica en funcionamiento.** *Las distracciones pueden provocar la pérdida de control.*

2) Seguridad Eléctrica

- Los enchufes de la herramienta eléctrica deben adaptarse al tomacorriente. Nunca modifique el enchufe de ninguna manera. No utilice ningún enchufe adaptador con herramientas eléctricas con conexión a tierra.** *Los enchufes no modificados y que se adaptan a los tomacorrientes reducirán el riesgo de descarga eléctrica.*
- Evite el contacto corporal con superficies con descargas a tierra como, por ejemplo, tuberías, radiadores, cocinas eléctricas y refrigeradores.** *Existe mayor riesgo de descarga eléctrica si su cuerpo está puesto a tierra.*
- No exponga las herramientas eléctricas a la lluvia o a condiciones de humedad.** *Si entra agua a una herramienta eléctrica, aumentará el riesgo de descarga eléctrica.*
- No maltrate el cable. Nunca utilice el cable para transportar, tirar o desenchufar la herramienta eléctrica. Mantenga el cable alejado del calor, el aceite, los bordes filosos y las piezas móviles.** *Los cables dañados o enredados aumentan el riesgo de descarga eléctrica.*
- Al operar una herramienta eléctrica en el exterior, utilice un cable prolongador adecuado para tal uso.** *Utilice un cable adecuado para uso en exteriores a fin de reducir el riesgo de descarga eléctrica.*
- Si el uso de una herramienta eléctrica en un lugar húmedo es imposible de evitar, utilice un suministro protegido con un interruptor de circuito por falla a tierra (GFCI).** *El uso de un GFCI reduce el riesgo de descargas eléctricas.*

3) Seguridad Personal

- Permanezca alerta, controle lo que está haciendo y utilice el sentido común cuando emplee una herramienta eléctrica. No utilice una herramienta eléctrica si está cansado o bajo el efecto de drogas, alcohol o medicamentos.** *Un momento de descuido mientras se opera una herramienta eléctrica puede provocar lesiones personales graves.*
- Utilice equipos de protección personal. Siempre utilice protección para los ojos.** *En las condiciones adecuadas, el uso de equipos de protección,*

como máscaras para polvo, calzado de seguridad antideslizante, cascos o protección auditiva, reducirá las lesiones personales.

- c) **Evite el encendido por accidente. Asegúrese de que el interruptor esté en la posición de apagado antes de conectarlo a la fuente de energía o paquete de baterías, o antes de levantar o transportar la herramienta.** Transportar herramientas eléctricas con el dedo apoyado en el interruptor o enchufar herramientas eléctricas con el interruptor en la posición de encendido puede propiciar accidentes.
- d) **Retire la clavija de ajuste o la llave de tuercas antes de encender la herramienta eléctrica.** Una llave de tuercas o una clavija de ajuste que quede conectada a una pieza giratoria de la herramienta eléctrica puede provocar lesiones personales.
- e) **No se estire. Conserve el equilibrio y párese adecuadamente en todo momento.** Esto permite un mejor control de la herramienta eléctrica en situaciones inesperadas.
- f) **Use la vestimenta adecuada. No use ropas holgadas ni joyas. Mantenga el cabello, la ropa y los guantes alejados de las piezas en movimiento.** Las ropas holgadas, las joyas o el cabello largo pueden quedar atrapados en las piezas en movimiento.
- g) **Si se suministran dispositivos para la conexión de accesorios con fines de recolección y extracción de polvo, asegúrese de que estén conectados y que se utilicen correctamente.** El uso de dispositivos de recolección de polvo puede reducir los peligros relacionados con el polvo.
- h) **No permita que la familiaridad obtenida a partir del uso frecuente de herramientas le permitan volverse descuidado e ignorar los principios de seguridad de la herramienta.** Una acción descuidada puede causar lesiones severas en una fracción de segundo.

4) Uso y Mantenimiento de la Herramienta Eléctrica

- a) **No fuerce la herramienta eléctrica. Utilice la herramienta eléctrica correcta para el trabajo que realizará.** Si se la utiliza a la velocidad para la que fue diseñada, la herramienta eléctrica correcta permite trabajar mejor y de manera más segura.
- b) **No utilice la herramienta eléctrica si no puede encenderla o apagarla con el interruptor.** Toda herramienta eléctrica que no pueda ser controlada mediante el interruptor es peligrosa y debe repararse.
- c) **Desconecte el enchufe de la fuente de alimentación y/o retire la batería, o paquete si es desmontable, de la herramienta eléctrica antes de realizar cualquier ajuste, cambiar accesorios o almacenar herramientas eléctricas.** Estas medidas de seguridad preventivas reducen el riesgo de encender la herramienta eléctrica en forma accidental.

- d) **Guarde la herramienta eléctrica que no esté en uso fuera del alcance de los niños y no permita que otras personas no familiarizadas con ella o con estas instrucciones operen la herramienta.** Las herramientas eléctricas son peligrosas si son operadas por usuarios no capacitados.
- e) **Dé mantenimiento a las herramientas eléctricas y accesorios. Revise que no haya piezas en movimiento mal alineadas o trabadas, piezas rotas o cualquier otra situación que pueda afectar el funcionamiento de la herramienta eléctrica. Si encuentra daños, haga reparar la herramienta eléctrica antes de utilizarla.** Se producen muchos accidentes a causa de las herramientas eléctricas que carecen de un mantenimiento adecuado.
- f) **Mantenga las herramientas de corte afiladas y limpias.** Las herramientas de corte con mantenimiento adecuado y con los bordes de corte afilados son menos propensas a trabarse y son más fáciles de controlar.
- g) **Utilice la herramienta eléctrica, los accesorios y las brocas de la herramienta, etc. de acuerdo con estas instrucciones y teniendo en cuenta las condiciones de trabajo y el trabajo que debe realizarse.** El uso de la herramienta eléctrica para operaciones diferentes de aquéllas para las que fue diseñada podría originar una situación peligrosa.
- h) **Mantenga las manijas y superficies de sujeción secas, limpias y libres de aceite y grasa.** Las manijas y superficies de sujeción resbalosas no permiten el manejo y control seguros de la herramienta en situaciones inesperadas.

5) Uso y Mantenimiento de la Herramienta con Baterías

- a) **Recargue solamente con el cargador especificado por el fabricante.** Un cargador adecuado para un tipo de paquete de baterías puede originar riesgo de incendio si se utiliza con otro paquete de baterías.
- b) **Utilice herramientas eléctricas sólo con paquetes de baterías específicamente diseñados.** El uso de cualquier otro paquete de baterías puede producir riesgo de incendio y lesiones.
- c) **Cuando no utilice el paquete de baterías, manténgalo lejos de otros objetos metálicos como sujetapapeles, monedas, llaves, clavos, tornillos u otros objetos metálicos pequeños que puedan realizar una conexión desde un terminal al otro.** Los cortocircuitos en los terminales de la batería pueden provocar quemaduras o incendio.
- d) **En condiciones abusivas, el líquido puede ser expulsado de la batería. Evite su contacto. Si entra en contacto accidentalmente, enjuague con agua. Si el líquido entra en contacto con los ojos, busque atención médica.** El líquido expulsado de la batería puede provocar irritación o quemaduras.
- e) **No use un paquete de batería o herramienta que estén dañados o modificados.** Las baterías dañadas

o modificadas pueden presentar un comportamiento impredecible que resulte en incendios, explosión o riesgo de lesiones.”

- f) **No exponga un paquete de batería o una herramienta a fuego o temperatura excesiva.** La exposición a fuego o temperaturas mayores a 129 °C (265 °F) pueden causar una explosión.”
- g) **Siga todas las instrucciones de carga y no cargue el paquete de batería o la herramienta fuera del rango de temperatura especificado en las instrucciones.** Cargar inadecuadamente o en una temperatura fuera del rango de temperatura especificado puede dañar la batería e incrementar el riesgo de incendio.

6) Mantenimiento

- a) **Solicite a una persona calificada en reparaciones que realice el mantenimiento de su herramienta eléctrica y que sólo utilice piezas de repuesto idénticas.** Esto garantizará la seguridad de la herramienta eléctrica.
- b) **Nunca dé servicio a paquetes de batería dañados.** El servicio de paquetes de batería sólo debe ser realizado por el fabricante o proveedores de servicio autorizados.

Reglas de Seguridad Adicionales para Sierras de Banda Portátiles

- **Sujete la herramienta eléctrica por las superficies aislantes si lleva a cabo una operación en que el accesorio de la herramienta puede tocar un contacto oculto.** El contacto entre el accesorio de corte de la herramienta y un cable con corriente puede provocar que las piezas metálicas de la herramienta eléctrica conduzcan electricidad y puede causar que el operador reciba una descarga eléctrica.
- **Mantenga las manos alejadas del área y de la hoja de corte.**
- **Asegúrese siempre de que la sierra de banda portátil esté limpia antes de utilizarla.**
- **Detenga siempre la operación de inmediato si nota cualquier anomalía.**
- **Asegúrese siempre que todas las piezas estén debida y firmemente montadas antes de utilizar la herramienta.**
- **Maneje siempre la hoja de la sierra de banda con cuidado cuando la monte o retire de la sierra.**
- **Mantenga siempre las manos alejadas de la trayectoria de la hoja de la sierra de banda.**
- **Espere siempre a que el motor haya alcanzado su velocidad completa antes de iniciar el corte.**
- **Mantenga las empuñaduras secas, limpias, libres de aceite y grasa.** Sostenga la herramienta con firmeza cuando la use.
- **Esté alerta en todo momento, especialmente durante operaciones repetitivas y monótonas.** Esté siempre seguro de la posición de sus manos en relación a la hoja.

- **Jamás retire el tope.**
- **Manténgase alejado de los extremos que pudieran caerse una vez que sean cortados.** Pueden estar calientes o ser afilados y/o pesados. Puede resultar en lesiones corporales serias.

Información de Seguridad Adicional



ADVERTENCIA: Nunca modifique la herramienta eléctrica o ninguna parte de ella. Podría resultar en daño o lesiones personales.



ADVERTENCIA: SIEMPRE use gafas de seguridad. Las gafas de uso diario NO son gafas de seguridad. También use una careta o máscara de polvo si la operación de corte produce polvo. SIEMPRE USE EQUIPO DE SEGURIDAD CERTIFICADO:

- Protección para los ojos ANSI Z87.1 (CAN/CSA Z94.3),
- Protección auditiva ANSI S12.6 (S3.19),
- Protección respiratoria NIOSH/OSHA/MSHA.



ADVERTENCIA: Algún polvo creado por lijado, aserrado, pulido, perforación eléctricos y otras actividades de construcción contienen químicos conocidos por el Estado de California como causantes de cáncer, defectos de nacimiento u otros daños reproductivos. Algunos ejemplos de estos químicos son:

- plomo a partir de pinturas a base de plomo,
- sílice cristalino de ladrillos y cemento y otros productos de mampostería, y
- arsénico y cromo a partir de madera tratada químicamente.

Su riesgo de exposición a estos químicos varía, dependiendo de la frecuencia con la cual realiza usted este tipo de trabajo. Para reducir su exposición a estas sustancias químicas: trabaje en una zona bien ventilada y llevando equipos de seguridad aprobados, como mascarillas antipolvo especialmente diseñadas para filtrar partículas microscópicas.

- **Use ropa de protección y lave las áreas expuestas con agua y jabón.** Permitir que el polvo entre en su boca, ojos, o que quede sobre la piel puede promover la absorción de químicos peligrosos. Dirija las partículas lejos de la cara y el cuerpo.
- **Use la aspiradora de extracción de polvo adecuada para retirar la mayoría de polvo estático y transportado por aire.** La falla en retirar el polvo estático y transportado por aire podría contaminar el ambiente de trabajo y presentar un riesgo de salud mayor al operador y personas en las cercanías.
- **Use abrazaderas u otras maneras prácticas para asegurar y soportar la pieza de trabajo a una plataforma estable.** Sostener el trabajo a mano o contra su cuerpo es inestable y puede guiar a la pérdida de control y lesiones.
- **Las ventilas de aire a menudo cubren las partes móviles y se deben evitar.** La ropa suelta, joyería, o cabello largo podrían quedar atrapados en las partes móviles.



ATENCIÓN: Cuando no esté en uso, coloque la herramienta en su lado sobre una superficie estable donde no cause un peligro de tropiezo o caída. Algunas herramientas con paquetes de batería grandes pueden quedar verticales sobre el paquete de batería pero se pueden voltear fácilmente.

La etiqueta en su herramienta puede incluir los siguientes símbolos. Los símbolos y sus definiciones son los siguientes:

BPM.....golpes por minuto	 use protección respiratoria
V.....volts	 use protección para los ojos
min.....minutos	 Construcción Clase II (aislamiento doble)
== O CD..... corriente directa	 use protección auditiva
.../min..... por minuto	 lea toda la documentación
RPM..... revoluciones por minuto	 evite mirar fijamente la luz
A..... ampéres	 corriente alterna
Hz..... hertz	 amperios hora
W..... watts		
Wh..... Watt Horas		
Sjn..... sin carga velocidad		
n..... velocidad nominal		
..... símbolo de alerta de seguridad		

BATERÍAS Y CARGADORES

El paquete de batería no está completamente cargado cuando se retira del cartón. Antes de usar la batería y el cargador, lea las siguientes instrucciones de seguridad y luego siga los procedimientos de carga descritos. Cuando solicite paquetes de baterías de repuesto, asegúrese de incluir el número de catálogo y el voltaje.

LEA TODAS LAS INSTRUCCIONES

Instrucciones de Seguridad Importantes para Todos los Paquetes de Batería



ADVERTENCIA: Lea todas las advertencias de seguridad, instrucciones y marcas de precaución para el paquete de la batería, el cargador y el producto. La falla en seguir las advertencias e instrucciones puede resultar en descarga eléctrica, incendio y/o lesiones serias.

- **No cargue o use el paquete de batería en atmósferas explosivas, como en la presencia de líquidos, gases o polvo inflamables.** Insertar o retirar el paquete de batería del cargador puede encender el polvo y los vapores.
- **NUNCA fuerce el paquete de batería dentro del cargador. NO modifique el paquete de batería en ninguna forma para instalarlo en un cargador no compatible ya que el paquete de batería se puede romper causando lesiones personales serias.** Consulte la tabla al final de este manual respecto a compatibilidad de las baterías y cargadores.
- **Cargue los paquetes de batería sólo en cargadores DEWALT.**
- **NO salpique ni sumerja en agua u otros líquidos.**

- **NO permita que agua o ningún otro líquido entre al paquete de batería.**
 - **No almacene ni use la herramienta y el paquete de baterías en lugares donde la temperatura pueda alcanzar o exceder los 40 °C (104 °F) (como cobertizos exteriores o edificios de metal en verano).** Para obtener la mejor vida útil, guarde los paquetes de baterías en un lugar fresco y seco.
- NOTA:** No guarde los paquetes de baterías en una herramienta con el interruptor de gatillo bloqueado. Nunca sujete con cinta el interruptor de gatillo en la posición ON.
- **No incinere el paquete de batería incluso si está dañado severamente o está completamente agotada.** El paquete de batería pueden explotar en el fuego. Se crean humos y materiales tóxicos cuando se queman los paquetes de baterías de ion de litio.
 - **No exponga un paquete de batería o una herramienta a fuego o temperatura excesiva.** La exposición a fuego o temperaturas mayores a 129 °C (265 °F) pueden causar una explosión.*
 - **Siga todas las instrucciones de carga y no cargue el paquete de batería o la herramienta fuera del rango de temperatura especificado en las instrucciones.** Cargar inadecuadamente o en una temperatura fuera del rango de temperatura especificado puede dañar la batería e incrementar el riesgo de incendio.

- **Si el contenido de la batería entra en contacto con la piel, lave de inmediato el área con jabón suave y agua.** Si el líquido de la batería entra en los ojos, enjuague con agua sobre el ojo abierto durante 15 minutos o hasta que desaparezca la irritación. Si se necesita atención médica, el electrolito de la batería está compuesto por una mezcla de carbonatos orgánicos líquidos y sales de litio.
- **El contenido de las celdas de batería abiertas puede causar irritación respiratoria.** Proporcione aire fresco. Si los síntomas persisten, busque atención médica.
- **El líquido de la batería puede ser inflamable si se expone a chispas o llamas.**
- **Nunca intente abrir el paquete de baterías por ninguna razón. Si la caja del paquete de baterías está agrietada o dañada, no la inserte en el cargador.** No aplaste, deje caer o dañe el paquete de la batería. No use un paquete de baterías o cargador que haya recibido un golpe fuerte, se haya dejado caer, se haya aplastado o dañado de cualquier manera (por ej., perforado con un clavo, golpeado con un martillo, o pisado). Los paquetes de batería dañados se deben regresar al centro de servicio para reciclaje.

Recomendaciones de Almacenamiento

El mejor lugar de almacenamiento es aquel que es fresco y seco, alejado de la luz solar directa y del exceso de calor o frío. Guarde el paquete de batería completamente cargado fuera del cargador.

Instrucciones de Limpieza de Paquete de Batería

La suciedad y grasa se pueden retirar del exterior de la paquette de batería con una tela o cepillo no metálico suave. No use agua o ninguna solución de limpieza.

Paquetes de Baterías de Indicador de Combustible (Fig. B)

Algunos paquetes de batería incluyen un indicador de combustible. Cuando se presiona y sostiene el botón de indicador de combustible, las luces LED indicarán el nivel de carga aproximado restante. Éste no indica la funcionalidad de la herramienta y está sujeto a variación en base a los componentes del producto, la temperatura y la aplicación del usuario final.

Transporte



ADVERTENCIA: Riesgo de Incendio. No guarde, transporte, o lleve el paquete de batería de forma que objetos de metal puedan tener contacto con las terminales expuestas de la batería. Por ejemplo, no coloque la batería en delantales, bolsillos, cajas de herramientas, cajas de juego de productos, cajones, etc., con clavos sueltos, tornillos, llaves, monedas, herramientas manuales, etc. Al transportar paquetes de baterías individuales, asegúrese que las terminales de la batería estén protegidas y bien aisladas de materiales que puedan entrar en contacto con ellas y causar un cortocircuito. **NOTA:** Los paquetes de batería de ion de litio no se deben colocar en equipaje de mano en aviones y se deben proteger adecuadamente contra corto circuito si están en el equipaje registrado.

El Sello RBRC®

Lleve sus paquetes de batería agotados a un centro de servicio autorizado DeWALT o a su minorista local para reciclarlas. En algunas áreas, es ilegal colocar paquetes de batería gastados en la basura. También puede comunicarse con su centro de reciclaje local para obtener información sobre dónde dejar el paquete de batería agotado. No las coloque en el reciclaje de la acera. *Para información adicional visite www.call2recycle.org.* O llame al número de larga distancia gratuito en el Sello RBRC®.

RBRC® es una marca comercial registrada de Call 2 Recycle, Inc.



Instrucciones de Seguridad Importantes para Todos los Cargadores de Batería



ADVERTENCIA: Lea todas las advertencias de seguridad, instrucciones y marcas de precaución para el paquete de la batería, el cargador y el producto. La falla en seguir las advertencias e instrucciones puede resultar en descarga eléctrica, incendio y/o lesiones serias.

- **NO intente cargar el paquete de batería con cargadores diferentes al DeWALT.** DeWALT y los paquetes de batería están diseñados específicamente para funcionar juntos.

- **Estos cargadores no están destinados para ningún otro uso que no sea cargar DeWALT.** Cargar otros tipos de baterías puede causar que se sobrecalienten y exploten, resultando en lesiones personales, daño a la propiedad, incendio, descarga eléctrica o electrocución.
- **No exponga el cargador a la lluvia o la nieve.**
- **NO permita que agua o ningún otro líquido entre al cargador.**
- **Jale por el enchufe en lugar del cable cuando desconecte el cargador.** Esto reducirá el riesgo de daños al enchufe y cable eléctricos.
- **Asegúrese que el cable esté ubicado de forma que no se pueda pisar, provoque tropiezos, o de otra forma esté sujeto a daño o esfuerzo.**
- **No use un cable de extensión a menos que sea absolutamente necesario.** El uso de un cable de extensión inadecuado podría resultar en riesgo de incendio, descarga eléctrica o electrocución.
- **Cuando opere un cargador al aire libre, proporcione siempre un lugar seco y use un cable de extensión adecuado para uso en exteriores.** El uso de un cable adecuado para uso en exteriores reduce el riesgo de descarga eléctrica.
- **Un cable de extensión debe tener un tamaño de cable adecuado (AWG o American Wire Gauge) por seguridad.** Cuanto menor es el número de calibre del cable, el cable será más pesado y por lo tanto su caída en el voltaje en línea que resulta en una pérdida de energía y sobrecalentamiento. La siguiente tabla muestra el tamaño correcto a usar dependiendo de la longitud total de todos los cables de extensión juntos, y la clasificación de amperes de la placa de identificación. Si tiene duda, use el calibre más pesado siguiente.

Calibre mínimo para juegos de cable

Voltios	Longitud total de cable en pies (metros)				
	25 (7.6)	50 (15.2)	100 (30.5)	150 (45.7)	
Clasificación de amperes	American Wire Gauge				
Mayor a					No mayor a
0	6	18	16	16	14
6	10	18	16	14	12
10	12	16	16	14	12
12	16	14	12	No recomendado	

- **No coloque ningún objeto encima del cargador ni coloque el cargador sobre una superficie blanda que pueda bloquear las ranuras de ventilación y provocar un calor interno excesivo.** Coloque el cargador en una posición lejos de cualquier fuente de calor. El cargador se ventila a través de ranuras en la parte superior e inferior del alojamiento.
- **No opere el cargador con un cable o enchufe dañado.** Solicite que los replacen inmediatamente.
- **No opere el cargador si recibió un golpe fuerte, se dejó caer o se dañó de cualquier manera.** Llévelo a un centro de servicio autorizado.

- **No desensamble el cargador; llévelo a un centro de servicio autorizado cuando se requiera servicio o reparación.** El reensamble incorrecto puede resultar en un riesgo de descarga eléctrica, electrocución o incendio.
- **El cargador está diseñado para operar con corriente eléctrica doméstica estándar de 120V. No intente usarlo en ningún otro voltaje.** Esto no aplica al cargador de vehículos.
- **Los materiales extraños de naturaleza conductiva tales como, pero sin limitarse a, polvo de pulido, rebabas de metal, lana de acero, papel aluminio, o cualquier acumulación de partículas metálicas se deben mantener alejados de las cavidades y ranuras de ventilación del cargador.**
- **Siempre desconecte el cargador del suministro de energía cuando no haya paquete de baterías en la cavidad.**

Carga de la Batería (Fig. C)

1. Conecte el cargador en un tomacorriente apropiado.
2. Inserte y asiente completamente el paquete de batería. La luz de carga roja parpadeará continuamente mientras carga.
3. La carga es completa cuando la luz roja permanece encendida continuamente. El paquete de batería se puede dejar en el cargador o retirarse. Algunos cargadores requieren que se presione el botón de liberación del paquete de batería para retirarlo.



ADVERTENCIA: Cargue las baterías únicamente a una temperatura del aire superior a 4,5 °C (40 °F) y por debajo de + 40,5 °C (105 °F).

4. El cargador no cargará un paquete de batería defectuoso, lo que puede indicarse por la luz que permanece apagada. Lleve el cargador y el paquete de batería a un centro de servicio autorizado si la luz permanece apagada.
- NOTA:** Consulte la etiqueta cerca de la luz de carga en el cargador respecto a los patrones de parpadeo. Los cargadores más viejos pueden tener información adicional y/o pueden no tener una luz indicadora amarilla.

Demora de Paquete Caliente/Frío

Cuando el cargador detecta un paquete de batería que esté demasiado caliente o demasiado frío, comienza automáticamente una Demora de Paquete Caliente/Frío, suspendiendo la carga hasta que el paquete de batería alcance una temperatura apropiada. El cargador cambia automáticamente al modo de carga del paquete. Esta característica garantiza la vida máxima del paquete de batería.

Un paquete de batería frío puede cargar a un ritmo más lento que un paquete de batería caliente.

La demora de paquete caliente/frío se indicará por la luz roja que continúa parpadeando pero con la luz amarilla encendida continuamente. Una vez que la batería haya alcanzado la temperatura adecuada, la luz amarilla se apagará y el cargador reanudará el proceso de carga.

Cargadores DCB118 y DCB1112

Los cargadores DCB118 y DCB1112 están equipados con un ventilador interno diseñado para enfriar el paquete de batería. El ventilador se encenderá automáticamente cuando el paquete de batería se necesite enfriar.

Sistema de Protección Electrónica

Las herramientas de ion de litio están diseñadas con un Sistema de Protección Electrónica que protegerá el paquete de batería contra sobrecarga, sobrecalentamiento o descarga profunda. La herramienta se apagará automáticamente y el paquete de batería se necesitará volver a cargar.

Notas Importantes de Carga

1. El cargador y el paquete de baterías pueden calentarse al tacto durante la carga. Esta es una condición normal y no indica un problema. Para facilitar el enfriamiento de la batería después de su uso, evite colocar el cargador o la batería en un ambiente cálido, como en un cobertizo de metal o un remolque sin aislamiento.
2. Si la batería no se carga correctamente:
 - a. Verifique la operación del receptáculo conectando una lámpara u otro aparato;
 - b. Revise si el receptáculo está conectado a un interruptor de luz que apegue la energía cuando apague las luces;
 - c. Si persisten los problemas de carga, lleve la herramienta, el paquete de batería y el cargador a su centro de servicio local.
3. Puede cargar un paquete parcialmente usado cuando lo desee sin ningún efecto adverso en el paquete de baterías.

Instrucciones de Limpieza de Cargador



ADVERTENCIA: Riesgo de descarga eléctrica. Desconecte el cargador del tomacorriente CA antes de limpiar. La suciedad y grasa se pueden retirar del exterior del cargador con una tela o cepillo no metálico suave. No use agua o ninguna solución de limpieza.

CONSERVE ESTAS INSTRUCCIONES PARA USO FUTURO

Montaje en Pared

Algunos cargadores DEWALT están diseñados para montarse en pared o colocarse verticales sobre una mesa o superficie de trabajo. Si se monta en pared, localice el cargador dentro del alcance de un tomacorriente eléctrico, y lejos de una esquina u otras obstrucciones que puedan impedir el flujo de aire. Use la parte posterior del cargador como una plantilla para la ubicación de los tornillos de montaje en la pared. Instale el cargador firmemente con tornillos para Tablaroca (adquiridos por separado) por lo menos de 25,4 mm (1") de largo, con un diámetro de cabeza de tornillo de 7–9 mm (0,28–0,35"), atornillados en madera a una profundidad óptima dejando aproximadamente 5,5 mm (7/32") de tornillo expuesto. Alinee las ranuras en la parte posterior del cargador con los tornillos expuestos y conéctelos completamente dentro de las ranuras.

**CONSERVE ESTAS INSTRUCCIONES
PARA USO FUTURO**

MONTAJE Y AJUSTES

⚠️ ADVERTENCIA: Para reducir el riesgo de lesiones personales, apague la unidad y retire el paquete de batería antes de realizar cualquier ajuste o retirar/instalar conexiones o accesorios. Una activación de arranque accidental puede causar lesiones.

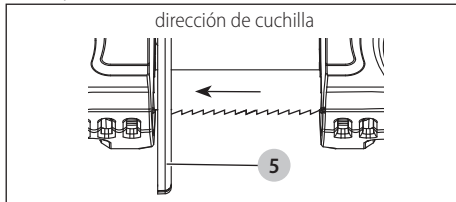
Instalación y Desinstalación de Cuchillas

⚠️ ATENCION: Riesgo de corte. La palanca de tensión de la cuchilla está bajo presión de resorte. Mantenga el control de la palanca cuando libere la tensión de la cuchilla.

⚠️ ADVERTENCIA: Utilice SIEMPRE guantes al tocar la hoja de sierra.

Para Instalar la Cuchilla (Fig. A, D-F)

1. Gire la palanca de tensión de cuchilla **7** en sentido de las manecillas del reloj 180 grados hasta que se detenga para liberar la tensión en la cuchilla (consulte la Fig. A).
2. Voltee la sierra y colóquela sobre un banco de trabajo o una mesa.
3. Desconecte los dos seguros de la protección de la cuchilla **11** y abra la protección de la cuchilla.
4. Coloque la cuchilla de forma que los dientes vena hacia afuera desde la sierra y tengan un ángulo hacia el top de trabajo **5**.



5. Deslice la cuchilla en los rodillos guía **17** y alrededor de ambas poleas **16** como se muestra en la Fig. D.
6. Asegúrese que la cuchilla esté completamente insertada en los rodillos guía y colocada completamente sobre las llantas de hule **19** y apenas tocando los cojinetes guía traseros **18**.
7. Gire la palanca de tensión de la cuchilla **7** en sentido contrario a las manecillas del reloj hasta que se detenga y después cierre la protección de la cuchilla y bloquee los seguros. Asegúrese que los dientes vean al lado opuesto de la sierra de banda (Fig. A, D).
8. Encienda y apague la sierra unas cuantas veces para asegurar que la sierra esté asentada adecuadamente.

Para Retirar la Cuchilla (Fig. A, D-F)

1. Gire la palanca de tensión de cuchilla **7** en sentido de las manecillas del reloj 180 grados hasta que se detenga para liberar la tensión en la cuchilla (consulte la Fig. A).
2. Voltee la sierra y colóquela sobre un banco de trabajo o una mesa.

3. Desbloquee los dos seguros de la protección de cuchilla y abra la protección de la cuchilla.
 4. Cuando retire la cuchilla, la tensión se puede liberar y la cuchilla puede saltar para liberarse. LAS CUCHILLAS DE LA SIERRA SON FILOSAS. TENGA CUIDADO AL MANEJARLAS.
 5. Revise los rodillos guía **17** y retire cualquier viruta que pueda estar alojada en ellos. Las virutas alojadas pueden evitar la rotación de los rodillos guía y causar puntos planos sobre los rodillos guía.
 6. Las llantas de hule **19** están montadas sobre las poleas **16**. Las llantas de hule se deben revisar respecto a holgura o daño cuando cambie la cuchilla. Limpie cualquier viruta de las llantas de hule sobre las poleas con un cepillo.
- NOTA:** No use sus manos para limpiar las virutas. Esto extenderá la vida de la llanta y evitará que la cuchilla se deslice. Si ocurre cualquier holgura o daño, la herramienta se debe llevar a un centro de servicio DeWALT autorizado para reparación o reemplazo tan pronto como sea posible. El uso continuo de la herramienta con llantas de hule sueltas o dañadas causará el viaje inestable de la cuchilla de la sierra de banda.
7. Cierre la protección de la cuchilla y asegure firmemente los dos seguros de la protección de la cuchilla. Gire la palanca de tensión de la cuchilla **7** en sentido contrario a las manecillas del reloj 180 grados hasta que se detenga.

Alineación de Cuchilla (Fig. A, E, G)

⚠️ ADVERTENCIA: Para reducir el riesgo de lesiones personales, apague la herramienta y retire el paquete de batería antes de realizar cualquier ajuste o retirar/instalar conexiones o accesorios. Un arranque accidental puede causar lesiones.

AVISO: El apriete excesivo de los tornillos de ajuste podría resultar en daño a la sierra.

Su sierra de banda está equipada con un mecanismo de alineación de cuchilla ajustable que asegura la alineación de la cuchilla adecuada en todo momento. La cuchilla está ajustada adecuadamente cuando esté completamente asentada sobre llantas de hule **19** y tocando ligeramente uno o ambos cojinetes guía traseros **18**.

Para Ajustar la Alineación de Cuchilla

1. Gire y abra la palanca de tensión de cuchilla **7** para permitir acceso al tornillo de alineación **12**.
 2. Use una llave de 10 mm para aflojar la tuerca de bloqueo **6** (Fig. G).
 3. Use una llave hexagonal de 3 mm **4** para girar el tornillo de alineación **12** 1/4 de vuelta en sentido de las manecillas del reloj o en sentido opuesto (Fig. G).
- NOTA:** Girar el tornillo de alineación en sentido de las manecillas del reloj mueve la cuchilla hacia el rodillo guía, girar el tornillo de alineación en sentido contrario a las manecillas del reloj mueve la cuchilla lejos del rodillo guía.

4. Apriete la tuerca de bloqueo y cierre la palanca de tensión de la cuchilla y la protección de la cuchilla. (Será necesario operar la sierra para observar la alineación.)
5. Observe la alineación de cuchilla entre operaciones y repita los Pasos 1–4 conforme sea necesario para lograr la alineación de cuchilla adecuada.

Hojas

Esta sierra de banda portátil está configurada para ser utilizada con hojas de 0,5 mm (0,02") de grosor, 12,7 mm (1/2") de ancho y 686 mm–692 mm (27" – 27-1/4") de largo. **NO USE** hojas con grosores de 0,64 mm (0,25).

! **ADVERTENCIA:** El uso de cualquier otro tipo de hoja o accesorio podría ser peligroso. **NO UTILICE** ningún otro tipo de accesorio con su sierra de banda. Las hojas utilizadas en sierras de banda estacionarias son de diferentes espesores. No intente utilizarlas con su unidad portátil.

Selección de la Hoja

En general, considere primero el tamaño y la forma de la pieza de trabajo y el tipo de material a ser cortado. Recuerde que para realizar cortes más eficientes, se debería utilizar la hoja con los dientes más gruesos posibles en una aplicación dada pues mientras más grueso el diente, más rápido el corte. En la selección del número apropiado de dientes por milímetro para las hojas de sierras de banda, fíjese que al menos dos dientes deben entrar en contacto con la superficie de la pieza de trabajo cuando se descansa la hoja contra la pieza de trabajo. Como regla general, los materiales blandos generalmente requieren hojas con dientes gruesos mientras que los materiales duros requieren hojas de dientes más finos. Cuando requiera un acabado más suave, seleccione una de las hojas de dientes más finos.

Seleccione la hoja para su sierra de banda de acuerdo al tipo de material, las dimensiones y el número de dientes.

Vea el cuadro **Descripción de cuchilla de sierra de banda bimetalica.**

La siguiente tabla es para ser utilizada sólo como una guía general. Determine el tipo de material y la dimensión de la pieza de trabajo y seleccione la hoja para sierras de banda más apropiada.

AVISO: Jamás utilice la sierra de banda para cortar materiales de resina que pudieran derretirse. El material de resina derretido por el calor generado durante el corte podría hacer que la hoja de la sierra de banda se adhiera al material, posiblemente sobrecargándola y quemando su motor.

DESCRIPCIÓN DE CUCHILLA DE SIERRA DE BANDA BIMETÁLICA				
Espesor de la pieza de trabajo	Número de dientes			
	24	18	14	14/18
3,2 mm (1/8") y menor	✓	✓		
3,2–6,4 mm (1/8"–1/4")			✓	✓

Conmutador (Fig. A, H)

Presione el botón 1 para soltar el botón de bloqueo en off (apagado). Tire del conmutador tipo gatillo 2 para ENCENDER el motor. Si suelta el conmutador tipo gatillo, el motor se APAGARÁ. **Si suelta el conmutador tipo gatillo, también activará automáticamente el botón de bloqueo en off.**

! **ADVERTENCIA:** Esta herramienta no tiene forma de bloquear el conmutador en ON (encendido) y jamás debería ser bloqueado en ON por ningún otro medio.

Luz de Trabajo (Fig. A)

! **ATENCIÓN:** No mire fijamente hacia la luz de trabajo. Podrían producirse lesiones oculares graves.

Hay una luz de trabajo 15 ubicada encima de la hoja. La luz de trabajo se activa cuando se presiona el interruptor tipo gatillo, y se apagará automáticamente 20 segundos después de soltarse el interruptor. Si el interruptor de gatillo se mantiene presionado, la luz de trabajo se mantiene encendida.

NOTA: La luz de trabajo sirve para iluminar la superficie de trabajo cercana y no fue diseñada para utilizarse como linterna.

OPERACIÓN

! **ADVERTENCIA:** Para reducir el riesgo de lesiones personales, apague la unidad y retire el paquete de batería antes de realizar cualquier ajuste o retirar/instalar conexiones o accesorios. Una activación de arranque accidental puede causar lesiones.

Instalación y Desinstalación de Paquete de Batería (Fig. I)

NOTA: Para mejores resultados, asegúrese que su paquete de batería esté completamente cargado.

Para instalar el paquete de batería 13 en la manija de la herramienta, alinee el paquete de la batería con los rieles dentro de la manija de la herramienta y deslícelo en la manija hasta que el paquete de batería esté asentado firmemente en la herramienta y asegúrese que no se desconecte.

Para retirar el paquete de batería de la herramienta, presione el botón de liberación 14 y jale firmemente el paquete de batería fuera de la manija de la herramienta. Insértelo en el cargador como se describe en la sección de cargador de este manual.

Posición Adecuada de las Manos (Fig. J)

! **ADVERTENCIA:** Para reducir el riesgo de lesión personal grave, tenga **SIEMPRE** las manos en una posición adecuada como se muestra.

! **ADVERTENCIA:** Para reducir el riesgo de lesión personal grave, sujete **SIEMPRE** bien en caso de que haya una reacción repentina.

Siempre que sea posible, sostenga firmemente la sierra con ambas manos 3. Mantenga su mano libre alejada del área de la cuchilla y no permita que la sierra caiga contra el material sujeto o soportado o su cuerpo cuando se complete el corte.

Corte (Fig. A, H, J)

Refiérase a la **Posiciones de Corte Recomendadas** para ver posiciones de corte recomendadas para diferentes materiales.

NOTA: Seleccione y utilice la hoja para sierras de banda que sea más apropiada para el material a cortar. Vea la **Descripción de cuchilla de sierra de banda bimetalica.**

Esta sierra de banda portátil debe ser colgada con el gancho para cruzarla (9, Fig. H). Cuelgue la herramienta de una abrazadera de cañería u otra estructura adecuada y estable.

ADVERTENCIA: Cuando utilice el gancho para colgar, asegúrese que esté seguro y estable antes de soltarlo. La sierra puede caer y provocar lesiones graves a usted o a otras personas.

ADVERTENCIA: Para reducir el riesgo de lesión personal, use el gancho para colgar solamente para apoyar el peso de la herramienta. Nunca debe de fiarse al gancho para colgar para apoyarse o para ayudarle a mantenerse equilibrado.

ADVERTENCIA: Nunca intente usar esta herramienta colocándola sobre una superficie y trayendo el material hacia la herramienta. Siempre sujete firmemente la pieza de trabajo y lleve la herramienta a la pieza de trabajo, sujetando firmemente la herramienta como se muestra en la Fig. J.

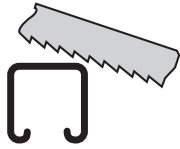
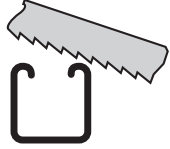
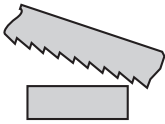
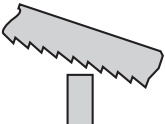
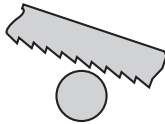
1. El material que se va a cortar debe estar firmemente seguro en el lugar donde se encuentra o sujeto con un tornillo de banco u otro dispositivo de sujeción.
2. Ponga el tope de la pieza de trabajo 5 en contacto con la misma mientras mantiene la hoja alejada de la pieza de trabajo. Encienda la sierra.
3. Cuando la sierra alcance la velocidad de rotación deseada, incline lenta y suavemente el cuerpo principal de la herramienta para que la hoja de la sierra entre en contacto con la pieza de trabajo. No aplique una presión adicional superior al peso del cuerpo principal de la herramienta. Evite hacer contacto entre la hoja y la superficie superior de la pieza en forma brusca y repentina. Esto causará daños serios a la hoja de la sierra de banda. Para un máximo de duración de la hoja de la sierra de banda, asegúrese que no haya un impacto repentino al inicio del corte.
4. Se puede realizar un corte recto manteniendo la hoja de la sierra de banda alineada perpendicularmente al material. Si la hoja se tuerce o inclina, el corte se saldrá de su línea y la hoja durará menos.

AVISO: Durante el corte, si la sierra de banda se bloquea o atora en el material de la pieza de trabajo, apague inmediatamente el interruptor para evitar dañar la hoja de la sierra y el motor.

5. El peso mismo de la herramienta, ofrece la presión más eficiente de corte hacia abajo. Si el operador añade más presión, la hoja irá más lentamente y durará menos.
6. Los extremos, que podrían ser lo suficientemente pesados como para causar lesiones cuando se caigan luego del corte, deberían ser debidamente apoyadas. Se

recomienda utilizar calzado de seguridad. Los extremos pueden estar calientes y afilados.

Posiciones de Corte Recomendadas

SÍ	NO
	
	
	

Consejos para un Corte Mejor

Deben seguirse las siguientes recomendaciones como guía (consulte **Posiciones de Corte Recomendadas**). Los resultados pueden variar dependiendo del operador y del material en particular que se está cortando.

- Jamás tuerza la hoja de la sierra durante el corte.
- Jamás utilice refrigerantes líquidos en conjunto con las sierras de banda portátiles. El uso de refrigerantes líquidos puede causar una acumulación en las llantas y entorpecer el desempeño.
- Si ocurre una vibración excesiva durante el corte, asegúrese que el material que se está cortando está firmemente sujeto. Si la vibración sigue, cambie la hoja de la sierra.
- Siempre mantenga por lo menos 2-3 dientes en contacto con el corte.

MANTENIMIENTO

ADVERTENCIA: Para reducir el riesgo de lesiones personales, apague la unidad y retire el paquete de batería antes de realizar cualquier ajuste o retirar/instalar conexiones o accesorios. Una activación de arranque accidental puede causar lesiones.

Lubricación

La herramienta incorpora cojinetes autolubrificantes, por lo que no requiere lubricación periódica. En el desafortunado caso de necesitarse el servicio, lleve su herramienta a un centro de servicio autorizado.

Limpieza



ADVERTENCIA: *Sople la suciedad y el polvo de todos los conductos de ventilación con aire seco, al menos una vez por semana. Para reducir el riesgo de lesiones, utilice siempre protección para los ojos aprobada ANSI Z87.1 al realizar esta tarea.*



ADVERTENCIA: *Nunca utilice solventes ni otros químicos abrasivos para limpiar las piezas no metálicas de la herramienta. Estos productos químicos pueden debilitar los materiales plásticos utilizados en estas piezas. Utilice un paño humedecido sólo con agua y jabón neutro. Nunca permita que penetre líquido dentro de la herramienta ni sumerja ninguna de las piezas en un líquido.*

Accesorios



ADVERTENCIA: *Debido a que no se han probado con este producto otros accesorios que no sean los que ofrece DeWALT, el uso de dichos accesorios con esta herramienta podría ser peligroso. Para reducir el riesgo de lesiones, con este producto deben usarse sólo los accesorios recomendados por DeWALT.*

Los accesorios que se recomiendan para utilizar con la herramienta están disponibles a un costo adicional en su distribuidor local o en un centro de mantenimiento autorizado. Si necesita ayuda para localizar algún accesorio, póngase en contacto con DeWALT, llame al 1-800-4-DeWALT (1-800-433-9258) o visite nuestro sitio web:

www.dewalt.com.

Reparaciones

El Cargador y las unidades de batería no pueden ser reparados. El cargador y la unidad de batería no contienen piezas reparables.



ADVERTENCIA: *Para asegurar la SEGURIDAD y la CONFIABILIDAD del producto, las reparaciones, el mantenimiento y los ajustes (inclusive la inspección y el cambio de las escobillas, cuando proceda) deben ser realizados en un centro de mantenimiento en la fábrica DeWALT u en un centro de mantenimiento autorizado DeWALT. Utilice siempre piezas de repuesto idénticas.*

Para reparación y servicio de sus herramientas eléctricas, favor de dirigirse al Centro de Servicio más cercano

CULIACAN, SIN

Bldv. Emiliano Zapata 5400-1 Poniente Col. (667) 717 89 99
San Rafael

GUADALAJARA, JAL

Av. La Paz #1779 - Col. Americana Sector (33) 3825 6978
Juárez

MEXICO, D.F.

Eje Central Lázaro Cárdenas No. 18 - Local (55) 5588 9377
D, Col. Obrera

MERIDA, YUC

Calle 63 #459-A - Col. Centro (999) 928 5038

MONTERREY, N.L.

Av. Francisco I. Madero 831 Poniente - Col. (818) 375 23 13
Centro

PUEBLA, PUE

17 Norte #205 - Col. Centro (222) 246 3714

QUERETARO, QRO

Av. San Roque 274 - Col. San Gregorio (442) 2 17 63 14

SAN LUIS POTOSI, SLP

Av. Universidad 1525 - Col. San Luis (444) 814 2383

TORREON, COAH

Bldv. Independencia, 96 Pte. - Col. Centro (871) 716 5265

VERACRUZ, VER

Prolongación Díaz Mirón #4280 - Col. (229) 921 7016
Remes

VILLAHERMOSA, TAB

Constitución 516-A - Col. Centro (993) 312 5111

PARA OTRAS LOCALIDADES:

Si se encuentra en México, por favor llame al (55) 5326 7100

Si se encuentra en U.S., por favor llame al 1-800-4-DeWALT (1-800-433-9258) o visite nuestro sitio web: www.dewalt.com

Póliza de Garantía

IDENTIFICACIÓN DEL PRODUCTO:

Sello o firma del Distribuidor.

Nombre del producto: _____

Mod./Cat.: _____

Marca: _____

Núm. de serie: _____

(Datos para ser llenados por el distribuidor)

Fecha de compra y/o entrega del producto: _____

Nombre y domicilio del distribuidor donde se adquirió el producto: _____

Este producto está garantizado por un año a partir de la fecha de entrega, contra cualquier defecto en su funcionamiento, así como en materiales y mano de obra empleados para su fabricación. Nuestra garantía incluye la reparación o reposición del producto y/o componentes sin cargo alguno para el cliente, incluyendo mano de obra, así como los gastos de transportación razonablemente erogados derivados del cumplimiento de este certificado.

Para hacer efectiva esta garantía deberá presentar su herramienta y esta póliza sellada por el establecimiento

comercial donde se adquirió el producto, de no contar con ésta, bastará la factura de compra.

Excepciones

Esta garantía no será válida en los siguientes casos:

- Cuando el producto se hubiese utilizado en condiciones distintas a las normales;
- Cuando el producto no hubiese sido operado de acuerdo con el instructivo de uso que se acompaña;
- Cuando el producto hubiese sido alterado o reparado por personas distintas a las enlistadas al final de este certificado.

Anexo encontrará una relación de sucursales de servicio de fábrica, centros de servicio autorizados y franquiciados en la República Mexicana, donde podrá hacer efectiva su garantía y adquirir partes, refacciones y accesorios originales.

Solamente para propósito de México:

Importado por: DeWALT. Tool Co. S.A. de C.V.

Avenida Antonio Dovali Jaime, # 70 Torre B Piso 9

Colonia La Fe, Santa Fé

Código Postal : 01210 Delegación Alvaro Obregón
México D.F.

Tel. (52) 555-326-7100 R.F.C.: BDE810626-1W7

Registro en Línea

Gracias por su compra. Registre su producto ahora para:

- **SERVICIO EN GARANTÍA:** Si completa esta tarjeta, podrá obtener un servicio en garantía más eficiente, en caso de que exista un problema con su producto.
- **CONFIRMACIÓN DE PROPIEDAD:** En caso de una pérdida que cubra el seguro, como un incendio, una inundación o un robo, el registro de propiedad servirá como comprobante de compra.
- **PARA SU SEGURIDAD:** Si registra el producto, podremos comunicarnos con usted en el caso improbable que se deba enviar una notificación de seguridad conforme a la Federal Consumer Safety Act (Ley Federal de Seguridad de Productos para el Consumidor).
- Registro en línea en www.dewalt.com.

Garantía Limitada por Tres Años

DeWALT reparará o reemplazará, sin cargo, cualquier defecto debido a materiales o mano de obra defectuosos por tres años desde la fecha de compra (dos años para las baterías). Esta garantía no cubre falla de partes debido al desgaste normal o abuso de la herramienta. Para detalles adicionales de la cobertura de la garantía e información de reparación de garantía, visite www.dewalt.com o llame al 1-800-4-DeWALT (1-800-433-9258). Esta garantía no se aplica a accesorios o daño causado cuando otros hayan realizado o intentado reparaciones. ESTA GARANTÍA LIMITADA SE OTORGA EN LUGAR DE TODAS LAS DEMÁS, INCLUIDA LA GARANTÍA IMPLÍCITA DE COMERCIABILIDAD E IDONEIDAD PARA UN PROPÓSITO EN PARTICULAR, Y EXCLUYE TODOS LOS DAÑOS INCIDENTALES O EN CONSECUENCIA. Algunos estados no permiten limitaciones sobre la duración de una garantía implícita o la exclusión o

limitación de daños incidentales o en consecuencia, por lo que estas limitaciones pueden no aplicarse en su caso. Esta garantía le da derechos legales específicos y puede tener otros derechos que varían en ciertos estados o provincias. Además de la garantía, las herramientas DeWALT están cubiertas por:

1 AÑO DE SERVICIO GRATUITO

DeWALT mantendrá la herramienta y reemplazará las piezas gastadas por su uso normal, sin cobro, en cualquier momento durante un año a contar de la fecha de compra

2 AÑOS DE SERVICIO GRATUITO PARA UNIDADES DE ALIMENTACIÓN DeWALT

DC9071, DC9091, DC9096, DC9182, DC9280, DC9360, DCB120, DCB122, DCB124, DCB127, DCB201, DCB203BT, DCB207, DCB361

3 AÑOS DE SERVICIO GRATUITO PARA UNIDADES DE ALIMENTACIÓN DeWALT

DCB200, DCB203, DCB204, DCB204BT, DCB205, DCB205BT, DCB206, DCB208, DCB230, DCB240, DCB606, DCB609, DCB612

NOTA: La garantía del producto quedará nula si la unidad de batería ha sido alterada de cualquier manera. DeWALT no es responsable de ninguna lesión causada por alteraciones y podría iniciar un procedimiento judicial por fraude de garantía hasta el máximo grado permisible por la ley.

GARANTÍA DE REEMBOLSO DE SU DINERO POR 90 DÍAS

Si no está completamente satisfecho con el desempeño de su máquina herramienta o clavadora DeWALT, cualquiera sea el motivo, podrá devolverlo hasta 90 días de la fecha de compra con su recibo y obtener el reembolso completo de su dinero – sin necesidad de responder a ninguna pregunta.

AMÉRICA LATINA: Esta garantía no se aplica a los productos que se venden en América Latina. Para los productos que se venden en América Latina, debe consultar la información de la garantía específica del país que viene en el empaque, llamar a la compañía local o visitar el sitio Web a fin de obtener esa información.

REEMPLAZO GRATUITO DE LAS ETIQUETAS DE ADVERTENCIAS

Si sus etiquetas de advertencia se vuelven ilegibles o faltan, llame al 1-800-4-DeWALT (1-800-433-9258) para que se le reemplacen gratuitamente.

ESPECIFICACIONES

DCS375 12 V Máx* 380 SFPM

**Compatible battery packs and chargers / Blocs-piles et chargeurs compatibles /
Baterías y cargadores compatibles**

12V Max* Li-Ion	Battery Packs	
	Blocs-piles	DCB120, DCB122, DCB124, DCB127
	Baterías	
	Chargers	
	Chargeurs	DCB103, DCB104, DCB107, DCB112, DCB113, DCB115
	Cargadores	

* Maximum initial battery voltage (measured without a workload) is 12 volts. Nominal voltage is 10.8.

* La tension initiale maximum du bloc-piles (mesurée à vide) est de 12 volts. La tension nominale est de 10,8.

* El máximo voltaje inicial de la batería (medido sin carga de trabajo) es 12 voltios. El voltaje nominal es de 10,8.



WARNING: Use of any other battery packs may create a risk of injury and fire.



AVERTISSEMENT : utiliser d'autres blocs-piles peut créer un risque de blessure ou d'incendie.



ADVERTENCIA: El uso de cualquier otro paquete de batería puede crear un riesgo de lesiones e incendio.

DEWALT Industrial Tool Co. 701 East Joppa Road, Towson, MD 21286

Copyright © 2020

The following are trademarks for one or more DEWALT power tools: the yellow and black color scheme, the “D” shaped air intake grill, the array of pyramids on the handgrip, the kit box configuration, and the array of lozenge-shaped humps on the surface of the tool.