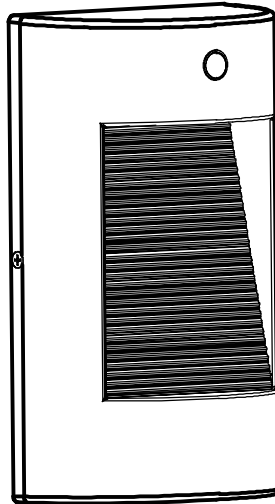


## SECURITY HALF MOON LIGHT INSTALLATION INSTRUCTIONS

**WARNING:** These products may represent a possible shock or fire hazard if improperly installed or attached in any way. Products should be installed in accordance with the owners manual, current electrical codes and/or the current National Electric Code (NEC).

**PARTS INCLUDED**

- (1) Security half moon light
- (1) Mounting bracket
- (3) Wire nuts



**CAUTION, IMPORTANT SAFETY INSTRUCTIONS** - Make sure the supply voltage is the same as the rated luminaire voltage. Do not install where marked operating temperatures exceed the ignition temperature of the hazardous atmosphere. Do not operate in ambient temperatures above those indicated on the luminaire nameplate. To avoid the risk of fire, explosion, or electric shock, this product should be installed, inspected and maintained by a qualified electrician only, in accordance with all applicable electrical codes. Be certain electrical power is OFF before and during installation and maintenance.

**Note:** Save these instructions for future reference.

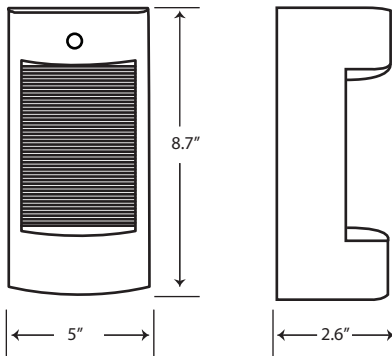
For supply connections use wire rated for at least 90°C

**CAUTION:** Input 120VAC

**LIMITED WARRANTY**

This product is warranted to be free from defects in workmanship and materials for up to 5 years from date of purchase. If it fails to do so, please contact Feit Electric at info@feit.com or call 1-866 326-BULB (2852) for instructions on replacement. Do not return the product to the store.

For comments please write to:  
 Feit Electric  
 Customer Service Department  
 4901 Gregg Road, Pico Rivera, CA 90660



This device complies with part 15 of the FCC Rules. Operation is subject to the following two conditions: (1) This device may not cause harmful interference, and (2) this device must accept any interference received, including interference that may cause undesired operation. Note: This equipment has been tested and found to comply with the limits for a Class B digital device, pursuant to part 15 of the FCC Rules. These limits are designed to provide reasonable protection against harmful interference in a residential installation. This equipment generates, uses and can radiate radio frequency energy and, if not installed and used in accordance with the instructions, may cause harmful interference to radio communications.

However, there is no guarantee that interference will not occur in a particular installation. If this equipment does cause harmful interference to radio or television reception, which can be determined by turning the equipment off and on, the user is encouraged to try to correct the interference by one or more of the following measures: Reorient or relocate the receiving antenna. Increase the separation between the equipment and receiver. Connect the equipment into an outlet on a circuit different from that to which the receiver is connected. Consult the dealer or an experienced radio/TV technician for help. Any changes or modifications not expressly approved by the manufacture could void the user's authority to operate the equipment.

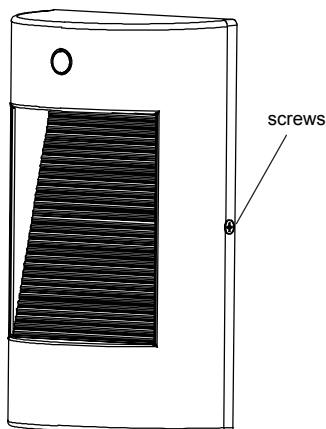


**WARNING:** TURN OFF THE MAIN POWER AT THE CIRCUIT BREAKER BEFORE INSTALLING THE FIXTURE IN ORDER TO PREVENT POSSIBLE ELECTRIC SHOCK.

### J-Box Mount Installation

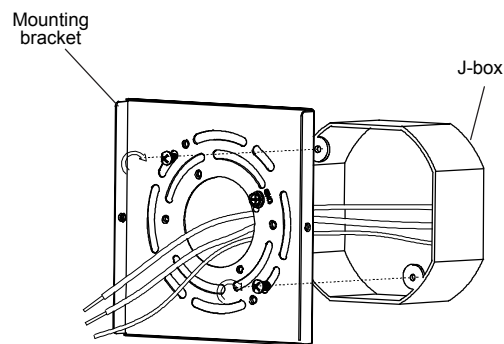
1. Remove fixture from mounting bracket by unscrewing the 2 side screws on the fixture (Fig. A).

Fig A.



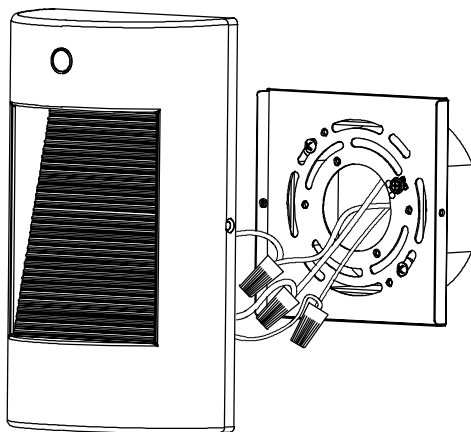
2. Make sure power is off. Feed power supply wires through center mounting bracket's hole. Install mounting bracket onto the J-box (Fig B).

Fig B.



3. Connect the power supply wires to the fixture, ground to green, neutral to white and hot to black. Feed wires into the J-box (Fig C).

Fig C.



4. Mount fixture and screws onto the mounting bracket. Hand tighten the screws with a screw driver. Caulk between the fixture and the wall surface with silicone sealant (not included). (Fig D).

Fig D.

