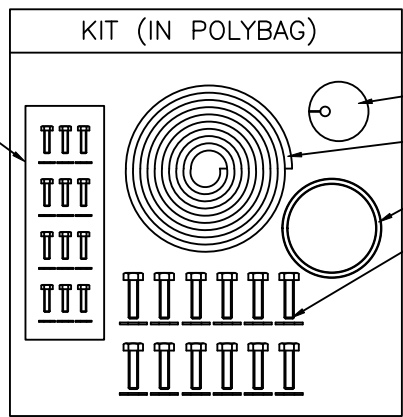


(8) 1/4-20x1 S.S. BOLTS, WASHERS, AND NYLON THREADED INSERTS



(12) 1/4-20x1 S.S. BOLTS AND WASHERS

DESCRIPTION	REVISION
ADDED 1/4-20 BOLT PACK TO KIT	12-20-17
CHANGE BOLTS IN KIT TO 3/8-16X1	6-02-11
INCREASE NUMBER OF BOLT HOLES TO TWELVE	8-15-06

**JACKEL, INC.**  
 15314 HARRISON RD., MISHAWAKA, IN 46544  
 ph 574.256.5635, fax 574.256.6966, www.jackelinc.com

PART NAME SF24S-BL		CUSTOMER	
PART NUMBER		MATERIAL STRUCTURAL FOAM	
FINISH BLACK, AS MOLDED		SCALE NTS	
UNITS INCHES		TOLERANCE	
DESIGN ENG. J.HASLOCK		DRAWN BY S.JACKMAN	
REVISION		SCALE NTS	
		REVISED 12-20-17	
		SHEET OF 1 1	
		DATE 2-03-06	