



Georgetown

Installation Manual

Model: 51878 Matte Silver
51879 Flat Matte Black
51880 Fresh White
Fan weight ± 2 lbs: 23.4 lbs (10.6 kg)

Hunter

©2022 Hunter Fan Co.
M3961-01 r080522

Congratulations on purchasing your new Hunter® ceiling fan!

The ceiling fan you purchased will provide comfort and performance in your home or office for many years. This instruction manual contains complete instructions for installing and operating your fan. We are proud of our work and appreciate the opportunity to supply you with the best ceiling fan available anywhere in the world.

We are here to help!

This Instruction Manual is designed to make installation as simple as possible. While working through this Instruction Manual, keep your smartphone or tablet nearby. We have added video links to help you through the more technical sections. If you are unfamiliar or uncomfortable with wiring, contact a qualified electrician. We also provide telephone support at 1.888.830.1326 or visit us at HunterFan.com.



READ and SAVE These Instructions

⚠ WARNING

Warning



- w.1** To reduce the risk of fire, electrical shock, or personal injury, mount fan directly from building structure and/or an outlet box marked acceptable for fan support of 70 lbs (31.8 kg) and use the mounting screws provided with the outlet box.
- w.2** To avoid possible electrical shock, before installing or servicing your fan, disconnect the power by turning off the circuit breakers to the outlet box and associated wall switch location. If you cannot lock the circuit breakers in the off position, securely fasten a prominent warning device, such as a tag, to the service panel.
- w.3** To reduce the risk of electric shock, this fan must be installed with an isolating wall control/switch.
- w.4** To reduce the risk of personal injury, do not bend the blade brackets when installing the blade brackets, balancing the blades, or cleaning the fan. Do not insert foreign objects in between rotating fan blades.
- w.5** Non-rechargeable batteries are not to be recharged. Exhausted batteries are to be removed from the product.
- w.6** This appliance can be used by children aged from 8 years and above and persons with reduced physical, sensory or mental capabilities or lack of experience and knowledge if they have been given supervision or instruction concerning use of the appliance in a safe way and understand the hazards involved. Children shall not play with the appliance. Cleaning and user maintenance shall not be made by children without supervision. It is recommended that children be supervised to ensure that they are not using the appliance improperly.

Caution

- c.1** All wiring must be in accordance with national and local electrical codes ANSI/NFPA 70. If you are unfamiliar with wiring, use a qualified electrician.
- c.2** Use only Hunter replacement parts.

This equipment has been tested and found to comply with the limits for a Class B digital device, pursuant to part 15 of the FCC Rules. These limits are designed to provide reasonable protection against harmful interference in a residential installation. This equipment generates, uses and can radiate radio frequency energy and if not installed and used in accordance with the instructions may cause harmful interference to radio communications.

However, there is no guarantee that interference will not occur in a particular installation. If this equipment does cause harmful interference to radio or television reception, which can be determined by turning the equipment off and on, the user is encouraged to try to correct the interference by one or more of the following measures:

- Reorient or relocate the receiving antenna.
- Increase the separation between the equipment and receiver.
- Connect the equipment into an outlet on a circuit different from that to which the receiver is connected.
- Consult the dealer or an experienced radio/TV technician for help.

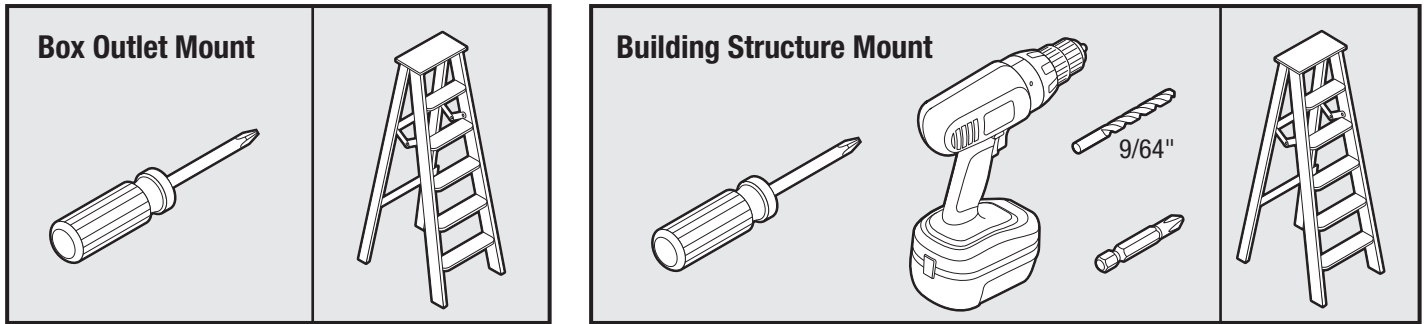
Caution: modifications not approved by the party responsible for compliance could void user's authority to operate the equipment.

This device complies with Part 15 of the FCC Rules. Operation is subject to the following two conditions: (1) This device may not cause harmful interference, and (2) this device must accept any interference received, including interference that may cause undesired operation.

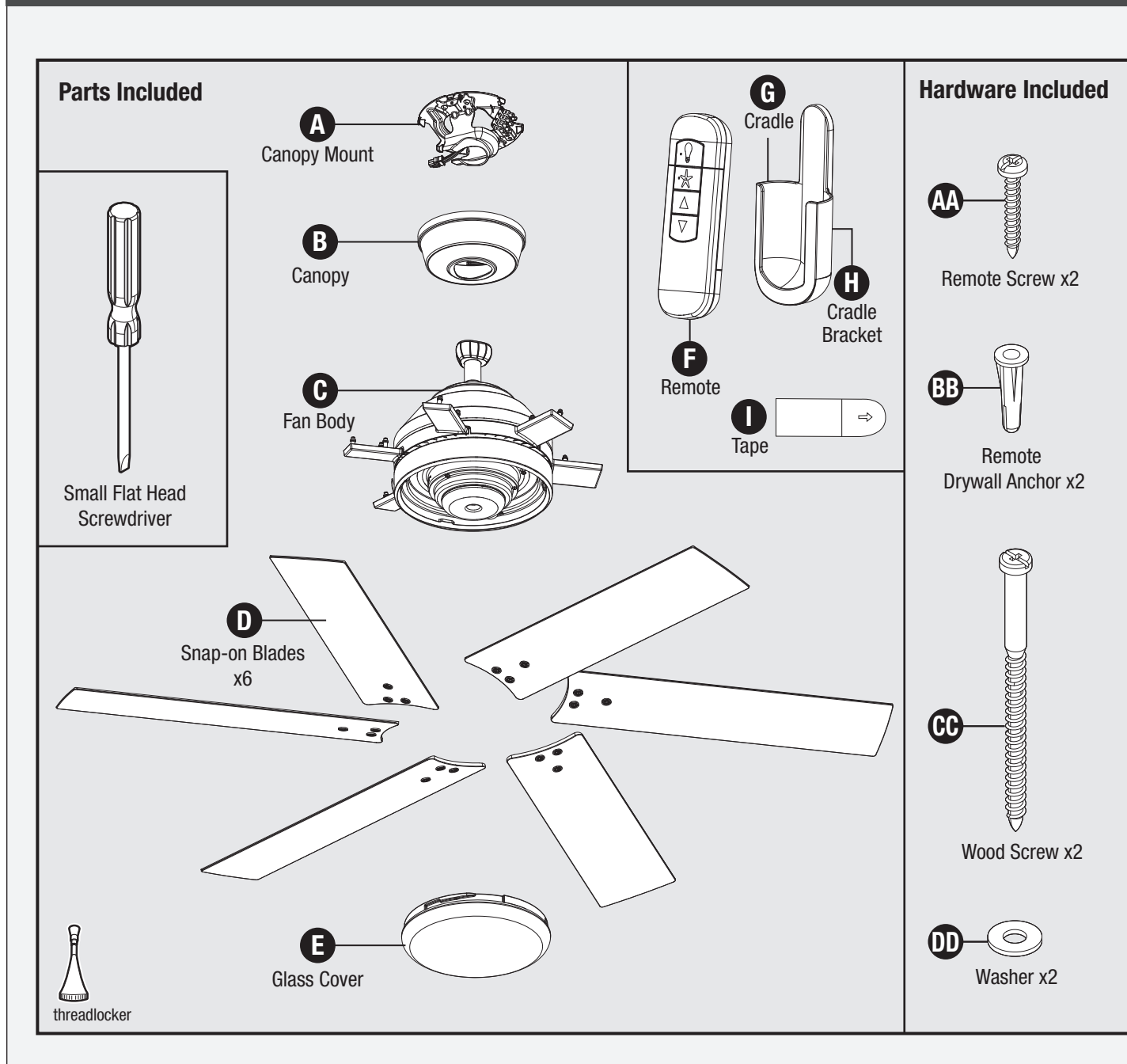
This product conforms to UL Standard 507.



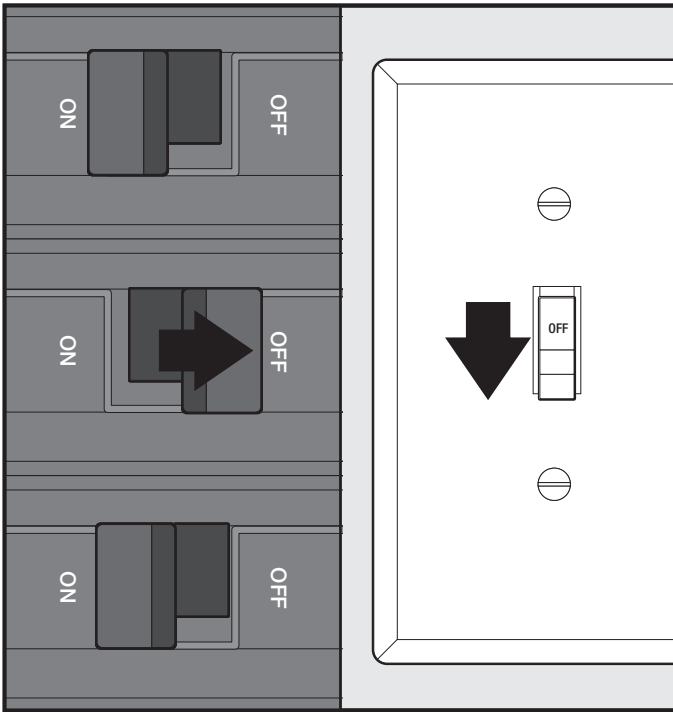
Tools Needed for Installation



Box Contents



Before Beginning Installation



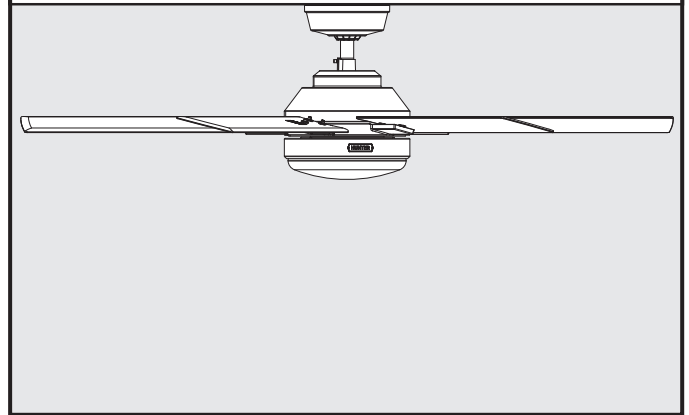
Turn Power **OFF**, breaker and light switch.

! WARNING



To avoid possible electrical shock, before installing your fan, disconnect the power by turning off the circuit breakers to the outlet box associated with the wall switch location.

Standard Mount



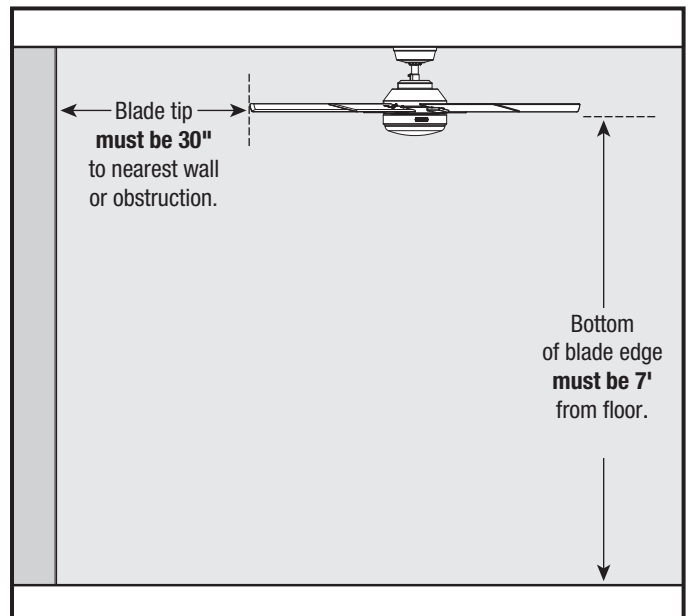
This installation is for **flat ceilings** using the short pre-installed downrod ceiling fans.

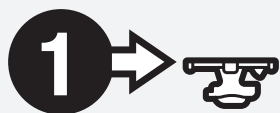
IMPORTANT

The **longest** accessory downrod that can be used with HunterExpress® fans is **12-inches**.

When using the longer down rod, threadlocker will need to be applied (see Installation—Longer Downrod at the end of this manual for more information).

Room Dimensions

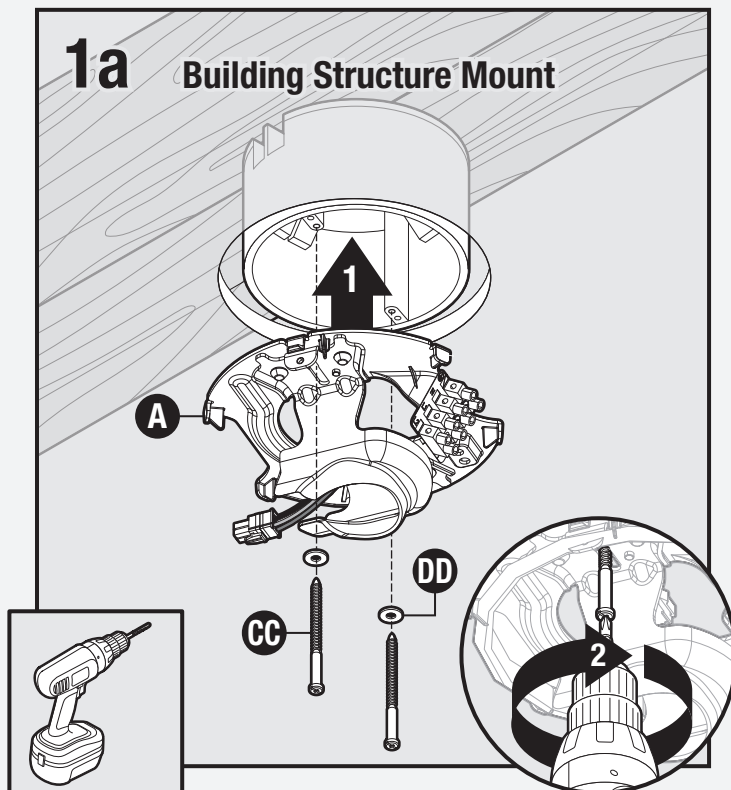




Prep

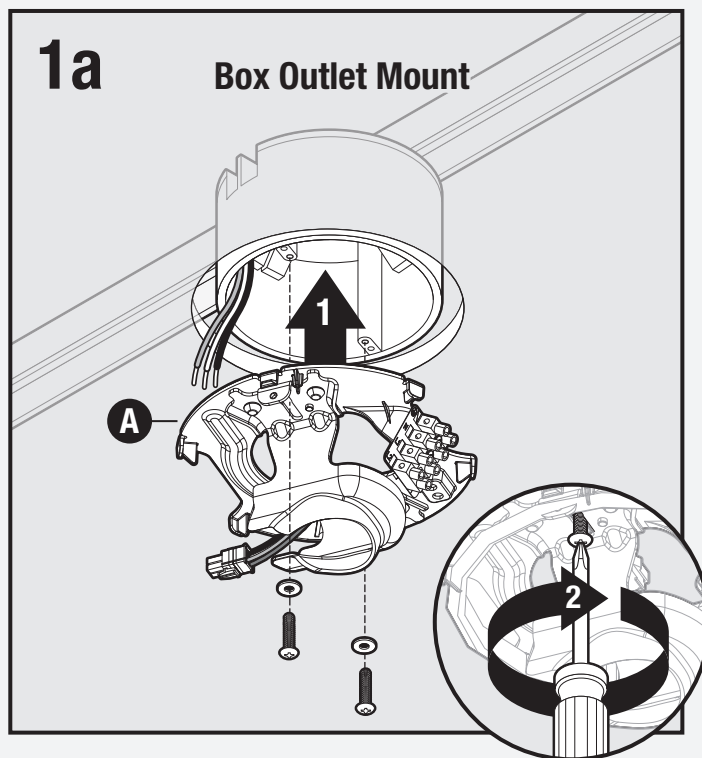
- You must be able to secure the fan to building structure or fan-rated outlet box.
- You have two options for installation. Pick which one works best for your location. Remove any existing bracket prior to installation.

1a Building Structure Mount



Using wood screws (CC) and washers (DD) included, install canopy mount (A) through box outlet into building structure. Drilling 9/64" pilot holes in building structure will aid in securing canopy mount (A).

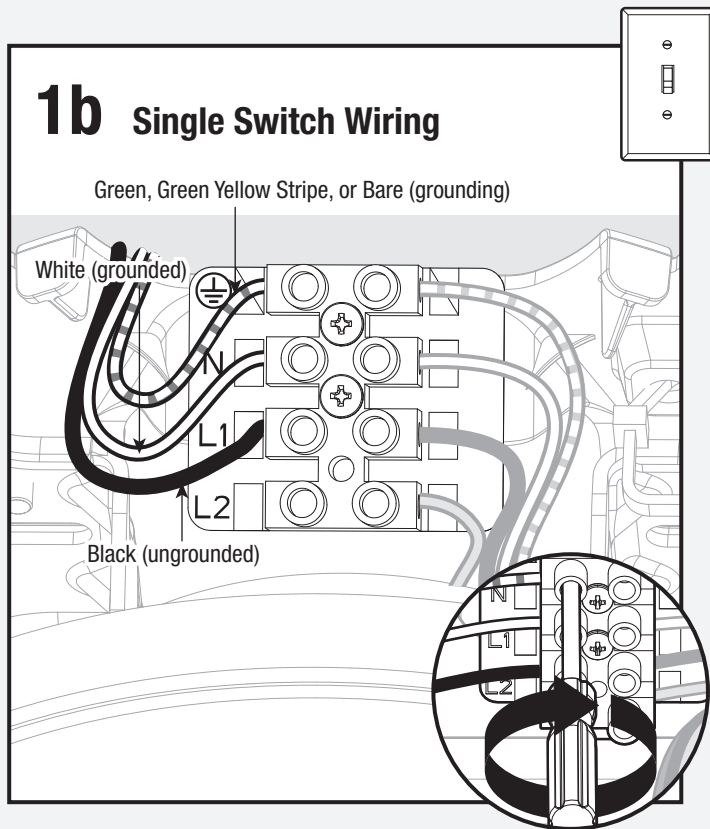
1a Box Outlet Mount



Install canopy mount (A) to box outlet. Secure with machine screws and washers (provided with outlet box).

Hunter

Installation – Canopy Mount and Terminal Wiring (continued)



Connect wiring from ceiling to terminal block (on side of canopy mount) and tighten using flathead screwdriver (included).

⚠ WARNING

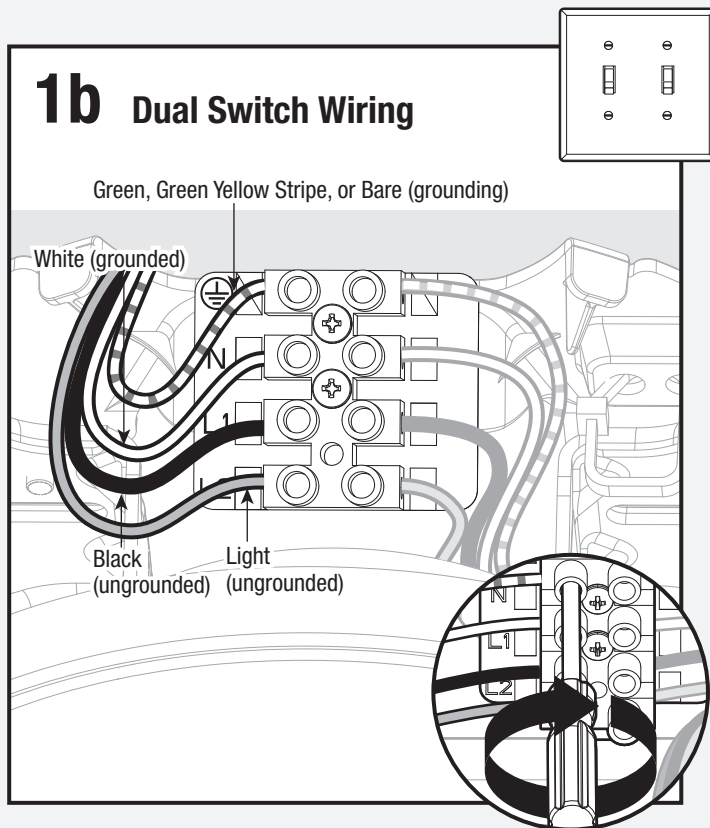


The ceiling fan **must** be grounded. If the ground wire for the installation site is not present, immediately **STOP** installation and consult a qualified electrician.

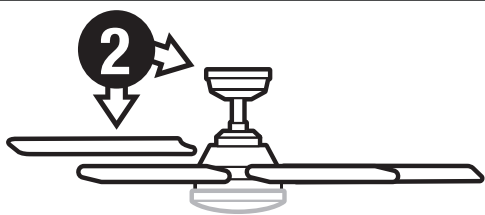
⚠ WARNING



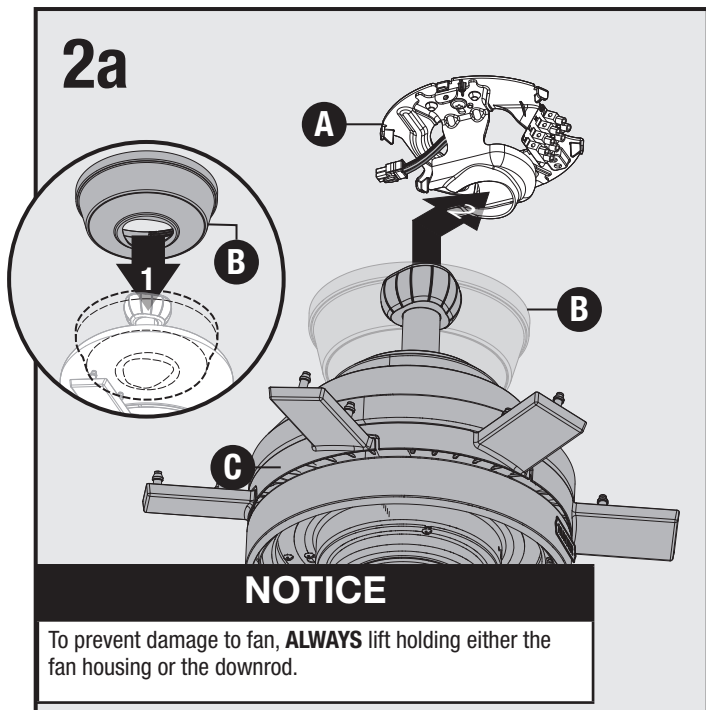
All wiring **must** be in accordance with national and local electrical codes ANSI/NFPA70. If you are unfamiliar with wiring or in doubt, consult a qualified electrician.



Connect wiring from ceiling to terminal block (on side of canopy mount) and tighten using flathead screwdriver (included).



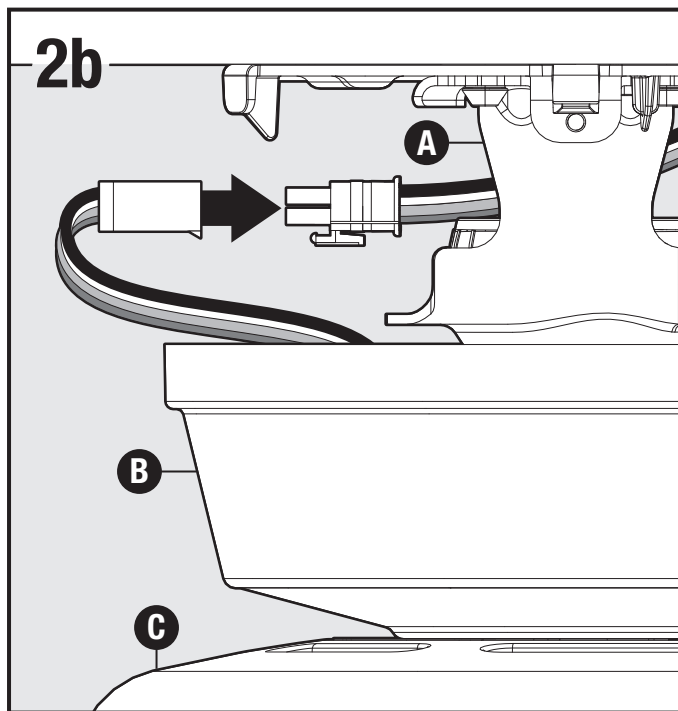
Connect



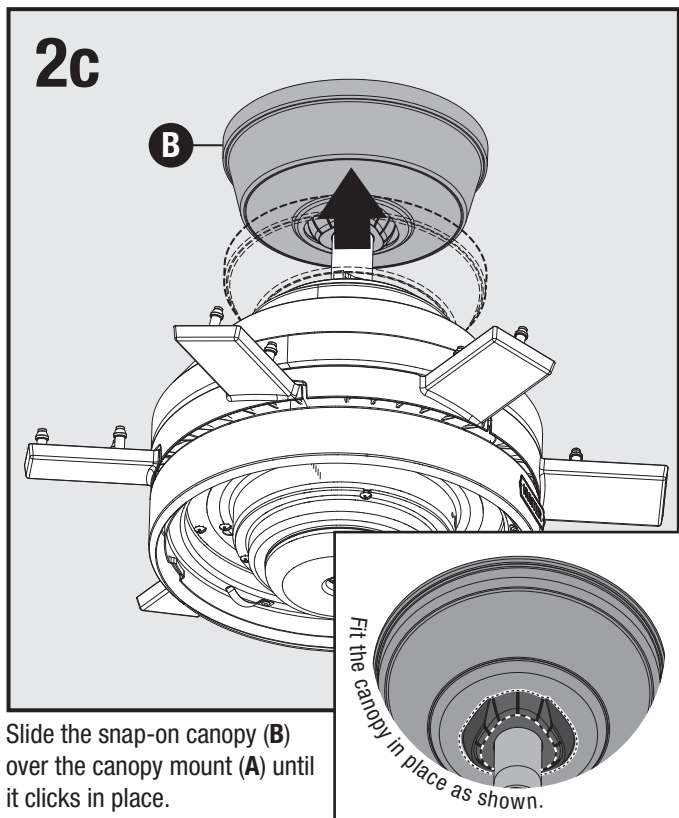
NOTICE

To prevent damage to fan, **ALWAYS** lift holding either the fan housing or the downrod.

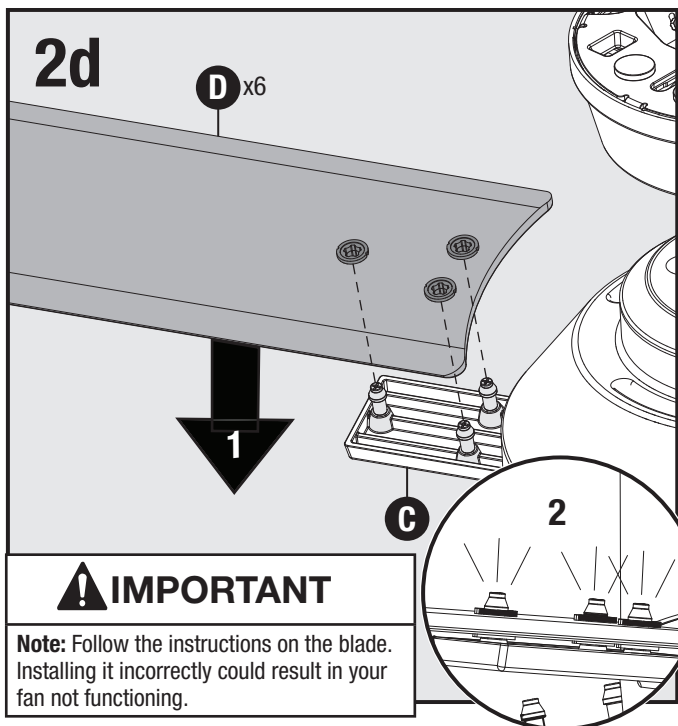
Install snap-on canopy (B) over downrod on fan body (C). Place the downrod ball into the slot in canopy mount (A) with built-in ceiling bracket.



Connect wiring harness from canopy mount (A) to wiring harness from fan body (C).



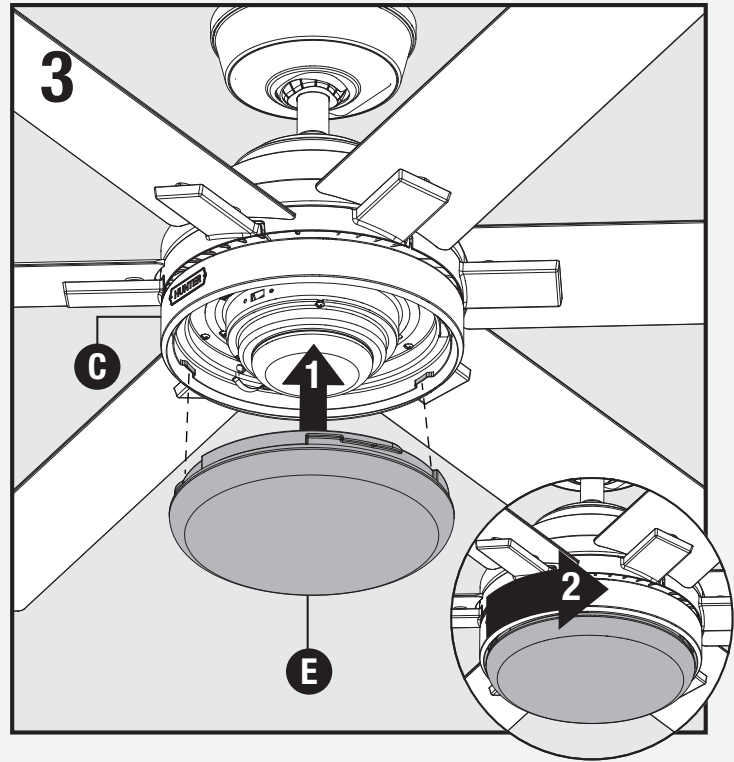
Slide the snap-on canopy (B) over the canopy mount (A) until it clicks in place.



! IMPORTANT

Note: Follow the instructions on the blade. Installing it incorrectly could result in your fan not functioning.

Install a snap-on blade to pop locks on pre-installed blade iron (C). Repeat for remaining blades (D).



Align, lift and twist to lock glass cover (E) to bottom of fan assembly (C).

⚠ WARNING

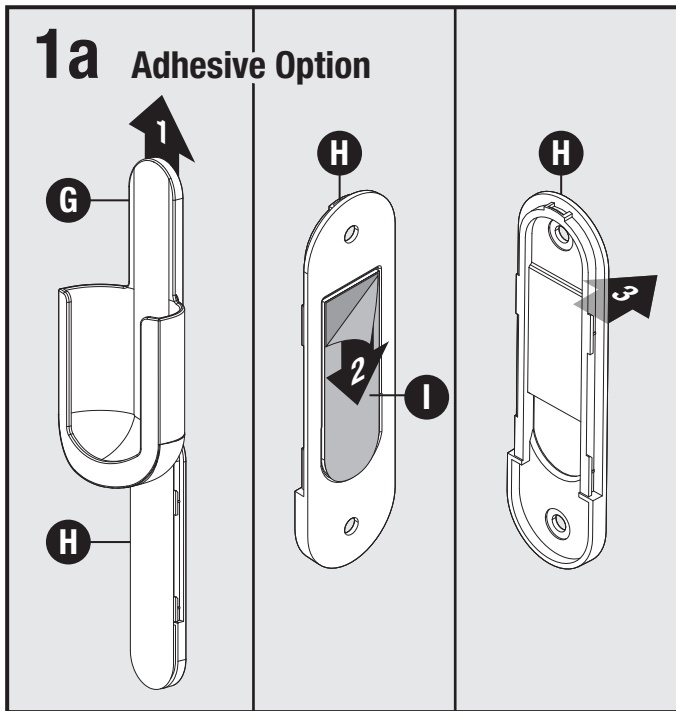
GLASS FALL HAZARD

To prevent **SERIOUS INJURY** or **DEATH**, make **sure that glass is properly secured**.

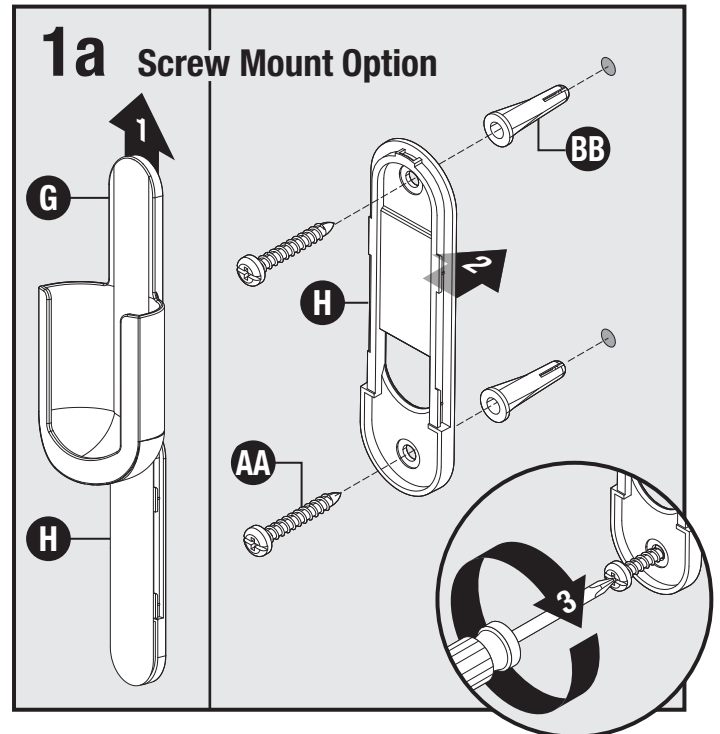


Hunter®

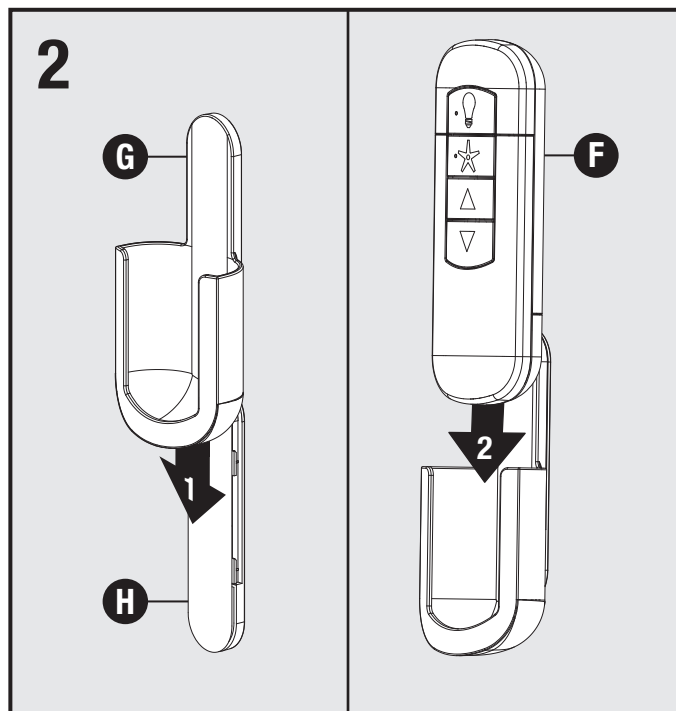
Installation – Remote Cradle



Remove cradle (G) from cradle bracket (H). Separate lining from back of adhesive (I). Press cradle bracket (H) against wall for 30 seconds.

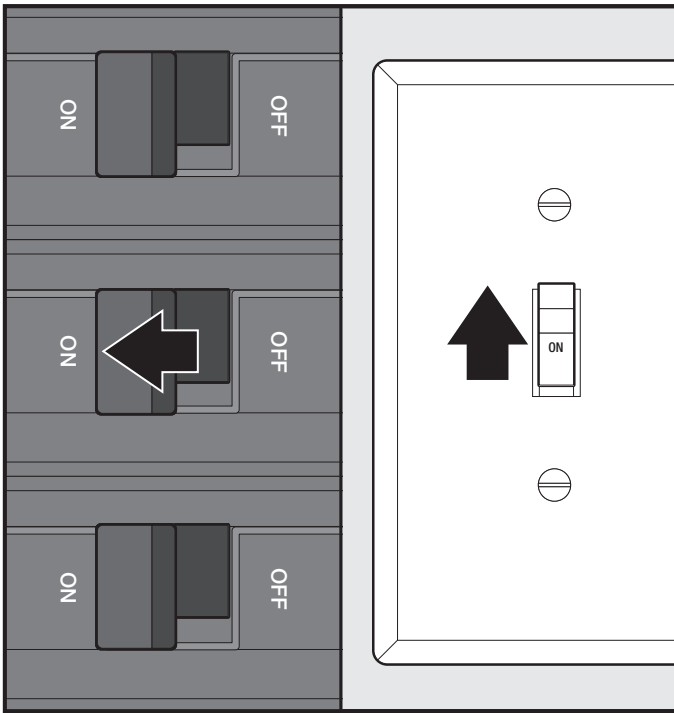


Remove cradle (G) from cradle bracket (H). Drill two 9/64" holes, install cradle bracket (H) to wall with drywall anchors (BB) and screws (AA).



Slide the cradle (G) onto mounted cradle bracket (H). Place remote (F) into cradle.

Installation - Final



Turn Power **ON**, breaker and main switch.

Operation – Remote

Remote Function Guide	
Key Press	Function
+ Quick Press	Light On/Off
+ Long Press	Light Dimming
+ Quick Press	Fan On/Off
+ Quick Press	Raise Fan Speed
+ Quick Press	Lower Fan Speed
+ Long Press	Fan Reverse
Long Press	Fan High
Long Press	Fan Low
Long Press +	Enable Beep
Long Press +	Disable Beep
Long Press +	Dimming Mode On/Off

NOTICE

- Always purchase the correct size and grade of battery most suitable for the intended use.
- Replace all batteries of a set at the same time.
- Clean the battery contacts and also those of the device prior to battery installation.
- Ensure the batteries are installed correctly with regard to polarity (+ and -).
- Remove batteries from equipment which is not to be used for an extended period of time.
- Remove used batteries promptly.

The remote control is already paired for use. For your convenience a remote function card is packed in with your remote.

Install two AAA batteries, found in the remote control hardware bag, into the transmitter. Clean the battery contacts prior to installing the batteries. Please contact your local battery recycling center for proper battery disposal information.

Troubleshooting

Fan Does Not Work

- Make sure power switch is on.
- Check the circuit breaker to ensure the power is turned on.
- Make sure the blades spin freely.
- Turn off power from the circuit breaker, then loosen the canopy and check all the connections according to the wiring diagram.

Excessive Wobbling

- Make sure the blades are properly installed on the blade iron posts.
- Turn the power off, support the fan carefully, and check that the hanger ball is properly seated.

Remote Control of Fan is Erratic

- Make sure the batteries are installed correctly.
- Install fresh batteries.

Remote Only Works Close to Fan

- Change batteries.

Noisy Operation

- Make sure the blades are properly installed.
- Check to see if any of the blades are cracked. If so, replace all of the blades.

Multiple Remote Issues

- If you have multiple remotes or multiple remote controlled fans installed on the same circuit breaker and you are experiencing interference or faulty operation of your remote controls, please go to www.HunterFan.com/FAQs and click “How do I properly install multiple remote-controlled fans?” for information on how to correct this issue.

Limited Lifetime Warranty

Hunter Fan Company grants this limited warranty to the original purchaser of this Hunter ceiling fan. This document can be found at www.HunterFan.com.

Thank you for choosing Hunter!

How Can Warranty Service Be Obtained?

Proof of purchase is required when requesting warranty service. The original purchaser must present a sales receipt or other document that establishes proof of purchase.

Hunter, at its sole discretion, may accept a gift receipt. To obtain service, contact Hunter Fan Company online or by phone.

www.HunterFan.com/Support/Contact-Us/

1-888-830-1326

Please do not ship your fan or any fan parts to Hunter. Delivery will be refused.

What Does This Warranty Cover?

Motor — Limited Lifetime Warranty

If any part of your ceiling fan motor fails during your ownership of the fan due to a defect in material or workmanship, as determined solely by Hunter, Hunter will provide you with a replacement fan free of charge.* The foregoing limited warranty applies only to the motor itself and does not apply to electronic controls – such as remote control transmitters, remote control receivers, or capacitors – used in conjunction with the motor. Such electronic control items are included in the one-year limited warranty below.

Other — One-Year Limited Warranty

Except as otherwise indicated throughout this warranty, if any part of your Hunter ceiling fan fails at any time within one year of the date of purchase due to a defect in material or workmanship, as determined solely by Hunter, Hunter will provide a replacement part free of charge.*

Light Kits — Warranty May Vary

Light kits are included in the one-year limited warranty. However, you may qualify for additional warranty coverage if your fan includes one of the following:

- LED Light Kits — Three-Year Limited Warranty If your LED light kit module (not including glass components) or LED bulb fails at any time within three years of the date of purchase due to a defect in material or workmanship, as determined solely by Hunter, Hunter will provide a replacement part free of charge.*

* If no replacement product/part can be provided for your fan, we will provide a comparable or superior replacement product/part at the sole discretion of Hunter.

What Does This Warranty NOT Cover?

Labor Excluded. This warranty does not cover any costs or fees associated with the labor (including electrician's fees) required to install, remove, or replace a fan or any fan parts. There is no warranty for light bulbs (except where otherwise noted); remote control batteries; fans purchased or installed outside the United States; fans owned by someone other than the original purchaser; fans for which proof of purchase has not been established; fans purchased from an unauthorized dealer; ordinary wear and tear; minor cosmetic blemishes; refurbished fans; and fans that are damaged due to any of the following: improper installation, misuse, abuse, improper care, failure to follow Hunter instructions, accidental damage caused by the fan owner or related parties, modifications to the fan, improper or incorrectly performed maintenance or repair, improper voltage supply or power surge, use of improper parts or accessories, failure to provide maintenance to the fan, or acts of God (e.g. flood).

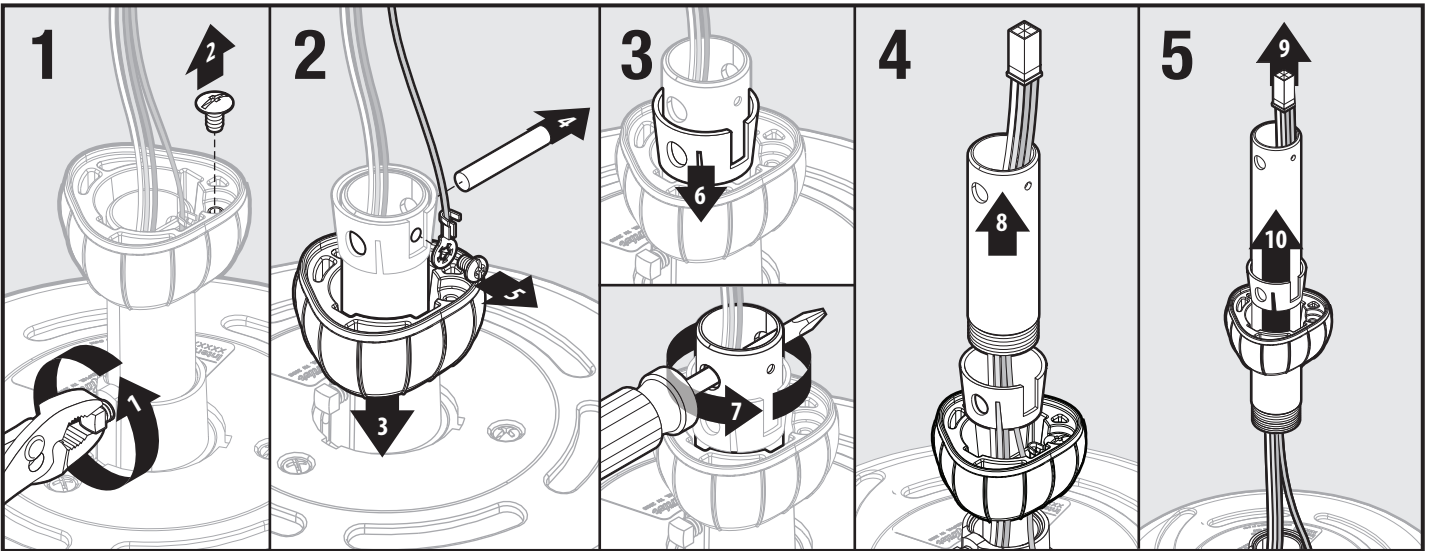
ORIGINAL PURCHASER'S SOLE AND EXCLUSIVE REMEDY FOR A CLAIM OF ANY KIND WITH RESPECT TO THIS PRODUCT SHALL BE THE REMEDIES SET FORTH HEREIN. HUNTER FAN COMPANY IS NOT RESPONSIBLE FOR CONSEQUENTIAL OR INCIDENTAL DAMAGES, DUE TO PRODUCT FAILURE, WHETHER ARISING OUT OF BREACH OF WARRANTY, BREACH OF CONTRACT, OR OTHERWISE. Some States do not allow the exclusion or limitation of incidental or consequential damages, so the above limitation or exclusion may not apply to you.

ANY IMPLIED WARRANTIES OF MERCHANTABILITY OR FITNESS FOR A PARTICULAR PURPOSE APPLICABLE TO THIS PRODUCT ARE LIMITED IN DURATION TO THE PERIOD OF COVERAGE OF THE APPLICABLE LIMITED WARRANTIES SET FORTH ABOVE. Some States do not allow limitations on how long an implied warranty lasts, so the above limitation may not apply to you.

How Does State Law Affect Warranty Coverage?

This warranty gives you specific legal rights. You may also have other rights which vary from state to state.

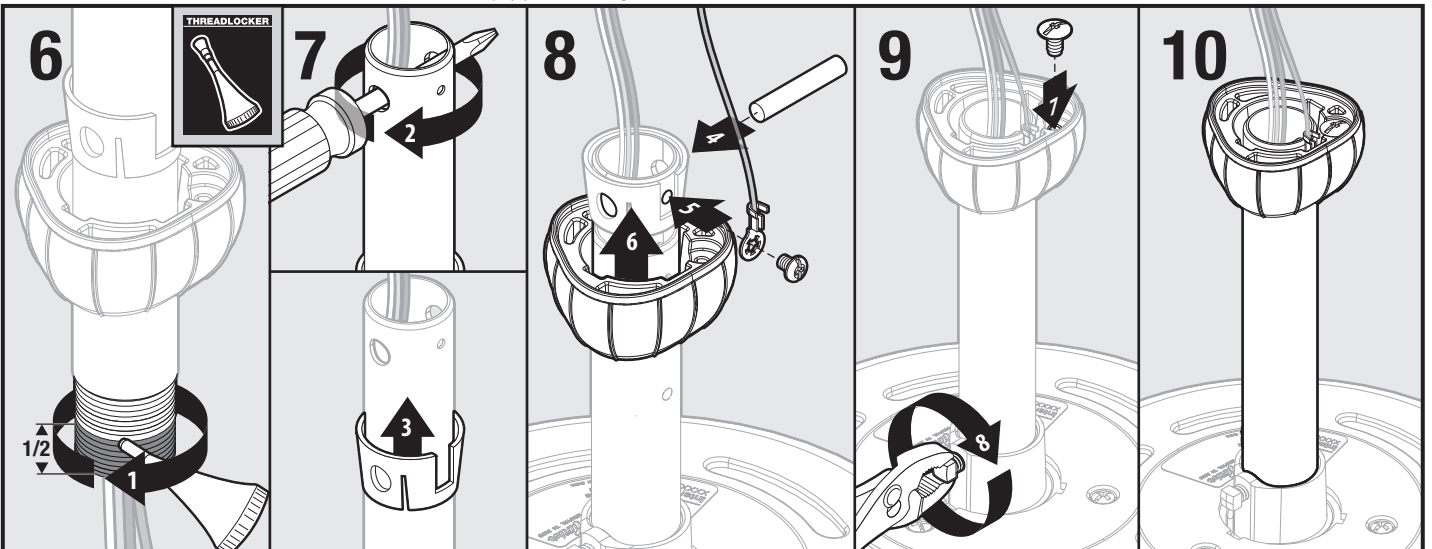
Installation - Long Downrod



1. Loosen set screw (1) and remove ball screw (2).
2. Slide ball down (3), remove small metal pin (4) and ground screw (5).
3. Slide down inner sleeve (6). Place screwdriver through hole in downrod (7) making sure not to hit or twist wiring. Twist screwdriver counter-clockwise to break downrod free.
4. Remove ball, inner sleeve and downrod from fan body (8) and wiring

harness.

5. Route ground wire and wiring harness through accessory downrod—12" max. (9). Slide inner sleeve and ball over downrod (10).



6. After cleaning pipe thread area, apply 1 ml threadlocker to lower half of downrod (1).
Risk phrases: R43 May cause sensitisation by skin contact. R52/53 Harmful to aquatic organisms, may cause long-term adverse effects in the aquatic environment.
Safety phrases: S61 Avoid release to the environment. Refer to special instructions/Safety data sheets. S24 Avoid contact with skin. S37 Wear suitable gloves.

7. Place screwdriver through hole in downrod (2) making sure not to hit or twist wiring. Twist screwdriver clockwise to tighten. Slide up inner sleeve (3).
8. Reinstall small metal pin (4) and ground screw (5). Slide ball up (6).
9. Reinstall ball screw (7) and tighten set screw (8).
10. Assembled downrod.

⚠ WARNING

This product can expose you to chemicals including Cumene, which is known to the State of California to cause cancer. (For more information, go to www.P65Warnings.ca.gov.)

Hunter

© 2022 Hunter Fan Company
7130 Goodlett Farms Pkwy, Suite 400 | Memphis TN 38016