

Mikah™ Technical Specification

3 Piece Bath Accessory Kit

Y0733

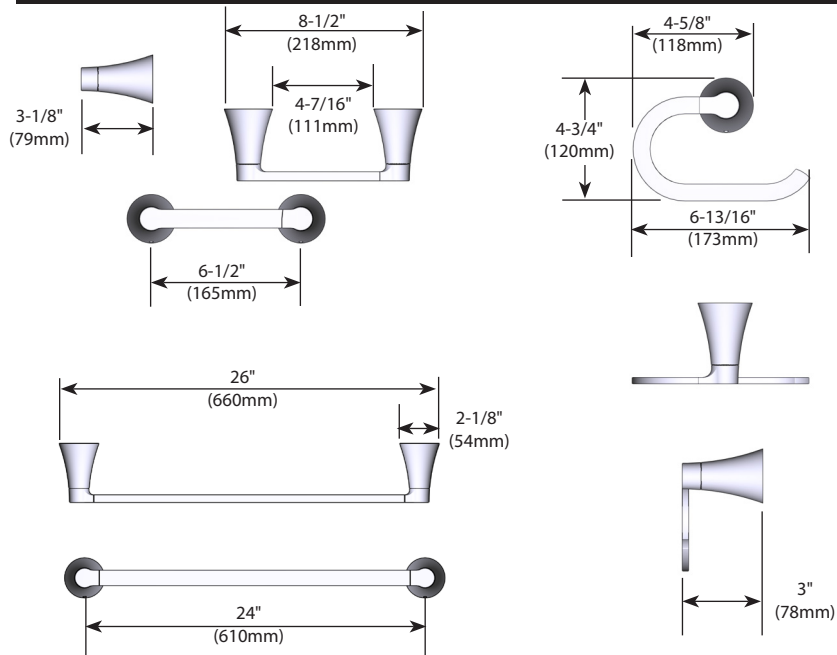
Stock Numbers:

- Y0733BN – Pivoting Paper Holder, Towel Ring, 24" Towel Bar**
Brushed Nickel
- Y0733 BL – Pivoting Paper Holder, Towel Ring, 24" Towel Bar**
Matte Black

Materials:

Pivoting Paper Holder, Towel Ring, & 24" Towel Bar are constructed of zinc.

Dimensions:



Installation Instructions:

Tools Required: Phillips screwdriver, drill, 1/4" drill bit, hammer, level, tape
Hardware Kit Contents: 2 anchors, 1 hex wrench.

Note: Directions below are for installation into drywall. If installing product into a stud, use the wood screws only.

See instructions inside of the product box.

Cleaning Instructions:

To preserve the fine finish of this product, clean only with a soft damp cloth. Dry well. Do not use commercial or abrasive cleaners.

Stock Number: Y0733 Pivoting Paper Holder, Towel Ring, 24" Towel Bar

25300 AL MOEN DRIVE • NORTH OLMSTED, OH 44070
CORPORATE HEADQUARTERS: (800) 321-8809 • FAX: (800) 848-6636
INTERNATIONAL: (440) 962-2000 • FAX: (440) 962-2726
CUSTOMER SERVICE (USA): 800-882-0116 • FAX: (888) 379-2720
WWW.MOEN.COM

© 2021 Moen Incorporated. Moen is a registered trademark and Mikah is a trademark of Moen Incorporated. All rights reserved.

MOEN®