

DEWALT®



**Instruction Manual
Guide D'utilisation
Manual de instrucciones**

DWFP2350

Pin Nailer

Cloueuse à tiges

Pistola de Clavos de Pasador

www.DEWALT.com

**If you have questions or comments, contact us.
Pour toute question ou tout commentaire, nous contacter.
Si tiene dudas o comentarios, contáctenos.**

1-800-4-DEWALT

ENGLISH

English (**original instructions**) 1

Français (*traduction de la notice d'instructions originale*) 9

Español (*traducido de las instrucciones originales*) 18

Definitions: Safety Alert Symbols and Words

This instruction manual uses the following safety alert symbols and words to alert you to hazardous situations and your risk of personal injury or property damage.



DANGER: Indicates an imminently hazardous situation which, if not avoided, **will** result in **death or serious injury**.



WARNING: Indicates a potentially hazardous situation which, if not avoided, **could** result in **death or serious injury**.



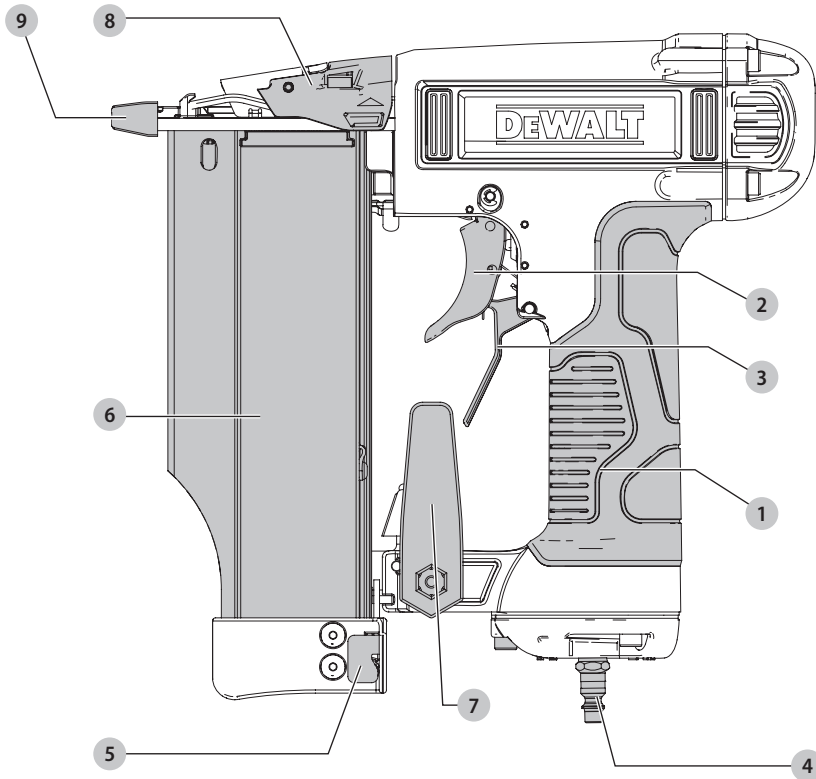
CAUTION: Indicates a potentially hazardous situation which, if not avoided, **may** result in **minor or moderate injury**.



(Used without word) Indicates a safety related message.

NOTICE: Indicates a practice **not related to personal injury** which, if not avoided, **may** result in **property damage**.

Fig. A



- | | |
|--------------------------|--------------|
| 1 Handle | 6 Magazine |
| 2 Primary trigger | 7 Belt hook |
| 3 Secondary trigger | 8 Nose cover |
| 4 1/4" male fitting | 9 No-mar tip |
| 5 Magazine release lever | |



WARNING! Read all safety warnings and all instructions. Failure to follow the warnings and instructions may result in electric shock, fire and/or serious injury.



WARNING: To reduce the risk of injury, read the instruction manual.

If you have any questions or comments about this or any DEWALT tool, call us toll free at: 1-800-4-DEWALT (1-800-433-9258).

ENGLISH

DeWALT tools are precision-built tools, designed for precise, high volume nailing. These tools will deliver efficient, dependable service when used correctly and with care. As with any fine power tool, for best performance the manufacturer's instructions must be followed. Please study this manual before operating the tool and understand the safety warnings and cautions. The instructions on installation, operation and maintenance should be read carefully, and the manual kept for reference.

NOTE: Additional safety measures may be required because of your particular application of the tool. Contact your DeWALT representative or distributor with any questions concerning the tool and its use.

DeWALT, 701 E. Joppa Road, Towson, Maryland 21286, U.S. & Canada Only, É.-U. et Canada seulement

DeWALT tools have been engineered to provide excellent customer satisfaction and are designed to achieve maximum performance when used with precision DeWALT fasteners engineered to the same exacting standards.

DeWALT cannot assume responsibility for product performance if our tools are used with fasteners or accessories not meeting the specific requirements established for genuine DeWALT nails, staples and accessories.

Safety Information



WARNING: ALWAYS use safety glasses. Everyday eyeglasses are NOT safety glasses. Also use face or dust mask if cutting operation is dusty. ALWAYS WEAR CERTIFIED SAFETY EQUIPMENT:

- ANSI Z87.1 eye protection (CAN/CSA Z94.3),
- ANSI S12.6 (S3.19) hearing protection,
- NIOSH/OSHA/MSHA respiratory protection.



WARNING: Some dust created by power sanding, sawing, grinding, drilling, and other construction activities contains chemicals known to the State of California to cause cancer, birth defects or other reproductive harm. Some examples of these chemicals are:

- lead from lead-based paints,
- crystalline silica from bricks and cement and other masonry products, and
- arsenic and chromium from chemically-treated lumber.

Your risk from these exposures varies, depending on how often you do this type of work. To reduce your exposure to these chemicals: work in a well ventilated area, and work with approved safety equipment, such as those dust masks that are specially designed to filter out microscopic particles.

- **Avoid prolonged contact with dust from power sanding, sawing, grinding, drilling, and other construction activities. Wear protective clothing and wash exposed areas with soap and water.** Allowing dust to get into your mouth, eyes, or lay on the skin may promote absorption of harmful chemicals.



WARNING: Always wear proper personal hearing protection that conforms to ANSI S12.6 (S3.19) during use. Under some conditions and duration

of use, noise from this product may contribute to hearing loss.



WARNING: (Air and Supply)

- Do not use oxygen, combustible gases, or bottled gases as a power source for this tool as tool may explode, possibly causing injury.
- Do not use supply sources which can potentially exceed 200 p.s.i.g. (14 kg/cm²) as tool may burst, possibly causing injury.
- The connector on the tool must not hold pressure when air supply is disconnected. If a wrong fitting is used, the tool can remain charged with air after disconnecting and thus will be able to drive a fastener even after the air line is disconnected possibly causing injury.
- Do not pull the primary or secondary trigger while connected to the air supply as the tool may cycle, possibly causing injury.
- Always disconnect air supply: 1.) Before making adjustments; 2.) When servicing the tool; 3.) When clearing a jam; 4.) When tool is not in use; 5.) When moving to a different work area, as accidental actuation may occur, possibly causing injury.



WARNING: When loading tool:

- Never place a hand or any part of body in pin discharge area of tool.
- Never point tool at anyone.
- Do not pull the primary or secondary trigger as accidental actuation may occur, possibly causing injury.



WARNING: When operating the tool:

- Always handle the tool with care:
 - Never engage in horseplay.
 - Never pull the trigger unless nose is directed toward the work.
 - Keep others a safe distance from the tool while tool is in operation as accidental actuation may occur, possibly causing injury.
- The operator must not hold the secondary trigger pulled except during fastening operation as serious injury could result if the tool accidentally contacts someone or something, causing the tool to cycle.
- Keep hands and body away from the discharge area of the tool. The tool may bounce from the recoil of driving a pin and an unwanted second pin may be driven possibly causing injury.
- Check operation of the secondary trigger mechanism frequently. Do not use the tool if the secondary trigger is not working correctly as accidental driving of a pin may result. Do not interfere with the proper operation of the secondary trigger mechanism.
- Do not drive pins on top of other pins or with the tool at an overly steep angle as this may cause deflection of fasteners which could cause injury.

- Do not drive pins close to the edge of the work piece as the wood may split, allowing the pin to be deflected possibly causing injury.
- This nailer produces SPARKS during operation. NEVER use the nailer near flammable substances, gases or vapors including lacquer, paint, benzine, thinner, gasoline, adhesives, mastics, glues or any other material that is -- or the vapors, fumes or byproducts of which are -- flammable, combustible or explosive. Using the nailer in any such environment could cause an EXPLOSION resulting in personal injury or death to user and bystanders.



WARNING: When maintaining the tool:

- When working on air tools note the warnings in this manual and use extra care when evaluating problem tools.

Additional Safety Warnings

- Use the DEWALT pneumatic tool only for the purpose for which it was designed.
- Never use this tool in a manner that could cause a pin to be directed toward the user or others in the work area.
- Do not use the tool as a hammer.
- Always carry the tool by the handle with hand off both triggers. Never carry the tool by the air hose.
- Do not alter or modify this tool from the original design or function without approval from DEWALT.
- Always be aware that misuse and improper handling of this tool can cause injury to yourself and others.
- Never clamp or tape the trigger or secondary trigger in an actuated position
- Never leave a tool unattended with the air hose attached.
- Do not operate this tool if it does not contain a legible WARNING LABEL.
- Do not continue to use a tool that leaks air or does not function properly. Notify your nearest DEWALT representative if your tool continues to experience functional problems.

TO PREVENT ACCIDENTAL INJURIES:

- Never place a hand or any other part of the body in nail discharge area of tool while the air supply is connected.
- Never point the tool at anyone else.
- Never engage in horseplay.
- Never actuate the tool unless nose is directed at the work.
- Always handle the tool with care.
- Do not actuate the tool while loading.

SAVE THESE INSTRUCTIONS FOR FUTURE USE

COMPONENTS (FIG. A)



WARNING: Never modify the power tool or any part of it. Damage or personal injury could result.

Refer to Figure A at the beginning of this manual for a complete list of components.

Intended Use

Your pin nailer is designed for professional fastening applications.

DO NOT use under wet conditions or in presence of flammable liquids or gases.

Your pin nailer is a professional power tool.

DO NOT let children come into contact with the tool.

Supervision is required when inexperienced operators use this tool.

TOOL SPECIFICATIONS

Model	DWFP2350
Length	9.2" (234 mm)
Height	8.75" (222 mm)
Width	2.33" (60 mm)
Weight	2.50 lbs (1.1 kg)

Tool Air Fitting

This tool uses a 1/4" N.P.T. male fitting. The inside diameter should be .200" (5 mm) or larger. The fitting must be capable of discharging tool air pressure when disconnected from the air supply.

Operating Pressure

70 to 100 p.s.i.g. (4.8 to 6.9 kg/cm²). Select the operating pressure within this range for best pin performance. **DO NOT EXCEED THIS RECOMMENDED OPERATING PRESSURE.**

Air Consumption

The DWFP2350 requires 2.05 cubic feet per minute (58 liters per minute) of free air to operate at the rate of 50 pins per minute, at 80 p.s.i.g. (5.6 kg/cm²). Take the actual rate at which the tool will be run to determine the amount of air required. For instance, if your pin usage averages 30 pins per minute, you need 50% of the tool's c.f.m. of free air which is required to operate the tool at 100 pins per minute.

PIN SPECIFICATIONS

Model	DWFP2350
Pins	DEWALT DWP23xxx PORTER-CABLE PPN23xxx, PN23PP BOSTITCH PT-23xx-3M, BTPN23PP
Gauge	23
Pin range	5/8"–2" (15.8–50.8 mm)
Magazine capacity	135 nails plus lock-out quantity

Adjustments and Usage Prep

Air Supply and Connections



WARNING: Do not use oxygen, combustible gases, or bottled gases as a power source for this tool as tool may explode, possibly causing injury.

ENGLISH

Fittings

Install a male fitting on the tool which is free flowing and which will release air pressure from the tool when disconnected from the supply source.

Hoses

Air hoses should have a minimum of 150 p.s.i.g. (10.6 kg/cm²) working pressure rating or 150 percent of the maximum pressure that could be produced in the air system. The supply hose should contain a fitting that will provide "quick disconnecting" from the male fitting 4 on the tool.

Supply Source

Use only clean regulated compressed air as a power source for this tool. NEVER USE OXYGEN, COMBUSTIBLE GASES, OR BOTTLED GASES, AS A POWER SOURCE FOR THIS TOOL AS TOOL MAY EXPLODE.

Regulator

A pressure regulator with an operating pressure of 0–125 p.s.i.g. (0–8.79 kg/cm²) is required to control the operating pressure for safe operation of this tool. Do not connect this tool to air pressure which can potentially exceed 200 p.s.i.g. (14 kg/cm²) as tool may fracture or burst, possibly causing injury.

Operating Pressure

Do not exceed recommended maximum operating pressure as tool wear will be greatly increased. The air supply must be capable of maintaining the operating pressure at the tool. Pressure drops in the air supply can reduce the tool's driving power. Refer to **Tool Specifications** for setting the correct operating pressure for the tool.

Filter

Dirt and water in the air supply are major causes of wear in pneumatic tools. A filter will help to get the best performance and minimum wear from the tool. The filter must have adequate flow capacity for the specific installation. The filter has to be kept clean to be effective in providing clean compressed air to the tool. Consult the manufacturer's instructions on proper maintenance of your filter. A dirty and clogged filter will cause a pressure drop which will reduce the tool's performance.

Oil Free Motor

The nailer is designed to be used without the need to add any air tool oil and still deliver long life. If air tool oil is added tool it will still function properly.

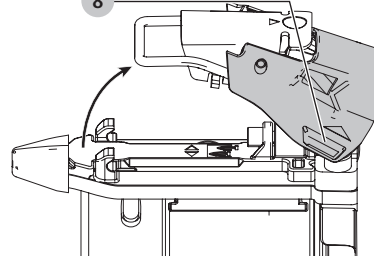
Tool-Free Depth Adjustment (Fig. A, B–D)

You pin nailer features tool-free depth adjustment for adjusting the driving depth of pins.

To Adjust the Depth

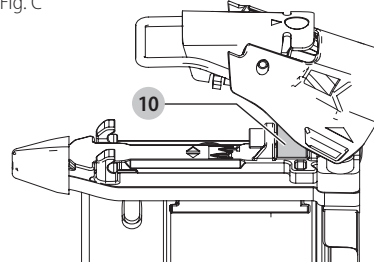
1. Disconnect the air supply from tool.
2. Depress the magazine release lever 5 and pull the magazine 6 back to stop pin feeding.
3. Grab the small tabs on each side of the nose cover 8 and pull up.

Fig. B



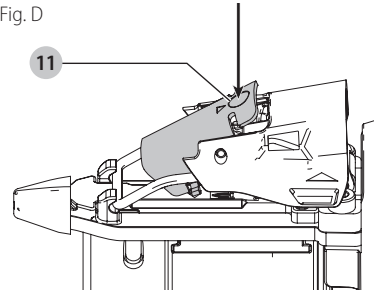
4. With the nose cover lifted, turn the depth adjustment wheel 10 to adjust the depth.

Fig. C



5. After adjusting to the desired depth, push the pinch lever 11 down to lock the mechanism back to operating position.

Fig. D



6. Close the magazine and reconnect the air supply.

Low Pin Lock Out

The nailer is equipped with a low pin lock out which prevents the tool from actuating when the magazine is nearly empty. When approximately 10 to 12 pins remain in the magazine, the tool ceases to operate. Refer to **Loading the Tool** to reload a stick of collated pins.

OPERATION

Proper Hand Position (Fig. E)

⚠ WARNING: To reduce the risk of serious personal injury, ALWAYS use proper hand position as shown.

⚠ WARNING: To reduce the risk of serious personal injury, ALWAYS hold securely in anticipation of a sudden reaction.

Proper hand position requires one hand on the handle 1.

Fig. E

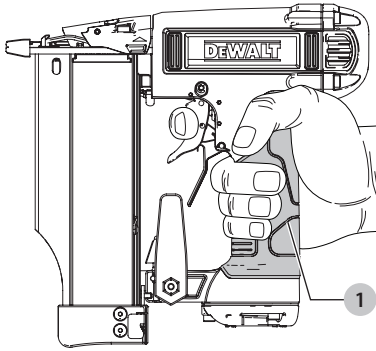
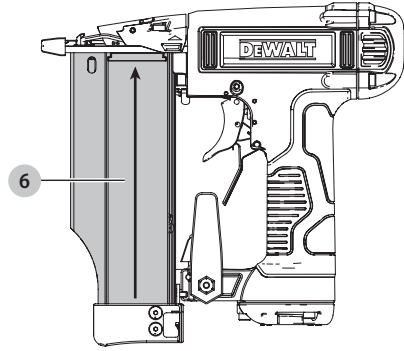


Fig. H

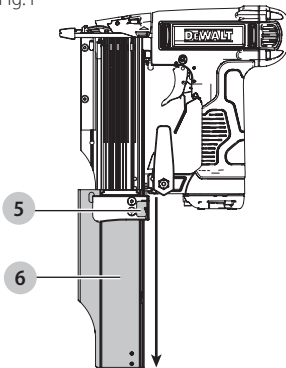


Loading the Tool (Fig. F–H)

NOTICE: Use only pins recommended for use in your pin nailer which meet the DEWALT specifications. Refer to **Pin Specifications**.

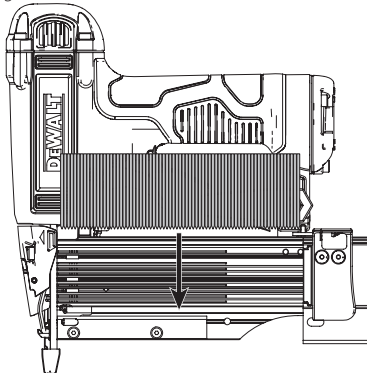
1. Depress the magazine release lever **5**.
2. Pull sliding portion of magazine **6** back.

Fig. F



3. Load the stick of pins with the arrow pattern pointing down as shown. If pins have black dots instead of arrows, the dots should be positioned up.

Fig. G



4. Close magazine until it latches. The tool is now ready for use.

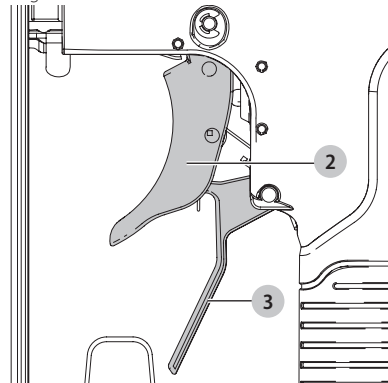
Trigger Operation with a Secondary Trigger (Fig. I)

WARNING: Never inadvertently pull or grasp the secondary trigger when moving about, changing work location, when holstering or hanging tool, or when preparing work surface for fastening operation.

WARNING: The operator must not hold the secondary trigger pulled except during fastening operation as serious injury could result if the trigger accidentally contacts someone or something, causing the tool to cycle.

The tool will actuate each time the primary trigger **2** under the valve is pulled until the secondary trigger **3** under the hand grip is released. This trigger operated tool is operated by first pulling or grasping the secondary trigger under the hand grip, followed by pulling the primary trigger under the valve as shown.

Fig. I



Belt Hook (Fig. J)

WARNING: Remove pins from magazine before making any adjustments or servicing this tool. Failure to do so may result in serious injury.

WARNING: Disconnect the air supply from tool before making any adjustments, changing accessories, servicing, or moving the tool. Such preventative safety measures reduce the risk of actuating the tool accidentally.

ENGLISH

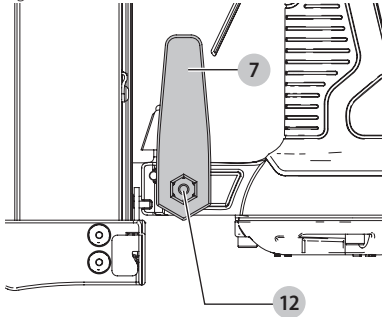
Your DEWALT pin nailer includes an integrated belt hook **7** and can be attached to either side of the tool to accommodate left- or right-handed users.

If the belt hook is not desired at all, it can be removed from the tool.

Removing and Reattaching the Belt Hook

1. Disconnect the air supply from tool.
2. To switch the tool from right- to left-hand usage simply remove the screw **12** from the opposite side of the tool and reattach the belt hook **7** on the other side.

Fig. J



MAINTENANCE

Tool-Free Jam Release (Fig. A, B, D, K)

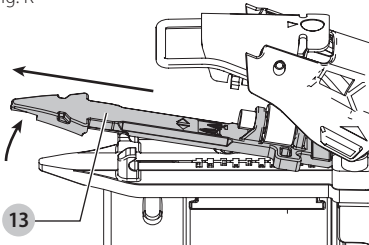
WARNING: Always disconnect air supply before clearing a jammed pin.

Your pin nailer features a tool-free jam release for clearing jammed pins.

To Clear a Jammed Pin

1. Disconnect the air supply from the tool.
2. Depress the magazine release lever **5** and pull the magazine **6** back to stop pin feeding.
3. Remove the no-mar tip **9**.
4. Grab the small tabs on each side of the nose cover **8** and pull up as shown in Figure B.
5. With the nose cover lifted, slide the inner nose cover **13** forward and lift up to clear the jammed pin.

Fig. K



6. Push the pinch lever **11** down to lock the mechanism back to operating position after the jam is cleared as shown in Figure D.
7. Attach the no-mar tip.
8. Close the magazine and reconnect the air supply.

Tool Operation Check (Fig. A)

WARNING: Remove all fasteners from tool before performing tool operation check.

Trigger Operation with a Secondary Trigger

The primary trigger **2** is located under the trigger valve. It can actuate the tool only if the secondary trigger **3** has already been pulled.

The secondary trigger is located under the handle. The secondary trigger prevents the primary trigger from actuating the tool if the secondary trigger has not been pulled first.

Place the nose of the tool against a work piece for all of the following operation checks.

1. With hand on rear end of the handle, further back away from the secondary trigger, and not squeezing the secondary trigger, use finger to pull the primary trigger.

THE TOOL MUST NOT CYCLE.

2. With hand on handle, and squeezing the secondary trigger, use finger to pull the primary trigger.

THE TOOL MUST CYCLE.

CAUTION: While the secondary trigger remains squeezed, the tool will cycle each time the primary trigger is pulled.

Accessories

WARNING: Since accessories, other than those offered by DEWALT have not been tested with this product, use of such accessories with this tool could be hazardous. To reduce the risk of injury, only DEWALT recommended accessories should be used with this product.

Recommended accessories for use with your tool are available at extra cost from your local dealer or authorized service center. If you need assistance in locating any accessory, please contact DEWALT, call 1-800-4-DEWALT (1-800-433-9258).

Cleaning

WARNING: Blow dirt and dust out of all air vents with clean, dry air at least once a week. To minimize the risk of eye injury, always wear ANSI Z87.1 approved eye protection when performing this.

WARNING: Never use solvents or other harsh chemicals for cleaning the non-metallic parts of the tool. These chemicals may weaken the plastic materials used in these parts. Use a cloth dampened only with water and mild soap. Never let any liquid get inside the tool; never immerse any part of the tool into a liquid.

Repairs

WARNING: To assure product SAFETY and RELIABILITY, repairs, maintenance and adjustment should be performed by a DEWALT factory service center or a DEWALT authorized service center. Always use identical replacement parts.

Register Online

Thank you for your purchase. Register your product now for:

- **WARRANTY SERVICE:** Registering your product will help you obtain more efficient warranty service in case there is a problem with your product.
- **CONFIRMATION OF OWNERSHIP:** In case of an insurance loss, such as fire, flood or theft, your registration of ownership will serve as your proof of purchase.
- **FOR YOUR SAFETY:** Registering your product will allow us to contact you in the unlikely event a safety notification is required under the Federal Consumer Safety Act.

Register online at www.dewalt.com/support/product-registration.

Three Year Limited Warranty

DeWALT will repair, without charge, any defects due to faulty materials or workmanship for three years from the date of purchase. This warranty does not cover part failure due to normal wear or tool abuse. For further detail of warranty coverage and warranty repair information, visit www.dewalt.com or call 1-800-4-DeWALT (1-800-433-9258). This warranty does not apply to accessories or damage caused where repairs have been made or attempted by others. THIS LIMITED WARRANTY IS GIVEN IN LIEU OF ALL OTHERS, INCLUDING THE IMPLIED WARRANTY OF MERCHANTABILITY AND FITNESS FOR A PARTICULAR PURPOSE, AND EXCLUDES ALL INCIDENTAL OR CONSEQUENTIAL DAMAGES. Some states do not allow limitations on how long an implied warranty lasts or the exclusion or limitation of incidental or consequential damages, so these limitations may not apply to you. This warranty gives you specific legal rights and you may have other rights which vary in certain states or provinces.

In addition to the warranty, DeWALT tools are covered by our:

1 YEAR FREE SERVICE

DeWALT will maintain the tool and replace worn parts caused by normal use, for free, any time during the first year after purchase.

90 DAY MONEY BACK GUARANTEE

If you are not completely satisfied with the performance of your DeWALT Power Tool, Laser, or Nailer for any reason, you can return it within 90 days from the date of purchase with a receipt for a full refund – no questions asked.

LATIN AMERICA: This warranty does not apply to products sold in Latin America. For products sold in Latin America, see country specific warranty information contained in the packaging, call the local company or see website for warranty information.

FREE WARNING LABEL REPLACEMENT: If your warning labels become illegible or are missing, call 1-800-4-DeWALT (1-800-433-9258) for a free replacement.

Troubleshooting

Problem	Cause	Correction
Trigger valve housing leaks air.	O-ring cut or cracked.	Replace O-ring.
Trigger valve stem leaks air.	O-ring/seals cut or cracked.	Replace trigger valve assembly.
Frame/nose leaks air.	Loose nose screws.	Tighten and recheck.
	O-ring or Gasket is cut or cracked.	Replace O-ring or gasket.
	Bumper cracked/worn.	Replace bumper.
Frame/cap leaks air.	Damaged gasket or seal.	Replace gasket or seal.
	Cracked/worn head valve bumper.	Replace bumper.
	Loose cap screws.	Tighten and recheck.
Failure to cycle.	Air supply restriction.	Check air supply equipment.
	Worn head valve O-rings.	Replace O-rings.
	Broken cylinder cap spring.	Replace cylinder cap spring.
	Head valve stuck in cap.	Disassemble/Check/Lubricate.
Lack of power; slow to cycle.	Broken cylinder cap spring.	Replace cap spring.
	O-rings/seals cut or cracked.	Replace O-rings/seals.
	Exhaust blocked .	Check bumper, head valve spring, muffler.
	Trigger assembly worn/leaks.	Replace trigger assembly.
	Dirt/tar build up on driver.	Disassemble nose/driver to clean.
	Cylinder sleeve not seated correctly on bottom bumper.	Disassemble to correct.
	Air pressure too low.	Check air supply equipment.
Skipping pins; intermittent feed.	Worn bumper.	Replace bumper.
	Tar/dirt in driver channel.	Disassemble and clean nose and driver.
	Air restriction/inadequate air flow through quick disconnect socket and plug.	Replace quick disconnect fittings.
	Worn piston O-ring.	Replace O-ring, check driver.
	Damaged pusher spring.	Replace spring.
	Low air pressure.	Check air supply system to tool.
	Loose magazine nose screws.	Tighten all screws.
	Pins too short for tool.	Use only recommended pins.
	Bent pins.	Discontinue using these pins.
	Wrong size pins.	Use only recommended pins.
	Leaking head cap gasket.	Tighten screws/replace gasket.
	Trigger valve O-ring cut/worn.	Replace O-ring.
	Broken/chipped driver.	Replace driver (check piston O-ring).
	Dirty magazine.	Clean.
Worn magazine.	Replace magazine.	
Pins jam in tool.	Driver channel worn.	Replace nose/check door.
	Wrong size pins.	Use only recommended pins.
	Bent pins.	Discontinue using these pins.
	Loose magazine/nose screws.	Tighten all screws.
	Broken/chipped driver.	Replace driver.

Définitions : symboles et termes d'alarmes sécurité

Ces guides d'utilisation utilisent les symboles et termes d'alarmes sécurité suivants pour vous prévenir de situations dangereuses et de risques de dommages corporels ou matériels.



DANGER : indique une situation dangereuse imminente qui, si elle n'est pas évitée, **entraînera la mort ou des blessures graves**.



AVERTISSEMENT : indique une situation potentiellement dangereuse qui, si elle n'est pas évitée, **pourrait entraîner la mort ou des blessures graves**.



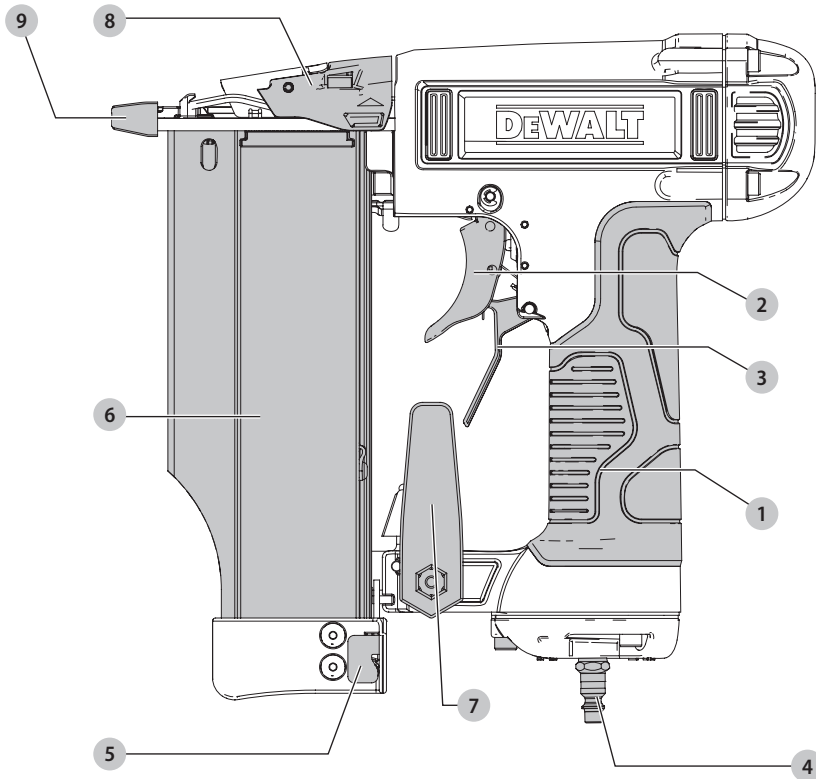
ATTENTION : indique une situation potentiellement dangereuse qui, si elle n'est pas évitée, **pourrait entraîner des blessures légères ou modérées**.



(Si utilisé sans aucun terme) Indique un message propre à la sécurité.

AVIS : indique une pratique ne posant **aucun risque de dommages corporels** mais qui par contre, si rien n'est fait pour l'éviter, **pourrait poser des risques de dommages matériels**.

Fig. A



- | | |
|-----------------------------------|------------------------|
| 1 Poignée | 6 Chargeur |
| 2 Gâchette principale | 7 Agrafe pour courroie |
| 3 Gâchette secondaire | 8 Capuchon du nez |
| 4 Raccord mâle de 1/4 po | 9 Extrémité antimarque |
| 5 Levier de libération du magasin | |



AVERTISSEMENT! lire tous les avertissements de sécurité et toutes les directives. Le non-respect des avertissements et des directives pourrait se solder par un choc électrique, un incendie et/ou une blessure grave.



AVERTISSEMENT : afin de réduire le risque de blessures, lire le mode d'emploi de l'outil.

Pour toute question ou remarque au sujet de cet outil ou de tout autre outil DEWALT, composez le numéro sans frais : 1-800-4-DEWALT (1-800-433-9258).

FRANÇAIS

Les outils DEWALT sont des outils de précision conçus pour un clouage exact et à haut rendement. Ils offrent un service efficace et fiable lorsque utilisés correctement et avec soin. Comme pour tout outil sophistiqué, il est nécessaire de suivre les instructions du fabricant pour obtenir de meilleures performances. Veuillez étudier ce manuel avant la mise en fonction de l'outil, et vous assurer d'avoir compris les avertissements et consignes de sécurité inclus. Lisez avec précaution les instructions d'installation, de fonctionnement et de maintenance; conservez le manuel pour référence ultérieure.

REMARQUE : Des mesures de sécurité supplémentaires peuvent être requises en fonction de votre utilisation particulière de l'outil. Pour toute question concernant l'outil et son utilisation, contactez votre DEWALT représentant ou distributeur

DEWALT, 701 E. Joppa Road, Towson, Maryland 21286, U.S. & Canada Only, E.-U. et Canada seulement

Les outils DEWALT ont été conçus et fabriqués pour offrir une grande satisfaction de la clientèle et pour atteindre un rendement maximal, lorsqu'utilisé avec des attaches de précision DEWALT conçues et fabriquées pour répondre à des normes identiques.

DEWALT ne garantit pas les performances de vos outils s'ils sont utilisés avec des pièces de fixation ou accessoires ne répondant pas aux exigences strictes établies pour les clous, agrafes et accessoires DEWALT d'origine.

Consignes de sécurité



AVERTISSEMENT : porter **SYSTEMATIQUEMENT** des lunettes de protection. Les lunettes courantes **NE** sont **PAS** des lunettes de protection. Utiliser aussi un masque antipoussières si la découpe doit en produire beaucoup. **PORTER SYSTÉMATIQUEMENT UN ÉQUIPEMENT DE SÉCURITÉ HOMOLOGUÉ** :

- Protection oculaire ANSI Z87.1 (CAN/CSA Z94.3) ;
- Protection auditive ANSI S12.6 (S3.19) ;
- Protection des voies respiratoires NIOSH/OSHA/MSHA.



AVERTISSEMENT : les scies, meules, ponceuses, perceuses ou autres outils de construction peuvent produire des poussières contenant des produits chimiques reconnus par l'État californien pour causer cancers, malformations congénitales ou être nocifs au système reproducteur. Parmi ces produits chimiques, on retrouve :

- Le plomb dans les peintures à base de plomb ;
- La silice cristallisée dans les briques et le ciment, ou autres produits de maçonnerie ; et
- L'arsenic et le chrome dans le bois ayant subi un traitement chimique.

Le risque associé à de telles expositions varie selon la fréquence à laquelle on effectue ces travaux. Pour réduire toute exposition à ces produits : travailler dans un endroit bien aéré, en utilisant du matériel de sécurité homologué, tel un masque antipoussières spécialement conçu pour filtrer les particules microscopiques.

- **Limiter toute exposition prolongée avec les poussières provenant du ponçage, sciage, meulage,**

perçage ou toute autre activité de construction.

Porter des vêtements de protection et nettoyer à l'eau savonneuse les parties du corps exposées. Le fait de laisser la poussière pénétrer dans la bouche, les yeux ou la peau peut favoriser l'absorption de produits chimiques dangereux.



AVERTISSEMENT : pendant l'utilisation, porter systématiquement une protection auditive individuelle adéquate homologuée ANSI S12.6 (S3.19). Sous certaines conditions et suivant la durée d'utilisation, le bruit émanant de ce produit pourrait contribuer à une perte de l'acuité auditive.



AVERTISSEMENT : (air et Approvisionnement)

- N'utilisez pas d'oxygène, de gaz combustibles, ou de gaz en bouteille comme source d'alimentation pour cet outil car l'outil risque d'exploser, pouvant provoquer des blessures corporelles.
- N'utilisez pas de sources d'alimentation pouvant excéder 14 kg/cm² (200 p.s.i.g.) car l'outil risque d'exploser, pouvant provoquer des blessures corporelles.
- Le raccord sur l'outil ne doit pas maintenir de pression quand l'alimentation en air est déconnectée. Si un mauvais raccord est utilisé, l'outil risque de rester chargé en air après avoir été déconnecté et sera donc capable d'enfoncer une fixation même après que la conduite d'air ait été débranchée, pouvant provoquer des blessures corporelles.
- Ne pas appuyer sur la gâchette principale ou secondaire pendant que l'outil est connecté à l'alimentation de l'air puisqu'il peut s'enclencher, causant possiblement une blessure.
- Déconnectez toujours l'alimentation d'air : 1.) Avant d'effectuer des réglages; 2.) Lors de l'entretien de l'outil; 3.) Lorsque vous dégagez un bouchage; 4.) Lorsque l'outil n'est pas utilisé; 5.) Lorsque vous vous déplacez vers une autre zone de travail, car un actionnement accidentel peut survenir, pouvant provoquer des blessures corporelles.



AVERTISSEMENT : lors du chargement de l'outil :

- Ne jamais placer une main ou toute autre partie du corps dans la zone de sortie des tiges de l'outil.
- Ne pointez jamais l'outil en direction de quelqu'un.
- Ne pas appuyer sur la gâchette principale ou secondaire puisqu'un déclenchement accidentel peut se produire, causant possiblement une blessure.



AVERTISSEMENT : lorsque vous utilisez l'outil:

- Manipulez toujours l'outil avec précaution :
 - Ne chahutez jamais avec l'outil.
 - Ne pressez jamais la gâchette si le bec de l'outil n'est pas dirigé vers l'ouvrage.
 - Maintenez les autres à une distance sécuritaire de l'outil pendant que l'outil est en fonctionnement car l'outil risque de se

mettre en marche accidentellement, pouvant provoquer des blessures corporelles.

- L'utilisateur doit ne pas maintenir la gâchette secondaire appuyée sauf durant la fixation puisque cela pourrait causer une blessure grave si l'outil entre accidentellement en contact avec quelqu'un ou quelque chose, causant l'enclenchement de l'outil.
- Gardez vos mains et votre corps à l'écart de la zone de sortie de l'outil. L'outil peut rebondir en raison du recul de l'enfoncement d'une tige et une deuxième tige non désirée peut être possiblement enfoncée causant une blessure.
- Vérifiez régulièrement l'utilisation du mécanisme de la gâchette secondaire. Ne pas utiliser l'outil si la gâchette secondaire ne fonctionne pas bien puisque cela peut entraîner le déclenchement accidentel d'une tige. Ne pas nuire au bon fonctionnement du mécanisme de la gâchette secondaire.
- Ne pas enfoncer des tiges au-dessus d'autres tiges ou avec l'outil à un angle beaucoup trop prononcé puisque cela peut causer la déviation des fixations qui pourrait causer une blessure.
- Ne pas enfoncer de tiges près du bord de la pièce de travail puisque le bois peut fendre, laissant la tige être possiblement déviée causant une blessure.
- Cette cloueuse produit des ÉTINCELLES pendant son fonctionnement. N'utilisez JAMAIS la cloueuse près de produits inflammables, de gaz ou de vapeurs, y compris vernis, peintures, le benzène, le diluant, l'essence, les colles, les mastics, les glus ou tout autre matériau -- y compris les vapeurs, fumées ou sous-produits -- inflammables, combustibles ou explosifs. L'utilisation de la cloueuse dans un tel environnement peut provoquer une EXPLOSION ayant pour conséquence des blessures corporelles ou le décès de l'utilisateur et des personnes se trouvant à proximité.



AVERTISSEMENT : entretien de l'outil:

- Lorsque vous travaillez sur des outils pneumatiques prenez notes des avertissements contenus dans le présent manuel et évaluez les problèmes des outils avec le plus grand soin.

Autres avertissements de sécurité

- N'utilisez l'outil pneumatique DEWALT que dans le but pour lequel il a été conçu.
- Ne jamais utiliser cet outil d'une manière qui pourrait faire en sorte que la tige soit redirigée vers l'utilisateur ou d'autres personnes dans l'aire de travail.
- N'utilisez pas l'outil en tant que marteau.
- Portez toujours l'outil par la poignée. Ne portez jamais l'outil par le flexible pneumatique.

- N'altérez pas et ne modifiez pas cet outil par rapport à sa conception ou fonction originelle sans l'approbation de DEWALT.
- Rappelez-vous qu'une mauvaise utilisation ou manipulation de cet outil peut provoquer des blessures pour vous-même et les autres.
- Avant d'utiliser cet outil, vérifiez que l'actionneur est en position non-actionnée. L'outil déconnecté de l'alimentation d'air, appuyez sur l'actionneur et confirmez qu'il revient en position non-actionnée.
- Ne laissez jamais un outil seul avec le flexible pneumatique raccordé.
- N'utilisez pas cet outil s'il ne contient pas une ÉTIQUETTE D'AVERTISSEMENT lisible.
- Ne continuez pas à utiliser un outil qui fuit ou qui ne fonctionne pas correctement. Avertissez votre représentant DEWALT le plus proche si votre outil continue de présenter des problèmes de fonctionnement.

POUR EMPÊCHER LES BLESSURES ACCIDENTELLES :

- Ne mettez jamais une main ou toute autre partie du corps dans la zone de sortie des fixations de l'outil quand l'alimentation en air est connectée.
- Ne pointez jamais l'outil en direction de quelqu'un.
- Ne chahutez jamais avec l'outil.
- N'actionnez jamais l'outil si le bec n'est pas dirigé vers l'ouvrage.
- Manipulez toujours l'outil avec précautions.
- N'actionnez pas l'outil pendant le chargement.

CONSERVER CES CONSIGNES POUR UTILISATION ULTÉRIEURE

DESCRIPTION (FIG. A)



AVERTISSEMENT : ne jamais modifier l'outil électrique ni aucun de ses composants, car il y a risques de dommages corporels ou matériels.

Reportez-vous en Figure A au début de ce manuel pour obtenir la liste complète des composants.

Usage prévu

Votre cloueuse à tiges est conçue pour des applications professionnelles.

NE PAS les utiliser en milieu ambiant humide ou en présence de liquides ou de gaz inflammables.

Votre cloueuse à tiges est un outil pneumatique professionnel.

NE PAS le laisser à la portée des enfants. Une supervision est nécessaire auprès de tout utilisateur non expérimenté.

SPÉCIFICATIONS DE L'OUTIL

Modèle	DWFP2350
Longueur	234 mm (9,2 po)
Hauteur	222 mm (8,75 po)
Largeur	60 mm (2,33 po)
Poids	1,1 kg (2,50 lbs)

FRANÇAIS

Raccord pneumatique de l'outil

Cette outil utilise un raccord mâle NPT 1/4 po. Le diamètre interne doit être de 5 mm (0,200 po) ou plus. Le raccord doit être capable de libérer la pression pneumatique de l'outil lorsqu'il est déconnecté de l'alimentation d'air.

Pression de service

4,8 à 6,9 kg/cm² (70 à 100 p.s.i.g.). Sélectionnez la pression de fonctionnement dans cette plage pour une meilleure performance de l'axe. NE DÉPASSEZ PAS CETTE PRESSION DE SERVICE RECOMMANDÉE.

Consommation d'air

Le modèle DWFP2350 nécessite 58 litres par minute (2,05 pieds cubes par minute) d'air libre pour fonctionner à un rythme de 50 tiges par minutes à 5,6 kg/cm² (80 p.s.i.g.). Prenez le taux actuel auquel l'outil fonctionnera pour déterminer la quantité d'air requise. Par exemple, si votre utilisation des tiges s'établit en moyenne à 30 tiges par minute, vous avez besoin de 50 % du pi³/min d'air libre de l'outil qui est requis pour utiliser l'outil à 100 tiges par minute.

CARACTÉRISTIQUES DE TIGES

Modèle	DWFP2350
Tiges	DEWALT DWPN23xxx PORTER-CABLE PPN23xxx, PN23PP BOSTITCH PT-23xx-3M, BTPN23PP
Calibre	23
Gamme de tiges	15,8–50,8 mm (5/8 po–2 po)
Capacité du magasin	135 clous plus la quantité verrouillée

Ajustements et préparation de l'utilisation

Connexions et alimentation de l'air



AVERTISSEMENT : n'utilisez pas d'oxygène, de gaz combustibles, ou de gaz en bouteille comme source d'alimentation pour cet outil car l'outil risque d'exploser, pouvant provoquer des blessures corporelles.

Raccords

Installez un raccord mâle sur l'outil non obstrué et qui évacue la pression d'air de l'outil lorsqu'il est déconnecté de la source d'alimentation.

Flexibles

Les flexibles pneumatiques doivent avoir une pression de service nominale minimale de 10,6 kg/cm² (150 p.s.i.g.) ou 150 pour cent de la pression maximale pouvant être produite par le système. Le tuyau d'alimentation doit comporter un raccord qui offre une « déconnexion rapide » du connecteur mâle 4 sur l'outil.

Source d'alimentation

N'utilisez que de l'air comprimé régulé propre comme source d'alimentation pour cet outil. N'UTILISEZ JAMAIS D'OXYGÈNE, DE GAZ COMBUSTIBLES, OU DE GAZ EN

BOUTEILLE COMME SOURCE D'ALIMENTATION POUR CET OUTIL CAR IL RISQUE D'EXPLOSER.

Régulateur

Un régulateur de pression avec une pression de service de 0–8,79 kg/cm² (0–125 p.s.i.g.) est requis pour contrôler la pression de service pour une utilisation de l'outil en toute sécurité. Ne connectez jamais cet outil à une pression pneumatique pouvant dépasser 14 kg/cm² (200 p.s.i.g.) car l'outil peut se fracturer ou exploser, pouvant provoquer des blessures corporelles.

Pression de service

Ne dépassez pas la pression de service maximale recommandée car cela augmentera considérablement l'usure de l'outil. L'alimentation d'air doit être capable de maintenir la pression de service vers l'outil. Des chutes de pression dans l'alimentation d'air peuvent réduire la puissance d'expulsion de l'outil. Consultez les **Spécifications de l'outil** pour régler la bonne pression de service pour l'outil.

Filtre

Les impuretés et l'eau présentes dans l'alimentation d'air sont des causes majeures de l'usure des outils pneumatiques. Un filtre aide à obtenir les meilleures performances et une usure minimale de l'outil. Le filtre doit avoir une capacité de débit adéquate pour l'installation spécifique. Le filtre doit être maintenu dans un bon état de propreté pour fournir efficacement de l'air comprimé propre à l'outil. Consultez les instructions du fabricant pour le bon entretien de votre filtre. Un filtre sale et bouché provoque une chute de pression qui aura pour effet de réduire les performances de l'outil.

Moteur sans huile

La tige est conçue pour être utilisée sans avoir besoin d'ajouter d'huile pour outils pneumatiques et offrir quand même une longue durée de vie. Si de l'huile pour outils pneumatiques est ajoutée à l'outil, il continuera de bien fonctionner.

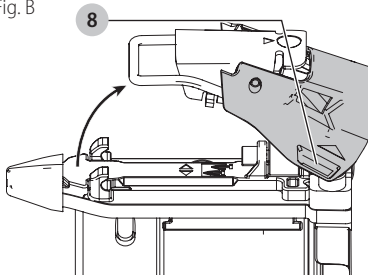
Ajustement de la profondeur sans outil (Fig. A, B–D)

Votre cloueuse à tiges comprend un ajustement de la profondeur sans outil pour ajuster la profondeur des tiges.

Pour ajuster la profondeur

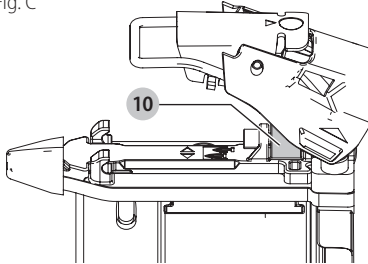
1. Déconnectez l'alimentation de l'air de l'outil.
2. Appuyez sur le levier de libération du magasin 5 et retirez le magasin 6 pour arrêter l'alimentation des tiges.
3. Saisissez les petites languettes de chaque côté du capuchon du nez 8 et tirez.

Fig. B



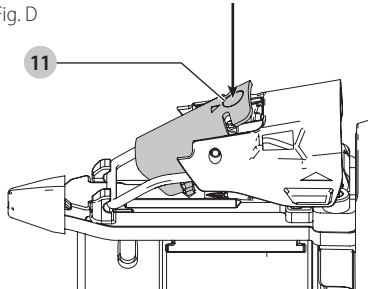
4. Avec le capuchon du nez levé, tournez la roulette d'ajustement de la profondeur **10** pour ajuster la profondeur.

Fig. C



5. Après avoir ajusté la profondeur désirée, poussez le levier de pincement **11** vers le bas pour verrouillez le mécanisme à la position de fonctionnement.

Fig. D



6. Fermez le magasin et reconnectez l'alimentation de l'air.

Verrouillage lorsqu'il y a peu de tiges

La cloueuse est munie d'un verrouillage lorsqu'il y a peu de tiges qui empêche l'outil de s'activer lorsque le magasin est presque vide. Lorsqu'il reste environ 10 à 12 tiges dans le magasin, l'outil cesse de fonctionner. Consultez **Chargement de l'outil** pour recharger un bâton de tiges regroupées.

UTILISATION

Position correcte des mains (Fig. E)



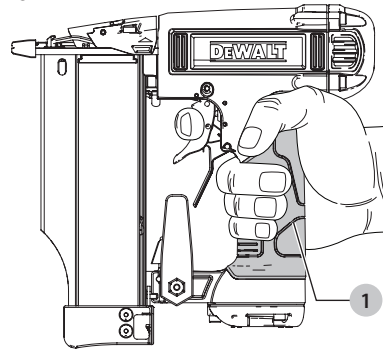
AVERTISSEMENT : pour réduire tout risque de dommages corporels graves, adopter **SYSTÉMATIQUEMENT** la position des mains illustrée.



AVERTISSEMENT : pour réduire tout risque de dommages corporels graves, maintenir **SYSTÉMATIQUEMENT** l'outil fermement pour anticiper toute réaction soudaine.

La position des mains adéquate nécessite une main sur la poignée **1**.

Fig. E

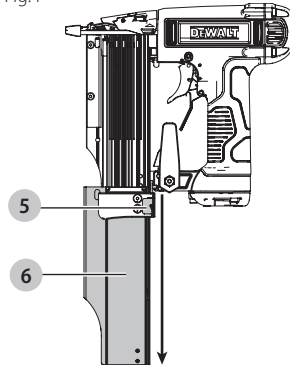


Chargement de l'outil (Fig. F-H)

AVIS : utilisez seulement des tiges recommandées pour l'utilisation dans votre cloueuse à tiges qui correspondent aux caractéristiques DEWALT. Consultez **Caractéristiques de tiges**.

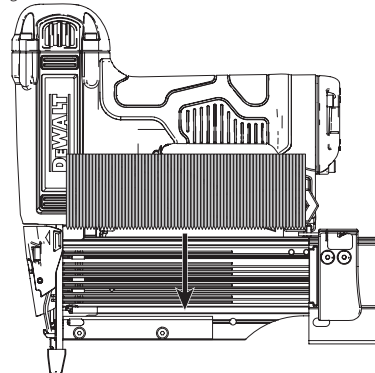
1. Appuyez sur le levier de libération du magasin **5**.
2. Tirez la section coulissante du magasin **6** vers l'arrière.

Fig. F



3. Chargez la barrette de goupilles la flèche pointant vers le bas. Si les goupilles présentent des points noirs au lieu de flèches, ces points doivent être orientés vers le haut.

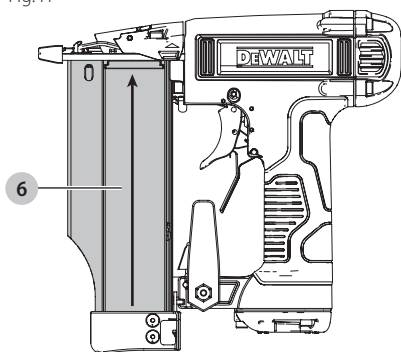
Fig. G



FRANÇAIS

4. Fermez le magasin jusqu'à ce qu'il se verrouille. L'outil est maintenant prêt à être utilisé.

Fig. H



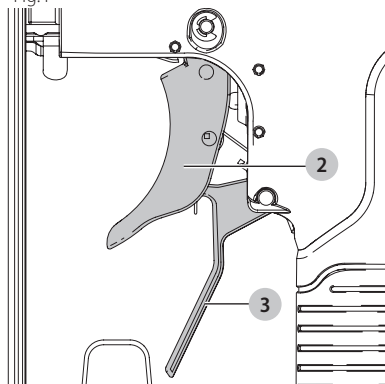
Fonctionnement de la gâchette avec la gâchette secondaire (Fig. I)

AVERTISSEMENT : n'appuyez jamais sur la gâchette et ne la saisissez jamais par inadvertance alors que vous bougez, changez de lieu de travail, lorsque vous rangez l'outil dans son étui ou l'accrochez pour le suspendre ou lorsque vous préparez une surface de travail pour une opération de pose d'attaches.

AVERTISSEMENT : l'opérateur ne doit pas maintenir la gâchette secondaire enfoncée sauf lors des opérations de pose d'attaches puisque de graves blessures peuvent être causées si la gâchette entrait accidentellement en contact avec quelqu'un ou quelque chose, ce qui pourrait actionner l'outil.

L'outil sera actionné chaque fois que la gâchette principale 2 sous la soupape est appuyée jusqu'à ce que la gâchette secondaire 3 sous la poignée de main soit relâchée. Cet outil à gâchette est actionné en appuyant sur ou en saisissant d'abord la gâchette secondaire sous la poignée de main, puis en appuyant sur la gâchette principale sous la soupape, tel qu'indiqué.

Fig. I



Agrafe pour courroie (Fig. J)

AVERTISSEMENT : retirez les tiges du magasin avant de faire tout ajustement ou entretien de cet outil. Ne pas le faire peut entraîner une blessure grave.

AVERTISSEMENT : déconnectez l'alimentation de l'air de l'outil avant de faire tout ajustement, changement d'accessoires, entretien ou déplacement de l'outil. Ces mesures de sécurité préventives réduisent le risque d'activation accidentelle de l'outil.

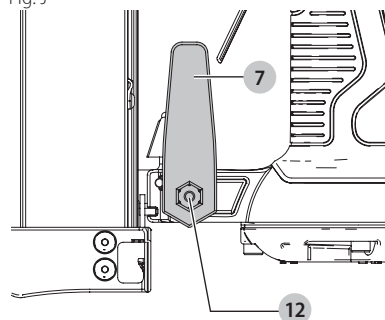
Votre cloueuse à tiges préventive inclut une agrafe pour courroie 7 et peut être fixée d'un côté ou de l'autre de l'outil pour accommoder les utilisateurs droitiers ou gauchers.

Si vous ne voulez pas du tout de l'agrafe pour courroie, vous pouvez la retirer de l'outil.

Retirer et rattacher l'agrafe pour courroie

1. Déconnectez l'alimentation de l'air de l'outil.
2. Pour changer de l'utilisation de droite ou de droite, retirez simplement la vis 12 du côté opposé de l'outil et rattachiez l'agrafe pour courroie 7 de l'autre côté.

Fig. J



MAINTENANCE

Débloqué sans outil (Fig. A, B, D, K)

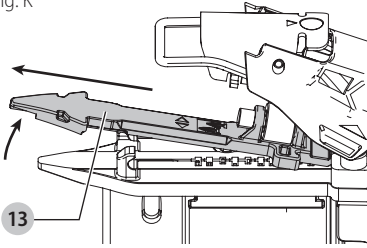
AVERTISSEMENT : déconnectez toujours l'alimentation de l'air avant de retirer une tige bloquée.

Votre cloueuse à tiges comprend un levier de déblocage sans outil pour retirer les tiges bloquées.

Pour retirer une tige bloquée

1. Déconnectez l'alimentation de l'air de l'outil.
2. Appuyez sur le levier de libération du magasin 5 et retirez le magasin 6 pour arrêter l'alimentation des tiges.
3. Retirez l'extrémité antimarques 9.
4. Saisissez les petites languettes de chaque côté du capuchon du nez 8 et tirez comme illustré dans la Figure B.
5. Avec le capuchon du nez levé, glissez le capuchon du nez interne 13 vers l'avant et levez pour retirer la tige bloquée.

Fig. K



6. Poussez le levier de pincement **11** vers le bas pour verrouiller le mécanisme dans la position d'utilisation une fois le blocage retiré comme illustré dans la Figure D.
7. Fixez l'extrémité antimarques.
8. Fermez le magasin et reconnectez l'alimentation de l'air.

Vérification du système de déclenchement (Fig. A)

AVERTISSEMENT : retirer toutes les attaches de fixation de l'outil avant de procéder à une vérification du fonctionnement de celui-ci.

Fonctionnement de la gâchette avec la gâchette secondaire

La gâchette principale **2** est située sous la soupape de la gâchette. Elle ne peut qu'actionner l'outil seulement si la gâchette secondaire **3** est déjà enfoncée.

La gâchette secondaire est située sous la poignée. La gâchette secondaire empêche la gâchette principale d'actionner l'outil si la gâchette secondaire n'a pas été enfoncée au préalable.

Placez le nez de pose de l'outil contre la surface de travail pour toutes les vérifications d'utilisation suivantes.

1. La main sur l'extrémité arrière de la poignée, loin de la gâchette secondaire, et n'appuyant pas sur cette même gâchette, enfoncez la gâchette principale avec votre doigt.

L'OUTIL NE DOIT PAS EFFECTUER UN CYCLE.

2. La main sur la poignée, et tout en enfonçant la gâchette secondaire, enfoncez la gâchette principale avec votre doigt.

L'OUTIL DOIT EFFECTUER UN CYCLE.

ATTENTION : lorsque la gâchette secondaire reste enfoncée, l'outil effectue un cycle à chaque fois que la gâchette principale est enfoncée.

Accessoires

AVERTISSEMENT : puisque les accessoires autres que ceux offerts par DEWALT n'ont pas été testés avec ce produit, leur utilisation pourrait s'avérer dangereuse. Pour réduire le risque de blessures, utiliser exclusivement les accessoires DEWALT recommandés avec le présent produit.

Les accessoires recommandés pour cet outil sont vendus séparément au centre de service de votre région. Pour obtenir de l'aide concernant l'achat d'un accessoire, communiquer avec DEWALT; composer le 1-800-4-DEWALT (1-800-433-9258).

Nettoyage

AVERTISSEMENT : enlever les saletés et la poussière hors des événements au moyen d'air comprimé propre et sec, au moins une fois par semaine. Pour minimiser le risque de blessure aux yeux, toujours porter une protection oculaire conforme à la norme ANSI Z87.1 lors du nettoyage.

AVERTISSEMENT : ne jamais utiliser de solvants ni d'autres produits chimiques puissants pour nettoyer les pièces non métalliques de l'outil. Ces produits chimiques peuvent affaiblir les matériaux de plastique utilisés dans ces pièces. Utiliser un chiffon humecté uniquement d'eau et de savon doux. Ne jamais laisser de liquide pénétrer dans l'outil et n'immerger aucune partie de l'outil dans un liquide.

Réparations

AVERTISSEMENT : pour assurer la SÉCURITÉ et la FIABILITÉ du produit, les réparations, l'entretien et les réglages doivent être réalisés par un centre de réparation en usine DEWALT ou un centre de réparation agréé DEWALT. Toujours utiliser des pièces de rechange identiques.

Registre en ligne

Merci pour votre achat. Enregistrez dès maintenant votre produit :

- **RÉPARATIONS SOUS GARANTIE**: cette carte remplie vous permettra de vous prévaloir du service de réparations sous garantie de façon plus efficace dans le cas d'un problème avec le produit.
- **CONFIRMATION DE PROPRIÉTÉ**: en cas de perte provoquée par un incendie, une inondation ou un vol, cette preuve de propriété vous servira de preuve auprès de votre compagnie d'assurances.
- **SÉCURITÉ**: l'enregistrement de votre produit nous permettra de communiquer avec vous dans l'éventualité peu probable de l'envoi d'un avis de sécurité régi par la loi fédérale américaine de la protection des consommateurs.

Registre en ligne à www.dewalt.com/support/product-registration.

Garantie limitée de trois ans

DEWALT réparera, sans frais, tout produit défectueux causé par un défaut de matériel ou de fabrication pour une période de trois ans à compter de la date d'achat. La présente garantie ne couvre pas les pièces dont la défectuosité a été causée par une usure normale ou l'usage abusif de l'outil. Pour obtenir de plus amples renseignements sur les pièces ou les réparations couvertes par la présente garantie, visiter le site www.dewalt.com ou composer le 1 800 433-9258 (1 800 4-DEWALT). CETTE GARANTIE LIMITÉE REMPLACE TOUTE AUTRE GARANTIE, Y COMPRIS TOUTE GARANTIE IMPLICITE DE QUALITÉ MARCHANDE OU DE CONFORMITÉ À DES FINIS PARTICULIÈRES, ET EXCLUT TOUT DOMMAGE ACCESSOIRE OU INDIRECT. Certains états n'autorisent aucune limitation

FRANÇAIS

quant à la durée d'une garantie implicite ni aucune exclusion ou limitation de garantie contre tout préjudice accessoire ou indirect, aussi il se peut que ces exclusions ne vous soient pas applicables. Cette garantie confère des droits légaux particuliers à l'acheteur, mais celui-ci pourrait aussi bénéficier d'autres droits variant d'un territoire à l'autre.

En plus de la présente garantie, les outils DEWALT sont couverts par notre :

CONTRAT D'ENTRETIEN GRATUIT D'UN AN

DEWALT entretiendra l'outil et remplacera les pièces usées au cours d'une utilisation normale et ce, gratuitement, pendant une période d'un an à compter de la date d'achat.

GARANTIE DE REMBOURSEMENT DE 90 JOURS

Si l'acheteur n'est pas entièrement satisfait, pour quelque raison que ce soit, du rendement de l'outil électrique, du laser ou de la cloueuse DEWALT, celui-ci peut le retourner, accompagné d'un reçu, dans les 90 jours à compter de la date d'achat pour obtenir un remboursement intégral, sans aucun problème.

AMÉRIQUE LATINE : cette garantie ne s'applique aux produits vendus en Amérique latine. Pour ceux-ci, veuillez consulter les informations relatives à la garantie spécifique présente dans l'emballage, appeler l'entreprise locale ou consulter le site Web pour les informations relatives à cette garantie.

REPLACEMENT GRATUIT DES ÉTIQUETTES

D'AVERTISSEMENT : si les étiquettes d'avertissement deviennent illisibles ou sont manquantes, composer le 1 800 433-9258 (1 800 4-DEWALT) pour en obtenir le remplacement gratuit.

Dépannage

Problème	Cause	Correction
Fuite d'air dans le logement de la.	Joint torique coupé ou fendu.	Remplacez le joint torique vanne de gâchette.
Fuite d'air dans la tige de la.	Joint torique/joints coupés ou fendus.	Remplacez la vanne de gâchette vanne de gâchette.
Fuite d'air au châssis/bec.	Vis du bec desserrées.	Serrez et revérifiez.
	Joint torique ou d'étanchéité coupé ou fendu.	Remplacez le joint torique ou d'étanchéité.
	Butoir fendu ou usé.	Remplacez le butoir.
Fuite d'air au châssis/tête.	Joint ou joint d'étanchéité endommagé.	Remplacez le joint ou joint d'étanchéité.
	Butoir de la soupape principale fendu ou usé.	Remplacez le butoir.
	Vis de la tête desserrées.	Serrez et revérifiez.
Cycle non amorcé.	Alimentation d'air restreinte.	Vérifiez l'équipement de l'alimentation d'air.
	Joints toriques de la soupape principale usés.	Remplacez les joints toriques.
	Ressort de la tête du cylindre cassé.	Remplacez le ressort de la tête du cylindre.
	Soupape principale coincée dans la tête.	Démonter, vérifier, lubrifier.
Manque de puissance, l'outil tourne au ralenti.	Ressort de la tête du cylindre cassé.	Remplacez le ressort de la tête.
	Joints toriques/joints coupés ou fendus.	Remplacez les joints toriques/joints.
	Échappement bouché .	Vérifiez le butoir, le ressort de la soupape principale, le silencieux.
	Ensemble de gâchette usé/fuit.	Remplacez l'ensemble de gâchette.
	Crasse/goudron accumulée sur l'entraînement.	Démontez le bec/entraînement pour les nettoyer.
	Le manchon du cylindre n'est pas correctement installé sur le butoir inférieur.	Démontez et corrigez.
	Pression d'air trop basse.	Vérifiez l'équipement de l'alimentation d'air.
	Butoir usé.	Remplacez le butoir.
Manques de tiges; alimentation intermittente.	Goudron/crasse dans le canal d'entraînement.	Démontez et nettoyez le bec et l'entraînement.
	Air restreint/débit d'air inadéquat dans la douille et la prise à déconnexion rapide.	Remplacez les raccords à déconnexion rapide.
	Joint torique du piston usé.	Remplacez le joint torique, vérifiez l'entraînement.
	Ressort du pousseur endommagé.	Remplacez le ressort.
	Pression d'air basse.	Vérifiez l'alimentation d'air vers l'outil.
	Vis du bec du chargeur desserrées.	Resserrez toutes les vis.
	Les tiges sont trop courtes pour l'outil.	Utilisez seulement les tiges recommandées.
	Tiges pliées.	Cessez d'utiliser ces tiges.
	Mauvais formats de tiges.	Utilisez seulement les tiges recommandées.
	Fuite au joint d'étanchéité de tête.	Serrez les vis; remplacez le joint d'étanchéité.
	Joint torique de la vanne de la gâchette coupé/usé.	Remplacez le joint torique.
	Entraînement cassé/abîmé.	Remplacez l'entraînement (vérifiez le joint torique du piston).
	Chargeur sec.	Nettoyez.
	Chargeur usé.	Remplacez le chargeur.
	Blocage de tiges dans l'outil.	Canal d'entraînement usé.
Mauvais formats de tiges.		Utilisez seulement les tiges recommandées.
Tiges pliées.		Cessez d'utiliser ces tiges.
Vis du bec/chargeur desserrées.		Resserrez toutes les vis.
Entraînement cassé/abîmé.		Remplacez l'entraînement.

Definiciones: Símbolos y Palabras de Alerta de Seguridad

Este manual de instrucciones utiliza los siguientes símbolos y palabras de alerta de seguridad para alertarle de situaciones peligrosas y del riesgo de lesiones corporales o daños materiales.

⚠ PELIGRO: Indica una situación de peligro inminente que, si no se evita, provocará **la muerte o lesiones graves**.

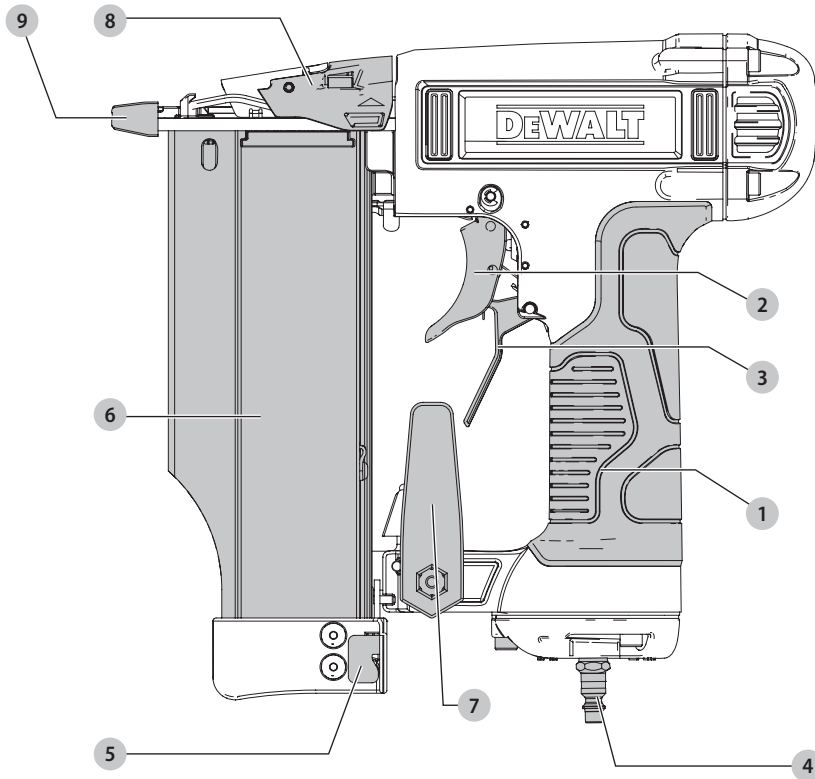
⚠ ADVERTENCIA: Indica una situación de peligro potencial que, si no se evita, **podría provocar la muerte o lesiones graves**.

⚠ ATENCIÓN: Indica una situación de peligro potencial que, si no se evita, **posiblemente provocaría lesiones leves o moderadas**.

⚠ (Utilizado sin palabras) indica un mensaje de seguridad relacionado.

AVISO: Se refiere a una práctica **no relacionada a lesiones corporales** que de no evitarse **puede resultar en daños a la propiedad**.

Fig. A



- | | |
|-------------------------------------|----------------------------|
| 1 Manija | 6 Cartucho |
| 2 Gatillo principal | 7 Gancho de cinturón |
| 3 Gatillo secundario | 8 Cubierta de punta |
| 4 Accesorio macho de 1/4" | 9 Punta que no causa daños |
| 5 Palanca de liberación de cargador | |

⚠ ¡ADVERTENCIA! Lea todas las advertencias de seguridad e instrucciones. El incumplimiento de las advertencias e instrucciones puede provocar descargas eléctricas, incendios o lesiones graves.

⚠ ADVERTENCIA: Para reducir el riesgo de lesiones, lea el manual de instrucciones.

Si tiene alguna duda o algún comentario sobre ésta u otra herramienta DEWALT, llámenos al número gratuito: 1-800-4-DEWALT (1-800-433-9258).

Las herramientas DEWALT son herramientas construidas a precisión, diseñadas para clavar con exactitud un alto volumen de clavos. Estas herramientas entregan un servicio eficiente y fiable cuando se usan correctamente y con cuidado. Al igual que con toda herramienta automática de calidad, deben seguirse las instrucciones del fabricante para obtener el óptimo rendimiento. Estudie este manual antes de operar la herramienta y tome nota de las advertencias y precauciones de seguridad. Deben leerse en detalle las instrucciones sobre la instalación, operación y mantenimiento, y debe conservarse el manual para referencia.

NOTA: Pueden necesitarse medidas adicionales de seguridad según la aplicación particular de la herramienta. Diríjase al representante o distribuidor de DEWALT si tiene alguna pregunta referente a la herramienta y su uso. DEWALT, 701 E. Joppa Road, Towson, Maryland 21286, EE.UU.

Las herramientas DEWALT han sido diseñadas para satisfacer completamente al cliente y lograr el máximo desempeño cuando se utilizan con sujetadores de precisión DEWALT construidos según los mismos estándares exigentes.

DEWALT no puede asumir responsabilidad alguna por el desempeño del producto si nuestras herramientas se utilizan con sujetadores o accesorios que no cumplan con los requisitos específicos establecidos para los clavos, grapas y accesorios originales DEWALT

Información de Seguridad



ADVERTENCIA: Use **SIEMPRE** lentes de seguridad.

Los anteojos de diario **NO SON** lentes de seguridad. Utilice además una cubrebocas o mascarilla antipolvo si la operación de corte genera demasiado polvo. **SIEMPRE LLEVE EQUIPO DE SEGURIDAD CERTIFICADO:**

- protección ocular ANSI Z87.1 (CAN/CSA Z94.3),
- protección auditiva ANSI S12.6 (S3.19),
- protección respiratoria NIOSH/OSHA/MSHA.



ADVERTENCIA: Algunas partículas de polvo generadas al lijar, serrar, esmerilar y taladrar con herramientas eléctricas, así como al realizar otras actividades de construcción, contienen químicos que el Estado de California sabe que pueden producir cáncer, defectos congénitos u otras afecciones reproductivas. Ejemplos de estos químicos son:

- plomo de algunas pinturas en base a plomo,
- polvo de sílice proveniente de ladrillos y cemento y otros productos de albañilería, y
- arsénico y cromo provenientes de madera tratada químicamente.

Su riesgo de exposición a estos químicos varía, dependiendo de la frecuencia con la cual realiza usted este tipo de trabajo. Para reducir su exposición a estas sustancias químicas: trabaje en una zona bien ventilada y llevando equipos de seguridad aprobados, como mascarillas antipolvo especialmente diseñadas para filtrar partículas microscópicas.

- **Evite el contacto prolongado con polvo generado por el lijado, aserrado, pulido, taladrado y otras actividades de construcción. Vista ropas protectoras y lave las áreas de la piel expuestas con agua y**

jabón. Si permite que el polvo se introduzca en la boca u ojos o quede sobre la piel, puede favorecer la absorción de productos químicos peligrosos.



ADVERTENCIA: Siempre lleve la debida protección auditiva personal en conformidad con ANSI S12.6 (S3.19) durante el uso de esta herramienta. Bajo algunas condiciones y duraciones de uso, el ruido producido por este producto puede contribuir a la pérdida auditiva.



ADVERTENCIA: Suministro y conexiones de aire

- No use oxígeno, gases combustibles o gases embotellados como fuente de energía para esta herramienta, ya que ella puede explotar y posiblemente causar lesiones.
- No use fuentes de suministro que posiblemente puedan superar los 14 kg/cm² (200 p.s.i.g.) ya que la herramienta puede explotar, y posiblemente causar lesiones.
- El conector de la herramienta no debe retener presión cuando se desconecta el suministro de gas. Si se usa un accesorio incorrecto, la herramienta puede permanecer cargada con aire después de la desconexión y así, podrá colocar un remache incluso después de desconectar la línea de aire, lo que producirá potenciales lesiones.
- No apriete el gatillo principal o secundario mientras está conectado al suministro de aire, ya que la herramienta puede realizar un ciclo y causar lesiones.
- Siempre desconecte el suministro de aire: 1.) Antes de realizar ajustes. 2.) Al realizar tareas de servicio en la herramienta. 3.) Al liberar una obstrucción. 4.) Cuando la herramienta no está en uso. 5.) Al pasar a un área de trabajo diferente, puede producirse el accionamiento accidental, y posiblemente causar una lesión.



ADVERTENCIA: Al cargar la herramienta:

- Nunca coloque una mano o parte del cuerpo en el área de descarga de pasador de la herramienta.
- Nunca apunte la herramienta a ninguna persona.
- No apriete el gatillo primario o secundario ya que puede producirse una activación accidental, que podría causar lesiones.



ADVERTENCIA: Al operar la herramienta:

- Siempre maneje la herramienta con cuidado:
 - Nunca participe en juegos con ella.
 - Nunca presione el gatillo a menos que la nariz apunte hacia el trabajo.
 - Mantenga a las demás personas a una distancia segura de la herramienta mientras está en funcionamiento, ya que puede accionarse por accidente, y posiblemente causar lesiones.
- El operador no debe sostener el gatillo secundario apretado, excepto durante la operación de fijación, ya que podría resultar en lesiones serias si la herramienta hace contacto accidentalmente

con alguien o algo, haciendo que la herramienta realice un ciclo.

- Mantenga las manos y el cuerpo alejados del área de descarga de la herramienta. La herramienta puede rebotar por el retroceso de la inserción de un pasador y un segundo pasador no deseado puede insertarse, posiblemente causando lesiones.
- Verifique el funcionamiento del mecanismo de disparo secundario con frecuencia. No use la herramienta si el gatillo secundario no funciona correctamente, ya que puede ocasionar la inserción accidental de un pasador. No interfiera con el funcionamiento correcto del mecanismo de disparo secundario.
- No coloque los pasadores encima de otros pasadores o con la herramienta en un ángulo demasiado pronunciado ya que esto puede provocar la desviación de los sujetadores, lo que podría ocasionar lesiones.
- No coloque los pasadores cerca del borde de la pieza de trabajo ya que la madera se puede dividir, lo que permite que el pasador se desvíe y posiblemente cause lesiones.
- Esta clavadora produce CHISPAS durante el uso. NUNCA use la clavadora cerca de sustancias inflamables, gases o vapores como laca, pintura, bencina, diluyente, gasolina, adhesivos, masilla, pegamentos o cualquier otro material que sea, o que sus vapores, humos o productos derivados sean, inflamables, combustibles o explosivos. Usar la clavadora en tal ambiente podría causar una EXPLOSIÓN que resulte en lesiones físicas o la muerte del usuario y personas cercanas.



ADVERTENCIA: Mantenimiento de la herramienta:

- Al trabajar con herramientas neumáticas, tenga en cuenta las advertencias en este manual y tenga precaución adicional al evaluar herramientas con problemas

Consigne de Sécurité Supplémentaire

- Use la herramienta neumática DEWALT solo para el propósito que fue diseñada.
- Nunca use esta herramienta de una manera que pueda causar que un pasador se dirija hacia el usuario u otras personas en el área de trabajo.
- No use la herramienta como martillo.
- Siempre transporte la herramienta por la manija. Nunca transporte la herramienta por la manguera de aire.
- No altere ni modifique la herramienta del diseño o función originales sin la aprobación previa de DEWALT.
- Siempre recuerde que el uso o la manipulación incorrectos de esta herramienta pueden causarles lesiones a usted y a otras personas.
- Antes de usar la herramienta, verifique que el accionador se encuentre en posición no accionada. Con la herramienta desconectada del suministro de aire, presione

el accionador y corrobore que vuelva a la posición de no accionamiento.

- Nunca deje la herramienta sin atención con la manguera de aire conectada.
- No utilice esta herramienta si no contiene una ETIQUETA DE ADVERTENCIA legible.
- No continúe usando una herramienta con una fuga de aire o que no funciona correctamente. Informe a su representante de DEWALT más cercano si la herramienta continúa experimentando problemas funcionales.

PARA PREVENIR LESIONES ACCIDENTALES:

- Nunca coloque la mano ni otra parte del cuerpo en el área de descarga de clavos de la herramienta mientras el aire de suministro está conectado.
- Nunca apunte la herramienta a otra persona.
- Nunca participe en juegos con ella.
- Nunca accione la herramienta a menos que la nariz esté apuntando al trabajo.
- Siempre maneje la herramienta con cuidado.
- No accione la herramienta mientras se carga.

GUARDE ESTAS INSTRUCCIONES PARA VOLVER A CONSULTAR EN EL FUTURO

COMPONENTES (FIG. A)



ADVERTENCIA: Nunca modifique la herramienta eléctrica, ni tampoco ninguna de sus piezas. Podría producir lesiones corporales o daños.

Consulte la Figura A al principio de este manual para obtener una lista completa de los componentes.

Uso Debido

Su pistola de clavos de pasador está diseñada para aplicaciones de sujeción profesionales.

NO utilice la herramienta en condiciones de humedad o en presencia de líquidos o gases inflamables.

Su pistola de clavos de pasador es una herramienta eléctrica profesional.

NO permita que los niños toquen la herramienta. Si el operador no tiene experiencia operando esta herramienta, su uso deberá ser supervisado.

ESPECIFICACIONES DE LA HERRAMIENTA

Modelo	DWFP2350
Longitud	234 mm (9,2")
Altura	222 mm (8,75")
Ancho	60 mm (2,33")
Peso	1,1 kg (2,50 lbs)

Accesorio Neumático de la Herramienta

Esta herramienta usa un accesorio macho de 1/4" N.P.T. El diámetro interno debe ser de 5 mm (0,200") o más. El accesorio debe poder descargar presión de aire de la herramienta cuando se desconecta del suministro de aire.

Presión de Funcionamiento

4,8 a 6,9 kg/cm² (70 a 100 p.s.i.g.). Seleccione la presión de operación dentro de este rango para obtener el mejor desempeño del sujetador. NO SUPERE ESTA PRESIÓN DE FUNCIONAMIENTO RECOMENDADA.

Consumo de Aire

La DWFP2350 requiere 58 litros por minuto (2,05 pies cúbicos por minuto) de aire libre para operar a una velocidad de 50 pasadores por minuto, a 5,6 kg/cm² (80 p.s.i.g.). Tome la velocidad real a la que se operará la herramienta para determinar la cantidad de aire requerida. Por ejemplo, si el uso de su pasador promedia 30 pasadores por minuto, necesita 50% c.f.m. de aire libre de la herramienta que se requiere para operar la herramienta a 100 pasadores por minuto.

ESPECIFICACIONES DE PASADOR

Modelo	DWFP2350
Pasadores	DEWALT DWPN23xxx PORTER-CABLE PPN23xxx, PN23PP BOSTITCH PT-23xx-3M, BTPN23PP
Calibre	23
Rango de pasador	15,8–50,8 mm (5/8"–2")
Capacidad de cargador	135 clavos más cantidad de bloqueo

Ajustes y Preparación de uso

Suministro de aire y conexiones



ADVERTENCIA: No use oxígeno, gases combustibles o gases embotellados como fuente de energía para esta herramienta, ya que ella puede explotar y posiblemente causar lesiones.

Accesorios

Instale una conexión macho en la herramienta que tenga flujo libre y que libere presión de aire de la herramienta cuando se desconecte de la fuente de suministro.

Mangueras

Las mangueras de aire deben tener un mínimo de 10,6 kg/cm² (150 p.s.i.g.) de clasificación de presión de trabajo o 150 por ciento de la presión máxima que podría producirse en el sistema neumático. La manguera de suministro debe contener un accesorio que proporcione "desconexión rápida" de la conexión macho 4 en la herramienta.

Fuente de Suministro

Use solo aire comprimido regulado limpio como fuente de alimentación de esta herramienta. NUNCA USE OXÍGENO, GASES COMBUSTIBLES O GAS EMBOTELLADO COMO FUENTE DE ALIMENTACIÓN PARA ESTA HERRAMIENTA, YA QUE PUEDE EXPLOTAR.

Regulador

Se requiere un regulador de presión con una presión de funcionamiento de 0–8,79 kg/cm² (0–125 p.s.i.g.) para controlar la presión de funcionamiento para la utilización segura de esta herramienta. No conecte esta herramienta

a presión de aire que potencialmente podría exceder los 14 kg/cm² (200 p.s.i.g.), ya que la herramienta puede fracturarse o explotar, y posiblemente causar lesiones.

Presión de Funcionamiento

No exceda la presión máxima recomendada de funcionamiento, ya que se aumentará significativamente el desgaste de la herramienta. El suministro de aire debe poder mantener la presión de funcionamiento en la herramienta. Las caídas de presión en el suministro de aire pueden reducir la potencia de accionamiento de la herramienta. Consulte las **Especificaciones de la Herramienta** para ajustar la presión correcta de funcionamiento para la herramienta.

Filtro

El polvo y el agua en el suministro de aire son causas importantes de desgaste en las herramientas neumáticas. Un filtro ayudará a obtener el mejor rendimiento y mínimo desgaste de la herramienta. El filtro debe tener una capacidad adecuada de flujo para la instalación específica. El filtro debe mantenerse limpio para ser efectivo al proporcionar aire comprimido limpio a la herramienta. Consulte las instrucciones del fabricante sobre el mantenimiento apropiado de su filtro. Un filtro sucio y obstruido causará una caída de presión que reducirá el rendimiento de la herramienta.

Motor Libre de Aceite

La pistola de clavos está diseñada para ser utilizada sin la necesidad de agregar aceite de herramienta neumática y aún así brindar una larga vida útil. Si se agrega aceite de herramienta neumática a la herramienta, seguirá funcionando correctamente.

Ajuste de Profundidad Libre de Herramienta (Fig. A, B–D)

Su pistola de clavos de pasador presenta ajuste de profundidad libre de herramienta para ajustar la profundidad de inserción de los pasadores.

Para Ajustar la Profundidad

1. Desconecte el suministro de aire de la herramienta.
2. Presione la palanca de liberación del cargador 5 y jale el cargador 6 hacia atrás para detener la alimentación de pasador.
3. Tome las lengüetas pequeñas en cada lado de la cubierta de la punta 8 y jale hacia arriba.

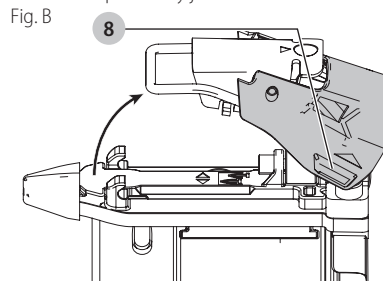
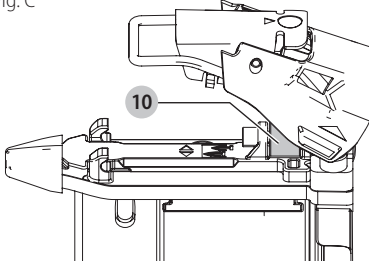


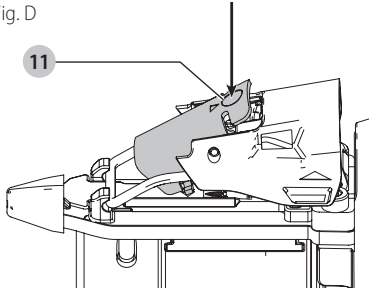
Fig. B

ESPAÑOL

4. Con la cubierta de la punta levantada, gire la rueda de ajuste de profundidad **10** para ajustar la profundidad.
Fig. C



5. Después de ajustar a la profundidad deseada, empuje la palanca de presión **11** hacia abajo para bloquear el mecanismo nuevamente en la posición de operación.
Fig. D



6. Cierre el cargador y vuelva a conectar el suministro de aire.

Bloqueo por Baja Cantidad de Pasadores

La pistola de clavos está equipada con un bloqueo de baja cantidad de pasadores que evita que la herramienta se accione cuando el cargador está casi vacío. Cuando queden aproximadamente 10 a 12 pasadores en el cargador, la herramienta deja de funcionar. Consulte **Carga de la Herramienta** para volver a cargar una barra de pasadores intercalados.

OPERACIÓN

Posición Adecuada de las Manos (Fig. E)



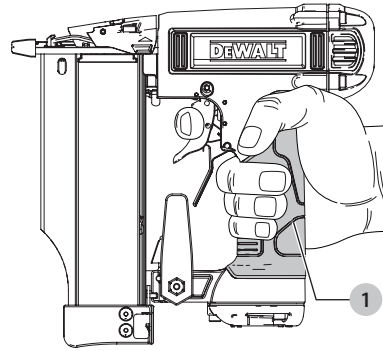
ADVERTENCIA: Para reducir el riesgo de lesión personal grave, tenga **SIEMPRE** las manos en una posición adecuada como se muestra.



ADVERTENCIA: Para reducir el riesgo de lesión personal grave, sujete **SIEMPRE** bien en caso de que haya una reacción repentina.

La posición de mano adecuada requiere una mano en la manija **1**.

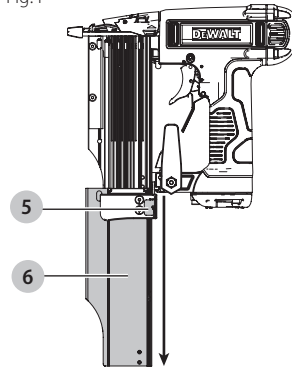
Fig. E



Carga de la Herramienta (Fig. F–H)

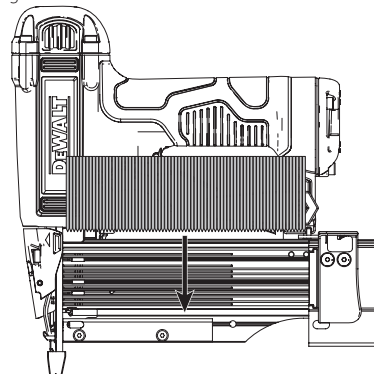
AVISO: Utilice sólo los pasadores recomendados para su pistola de clavos de pasador que cumplan con las especificaciones de DEWALT. Consulte **Especificaciones de pasador**.

1. Presione la palanca de liberación del cargador **5**.
2. Tire de la parte deslizante del cartucho **6** hacia atrás.
Fig. F



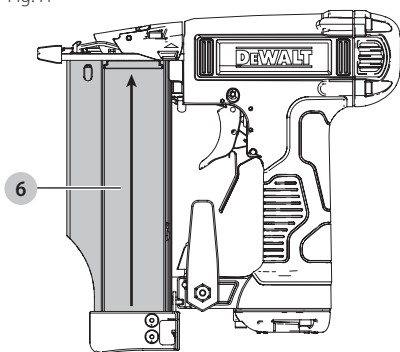
3. Cargue la tira de pasadores con la flecha apuntando hacia abajo tal como se indica. Si los pasadores tienen puntos negros en vez de flechas.

Fig. G



- Cierre el cargador hasta que se asegure. La herramienta ahora está lista para uso.

Fig. H



Funcionamiento con Gatillo Secundario (Fig. I)



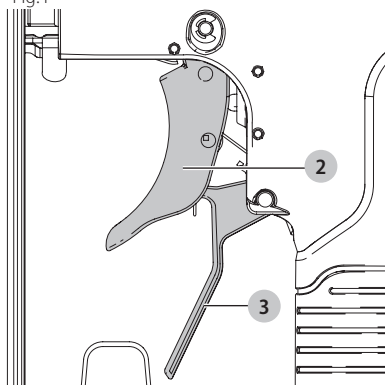
ADVERTENCIA: Nunca accione ni tome el gatillo secundario al moverse de un lado a otro, al cambiar de posición, enfundar o colgar la herramienta ni al preparar la superficie de trabajo a fin de realizar operaciones de fijación.



ADVERTENCIA: El operador no debe mantener el gatillo secundario accionado salvo durante la aplicación de fijaciones ya que podrían ocurrir lesiones graves si el gatillo hiciera contacto accidentalmente con algo o alguien, ocasionando que la herramienta haga un ciclo.

La herramienta se activará cada vez que se accione el gatillo primario **2** situado bajo la válvula, hasta que se suelte el gatillo secundario **3** bajo la empuñadura. Esta herramienta se opera activando o tomando primero el gatillo secundario situado bajo la empuñadura y luego accionando el gatillo primario bajo la válvula, tal como se muestra.

Fig. I



Gancho de Cinturón (Fig. J)



ADVERTENCIA: Retire los pasadores del cargador antes de realizar cualquier ajuste o reparar esta herramienta. De lo contrario, puede provocar lesiones graves.



ADVERTENCIA: Desconecte el suministro de aire de la herramienta antes de hacer cualquier ajuste, cambiar accesorios, dar servicio o mover la herramienta. Tales medidas preventivas de seguridad reducen el riesgo de accionar accidentalmente la herramienta.

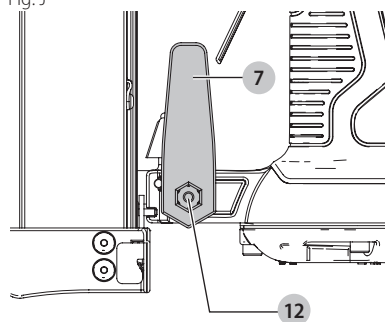
Su pistola de clavos de pasador DeWALT incluye un gancho para cinturón integrado **7** y se puede acoplar a cualquier lado de la herramienta para acomodarse a usuarios zurdos o diestros.

Si el gancho del cinturón no se desea en absoluto, se puede quitar de la herramienta.

Desinstalación y Re-Instalación de Gancho de Cinturón

- Desconecte el suministro de aire de la herramienta.
- Para cambiar la herramienta del uso de derecha a izquierda, simplemente quite el tornillo **12** del lado opuesto de la herramienta y vuelva a colocar el gancho del cinturón **7** en el otro lado.

Fig. J



MANTENIMIENTO

Liberación de Atasco sin Herramientas (Fig. A, B, D, K)



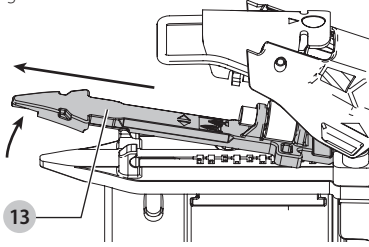
ADVERTENCIA: Siempre desconecte el suministro de aire antes de despejar un pasador atorado.

Su pistola de clavos de pasador cuenta con una liberación de atasco sin herramientas para despejar los pasadores atorados.

Para Eliminar un Pasador Atascado

- Desconecte el suministro de aire de la herramienta.
- Presione la palanca de liberación del cargador **5** y jale el cargador **6** hacia atrás para detener la alimentación del pasador.
- Retire la punta de protección **9**.
- Tome las lengüetas pequeñas en cada lado de la cubierta de la punta **8** y jale hacia arriba como se muestra en la Figura B.
- Con la cubierta de la punta levantada, deslice la cubierta de la punta interna **13** hacia adelante y levante para despejar el pasador atascado.

Fig. K



6. Empuje la palanca de presión **11** hacia abajo para bloquear el mecanismo nuevamente en la posición de operación después de que se elimine el atasco como se muestra en la Figura D.
7. Conecte la punta de protección.
8. Cierre el cargador y vuelva a conectar el suministro de aire.

Vérification du Système de Déclenchement (Fig. A)

⚠️ ADVERTENCIA: *retirer toutes les attaches de fixation de l'outil avant de procéder à une vérification du fonctionnement de celui-ci.*

Funcionamiento con Gatillo Secundario (Fig. A)

⚠️ ADVERTENCIA: *Quite todos los sujetadores de la herramienta antes de efectuar la verificación de la operación de la herramienta.*

El gatillo primario **2** está ubicado bajo la válvula de disparo. Puede activar la herramienta solamente si ya se ha accionado el gatillo secundario **3**.

El gatillo secundario está ubicado bajo la empuñadura. El gatillo secundario evita que el gatillo primario active la herramienta si no se ha accionado primero el gatillo secundario.

Ponga la punta de la herramienta contra una pieza de trabajo para todas las verificaciones de funcionamiento a continuación.

1. Con la mano en la parte de atrás de la empuñadura, hacia atrás del gatillo secundario, y sin apretar el gatillo secundario, use el dedo para accionar el gatillo primario. **NO DEBE HACER UN CICLO LA HERRAMIENTA.**
2. Con la mano en la empuñadura, y apretando el gatillo secundario, use el dedo para accionar el gatillo primario. **DEBE HACER UN CICLO LA HERRAMIENTA.**

⚠️ ATENCIÓN: *Mientras tiene accionado el gatillo secundario, la herramienta hará un ciclo cada vez que se accione el gatillo primario.*

Accesorios

⚠️ ADVERTENCIA: *Debido a que no se han probado con este producto otros accesorios que no sean los que ofrece DeWALT, el uso de dichos accesorios con esta herramienta podría ser peligroso. Para reducir el riesgo de lesiones, con este producto deben usarse sólo los accesorios recomendados por DeWALT.*

Los accesorios que se recomiendan para utilizar con la herramienta están disponibles a un costo adicional en su distribuidor local o en un centro de mantenimiento autorizado. Si necesita ayuda para localizar algún accesorio, póngase en contacto con DeWALT, llame al 1-800-4-DeWALT (1-800-433-9258).

Limpieza

⚠️ ADVERTENCIA: *Sople la suciedad y el polvo de todos los conductos de ventilación con aire seco, al menos una vez por semana. Para reducir el riesgo de lesiones, utilice siempre protección para los ojos aprobada ANSI Z87.1 al realizar esta tarea.*

⚠️ ADVERTENCIA: *Nunca utilice solventes ni otros químicos abrasivos para limpiar las piezas no metálicas de la herramienta. Estos productos químicos pueden debilitar los materiales plásticos utilizados en estas piezas. Utilice un paño humedecido sólo con agua y jabón neutro. Nunca permita que penetre líquido dentro de la herramienta ni sumerja ninguna de las piezas en un líquido.*

Reparaciones

⚠️ ADVERTENCIA: *Para asegurar la SEGURIDAD y la CONFIABILIDAD del producto, las reparaciones, el mantenimiento y los ajustes (inclusive la inspección y el cambio de las escobillas, cuando proceda) deben ser realizados en un centro de mantenimiento en la fábrica DeWALT u en un centro de mantenimiento autorizado DeWALT. Utilice siempre piezas de repuesto idénticas.*

Para reparación y servicio de sus herramientas eléctricas, favor de dirigirse al Centro de Servicio más cercano

CULIACAN, SIN

Bldv. Emiliano Zapata 5400-1 Poniente Col. (667) 717 89 99 San Rafael

GUADALAJARA, JAL

Av. La Paz #1779 - Col. Americana Sector (33) 3825 6978 Juárez

MEXICO, D.F.

Eje Central Lázaro Cárdenas No. 18 - Local (55) 5588 9377 D, Col. Obrera

MERIDA, YUC

Calle 63 #459-A - Col. Centro (999) 928 5038

MONTERREY, N.L.

Av. Francisco I. Madero 831 Poniente - Col. (818) 375 23 13 Centro

PUEBLA, PUE

17 Norte #205 - Col. Centro (222) 246 3714

QUERETARO, QRO

Av. San Roque 274 - Col. San Gregorio (442) 2 17 63 14

SAN LUIS POTOSI, SLP

Av. Universidad 1525 - Col. San Luis (444) 814 2383

TORREON, COAH

Blvd. Independencia, 96 Pte. - Col. Centro (871) 716 5265

VERACRUZ, VER

Prolongación Díaz Mirón #4280 - Col. Remes (229) 921 7016

VILLAHERMOSA, TAB

Constitución 516-A - Col. Centro (993) 312 5111

PARA OTRAS LOCALIDADES:**Si se encuentra en México, por favor llame al
(55) 5326 7100****Si se encuentra en U.S., por favor llame al
1-800-433-9258 (1-800 4-DEWALT)****Póliza de Garantía**

IDENTIFICACIÓN DEL PRODUCTO:

Sello o firma del Distribuidor.

Nombre del producto: _____

Mod./Cat.: _____

Marca: _____

Núm. de serie: _____

(Datos para ser llenados por el distribuidor)

Fecha de compra y/o entrega del producto:

Nombre y domicilio del distribuidor donde se adquirió el producto:

Este producto está garantizado por un año a partir de la fecha de entrega, contra cualquier defecto en su funcionamiento, así como en materiales y mano de obra empleados para su fabricación. Nuestra garantía incluye la reparación o reposición del producto y/o componentes sin cargo alguno para el cliente, incluyendo mano de obra, así como los gastos de transportación razonablemente erogados derivados del cumplimiento de este certificado.

Para hacer efectiva esta garantía deberá presentar su herramienta y esta póliza sellada por el establecimiento comercial donde se adquirió el producto, de no contar con ésta, bastará la factura de compra.

Excepciones

Esta garantía no será válida en los siguientes casos:

- Cuando el producto se hubiese utilizado en condiciones distintas a las normales;
- Cuando el producto no hubiese sido operado de acuerdo con el instructivo de uso que se acompaña;
- Cuando el producto hubiese sido alterado o reparado por personas distintas a las enlistadas al final de este certificado.

Anexo encontrará una relación de sucursales de servicio de fábrica, centros de servicio autorizados y franquiciados en la República Mexicana, donde podrá hacer efectiva su garantía y adquirir partes, refacciones y accesorios originales.

Registro en Línea

Gracias por su compra. Registre su producto ahora para:

- **SERVICIO EN GARANTÍA:** Si completa esta tarjeta, podrá obtener un servicio en garantía más eficiente, en caso de que exista un problema con su producto.
- **CONFIRMATCIÓN DE PROPIEDAD:** En caso de una pérdida que cubra el seguro, como un incendio, una inundación o un robo, el registro de propiedad servirá como comprobante de compra.
- **PARA SU SEGURIDAD:** Si registra el producto, podremos comunicarnos con usted en el caso improbable que se deba enviar una notificación de seguridad conforme a la Federal Consumer Safety Act (Ley Federal de Seguridad de Productos para el Consumidor).

Registro en línea en www.dewalt.com/support/product-registration.**Garantía Limitada por Tres Años**

DEWALT reparará, sin cargo, cualquier falla que surja de defectos en el material o la fabricación del producto, por hasta tres años a contar de la fecha de compra. Esta garantía no cubre fallas de las piezas causadas por su desgaste normal o abuso a la herramienta. Para mayores detalles sobre la cobertura de la garantía e información acerca de reparaciones realizadas bajo garantía, visítenos en www.dewalt.com o diríjase al centro de servicio más cercano. Esta garantía no aplica a accesorios o a daños causados por reparaciones realizadas o intentadas por terceros. ESTA GARANTÍA LIMITADA SE OTORGA EN VEZ DE TODAS LAS DEMÁS, INCLUIDA LA GARANTÍA IMPLÍCITA DE COMERCIABILIDAD Y APTITUD PARA UN FIN PARTICULAR, Y EXCLUYE TODOS LOS DAÑOS INCIDENTALES O CONSECUENTES. Algunos estados no permiten limitaciones sobre la duración de una garantía implícita, o la exclusión o limitación de daños incidentales o consecuentes, así que estas limitaciones pueden no aplicarse a usted. Esta garantía le otorga derechos legales específicos, además de los cuales usted puede tener otros derechos dependiendo del estado o la provincia en que se encuentre.

Además de la garantía, las herramientas DEWALT están cubiertas por:

1 AÑO DE SERVICIO GRATUITO

DEWALT mantendrá la herramienta y reemplazará las piezas gastadas por su uso normal, sin cobro, en cualquier momento durante un año a contar de la fecha de compra.

**GARANTÍA DE REEMBOLSO DE SU DINERO
POR 90 DÍAS**

Si no está completamente satisfecho con el desempeño de su máquina herramienta, láser o clavadora DEWALT, cualquiera sea el motivo, podrá devolverlo hasta 90 días de la fecha de compra con su recibo y obtener el reembolso completo de su dinero – sin necesidad de responder a ninguna pregunta.

ESPAÑOL

AMÉRICA LATINA: Esta garantía no se aplica a los productos que se venden en América Latina. Para los productos que se venden en América Latina, debe consultar la información de la garantía específica del país que viene en el empaque, llamar a la compañía local o visitar el sitio Web a fin de obtener esa información.

REEMPLAZO GRATUITO DE LAS ETIQUETAS DE

ADVERTENCIAS: Si sus etiquetas de advertencia se vuelven ilegibles o faltan, llame al 1-800-433-9258 (1-800-4-DEWALT) para que se le reemplacen gratuitamente.

ESPECIFICACIONES

DWFP2350	
Rango de pasador	15,8–50,8 mm (5/8"–2")
Capacidad de cargador	135 clavos más cantidad de bloqueo
Presión de funcionamiento	4,8 to 6,9 kg/cm ² (70 to 100 p.s.i.g.)

Solamente para propósito de México:

Importado por: DEWALT Industrial Tool Co. S.A. de C.V.

Avenida Antonio Dovali Jaime, # 70 Torre B Piso 9

Colonia La Fe, Santa Fé

Código Postal : 01210

Delegación Alvaro Obregón

México D.F.

Tel. (52) 555-326-7100

R.F.C.: BDE810626-1W7

Resolución de Problemas

Problema	Causa	Corrección
La carcasa de la válvula del gatillo tiene una fuga de aire.	Junta tórica cortada o rajada.	Reemplace la junta tórica.
La varilla de la válvula del gatillo tiene una fuga de aire.	Junta tórica/sellos cortados o rajados.	Reemplace la unidad de la válvula del gatillo.
El marco o la nariz tienen una fuga de aire.	Sello o burlete dañados.	Reemplace el sello o el burlete.
	La junta tórica o el burlete están cortados o rajados.	Reemplace la junta tórica o el burlete.
	Protección rajada/desgastada.	Reemplace el tope de protección.
El marco/tapa tienen una fuga de aire.	Sello o burlete dañados.	Reemplace el sello o el burlete.
	Tope de protección de válvula del cabezal rajado/desgastado.	Reemplace el tope de protección.
	Tornillos flojos en la tapa.	Ajuste y vuelva a comprobar.
No se acciona.	Restricción del suministro de aire.	Revise el equipo de suministro de aire.
	Juntas tóricas de la válvula del cabezal desgastadas.	Reemplace las juntas tóricas.
	Resorte de la tapa del cilindro roto.	Reemplace el resorte de la tapa del cilindro.
	Válvula del cabezal atascada en la tapa.	Desensamble/Revise/Lubrique.
Falta de corriente; accionamiento lento.	Herramienta seca, falta de lubricación.	Use lubricante para herramientas neumáticas.
	Resorte de la tapa del cilindro roto.	Reemplace el resorte de la tapa.
	Escape bloqueado.	Compruebe la protección, el resorte de la válvula del cabezal, el silenciador.
	Ensamblaje del gatillo desgastado/con fugas.	Reemplace el ensamblaje del gatillo.
	Acumulación de suciedad/alquitrán en la transmisión.	Desensamble la nariz/transmisión para limpiar.
	Manga del cilindro no asentada correctamente .	Desensamble para corregir en la protección inferior.
	Presión de aire demasiado baja.	Revise el equipo de suministro de aire.
Se saltan pasadores; alimentación intermitente.	Tope desgastado.	Reemplace el tope de protección.
	Tar/dirt in driver channel.	Disassemble and clean nose and driver.
	Alquitrán/suciedad en el canal de transmisión.	Desensamble y limpie la nariz y el controlador.
	Restricción de aire/flujo de aire inadecuado .	Replace quick disconnect fittings.
	Llave y enchufe de desconexión rápida.	Reemplace los accesorios de desconexión rápida.
	Junta tórica del pistón desgastada.	Reemplace la junta tórica; revise la transmisión.
	Resorte del impulsor dañado.	Reemplace el resorte.
	Baja presión de aire.	Revise el sistema de suministro de aire de la herramienta.
	Pasadores demasiado cortos para la herramienta.	Use sólo los pasadores recomendados.
	Pasadores doblados.	Deje de usar estos pasadores.
	Pasadores de tamaño incorrecto.	Use sólo los pasadores recomendados.
	Junta de la tapa del cabezal con fugas.	Ajuste los tornillos/reemplace la junta.
	Junta tórica de la válvula del gatillo cortada/desgastada.	Reemplace la junta tórica.
	Transmisión rota/desgastada.	Reemplace la transmisión (revise la junta tórica del pistón).
	Cargador sucio.	Limpie.
Cargador desgastado.	Reemplace el cargador.	
Los pasadores se atascan en la herramienta.	Canal de la transmisión desgastado.	Reemplace la nariz/compruebe la puerta.
	Pasadores de tamaño incorrecto.	Use sólo los pasadores recomendados.
	Pasadores doblados.	Deje de usar estos pasadores.
	Tornillos flojos del cargador/de la nariz.	Ajuste todos los tornillos.
	Transmisión rota/desgastada.	Reemplace la transmisión.





DEWALT Industrial Tool Co., 701 East Joppa Road, Towson, MD 21286
(MAY18) Part No. N560009 DWFP2350 Copyright © 2018 DEWALT

The following are trademarks for one or more DEWALT power tools: the yellow and black color scheme, the "D" shaped air intake grill, the array of pyramids on the handgrip, the kit box configuration, and the array of lozenge-shaped humps on the surface of the tool.