



Buy it for looks. Buy it for life.®

Specifications

*There is more than 1 version of this model.
Page down to identify the version you have.*

FAUCET DESCRIPTION

- Metal construction with chrome plated finish
- Inlet shanks will accept 3/8" ball nose connections


OPERATION

- Mini blade style handles with hot and cold color indicators

CARTRIDGE

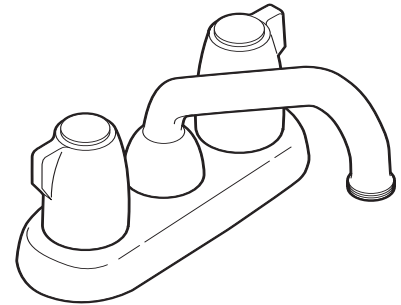
- 1224 cartridge design

STANDARDS

- Designed and manufactured to meet ASME A112.18.1/CSA B-125.1 and all applicable requirements referenced therein
- Contains no more than 0.25% weighted average lead content
- **ADA**  for lever handles

WARRANTY

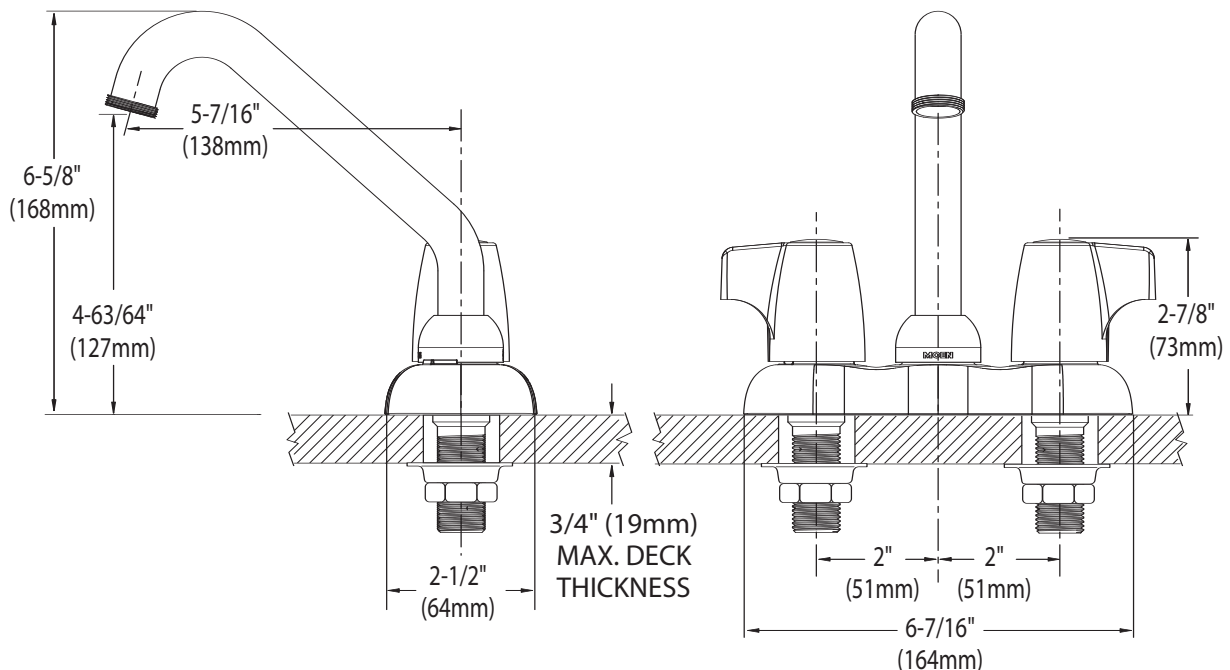
- Lifetime limited warranty against leaks, drips and finish defects



MOEN®
Two Handle Laundry Faucet

Model: 74998

NOTE: Designed to be installed through
2 - 1" min. dia. holes 4" on center



CRITICAL DIMENSIONS

(DO NOT SCALE)



Buy it for looks. Buy it for life.®

Specifications

FAUCET DESCRIPTION

- Chrome plated metal construction


OPERATION

- Small lever style

CARTRIDGE

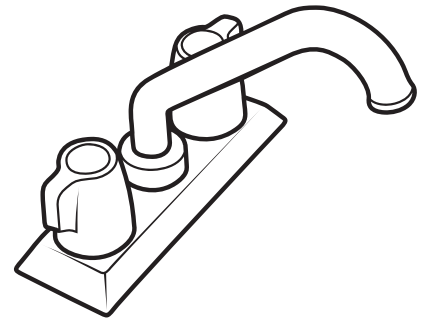
- 1224 cartridge design

STANDARDS

- Designed and manufactured to meet ASME A112.18.1/CSA B-125.1 and all applicable requirements referenced therein
- **ADA**  for lever handles

WARRANTY

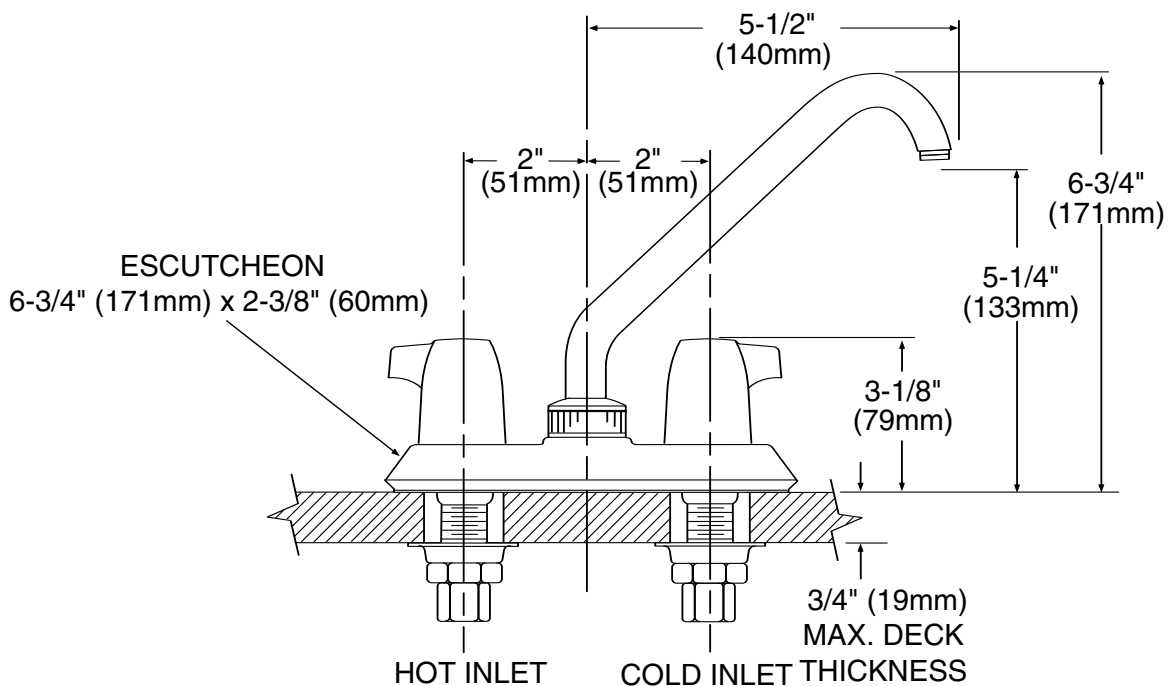
- Lifetime limited warranty against leaks, drips and finish defects



MOEN®
Two Handle Laundry Faucet

Model: 74998

NOTE: DESIGNED TO INSTALL
THRU 2 HOLES 1" (25mm) MIN. DIA.
AND 4" (102mm) ON CENTER



CRITICAL DIMENSIONS

(DO NOT SCALE)

FOR MORE INFORMATION CALL: 1-800-BUY-MOEN

www.moen.com