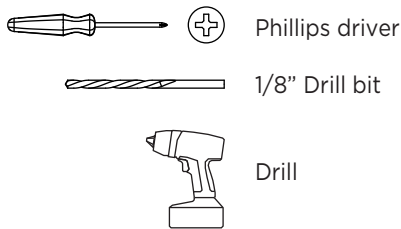


## SINGLE FOLDING BIKE RACK | PSB-1R

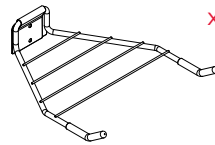
# INSTRUCTIONS

[WWW.RACORSTORAGESOLUTIONS.COM](http://WWW.RACORSTORAGESOLUTIONS.COM)

### TOOLS REQUIRED



### PARTS LIST



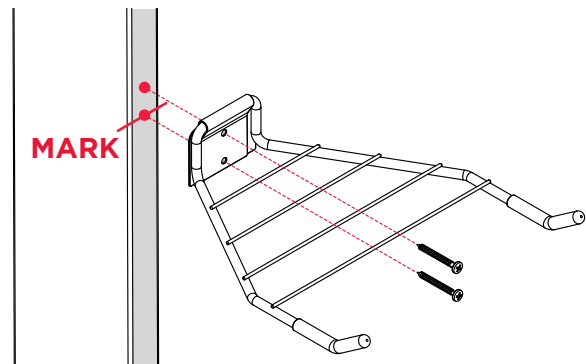
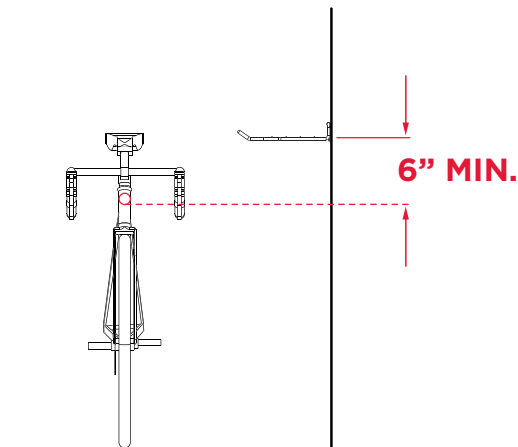
x1 Folding bike rack



x2 2" (5 cm) wood screws

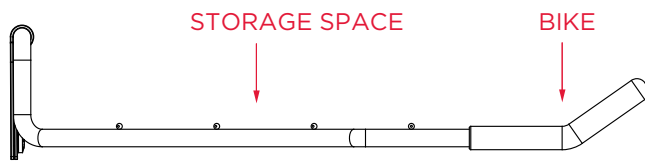
### WARNING

Please read installation instructions carefully prior to installing. Before using the product thoroughly test the fully-weighted product (with equipment in place) to ensure the product has been installed properly. Do not allow children to play on product. ITW Brands is not responsible for any damage resulting from improper installation, overloading or product failure.



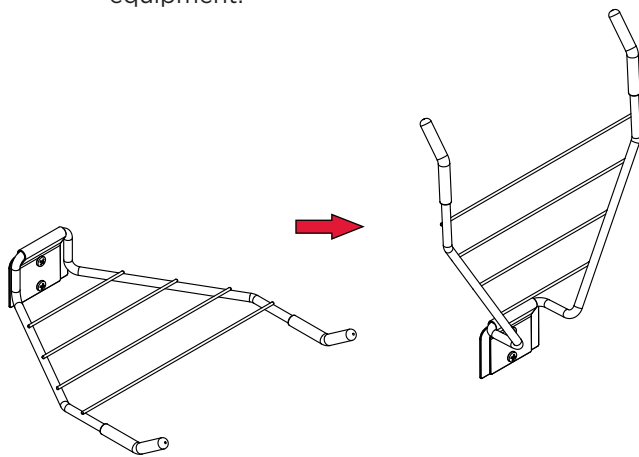
**1** Locate a stud that you wish to mount the bike rack on. Position the rack at least 6" higher than the height of the cross bar of your bicycle.

**2** Mark holes through rack mounting plate, drill 1/8" pilot holes and install screws into a stud. Tighten screws firmly.



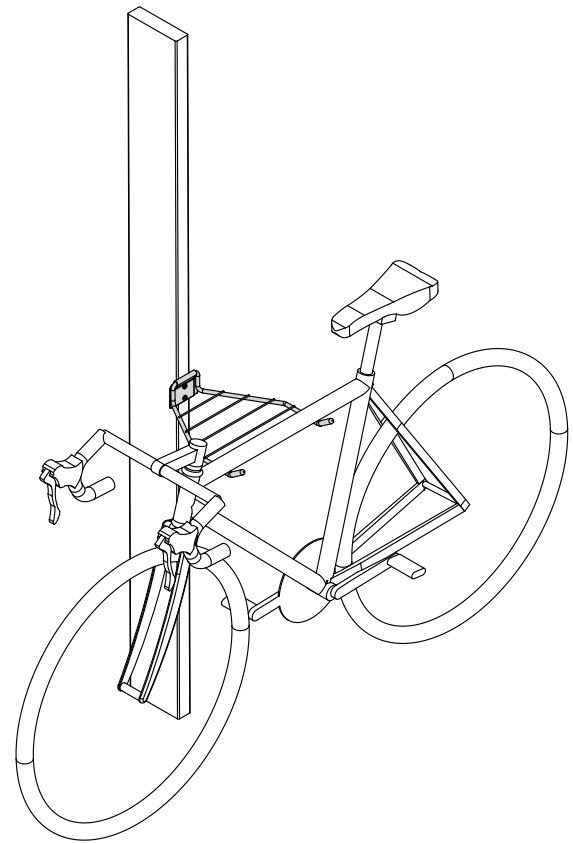
### **A** USING THE BIKE RACK

The bike rack's arms will hold one bike parallel to the wall. It also features additional storage space for other equipment.



### **B** CLOSING THE BIKE RACK

When the rack is not in use it can be folded away by simply lifting it up and pushing it against the wall.



### **C** BIKE PLACEMENT

The bike is held by its frame at the bends in the arms of the rack.

**Limited Warranty:** These products are sold "as is" without any express or implied warranties. ITW Brands' sole liability, if any, shall be to replace this product or refund the purchase price. The performance of these products is subject to variable conditions and maximum load ratings are shown for comparison purposes only.

## **PSB-1R**

Made in China

ITW Brands, A division of Illinois Tool Works Inc.

955 National Parkway, Suite 95500

Schaumburg, IL 60173

800-783-7725

[www.RacorStorageSolutions.com](http://www.RacorStorageSolutions.com)

Email: [racorcs@itwbrands.com](mailto:racorcs@itwbrands.com)

© 2011 Illinois Tool Works Inc.

Racor and Racor logo are registered trademarks of Illinois Tool Works Inc.

**racor**<sup>®</sup>  
HOME STORAGE PRODUCTS

Thank you for purchasing this product. Racor storage and organizational solutions will inspire and put you back in control of your space. Racor has the largest variety of solutions to organize and store bikes, sports equipment, lawn and garden supplies, bulky items like ladders and totes, and clutter items like tools. Please visit [www.RacorStorageSolutions.com](http://www.RacorStorageSolutions.com) for other great organizational products.