



User's Manual & Operating Instructions

Model Numbers

PT-40-GFA / PT-60V-GFA-A / PT-125V-GFA-A / PT-150V-GFA-A



CONSUMER: READ AND SAVE THESE INSTRUCTIONS

▲ DANGER GENERAL HAZARD WARNING:

FAILURE TO COMPLY WITH THE PRECAUTIONS AND INSTRUCTIONS PROVIDED WITH THIS HEATER, CAN RESULT IN DEATH, SERIOUS BODILY INJURY AND PROPERTY LOSS OR DAMAGE FROM HAZARDS OF FIRE, EXPLOSION, BURN, ASPHYXIATION, CARBON MONOXIDE POISONING AND / OR ELECTRIC SHOCK.

ONLY PERSONS WHO CAN UNDERSTAND AND FOLLOW THE INSTRUCTIONS SHOULD USE OR SERVICE THIS HEATER.

IF YOU NEED ASSISTANCE OR HEATER INFORMATION SUCH AS AN INSTRUCTIONS MANUAL, LABEL, ETC. CONTACT THE MANUFACTURER.

▲ WARNING FIRE, BURN, INHALATION, AND EXPLOSION HAZARD. KEEP SOLID COMBUSTIBLES, SUCH AS BUILDING MATERIALS, PAPER OR CARDBOARD, A SAFE DISTANCE AWAY FROM THE HEATER AS RECOMMENDED BY THESE INSTRUCTIONS. NEVER USE THE HEATER IN SPACES WHICH DO OR MAY CONTAIN VOLATILE OR AIRBORNE COMBUSTIBLES, OR PRODUCTS SUCH AS GASOLINE, SOLVENTS, PAINT THINNERS, DUST PARTICLES OR UNKNOWN CHEMICALS.

© 2013 Pinnacle Products International, Inc.

668 Stony Hill Road #302 Yardley, PA 19067 USA • Toll Free (800)-641-6996

Fax: (215)-891-8461 • Web: www.protemp.us • Email: info@pinnacleint.com





**NEVER LEAVE HEATER UNATTENDED WHILE BURNING,
CONNECTED TO A POWER SOURCE, OR WHILE
CONNECTED TO A FUEL SOURCE**

Table Of Contents

Safety Information.....	1-3	Wiring Diagrams.....	9
Specifications and Features.....	4	Troubleshooting Guide.....	10
Operation.....	5-7	Exploded View.....	11
Ventilation.....	8	Parts List.....	12
Maintenance.....	8	Warranty.....	13

Safety Information

▲ WARNING NOT FOR HOME OR RECREATIONAL VEHICLE USE.

▲ DANGER **Carbon Monoxide Hazard** This heater produces carbon monoxide, which has no odor. Burning the heater in an enclosed space can kill you. Never use the heater in enclosed spaces such as a tent, a camper, any vehicle or recreational vehicle (RV), enclosed shelter, or any other enclosed areas.

▲ DANGER If the information in this manual is not followed exactly, a fire or explosion may result causing property damage, personal injury or loss of life.

▲ DANGER Not for use in residential living areas or in non-adequately ventilated enclosed spaces. Never bring or store a propane cylinder indoors.

▲ WARNING **DO NOT OPERATE THIS HEATER UNTIL YOU HAVE READ AND THOROUGHLY UNDERSTAND THESE SAFETY AND OPERATING INSTRUCTIONS.**

Failure to comply with the precautions and instructions provided with this heater can result in death, serious bodily injury, property loss or damage from the hazards of fire, explosions, burns, asphyxiation or carbon monoxide poisoning. Only persons who can read and understand these instructions should use or service this heater.

▲ WARNING This is an unvented portable heater. It uses air (oxygen) from the area in which it is used. Adequate combustion and ventilation air must be provided. Refer to VENTILATION on Page 8.

▲ WARNING **CALIFORNIA RESIDENTS:** This product contains chemicals, including lead, known to the State of California to cause birth defects or other reproductive harm.
Wash hands after handling.

This heater is designed and approved for use as a construction heater in accordance with Standard ANSI Z83.7-2011/CSA 2.14-2011. CHECK WITH YOUR LOCAL FIRE SAFETY AUTHORITY IF YOU HAVE ANY QUESTIONS ABOUT APPLICATIONS. Other standards govern the use of fuel gasses and heating products for specific uses. Your local authority can advise you about these.



NEVER LEAVE HEATER UNATTENDED WHILE BURNING, CONNECTED TO A POWER SOURCE, OR WHILE CONNECTED TO A FUEL SOURCE

Safety Information

▲ WARNING RISK OF INDOOR AIR POLLUTION!

The products described in this manual are propane direct-fired, forced air heaters. Propane forced air heaters are primarily intended for use for temporary heating of buildings under construction, alteration or repair. Direct-fired means that all of the combustion products of the heater enter the heated space. This appliance is rated at 98% combustion efficiency, but does produce small amounts of carbon monoxide.

▲ DANGER CARBON MONOXIDE POISONING MAY LEAD TO DEATH!

Carbon monoxide is toxic. Humans can tolerate only small amounts of carbon monoxide and so precautions should be taken to provide proper ventilation. Failure to provide proper ventilation in accordance with the instructions in this manual can result in death.

People with breathing problems should consult a physician before using this heater.

Early signs of carbon monoxide poisoning resemble the flu. Symptoms of improper ventilation / carbon monoxide poisoning are:

**Headache • Dizziness • Nausea • Dry Mouth
Sore Throat • Burning of Nose and Eyes**

If you experience any of these symptoms: **GET FRESH AIR AT ONCE!** Have your heater serviced and check for proper ventilation. Some people are more affected by carbon monoxide than others. These include: pregnant women, those with heart or lung problems, anemia or those under the influence of alcohol or at high altitudes.

Use this heater in only well ventilated areas! Provide at least a three square foot (2,800 sq cm) opening of outside air for every 100,000 Btu / Hr heater rating. Refer to “Ventilation” on page 8 for further instructions.

▲ DANGER PROPANE IS AN EXPLOSIVE GAS.

WHAT TO DO IF THE SMELL OF GAS IS PRESENT:

- **DO NOT attempt to light the heater.**
- **Extinguish any open flame.**
- **Shut off gas to heater.**
- **If odor continues, contact your local gas supplier or fire department.**
- **DO NOT touch or use any electric switch or any electric device that can cause a spark.**
- **Immediately call your gas supplier from a neighbors phone. Follow the gas suppliers instructions.**
- **If you can not reach your gas supplier, call the fire department.**
- **Service must be done by a qualified service agency.**

▲ WARNING RISK OF BURNS, FIRE AND EXPLOSION!

- NEVER store or use gasoline or other flammable vapors and liquids in the vicinity of this heater.
- NEVER store a propane (LP) cylinder not connected to this heater in the vicinity of this heater.
- NEVER connect heater to an unregulated gas supply.
- NEVER obstruct the flow of combustion and ventilation air. (The front and rear of heater).
- NEVER use duct work in front or rear of heater.
- NEVER modify this heater or operate a heater that has been modified.
- NEVER service, move or handle heater while still hot or operating

▲ WARNING CAUTION! HOT WHILE IN OPERATION. DO NOT TOUCH. KEEP CHILDREN, ANIMALS, CLOTHING AND COMBUSTIBLES AWAY FROM HEATER.

Keep all combustible materials away from this heater.

Minimum Clearance From Combustibles			
Sides	Top	Front	Rear
24 in.	36 in.	72 in.	24 in.



NEVER LEAVE HEATER UNATTENDED WHILE BURNING, CONNECTED TO A POWER SOURCE, OR WHILE CONNECTED TO A FUEL SOURCE

Safety Information

▲WARNING RISK OF ELECTRIC SHOCK!

▲WARNING Electrical Grounding Instructions: This appliance is equipped with a three-prong (grounding) plug for your protection against shock hazard and should be plugged directly into a properly grounded three-prong receptacle.

ALWAYS use the electrical power (voltage and frequency) specified on the model plate of the heater.
ALWAYS use only 14 AWG or better extension cord.
ALWAYS unplug the heater when not in use.
ALWAYS install the heater so that it is not directly exposed to water spray, rain, dripping water, or wind.

▲WARNING For use with propane (LP) gas only.

- Use heater in accordance with all local codes. In the absence of local codes, refer to The National Fuel Code, ANSI Z223.1.
- **This heater is shipped from the factory for use with propane (LP) gas only.** Do not convert to any other gas. Installation must conform to local codes, or in their absence, with the standard for the Storage and

▲WARNING The hose assembly shall be protected from traffic, building material and contact with hot surfaces both during use and while in storage.

- Handling of Liquefied Petroleum Gases ANSI/NFPA 58 and the Natural Gas and Propane Installation Code CSA B149.1.
- Gas supply connections should be checked by using a 50/50 soap and water solution. Never use a flame to check for gas leaks.
 - Locate LP cylinder at least 6 feet (10 ft. in Canada) from the heater, and do not direct heater discharge towards the LP cylinder unless it is at least 20 feet from the heater.
 - Use only the regulator and hose assembly provided with this heater. Inspect the regulator/hose assembly prior to each use of the heater. If there is excessive abrasion or wear, or if the hose is cut, replace it with the proper assembly shown in the parts list, prior to using the heater.

Minimum and Maximum Inlet Pressure				
	PT-40	PT-60V	PT-125V	PT-150V
Min.	5 PSI			
Max.	Bottle Pressure			

▲WARNING RISK OF FIRE! DO NOT POSITION HEATER IN A DOWNWARD ANGLE. ALWAYS LOCATE HEATER ON A STABLE AND LEVEL SURFACE!

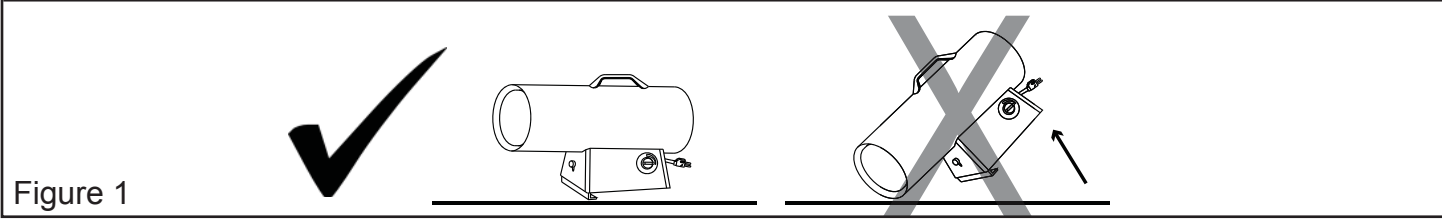


Figure 1

Unpacking

1. Remove all packing items applied to heater for shipment. Keep plastic cover caps attached to inlet connector and hose / regulator assembly for storage.
2. Remove all items from carton
3. Check all items for shipping damage. If the heater is damaged, promptly inform dealer where you purchased the heater.

▲CAUTION The Propane (LP) gas pressure regulator and hose assembly supplied with the heater must be used without alteration.



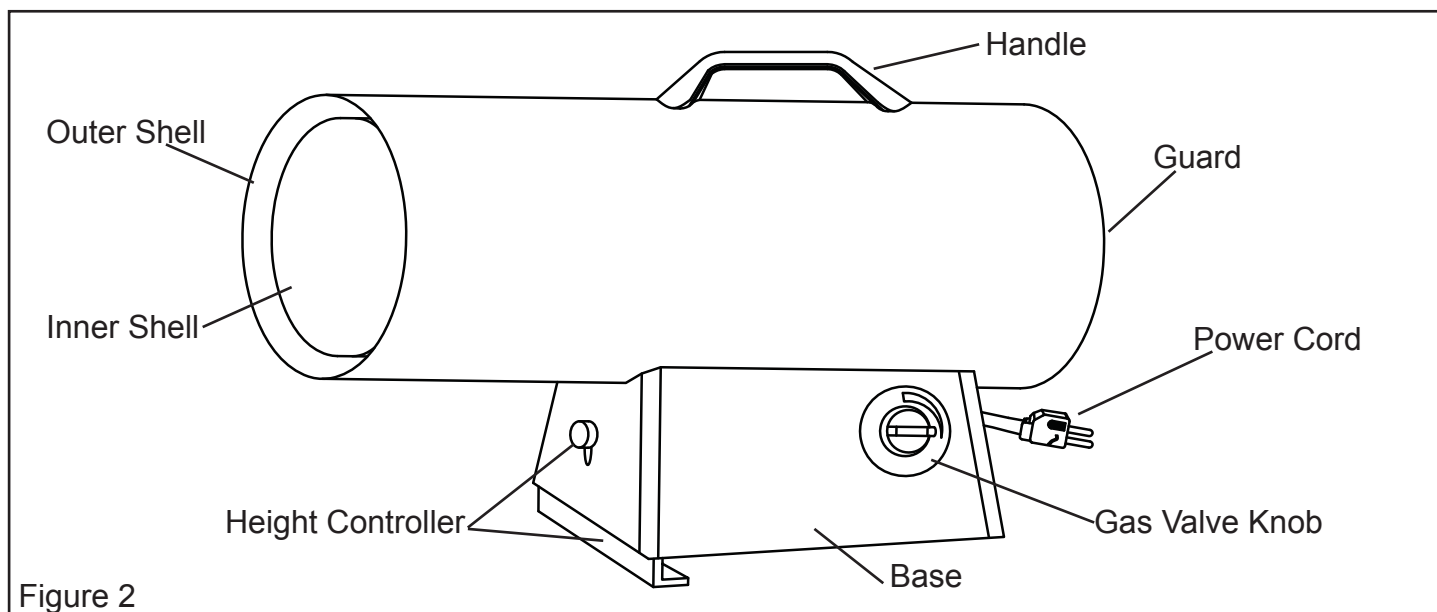
**NEVER LEAVE HEATER UNATTENDED WHILE BURNING,
CONNECTED TO A POWER SOURCE, OR WHILE
CONNECTED TO A FUEL SOURCE**

Specifications

Model #	PT-40-GFA	PT-60V-GFA-A	PT-125V-GFA-A	PT-150V-GFA-A
BTU	40,000	40/50/60,000	95/110/125,000	120/135/150,000
Fuel Consumption (Lbs./hr)	1.9	1.9 / 2.3 / 2.8	4.4 / 5.1 / 5.8	5.5 / 6.2 / 6.9
Maximum Operating Hours	11	10.5	22.7	18
Required Cylinder Lbs.	20	20	100	100
Fuel Type	Propane	Propane	Propane	Propane
Heating Area (Ft. ²)	1,000	1,500	3,125	3,800
Air Flow (CFM)	300	300	400	400
Max Outlet Temp (°F)	477	491	500	622
Volts: AC/Hz	120V / 60Hz	120V / 60Hz	120V / 60Hz	120V / 60Hz
Amps	0.6 A	0.6 A	0.8 A	0.8 A

Specifications subject to change without notice.

Features



Missing Parts? Please Call 800-641-6996 For Assistance



**NEVER LEAVE HEATER UNATTENDED WHILE BURNING,
CONNECTED TO A POWER SOURCE, OR WHILE
CONNECTED TO A FUEL SOURCE**

Operation

Propane Supply / Information:

Propane (LP)

This heater is not supplied with a propane cylinder. Use only an approved propane cylinder.

LP Characteristics

- Flammable, explosive under pressure, heavier than air and pools in low areas.
- In its natural state, propane has no odor, but for your safety an odor that smells like rotten cabbage has been added.
- Contact of propane (LP) gas with the skin can cause freeze burns.
- Heater is manufactured for use with propane gas only. DO NOT attempt to convert to any other gas. Such modifications are dangerous and will void the warranty.
- When heater is not in use, LP Cylinder must be turned OFF.
- Be sure that the LP Cylinder is located on a level and stable surface.
- DO NOT use this heater in a basement or below ground level. Propane is heavier than air and will always seek the lowest level. If you suspect a leak, shut off the valve at the LP Cylinder immediately.

The Propane (LP) cylinder must also be equipped with the following

- A collar to protect the gas valve.
- A shut-off valve terminating a LP cylinder valve outlet as specified in the American National Standard for Compressed Gas Cylinder Valve Outlets and Inlets Connections.
- A safety relief valve having direct communications with the vapor space of the LP cylinder.
- The heater must operate on vapor withdrawal from the operating cylinder.

The amount of Propane (LP) used with this heater varies. Both factors are

- The amount of gas in the cylinder of LP.
- The temperature of the LP tank and its surroundings.

Average Temp (°F)	40-GFA 20 / 100 lb. cylinder	60V-GFA-A 20 / 100 lb. cylinder	125V-GFA-A 20 / 100 lb. cylinder	150V-GFA-A 20 / 100 lb. cylinder
32°	1	1	2	2
20°	1	1	2	2
10°	1	1	3	3
0°	1	1	3	3
-10°	2	2	Use Larger Tank	Use Larger Tank
-20°	2	2	Use Larger Tank	Use Larger Tank

The table above shows the minimum number of 100 lb. LP cylinders required in cold weather. Your local LP dealer will help you select the proper LP supply System

▲ CAUTION Propane is safe to use when properly handled. Careless handling of the LP cylinder could result in a fire and or an explosion.

- Always keep LP cylinder fastened and upright.
- Avoid tipping the LP cylinder on its side when connected to a regulator, since this may cause damage to diaphragm in the regulator.
- Handle valves with care.
- Never connect an unregulated LP cylinder to a construction heater.
- DO NOT subject LP cylinder to excessive heat.
- Tightly close the gas shutoff valve on the LP cylinder after each use.
- All fittings must be protected when disconnected from the LP cylinder.
- Never store an LP cylinder inside a building or in the vicinity of an gas burning appliances.

▲ CAUTION The disconnected tank must never be stored in a building, garage or any other enclosed area.



**NEVER LEAVE HEATER UNATTENDED WHILE BURNING,
CONNECTED TO A POWER SOURCE, OR WHILE
CONNECTED TO A FUEL SOURCE**

Operation

Pre-Lighting Instructions:

Connecting the LP Cylinder

▲WARNING Purging and filling of the LP cylinders must be performed by personnel who have been thoroughly trained in accepted LP gas industry procedures. Failure to follow these instructions may result in explosion, fire, severe personal injury or death.

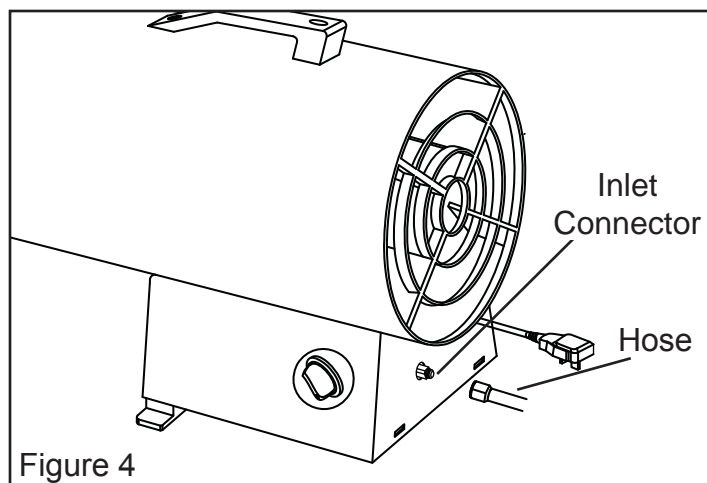
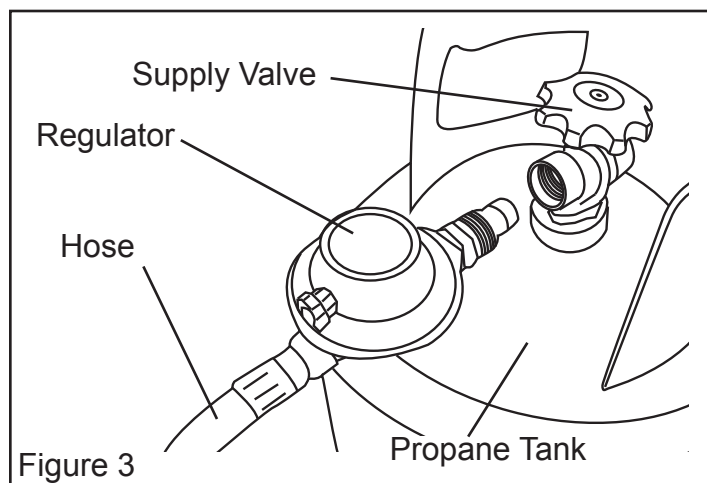
ALL NEW LP CYLINDERS MUST BE PURGED BEFORE THE FIRST FILLING.

- Turn heater gas valve knob and LP cylinder valve to OFF position.
- LP cylinder valve equipped with old style fitting has LEFT HANDED THREADS. Turn fitting CLOCKWISE to loosen. Protect this fitting when disconnected from LP cylinder.
- Have your LP cylinder filled by your local propane gas supplier.
- Some LP cylinders have a bleed-OFF valve. This valve should be inspected for leaks after each filling of the LP cylinder. Turn the valve clockwise to close.
- Fasten full propane tank and connect proper fitting to LP cylinder valve by turning COUNTER-CLOCKWISE.

- With heater gas valve knob still in OFF position turn ON the LP cylinder valve and check for leaks with soap solution.

Checking For Leaks

- To check for leaks, make up a 50/50 solution of dish soap and water. Apply this solution to all gas connections. If bubbles appear, there is a leak. If a leak is found, turn off the gas supply, and re-connect the leaking connection. If the leak persists after several tries, contact Pinnacle Customer Service at (800)-641-6996.
- The installation of this heater must meet all local codes and/or gas utility requirements. In the absence of local codes, the National Fuel Code ANSI Z223.1 should be followed.
- The minimum clearances to any combustible construction materials must be maintained at all times (See Page 2).
- Inspect the heater before each use, and at least annually by a qualified service person.





**NEVER LEAVE HEATER UNATTENDED WHILE BURNING,
CONNECTED TO A POWER SOURCE, OR WHILE
CONNECTED TO A FUEL SOURCE**

Operation

Lighting Instructions:

Starting the Heater (Ignition)

1. Connect the heater to a three prong (grounded) power source. You must use a three prong (grounded) extension cord that is at least 6 feet long is a minimum of 14 AWG rating.
2. Connect heater to a proper LP cylinder.
3. Turn gas valve CLOCKWISE to off position.
4. Wait five (5) minutes for any gas to clear. Smell for gas, if you do not smell gas, go to step 5.
5. Push in and turn gas control knob COUNTERCLOCKWISE to 1 position. This will light the burner. If needed, keep pressing control knob until the burner lights and keep pressing and turning from "O" (OFF) to 1 on Piezo electric spark models (1 on Model 40-GFA). (See Figure 5)
6. Keep the valve knob depressed for at least 30 seconds after lighting the burner. After 30 seconds, release the valve knob.
7. If the burner does not stay lit, repeat the lighting procedures.
8. When burner stays lit, turn gas valve knob COUNTERCLOCKWISE to desired setting (All models except 40-GFA).

Shutdown Instructions

To Shut Off the Heater:

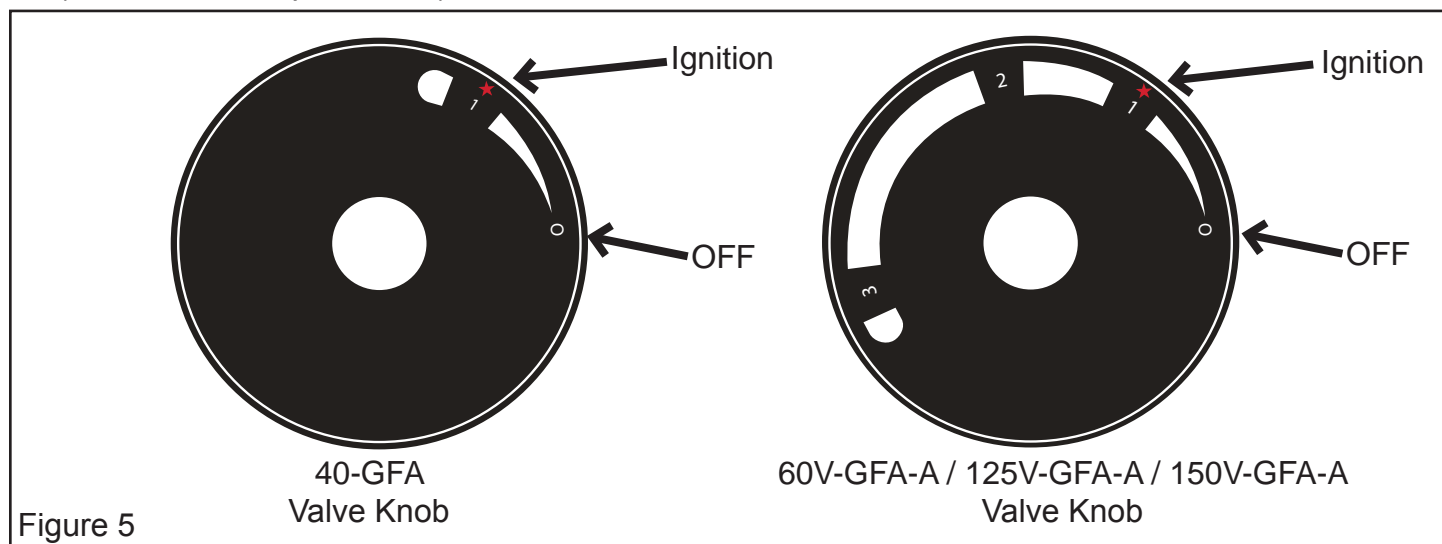
1. Turn gas valve knob CLOCKWISE to "O" (OFF) position. (See Figure 5)
2. Turn gas supply OFF by turning the LP cylinder valve CLOCKWISE to close.
3. Disconnect the power cord.

Test Firing the Heater

Test fire your construction heater following the lighting instructions applicable to the gas control system employed.

Leak test all gas connections with 50/50 soap and water solution prior to start-up. Soap bubbles indicate a gas leak. DO NOT use a match or flame to test for gas leaks.

NOTE: Heater surface temperature must be cold before initiating service, cleaning or storage.





**NEVER LEAVE HEATER UNATTENDED WHILE BURNING,
CONNECTED TO A POWER SOURCE, OR WHILE
CONNECTED TO A FUEL SOURCE**

Ventilation

▲ DANGER CARBON MONOXIDE POISONING MAY LEAD TO DEATH!

- Risk of indoor air pollution and Carbon Monoxide Poisoning. Use heater only in well ventilated areas.
- Refer to Safety Information on pages 1-2 for information about Carbon Monoxide Poisoning.

- **ALWAYS** provide a fresh air opening in the heated space of at least three square feet (2,800 sq. cm) for each 100,000 BTU / Hr. of heater output. Provide a larger opening if more heaters are being used.

As an example, a 150V-GFA-A will require:

- A two car garage door open 6 inches or
- A single car garage door open 9 inches or
- Two thirty two inch wide windows open 15 inches.

Minimum Ventilation Opening Needed			
40-GFA	60V-GFA-A	125V-GFA-A	150V-GFA-A
1.2 ft. ²	1.8 ft. ²	3.8 ft. ²	4.5 ft. ²
1110 cm ²	1670 cm ²	3530 cm ²	4180 cm ²

▲ DANGER Not for use in residential living areas or in non-adequately ventilated enclosed spaces.

Storage / Maintenance

Always disconnect the heater from the LP cylinder before putting the heater into storage. If for any reason the heater is to be stored indoors, the tank **MUST** be disconnected from the LP cylinder, and the cylinder stored outdoors in a well-ventilated area, out of the reach of children, and in accordance with the Standard for Storage and Handling of Petroleum Gases, ANSI/NFPA 58 - latest edition and Natural Gas and Propane Installation Code, CSA B149.1. The plastic valve plug or valve cover supplied with the cylinder must be re-installed on the valve to protect the fitting from damage.

▲ DANGER Never store an LP cylinder inside of a building or near any other gas or oil burning appliances.

NOTE: Installation and repair of this heater should be done by a qualified service person.

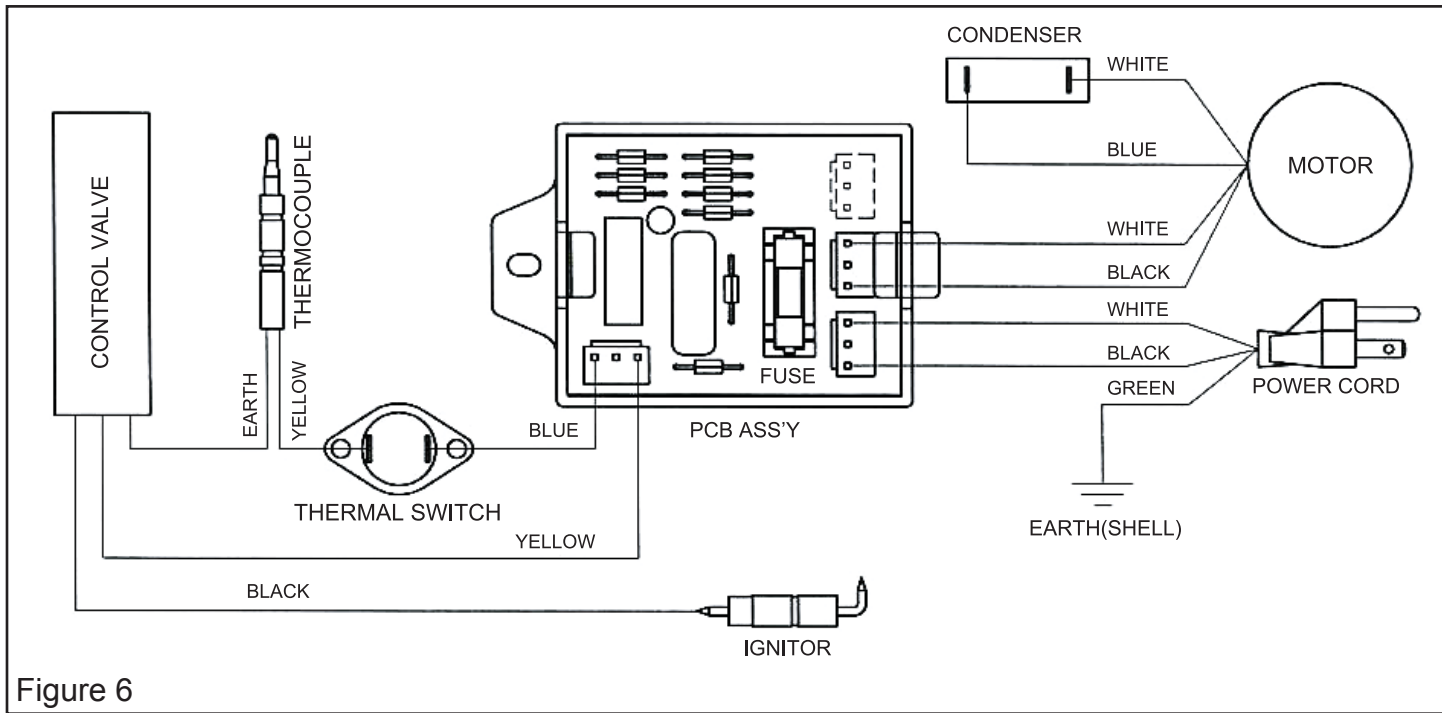
ALWAYS be sure to follow proper maintenance procedures. This should include cleaning the inside of the heater once a month and checking the spark gap at least once a heating season. Re-gap the terminals to 0.160" (4mm)



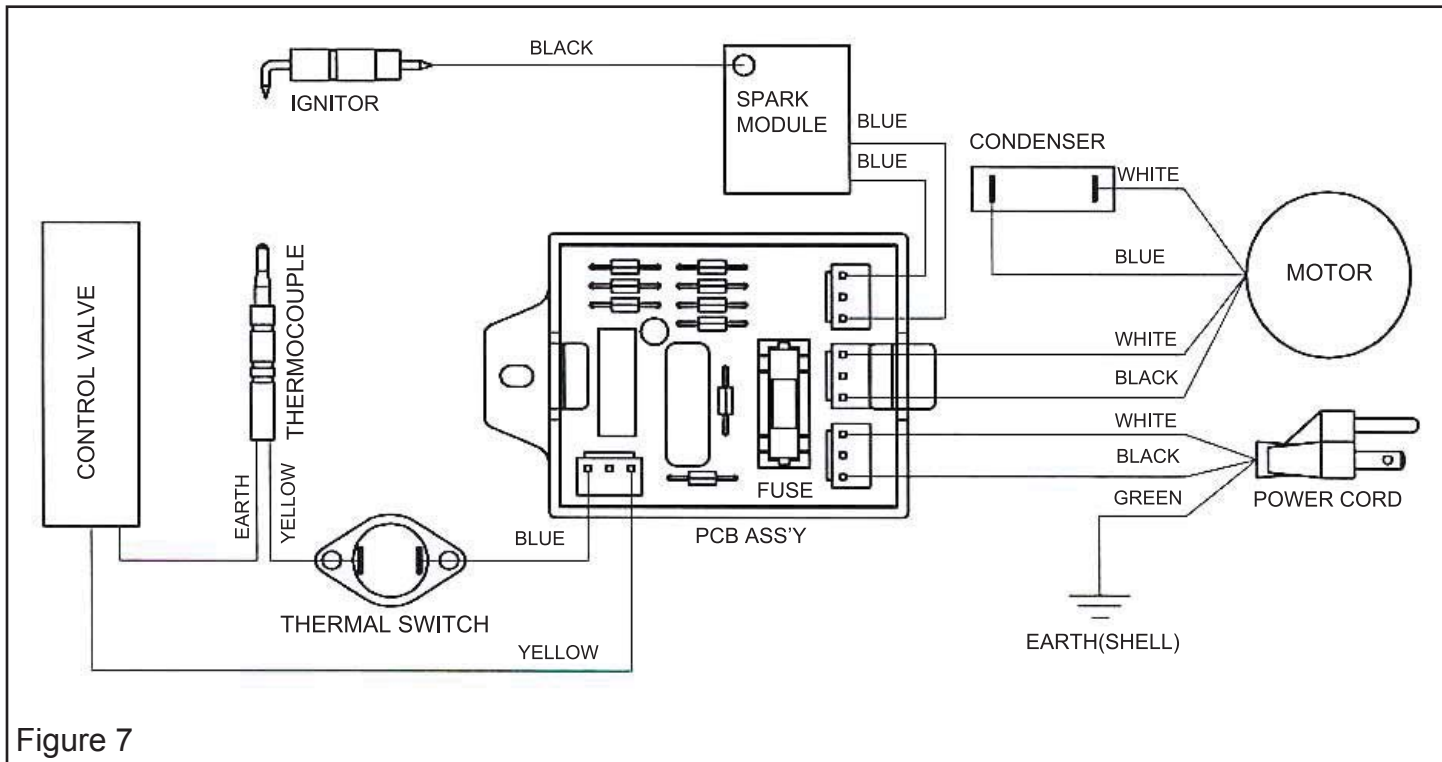
**NEVER LEAVE HEATER UNATTENDED WHILE BURNING,
CONNECTED TO A POWER SOURCE, OR WHILE
CONNECTED TO A FUEL SOURCE**

Wiring Diagrams

40-GFA



60V-GFA-A / 125V-GFA-A / 150V-GFA-A





**NEVER LEAVE HEATER UNATTENDED WHILE BURNING,
CONNECTED TO A POWER SOURCE, OR WHILE
CONNECTED TO A FUEL SOURCE**

Troubleshooting Guide

Locating Your Serial Number:

Your serial number can be found on a white label on the right side cover of your heater. It will begin with the letters "HGF" followed by 8 digits. For Example: HGF12345678. Have your Serial Number ready before calling customer service at 800-641-6996.

Problem	Possible Cause(s)	Solution
Fan does not turn when electricity is connected.	<ol style="list-style-type: none">1. No electric power to heater.2. Blades of fan in contact with heater housing.3. Fan blades bent.4. Fan motor defective.	<ol style="list-style-type: none">1. Check current at outlet. If voltage is correct, inspect extension and power cords for cuts, frays or breaks2. Check housing for damage. Be sure there are no dents in the housing obstructing the fan.3. Straighten all fan blades.4. Replace motor assembly.
Heater will not fire (ignite).	<ol style="list-style-type: none">1. No spark at module.2. Incorrect spark gap.3. Corroded electrode.	<ol style="list-style-type: none">1. Inspect module wire. Re-attach or tighten if loose. Inspect spark module and replace if necessary. Inspect all other electrical components.2. Set plug gap to 0.16" (4 mm).3. Replace spark plug (multi-bracket assembly).
Heater stops running by itself.	<ol style="list-style-type: none">1. Temperature inside heater is too high, causing thermal switch to shut down operation.2. Damaged control valve.3. Dust or Debris accumulated in heater.	<ol style="list-style-type: none">1. If the heater input or output is restricted, the inside temperature can become too hot. Keep the areas in front and behind heater clear of obstructions.2. Replace control valve.3. Clean inside of heater.



**NEVER LEAVE HEATER UNATTENDED WHILE BURNING,
CONNECTED TO A POWER SOURCE, OR WHILE
CONNECTED TO A FUEL SOURCE**

Exploded View

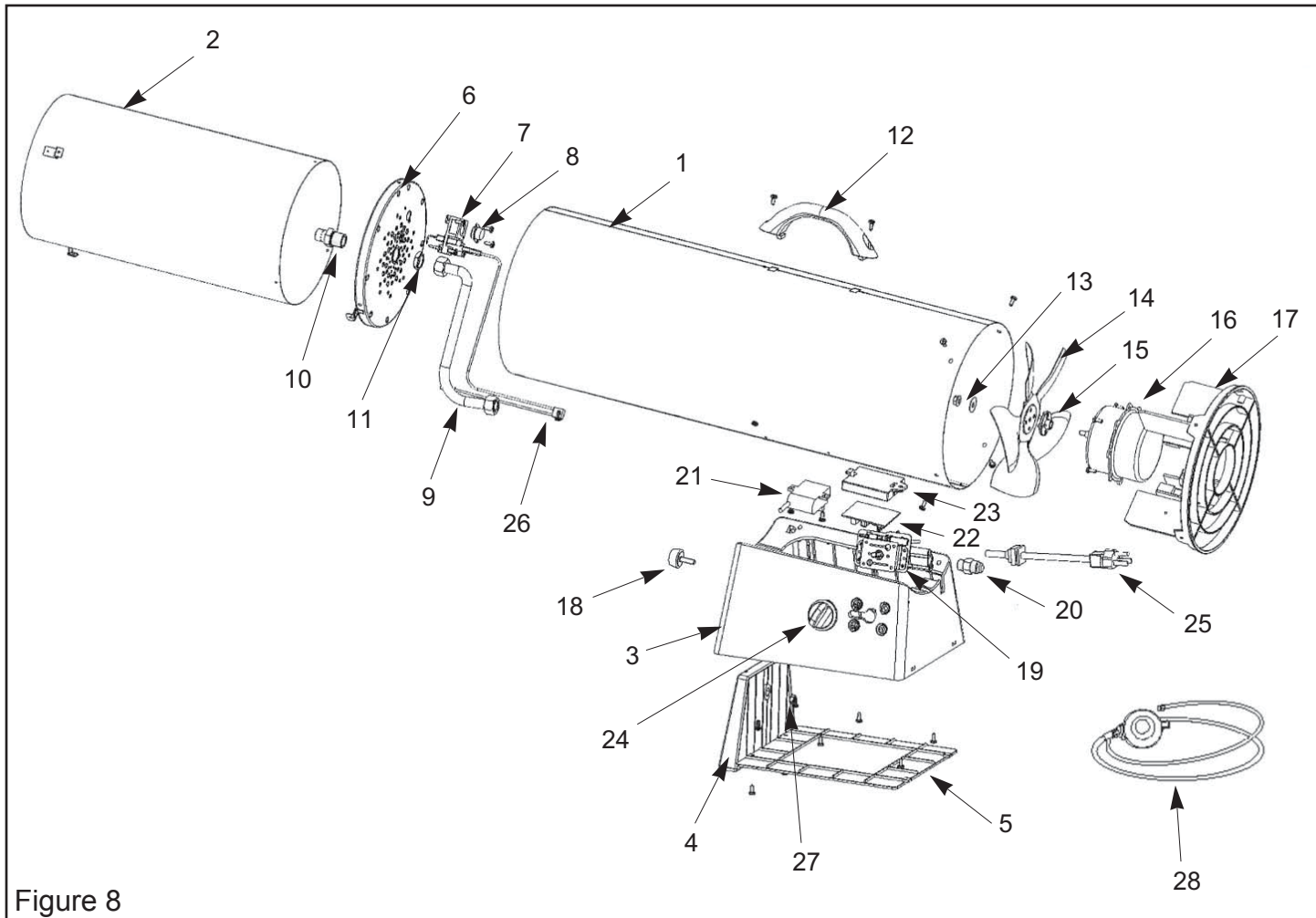


Figure 8



**NEVER LEAVE HEATER UNATTENDED WHILE BURNING,
CONNECTED TO A POWER SOURCE, OR WHILE
CONNECTED TO A FUEL SOURCE**

Parts List

Item #	Description	PT-40-GFA	PT-60V-GFA-A	PT-125V-GFA-A	PT-150V-GFA-A
1	Outer Shell	22-524-0020	22-524-0021	22-524-0022	22-524-0022
2	Inner Shell Assembly	22-524-0004	22-524-0004	22-524-0005	22-524-0005
3	Base	22-501-0003	22-501-0001	22-501-0002	22-501-0002
4	Height Controller	22-512-0005	22-512-0006	22-512-0008	22-512-0008
5	Base Cover	22-508-0003	22-508-0001	22-508-0002	22-508-0002
6	Inner Shell Cap	22-505-0006	22-505-0010	22-505-0011	22-505-0008
7	Multi Bracket Assembly	22-504-0002	22-504-0002	22-504-0003	22-504-0003
8	Thermal Switch	22-603-0001	22-603-0010	22-603-0001	22-603-0001
9	Tubing Assembly	22-605-0001	22-605-0001	22-605-0002	22-605-0003
10	Nozzle	22-081-0007	22-081-0014	22-081-0015	22-081-0004
11	Nozzle Nut	22-518-0001	22-518-0002	22-518-0002	22-518-0002
12	Handle	22-511-0004	22-511-0004	22-511-0004	22-511-0004
13	Flange Hex Nut	22-518-0003	22-518-0003	22-518-0003	22-518-0003
14	Fan	22-514-0001	22-514-0001	22-514-0002	22-514-0002
15	Cushion Pad	22-509-0001	22-509-0001	22-509-0001	22-509-0001
16	Motor Assembly	22-061-0015	22-061-0015	22-061-0016	22-061-0016
17	Guard	22-101-0003	22-101-0003	22-101-0004	22-101-0004
18	Round Bolt	22-503-0002	22-503-0002	22-503-0003	22-503-0003
19	Valve Assembly	22-011-0005	22-011-0017	22-011-0018	22-011-0008
20	Inlet Connector	22-507-0003	22-507-0003	22-507-0003	22-507-0003
21	Spark Module	–	22-604-0005	22-604-0005	22-604-0005
22	PCB Assembly	22-521-0001	22-521-0002	22-521-0002	22-521-0002
23	PCB Case	22-506-0001	22-506-0001	22-506-0001	22-506-0001
24	Valve Knob	22-516-0001	22-516-0001	22-516-0001	22-516-0001
25	Power Cord Assembly	22-131-0001	22-131-0001	22-131-0001	22-131-0001
26	Thermal Switch Cable	22-601-0001	22-601-0001	22-601-0001	22-601-0001
27	Hex Nut	22-518-0004	22-518-0004	22-518-0004	22-518-0004
28	Regulator Assembly	22-041-0004	22-041-0004	22-041-0005	22-041-0005



**NEVER LEAVE HEATER UNATTENDED WHILE BURNING,
CONNECTED TO A POWER SOURCE, OR WHILE
CONNECTED TO A FUEL SOURCE**

LIMITED WARRANTY

Pinnacle Products International, Inc. warrants this heater to the original retail purchaser only, to be free from defects in material and workmanship for a period of one (1) year from the date of initial purchase. This product must be properly installed, maintained and operated in accordance with the instructions provided.

Pinnacle Products International, Inc. requires reasonable proof of your date of purchase from an authorized retailer or distributor. Therefore, you should keep your sales slip, invoice or cancelled check from the original purchase. This Limited Warranty shall be limited to the repair or replacement of parts, which prove defective under normal use and service within the warranty period, and which **Pinnacle Products International, Inc.** shall determine at its reasonable discretion.

This warranty does not apply to products purchased for rental use.

This Limited Warranty does not cover any failures or operating difficulties due to normal wear and tear, accident, abuse, misuse, alteration, misapplication, improper installation or improper maintenance and service by you or any third part. Failure to perform normal and routine maintenance on the heater, shipping damage, damage related to insects, birds or animals of any kind, and damage due to weather conditions are also not covered.

In addition, the Limited Warranty does not cover damage to the finish, such as scratches, dents, discoloration, rust or other weather damage, after purchase.

All transportation costs for the return of damaged product or parts will be the responsibility of the purchaser.

Upon receipt of damaged item, **Pinnacle Products International, Inc.** will examine the item and determine if defective. **Pinnacle Products International, Inc.** will repair or replace and return the item, freight pre-paid.

If **Pinnacle Products International, Inc.** finds the item to be in normal operating condition, or not defective the item will be returned freight collect. This Limited Warranty is in lieu of all other express warranties. **Pinnacle Products International, Inc.** disclaims all warranties for products that are purchased from sellers other than authorized dealers or distributors.

AFTER THE PERIOD OF THE ONE (1) YEAR EXPRESS WARRANTY EXPIRES, **Pinnacle Products International, Inc.** DISCLAIMS ANY AND ALL IMPLIED WARRANTIES, INCLUDING WITHOUT LIMITATION THE IMPLIED WARRANTIES OF MERCHANTABILITY AND FITNESS FOR A PARTICULAR APPLICATION. FURTHER, **Pinnacle Products International, Inc.** SHALL HAVE NO LIABILITY WHATSOEVER TO PURCHASER OR ANY THIRD PARTY FROM ANY SPECIAL, INDIRECT, PUNITIVE INCIDENTAL, OR CONSEQUENTIAL DAMAGES. **Pinnacle Products International, Inc.** assumes no responsibility for any defects caused by third parties. This Limited Warranty gives the purchaser specific legal rights; a purchaser may have other rights depending upon where he or she lives. Some states do not allow the exclusion or limitation of special, incidental or consequential damages, or limitations on how long a warranty lasts, so the above exclusion and limitations may not apply to you.

Pinnacle Products International, Inc. does not authorize any person or company to assume for it any other obligation or liability in connection with the sale, installation, use, removal, return or replacement of its equipment, and no such representations are binding on **Pinnacle Products International, Inc.**

Always be sure to specify the model number and serial number when making any claim with **Pinnacle Products International, Inc.** For your convenience, use the space provided below to list this information.

Register Your Product Online at: http://www.protemp.us/Product_Registration.php

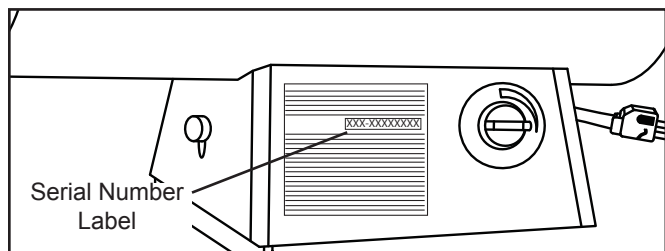
Locating Your Serial Number:

Your serial number can be found on a white label on the right side cover of your heater. It will begin with the letters "HGF" followed by 8 digits. For Example: HGF12345678. Have your Serial Number ready before calling customer service at 800-641-6996.

Model #: _____

Serial #: _____

Date of Purchase: _____





© 2013 Pinnacle Products International, Inc.
668 Stony Hill Road #302 Yardley, PA 19067 USA • Toll Free (800)-641-6996
Fax: (215)-891-8461 • Web: www.pinnacleint.com • Email: info@pinnacleint.com